



US00D380448S

# United States Patent [19] Tung

[11] Patent Number: Des. 380,448

[45] Date of Patent: \*\*Jul. 1, 1997

[54] FOOT DIMMER SWITCH

D. 343,826 2/1994 Krebs et al. .... D13/168

[76] Inventor: Pao-Chih Tung, No. 155, Chien-I Rd.,  
Chung Ho City, Taipei Hsien, Taiwan

Primary Examiner—A. Hugo Word  
Assistant Examiner—Lavone D. Tabor  
Attorney, Agent, or Firm—Pro-Techtor International

[\*\*] Term: 14 Years

### [57] CLAIM

[21] Appl. No.: 47,201

The ornamental design for a foot dimmer switch, as shown and described.

[22] Filed: Nov. 28, 1995

### DESCRIPTION

[51] LOC (6) Cl. .... 13-03

[52] U.S. Cl. .... D13/167

[58] Field of Search ..... D13/158, 167,  
D13/168, 171; 200/5 R, 5 A, 86.5; 74/512;  
297/71, 330

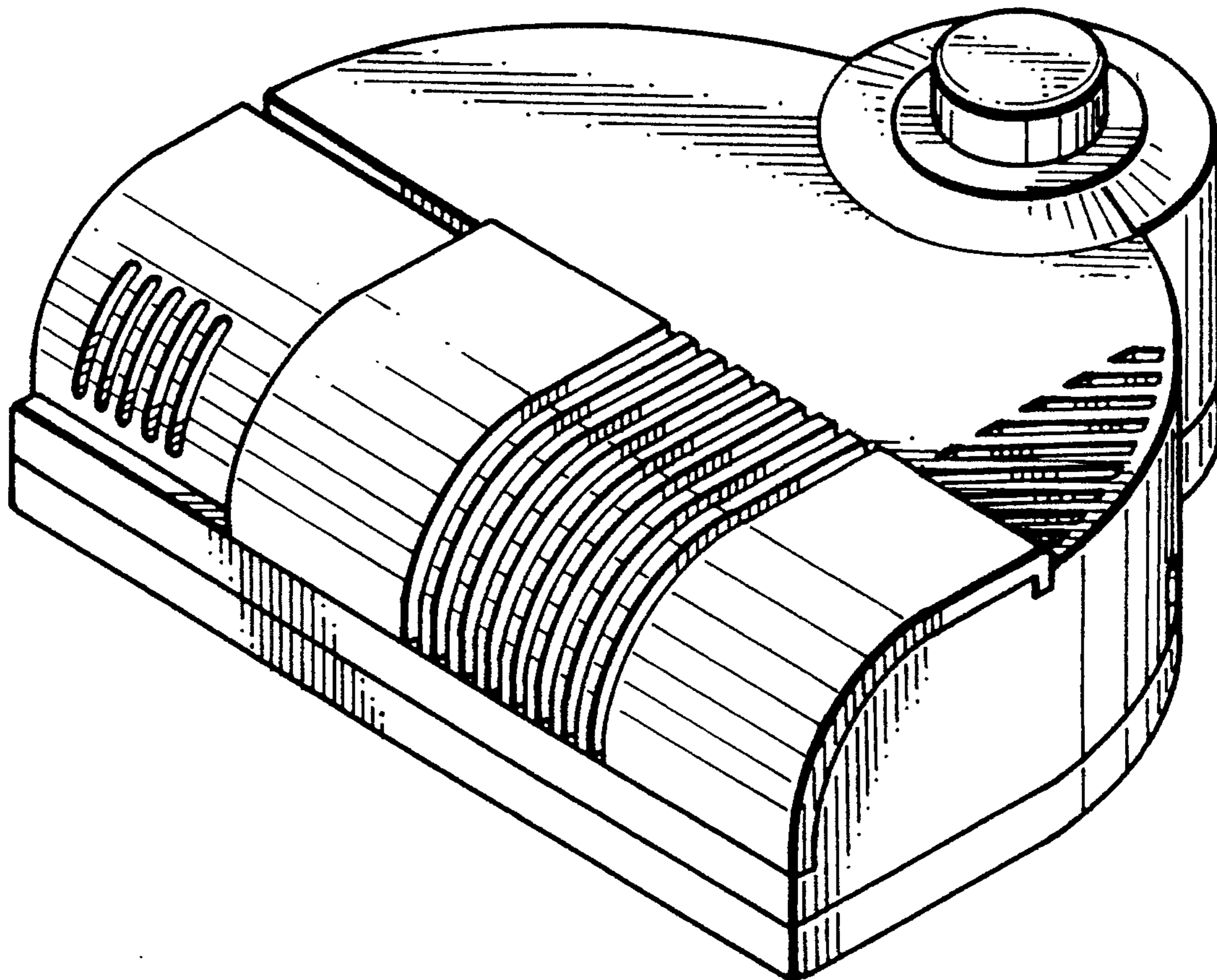
FIG. 1 is a perspective view showing the foot dimmer switch in accordance with the present invention; FIG. 2 is a front elevational view thereof; FIG. 3 is a rear elevational view thereof; FIG. 4 is a left-hand side elevational view thereof; FIG. 5 is a right-hand side elevational view thereof; FIG. 6 is a top plan view thereof; and, FIG. 7 is a bottom plan view thereof.

### [56] References Cited

#### U.S. PATENT DOCUMENTS

- D. 144,640 5/1946 Stone ..... D13/167
- D. 281,776 12/1985 Griffin ..... D13/168
- D. 316,249 4/1991 King-Pei ..... D13/167

1 Claim, 4 Drawing Sheets



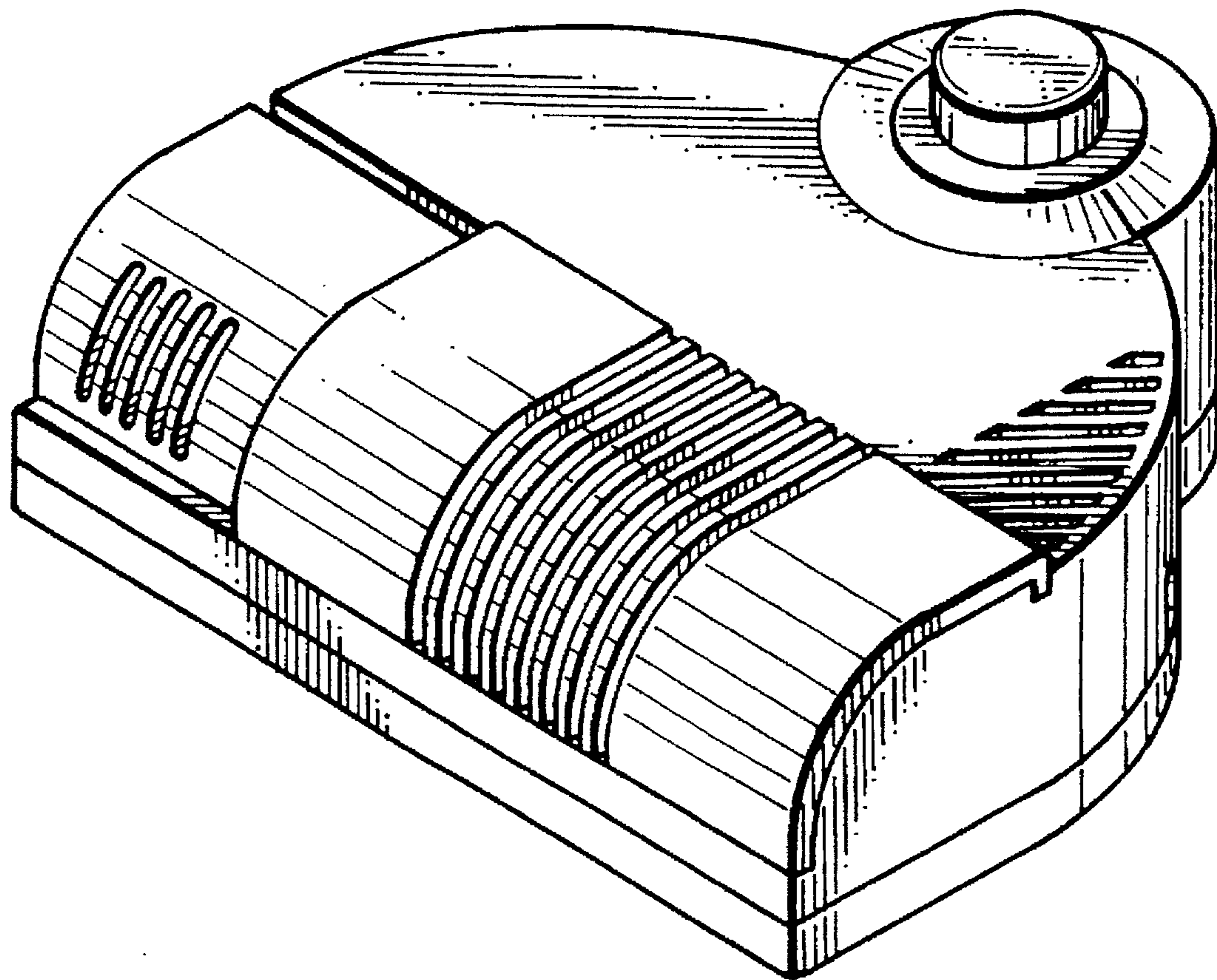


FIG. 1

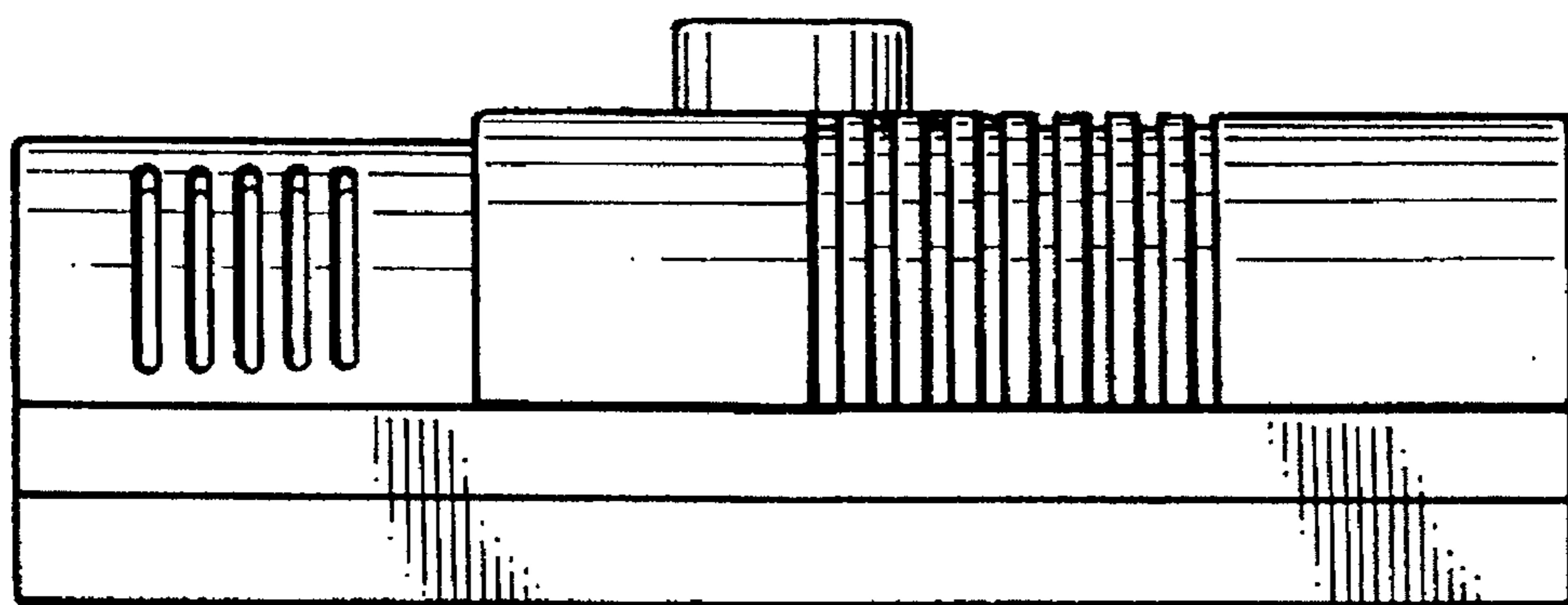


FIG. 2

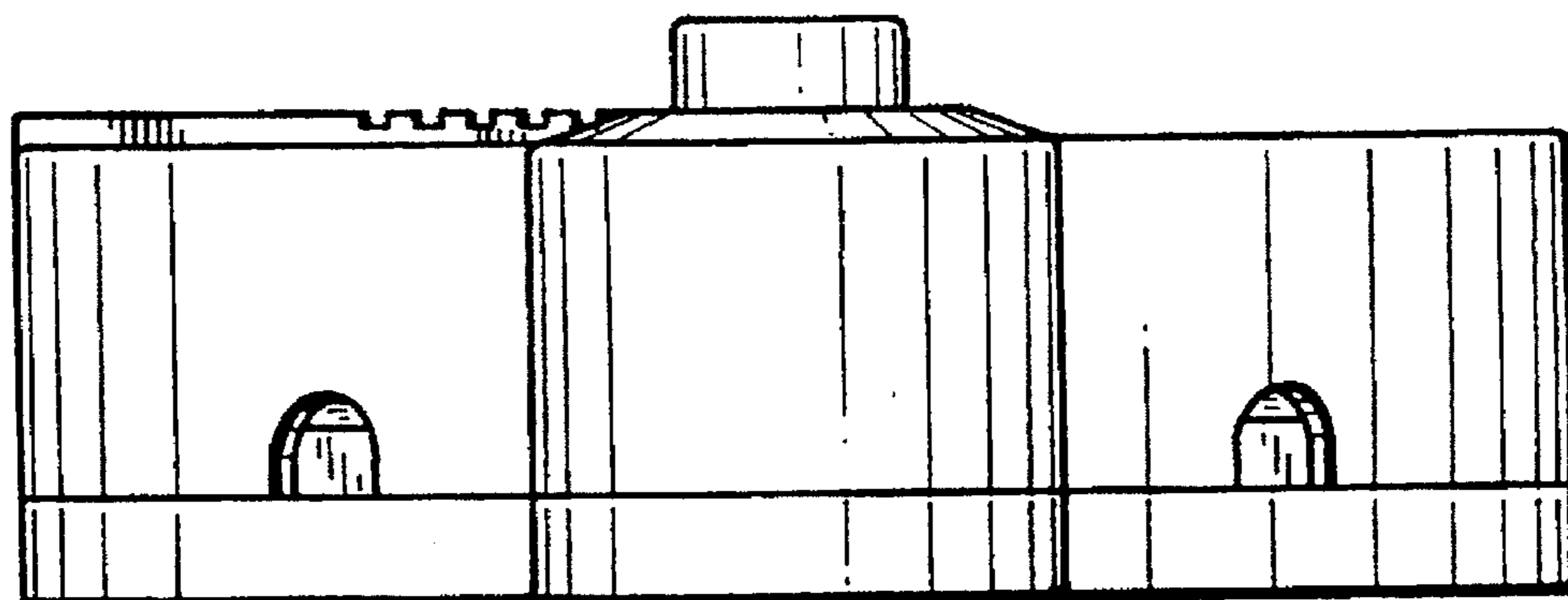


FIG. 3

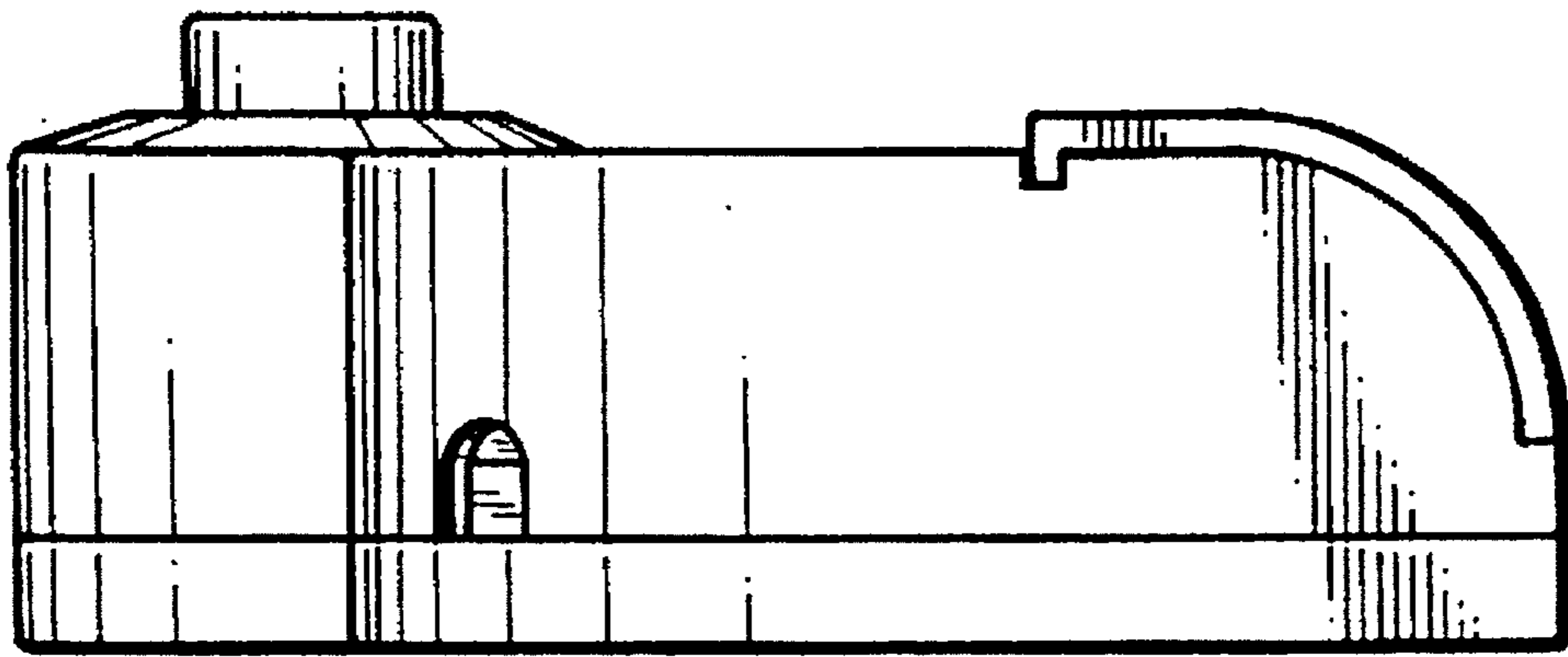


FIG. 4

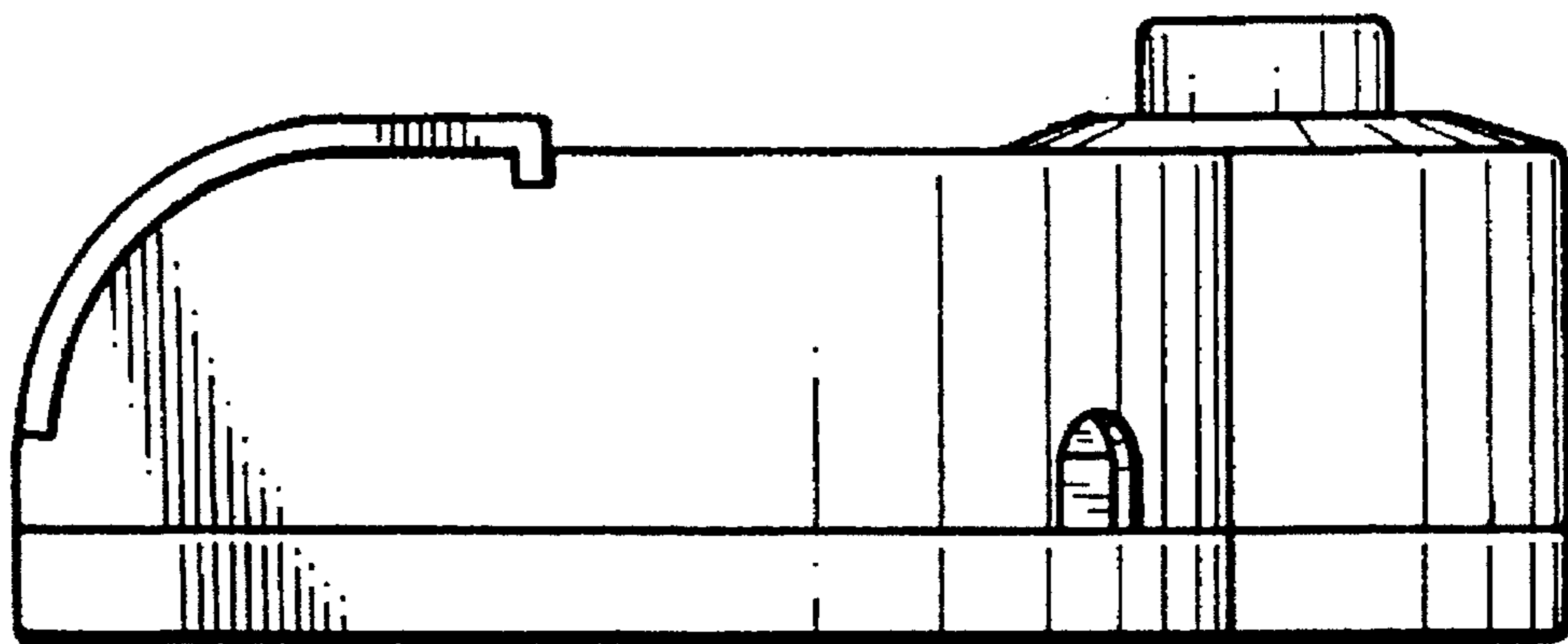


FIG. 5



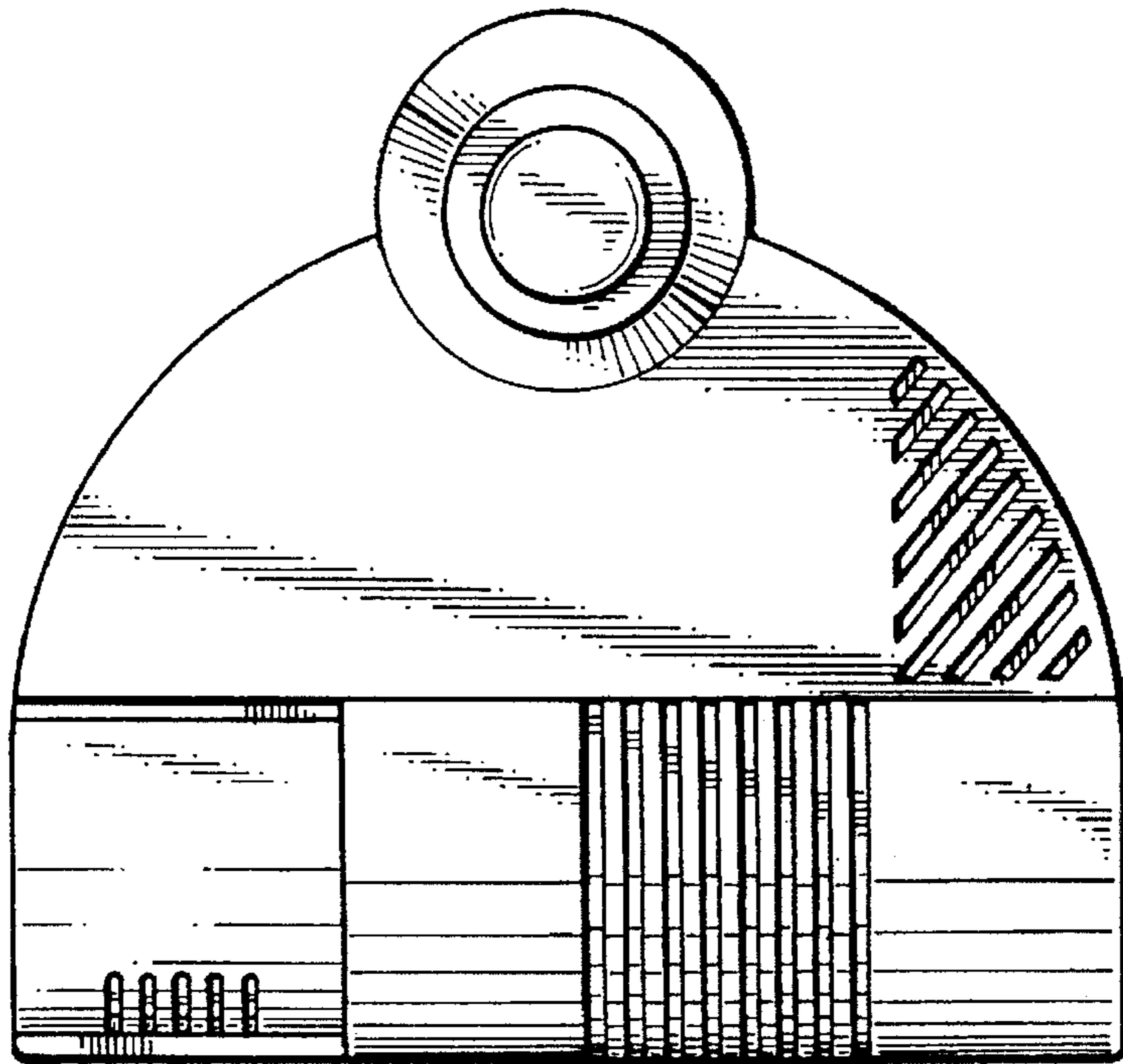


FIG. 6

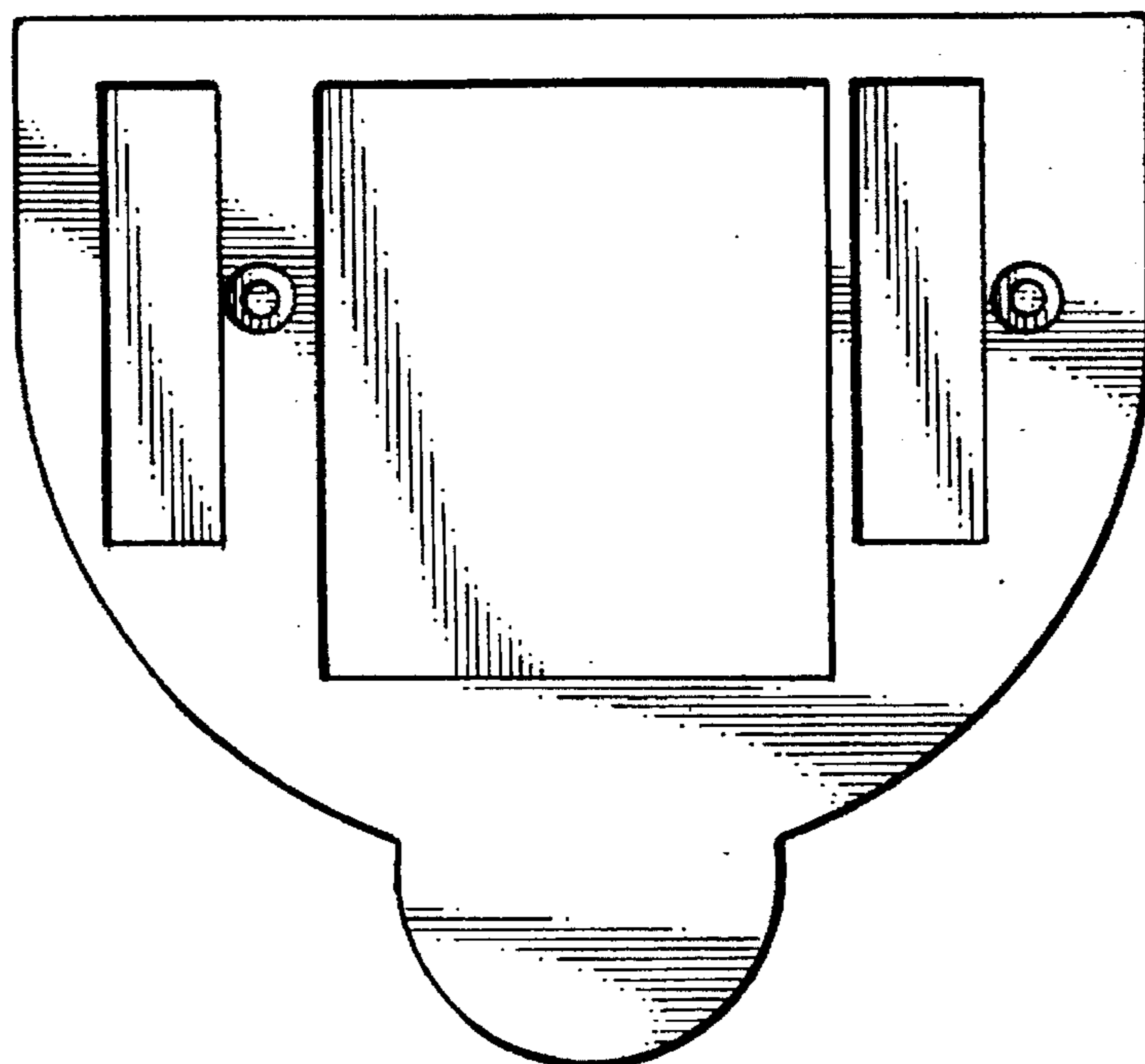


FIG. 7