



US00D380445S

United States Patent [19]

[11] Patent Number: **Des. 380,445**

Doerr et al.

[45] Date of Patent: ****Jul. 1, 1997**

[54] **RESISTOR ARRANGEMENT FOR A FAN FOR MOTOR VEHICLES**

[75] Inventors: **Karl-Heinz Doerr**, Wuelfrath;
Hans-Joachim Heinze, Witten;
Karlheinz Neumann, Remscheid;
Peter Stricker, Sprockhoevel, all of Germany

[73] Assignee: **Stannol Loetmittelfabrik Wilhelm Paff GmbH & Co. KG**, Wuppertal, Germany

[**] Term: **14 Years**

[21] Appl. No.: **51,463**

[22] Filed: **Mar. 11, 1996**

[30] **Foreign Application Priority Data**

Dec. 27, 1995 [DE] Germany M-95-10-128.4

[51] LOC (6) Cl. **13-03**

[52] U.S. Cl. **D13/125**

[58] Field of Search **D13/125; 338/92**

[56] **References Cited**

U.S. PATENT DOCUMENTS

D. 237,277 10/1975 Oka D13/125
3,456,228 7/1969 Wright 338/92

Primary Examiner—Doris Clark
Attorney, Agent, or Firm—McAulay Fisher Nissen Goldberg & Kiel, LLP

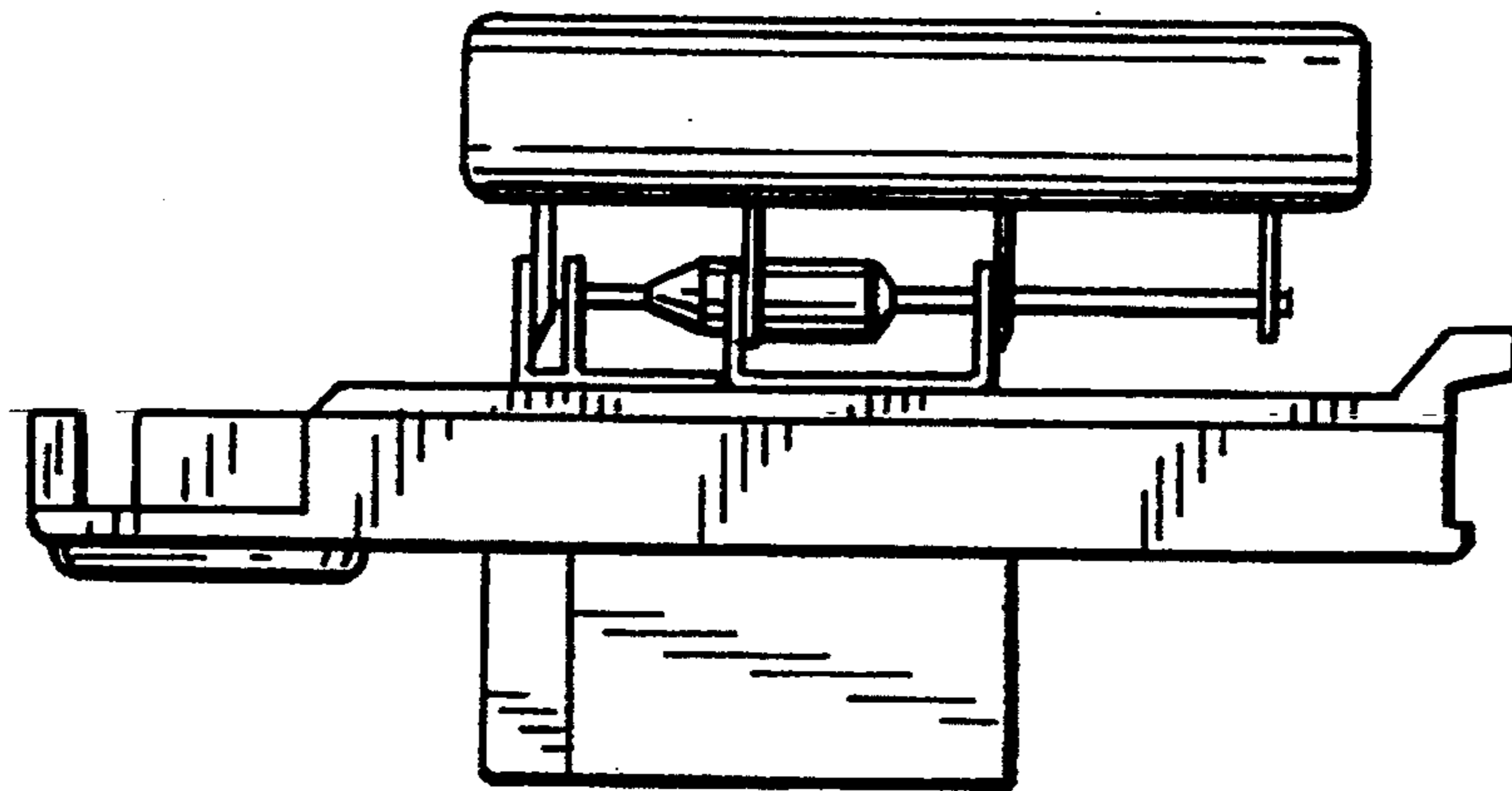
[57] **CLAIM**

The ornamental design for a resistor arrangement for a fan for motor vehicles, as shown and described.

DESCRIPTION

FIG. 1 is a front elevational view;
FIG. 2 is a right end view;
FIG. 3 is a left end view;
FIG. 4 is a top plan view;
FIG. 5 is a bottom plan view; and,
FIG. 6 is a rear elevational view.

1 Claim, 1 Drawing Sheet



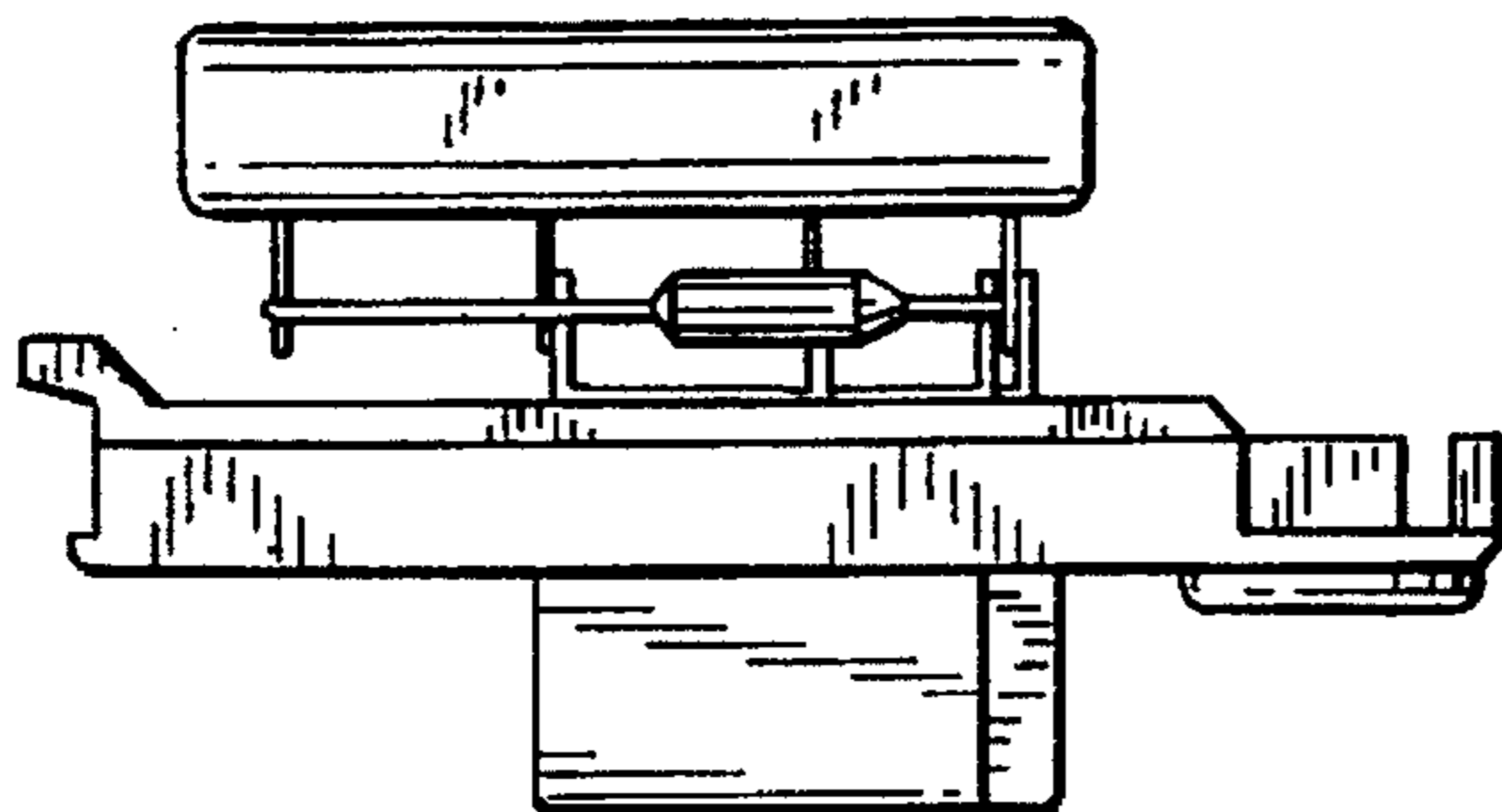


FIG. 1

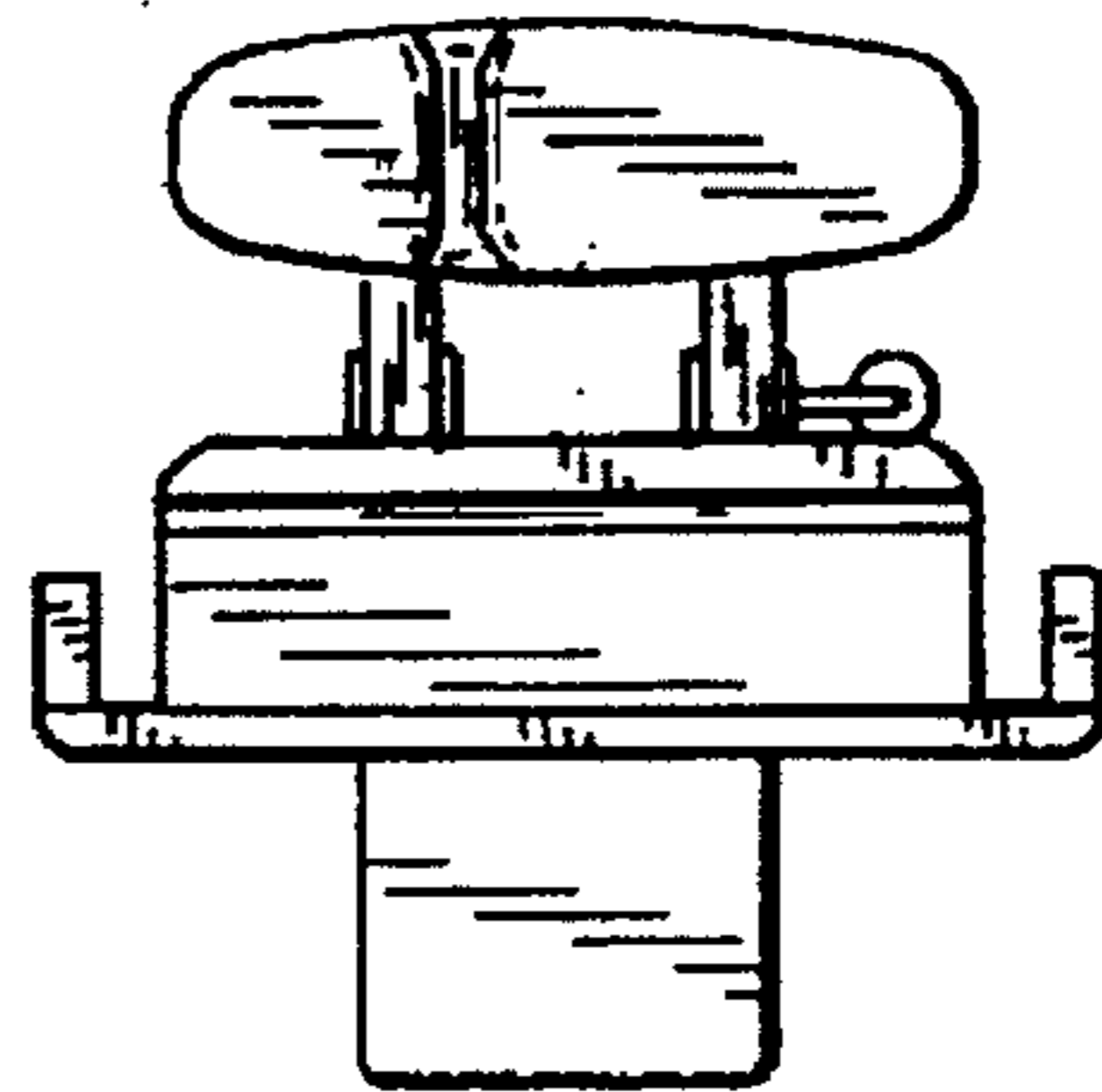


FIG. 2

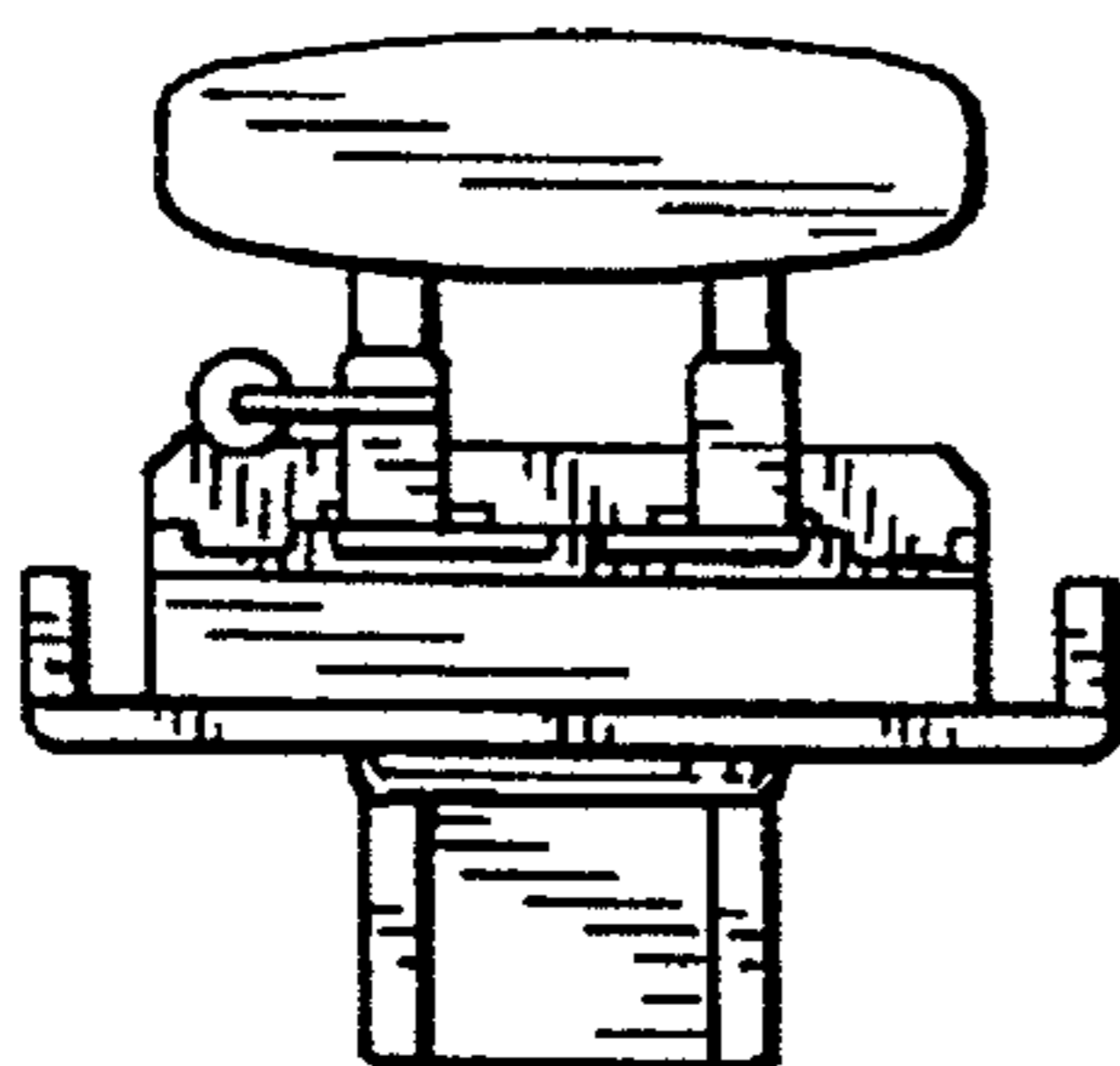


FIG. 3

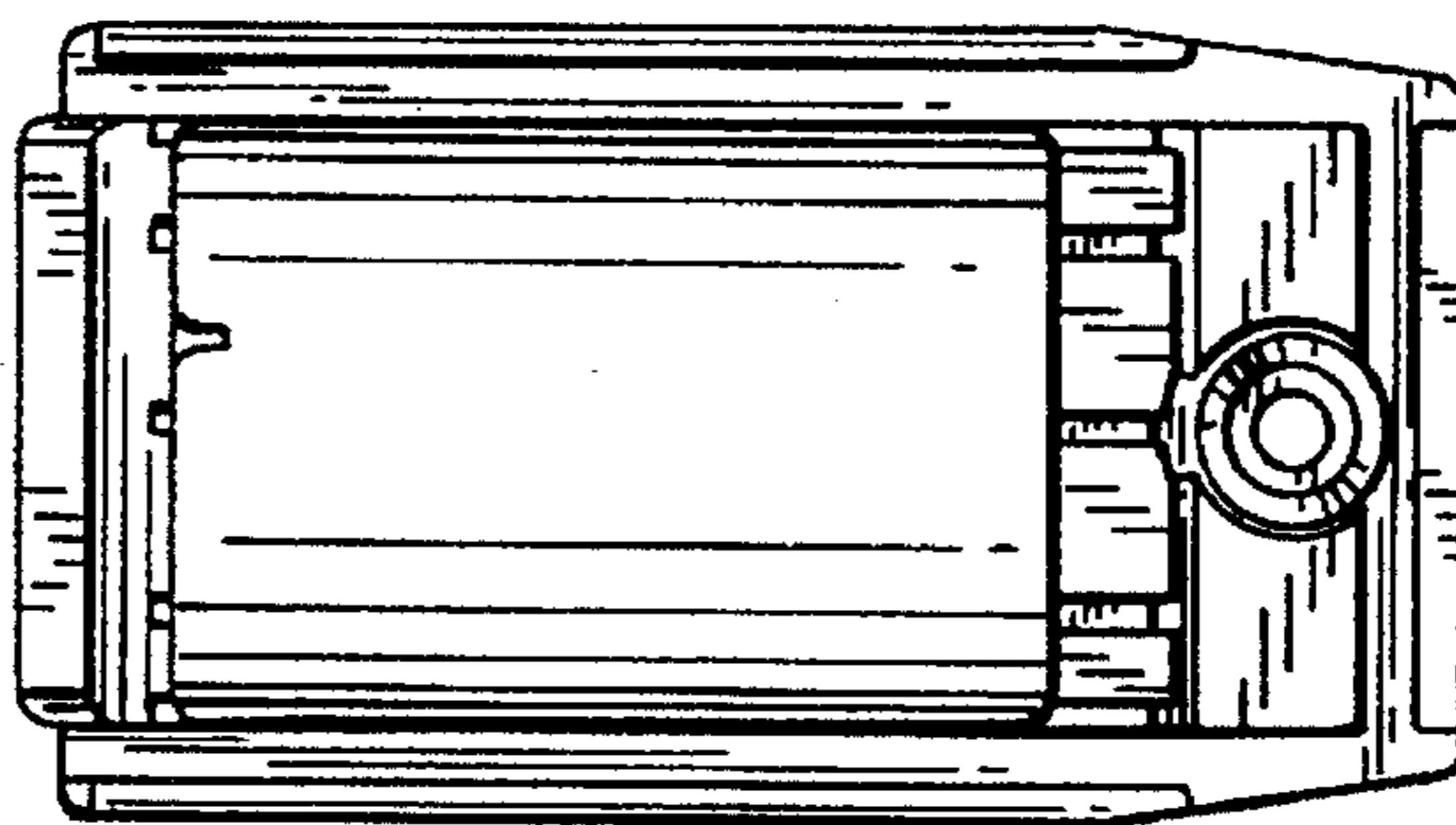


FIG. 4

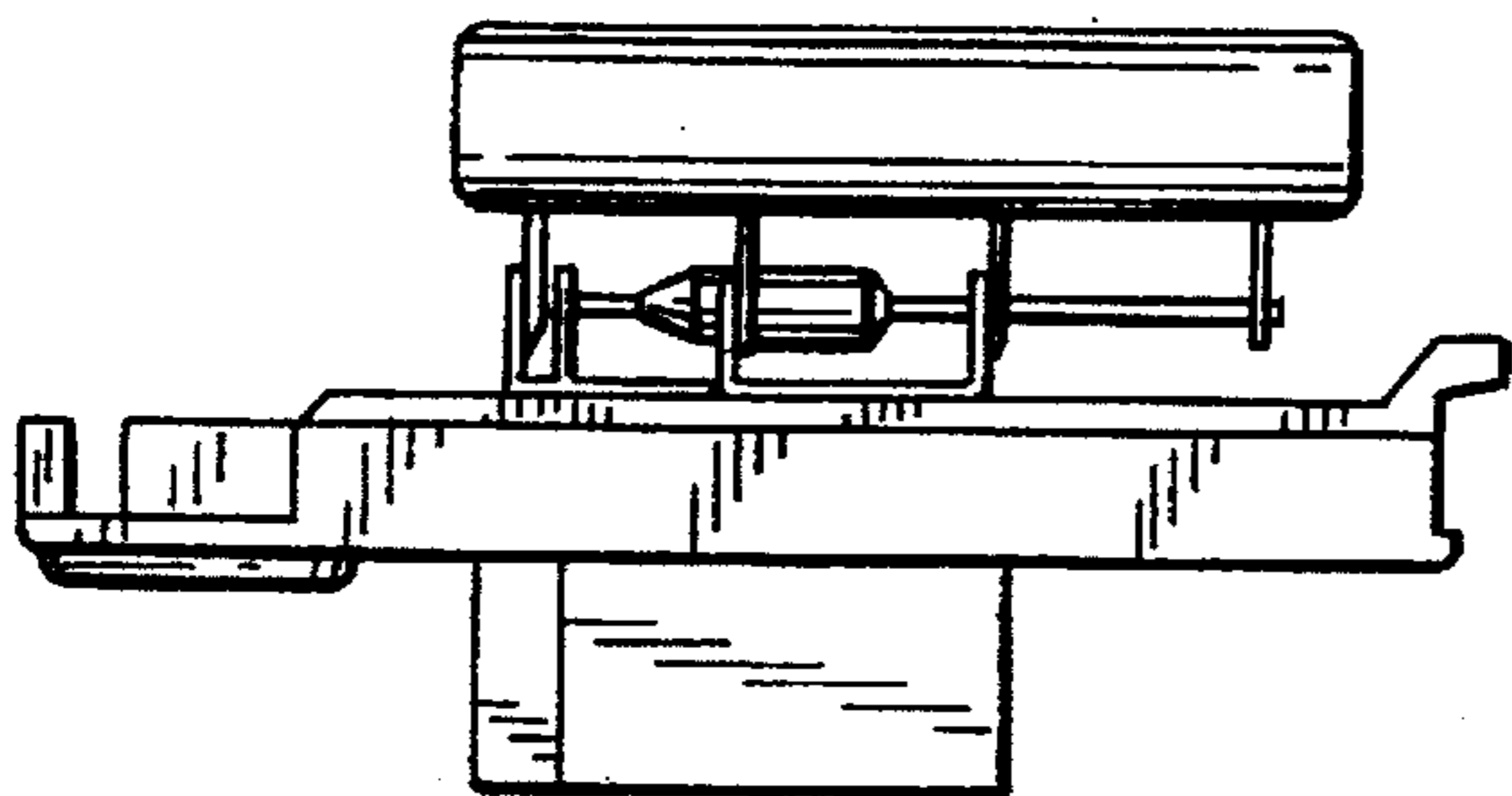


FIG. 6

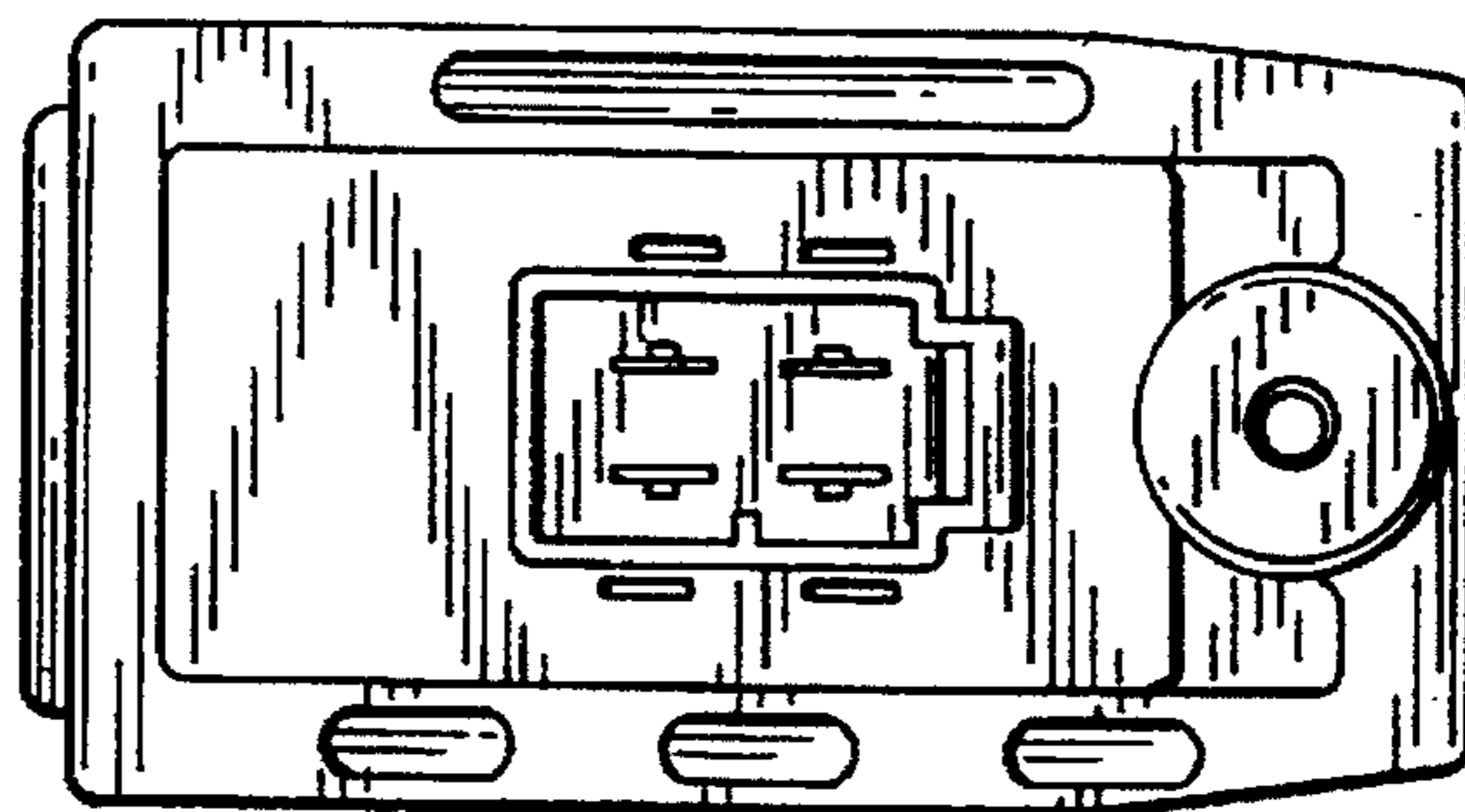


FIG. 5