



US00D380443S

United States Patent [19]

Ahn et al.

[11] Patent Number: **Des. 380,443**

[45] Date of Patent: ****Jul. 1, 1997**

[54] **FLUORESCENT LAMP BALLAST** 4,766,406 8/1988 Kurgan et al. 336/65
 4,916,363 4/1990 Burton et al. 174/DIG. 2 X
 [75] Inventors: **Youngkee Ahn**, Buffalo Grove; **Petr Kacena**, Chicago, both of Ill. 5,249,099 9/1993 Sridharan et al. 174/DIG. 2 X
 5,446,617 8/1995 Blocher et al. 361/674
 5,510,762 4/1996 Carey et al. 174/DIG. 2 X

[73] Assignee: **Motorola, Inc.**, Schaumburg, Ill.

[**] Term: **14 Years**

[21] Appl. No.: **44,691**

[22] Filed: **Sep. 29, 1995**

[51] LOC (6) Cl. **13-02**

[52] U.S. Cl. **D13/110**

[58] Field of Search D13/110; 174/DIG. 2;
 336/90, 96; 361/674

Primary Examiner—Antoine Duval Davis
Attorney, Agent, or Firm—Gary J. Cunningham

[57] CLAIM

The ornamental design for a fluorescent lamp ballast, as shown and described.

DESCRIPTION

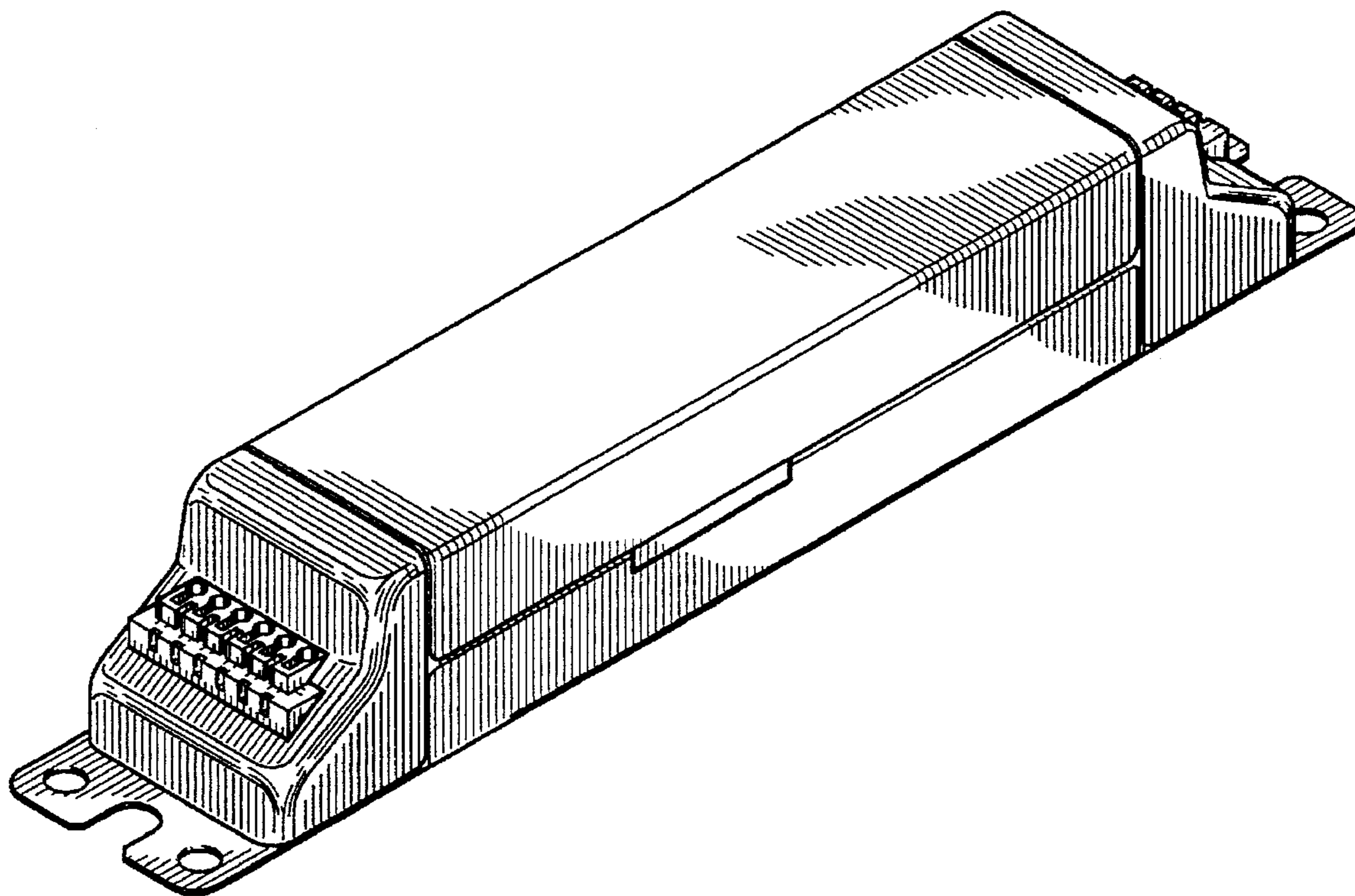
FIG. 1 is a perspective view of said “fluorescent lamp ballast” showing our new design;
 FIG. 2 is a rear elevational view of our new design;
 FIG. 3 is a left side elevational view thereof; and,
 FIG. 4 is a bottom plan view thereof.

[56] References Cited

U.S. PATENT DOCUMENTS

D. 356,551 3/1995 Ahn D13/110

1 Claim, 1 Drawing Sheet



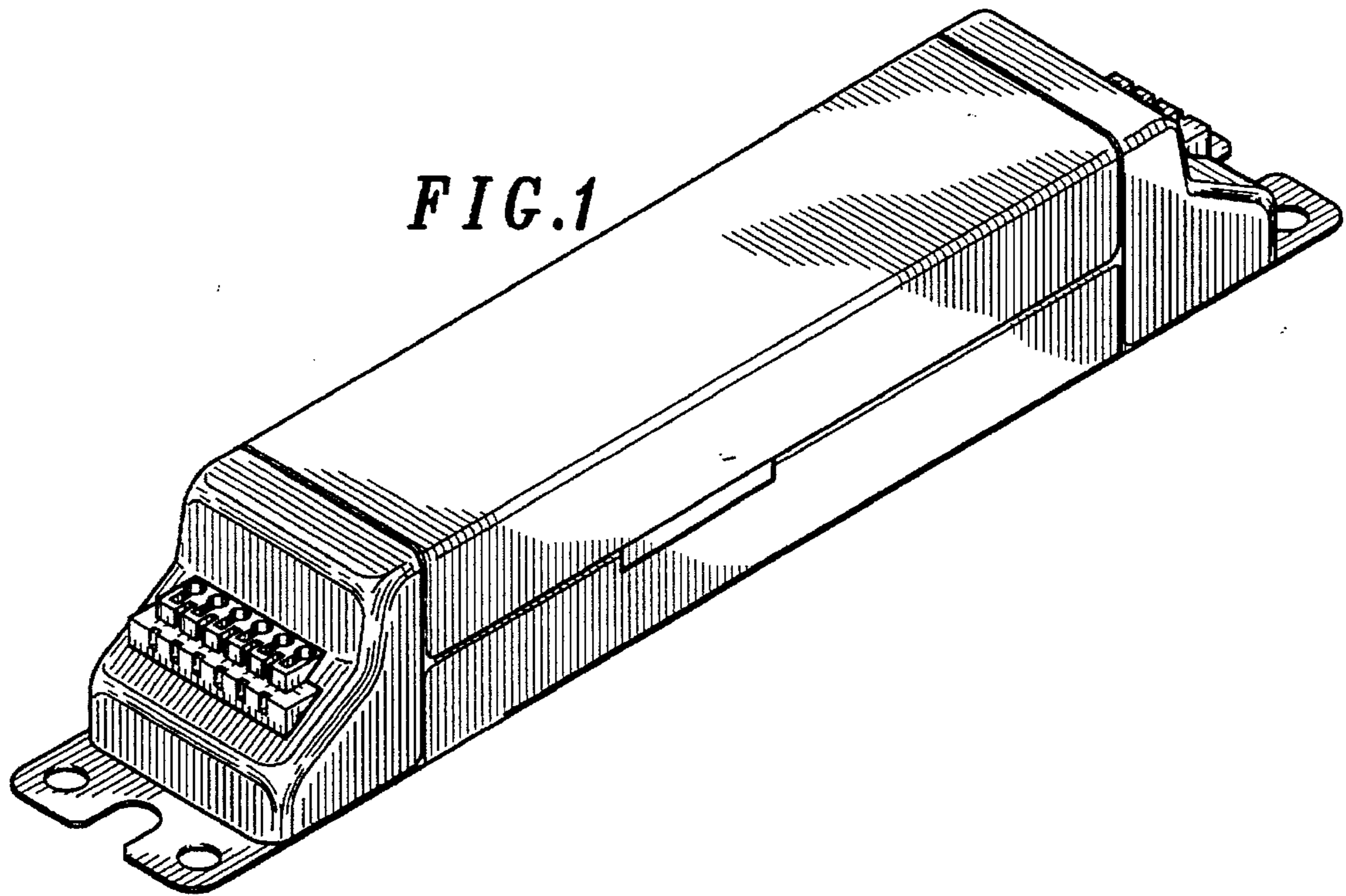


FIG. 2

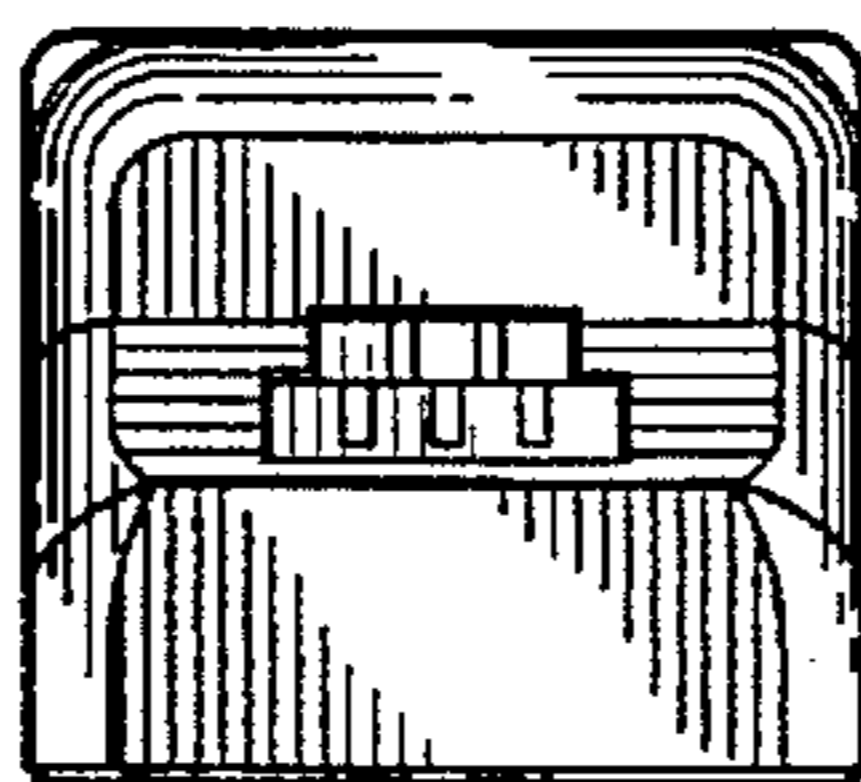


FIG. 3

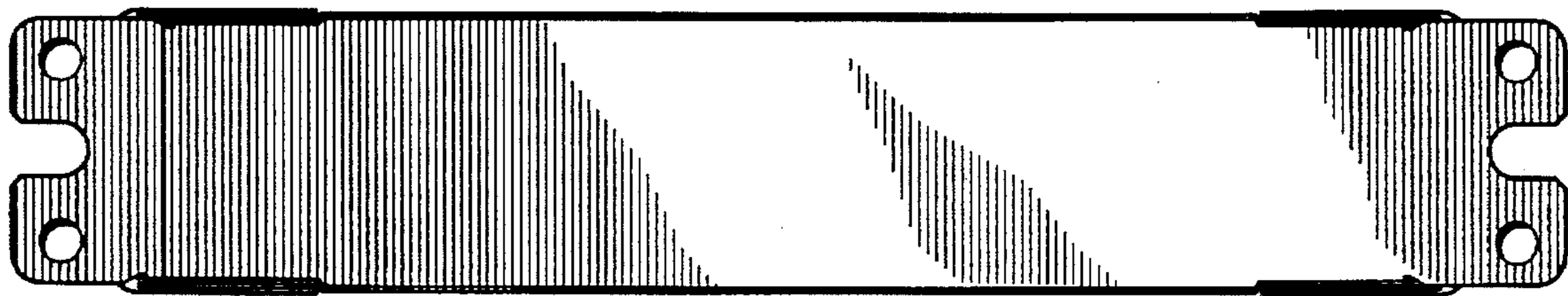
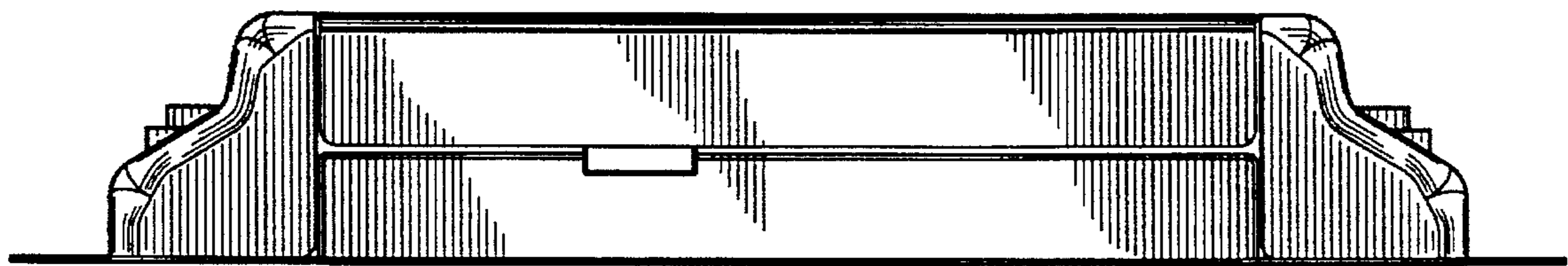


FIG. 4