



US00D380441S

United States Patent [19]
Fukuhara et al.

[11] **Patent Number: Des. 380,441**
[45] **Date of Patent: **Jul. 1, 1997**

[54] **ROOF PLATE WITH SOLAR BATTERY**

4,300,535 11/1981 Munroe 126/621 X
4,718,404 1/1988 Sadler 126/621 X

[75] Inventors: **Tadashi Fukuhara; Jun Miyata**, both of Fukaya; **Kimitoshi Fukae**, Nara; **Yuji Inoue**, Nara; **Masahiro Mori**, Nara, all of Japan

Primary Examiner—Antoine Duval Davis
Attorney, Agent, or Firm—Fitzpatrick, Cella, Harper & Scinto

[73] Assignee: **Canon Kabushiki Kaisha**, Tokyo, Japan

[57] **CLAIM**

[**] Term: **14 Years**

The ornamental design for a roof plate with solar battery, as shown and described.

[21] Appl. No.: **44,645**

DESCRIPTION

[22] Filed: **Sep. 28, 1995**

FIG. 1 is a front elevational view of a roof plate with solar battery showing our new design;

[30] **Foreign Application Priority Data**

Mar. 31, 1995 [JP] Japan 7-8898

FIG. 2 is a rear elevational view thereof;

[51] **LOC (6) Cl.** **13-02**

FIG. 3 is a left side elevational view thereof;

[52] **U.S. Cl.** **D13/102**

FIG. 4 is a right side elevational view thereof;

[58] **Field of Search** D13/102; D25/32; 52/200; 126/621, 622, 623, 635, 704

FIG. 5 is a top plan view thereof;

FIG. 6 is a bottom plan view thereof;

[56] **References Cited**

FIG. 7 is a perspective view seen from front right side of top plan thereof; and,

FIG. 8 is a perspective view seen from rear left side of bottom plan thereof.

U.S. PATENT DOCUMENTS

4,237,866 12/1980 Rush 126/635

1 Claim, 5 Drawing Sheets

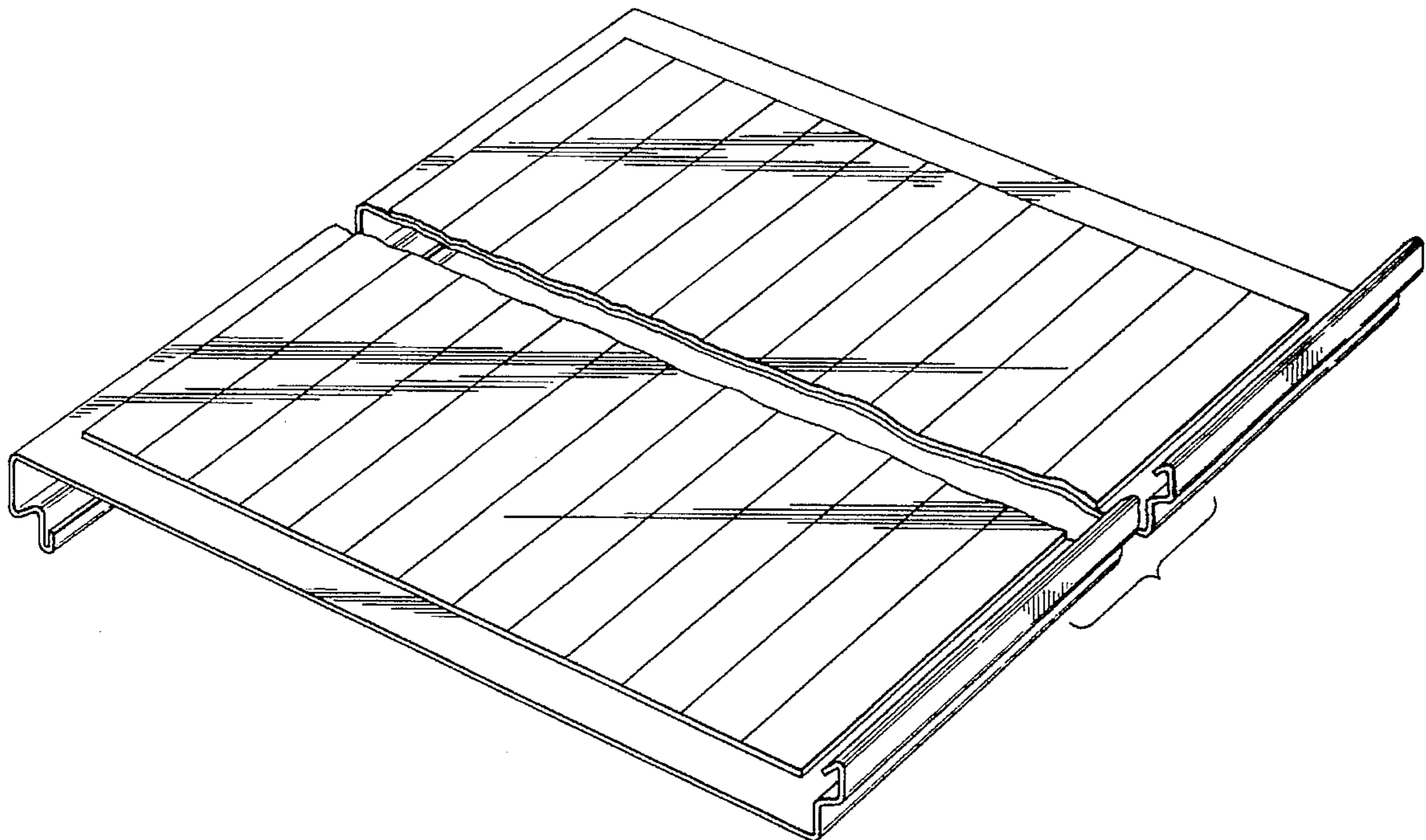


FIG. 1



FIG. 2



FIG. 3

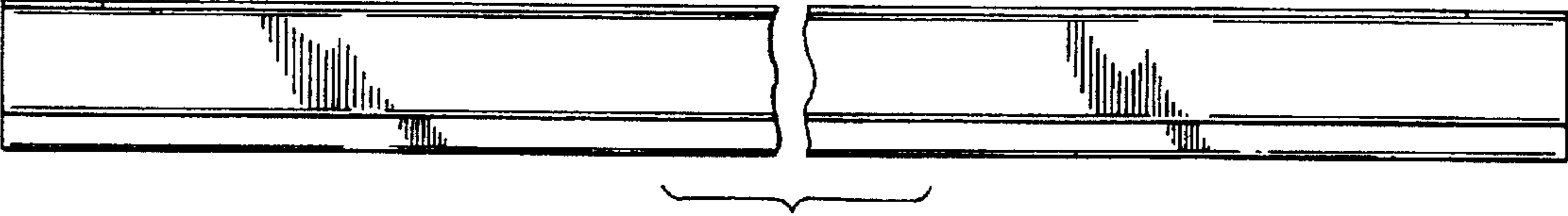


FIG. 4



FIG. 5

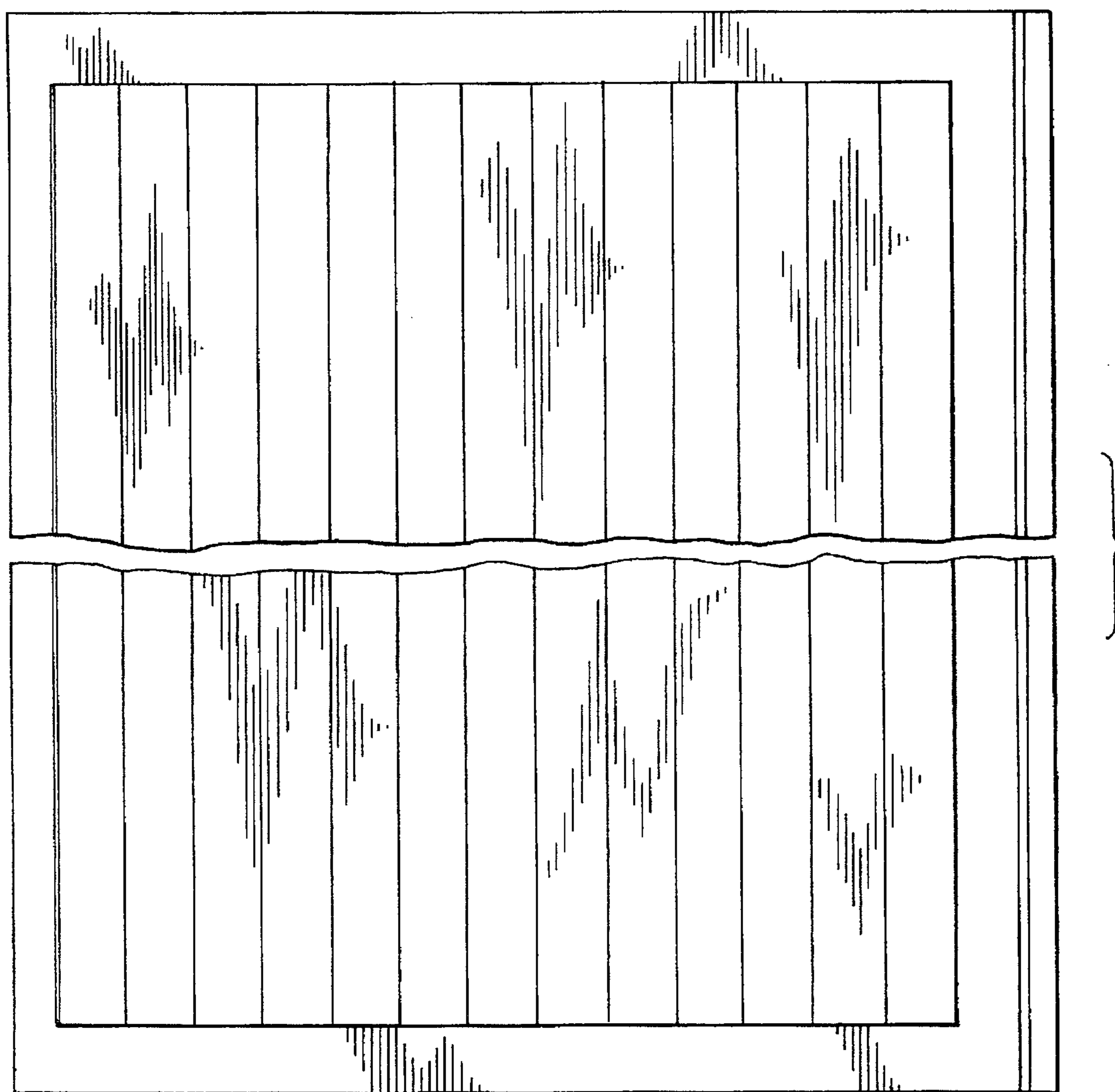


FIG. 6

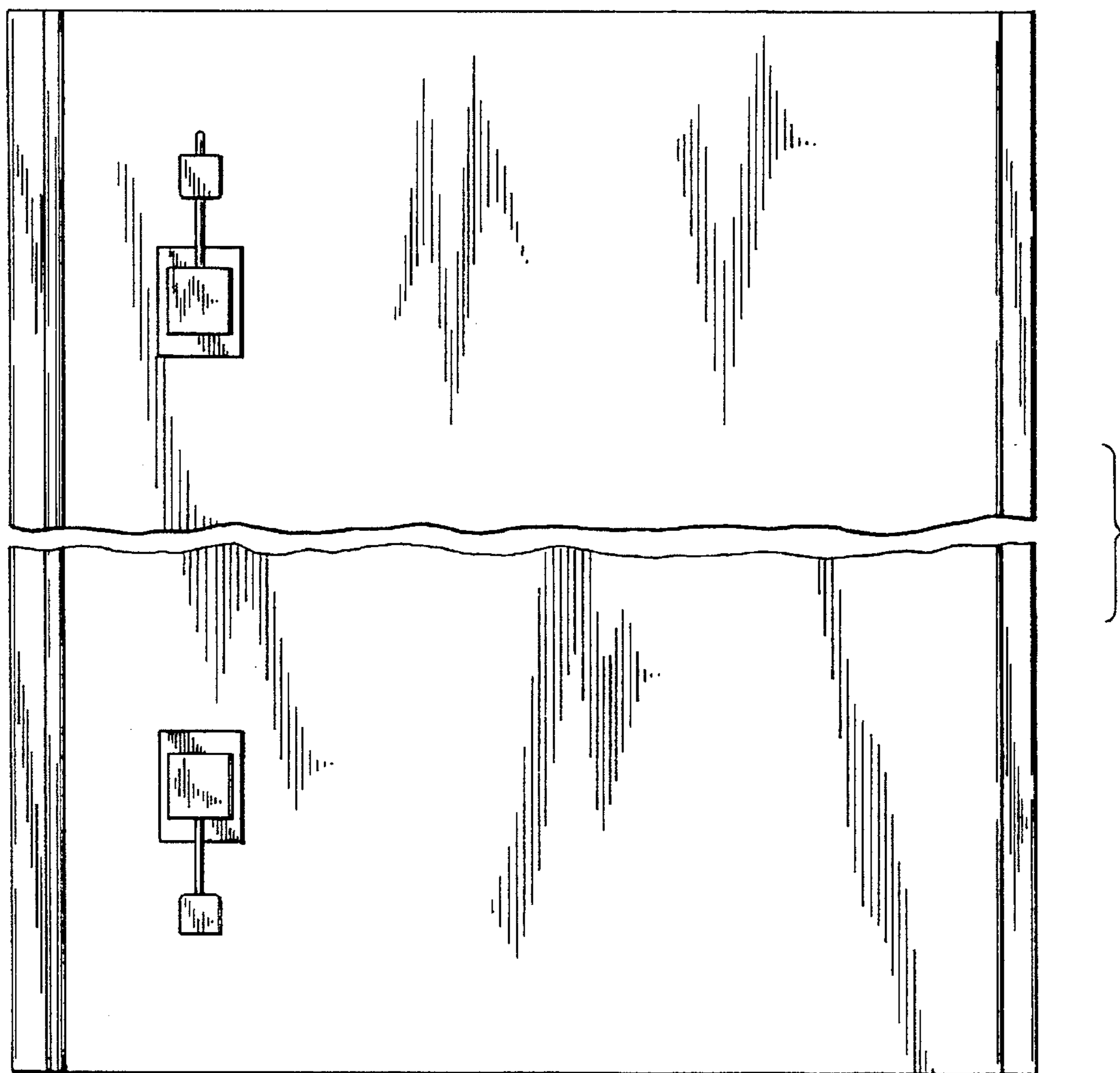


FIG. 7

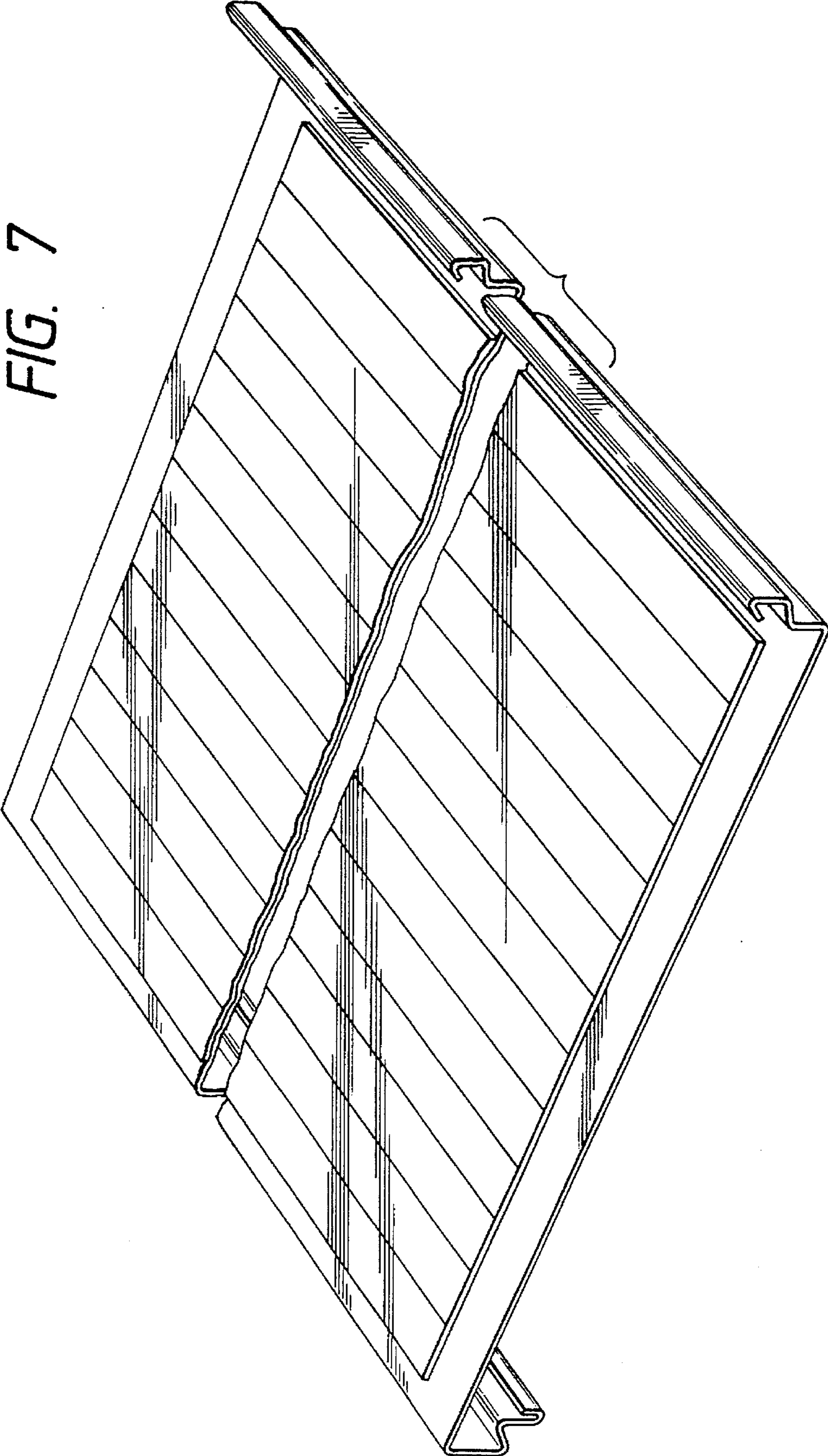
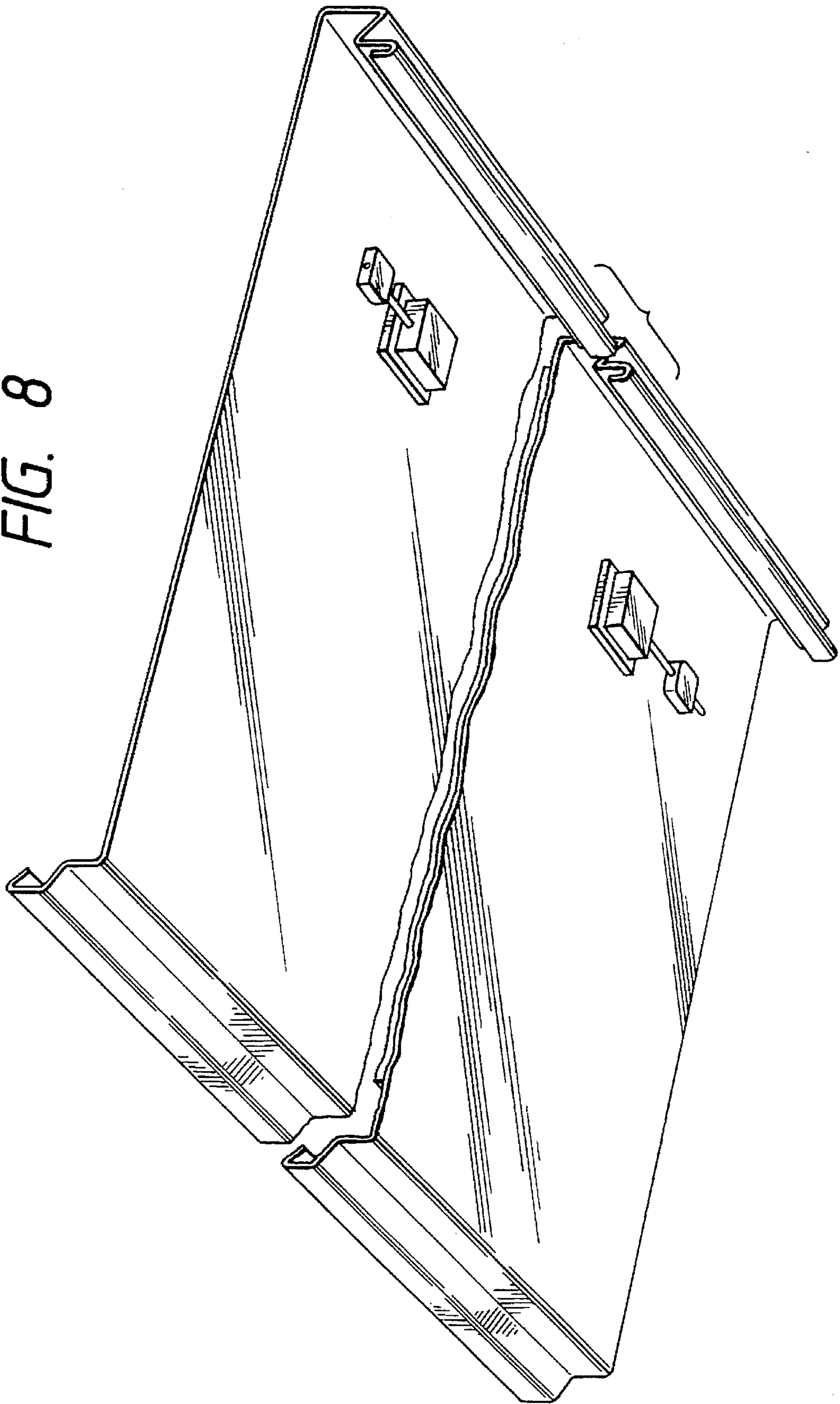


FIG. 8



UNITED STATES PATENT AND TRADEMARK OFFICE
CERTIFICATE OF CORRECTION

PATENT NO. : Des. 380,441

DATED : July 1, 1997

INVENTOR(S) : TADASHI FUKUHARA ET AL.

It is certified that error appears in the above-identified patent and that said Letters Patent is hereby corrected as shown below:
Title page, item

[73] ASSIGNEE

"Canon Kabushiki Kaisha, Tokyo, Japan" should read
--Sanko Metal Industrial Co., Ltd., Tokyo;
Canon Kabushiki Kaisha, Tokyo, both of Japan--.

Signed and Sealed this
Fourteenth Day of April, 1998



Attest:

BRUCE LEHMAN

Attesting Officer

Commissioner of Patents and Trademarks