



US00D380439S

United States Patent [19] Lundgren

[11] Patent Number: **Des. 380,439**

[45] Date of Patent: ****Jul. 1, 1997**

[54] **CLAMPING PLATE FOR LOAD CARRIER FOOT**

[75] Inventor: **Anders Lundgren**, Grimsås, Sweden

[73] Assignee: **Industri AB Thule**, Hillerstorp, Sweden

[**] Term: **14 Years**

[21] Appl. No.: **42,878**

[22] Filed: **Aug. 21, 1995**

[30] **Foreign Application Priority Data**

Jun. 15, 1995 [SE] Sweden 95-1221

[51] **LOC (6) Cl.** **12-16**

[52] **U.S. Cl.** **D12/414**

[58] **Field of Search** D12/414, 400;
224/309, 315-317, 322-329, 331; 296/37.7

[56] **References Cited**

U.S. PATENT DOCUMENTS

D. 276,989 1/1985 Whitney D12/414

D. 283,118 3/1986 Eklund D12/414

D. 294,340 2/1988 Robson D12/414

D. 297,628 9/1988 Robson D12/414

D. 299,913 2/1989 Arvidson D12/414

D. 300,913 5/1989 Kanaya D12/223

4,640,450 2/1987 Gallion et al. 224/331

Primary Examiner—Melody N. Brown

Attorney, Agent, or Firm—Novak Druce Reynolds Burt

[57] **CLAIM**

The ornamental design for a clamping plate for load carrier foot, as shown and described.

DESCRIPTION

FIG. 1 is a front perspective view of a clamping plate for load carrier foot according to my new design;

FIG. 2 is a rear perspective view thereof;

FIG. 3 is a front view thereof;

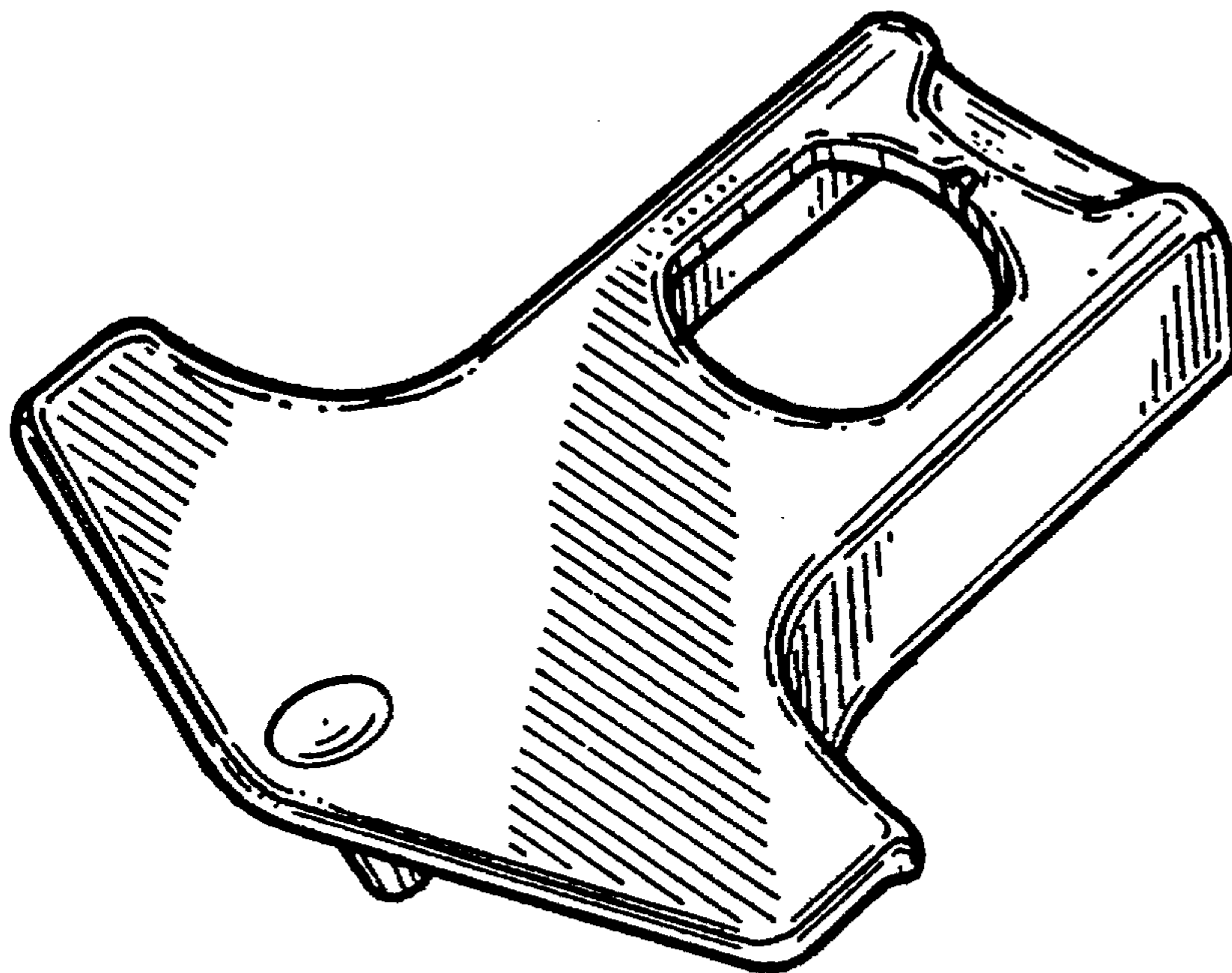
FIG. 4 is a back view thereof;

FIG. 5 is a top view thereof;

FIG. 6 is a bottom view thereof; and,

FIG. 7 is a left side view thereof.

1 Claim, 2 Drawing Sheets



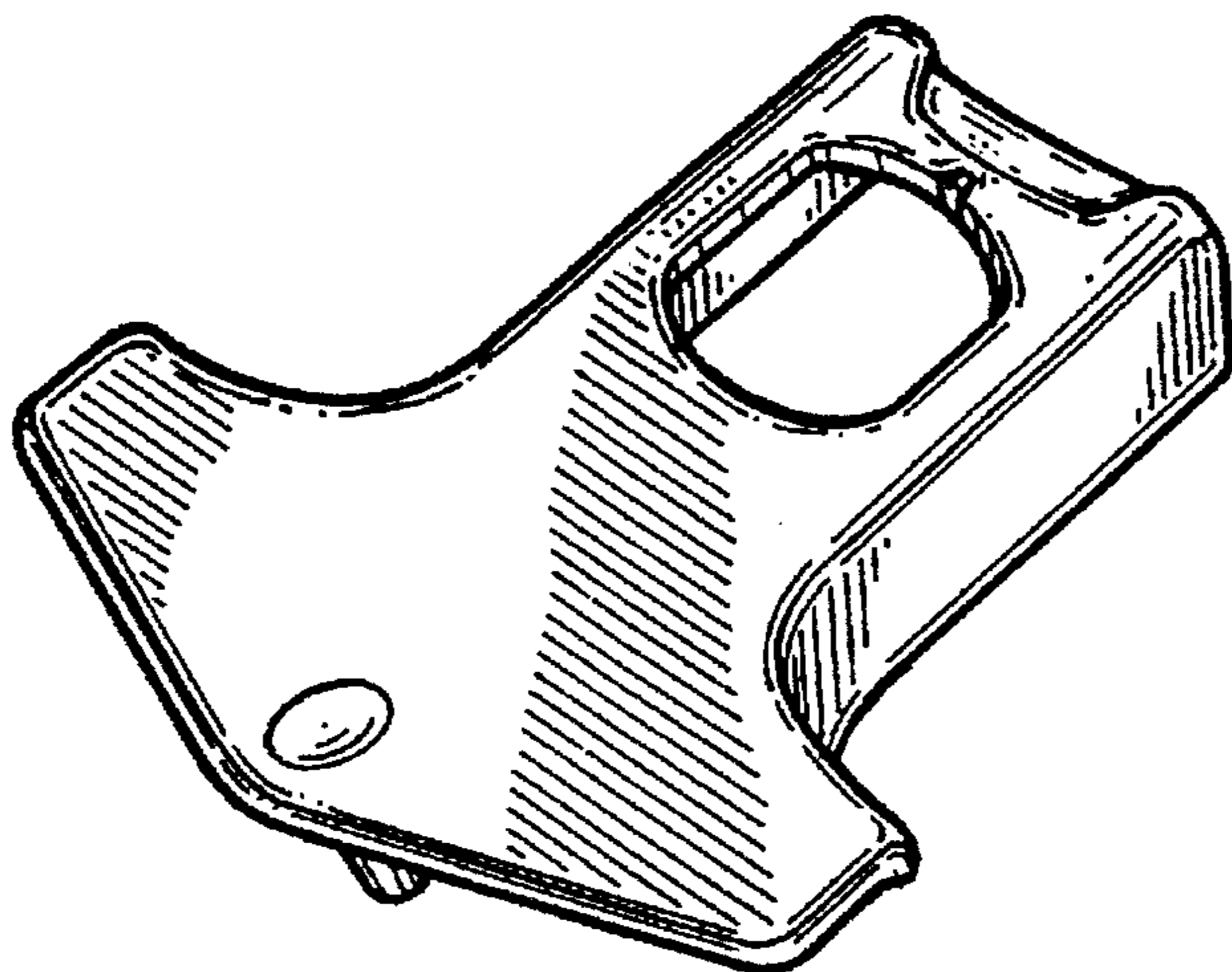


FIG. 1

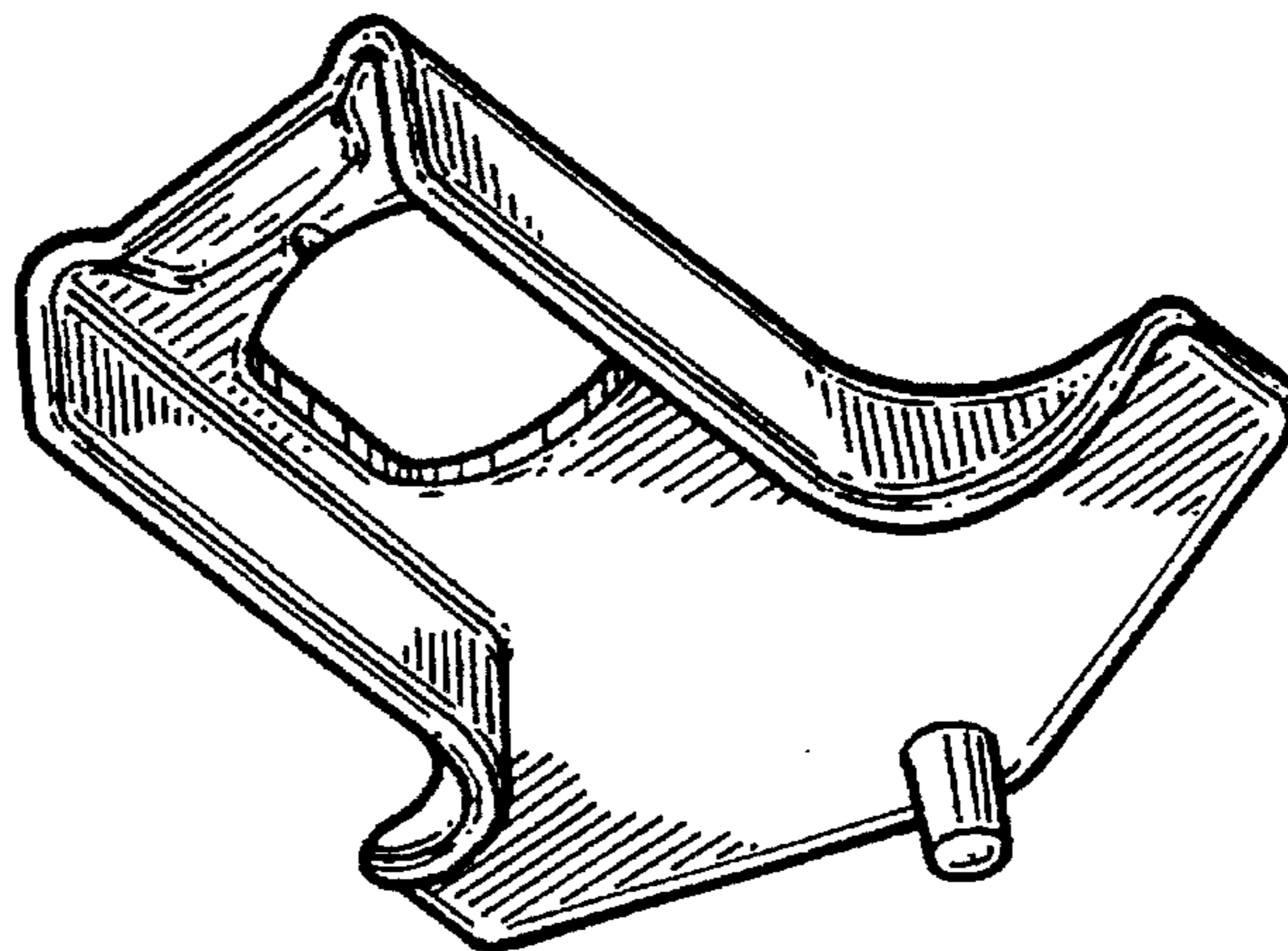


FIG. 2

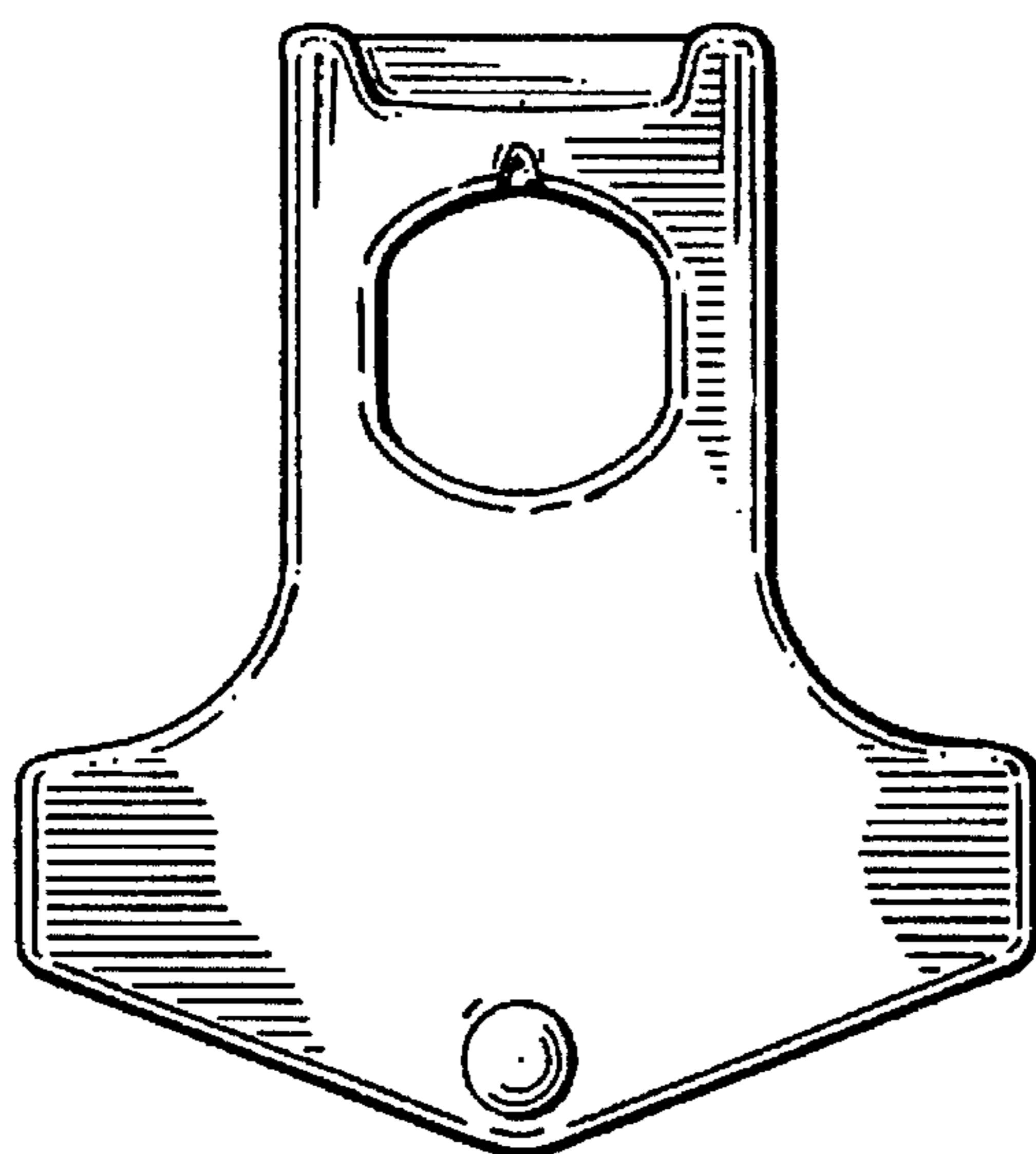


FIG. 3

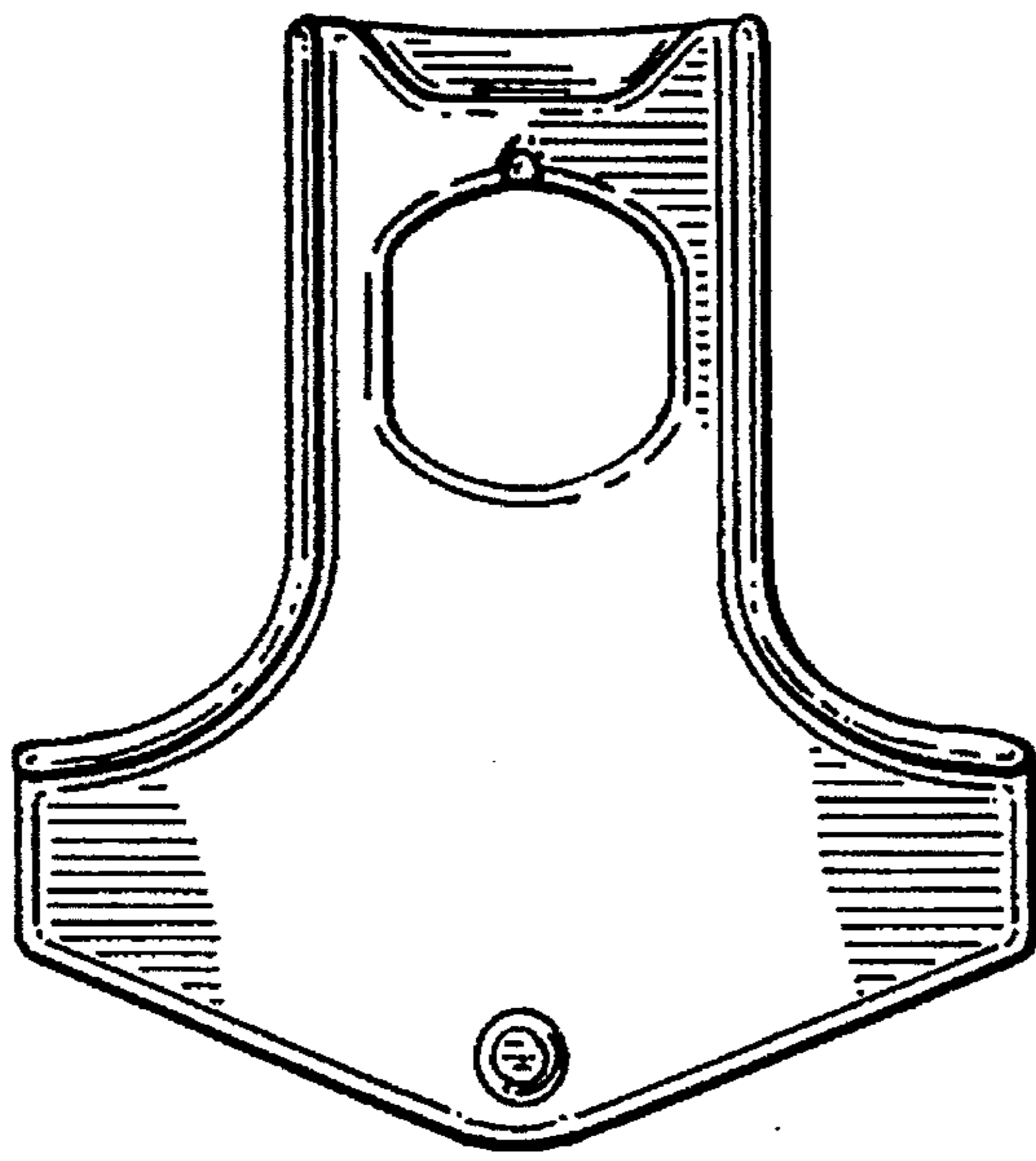


FIG. 4



FIG. 5

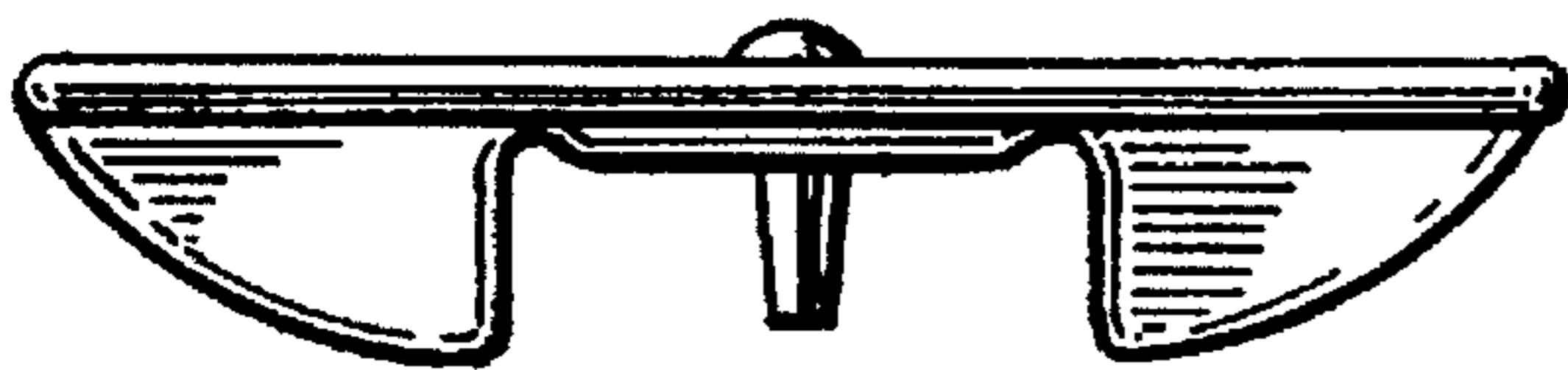


FIG. 6

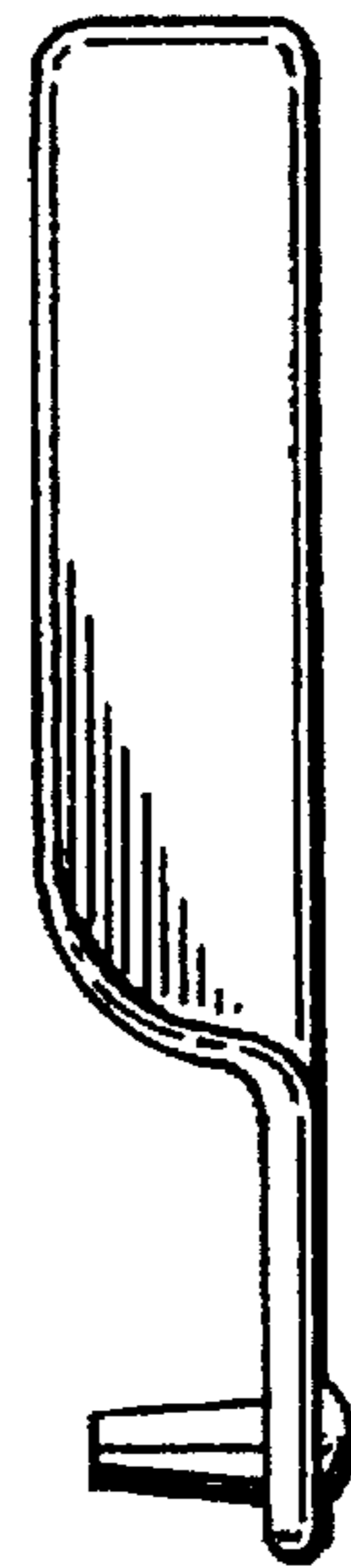


FIG. 7