



US00D380438S

**United States Patent** [19]  
**LeQuire**

[11] **Patent Number: Des. 380,438**  
[45] **Date of Patent: \*\*Jul. 1, 1997**

[54] **MARINE MUFFLER**

**DESCRIPTION**

[76] **Inventor: Wayne A. LeQuire**, 701 Southwind Rd., Maryville, Tenn. 37801  
[\*\*] **Term: 14 Years**  
[21] **Appl. No.: 44,728**  
[22] **Filed: Sep. 18, 1995**

FIG. 1 is a perspective view of the bottom of a marine muffler showing my new design;  
FIG. 2 is a top plan view thereof;  
FIG. 3 is a bottom plan view thereof;  
FIG. 4 is a front elevation view thereof;  
FIG. 5 is a rear elevation view thereof;  
FIG. 6 is a left side elevation view thereof, the right side elevation view being a mirror image thereof;  
FIG. 7 is a top plan view of a second embodiment of the marine muffler;  
FIG. 8 is a bottom plan view of FIG. 7;  
FIG. 9 is a front elevational view of FIG. 7;  
FIG. 10 is a rear elevational view of FIG. 7;  
FIG. 11 is a left side elevational view of FIG. 7, the right side elevational view being a mirror image thereof;  
FIG. 12 is a top plan view of a third embodiment of the marine muffler;  
FIG. 13 is a bottom plan view of FIG. 12;  
FIG. 14 is a front elevational view of FIG. 12;  
FIG. 15 is a rear elevational view of FIG. 12;  
FIG. 16 is a left side elevational view of FIG. 12, the right side elevational view being a mirror image thereof;  
FIG. 17 is a top plan view of a fourth embodiment of the marine muffler;  
FIG. 18 is a bottom plan view of FIG. 17;  
FIG. 19 is a front elevational view of FIG. 17;  
FIG. 20 is a rear elevational view of FIG. 17; and,  
FIG. 21 is a left side elevational view of FIG. 17, the right side elevational view being a mirror image thereof.

**Related U.S. Application Data**

[63] Continuation-in-part of Ser. No. 512,935, Aug. 9, 1995, Pat. No. 5,594,217.  
[51] **LOC (6) Cl. .... 12-06**  
[52] **U.S. Cl. .... D12/317**  
[58] **Field of Search .... D12/317; 440/89; 181/238, 260, 204, 212**

[56] **References Cited**

**U.S. PATENT DOCUMENTS**

|           |         |                   |         |
|-----------|---------|-------------------|---------|
| 2,360,429 | 10/1944 | Leadbetter        | 181/52  |
| 2,498,979 | 2/1950  | Bourne            | 181/52  |
| 3,296,997 | 1/1967  | Hoiby             | 115/5   |
| 4,713,029 | 12/1987 | Ford              | 440/89  |
| 4,917,640 | 4/1990  | Miles, Jr.        | 440/89  |
| 5,045,005 | 9/1991  | Miles, Jr.        | 440/89  |
| 5,147,232 | 9/1992  | Miles, Jr. et al. | 440/89  |
| 5,248,859 | 9/1993  | Borla             | 181/238 |
| 5,259,797 | 11/1993 | Miles, Jr.        | 440/89  |

*Primary Examiner*—Kay H. Chin  
*Attorney, Agent, or Firm*—Pitts & Brittan, P.C.

[57] **CLAIM**

The ornamental design for a marine muffler, as shown and described.

**1 Claim, 9 Drawing Sheets**

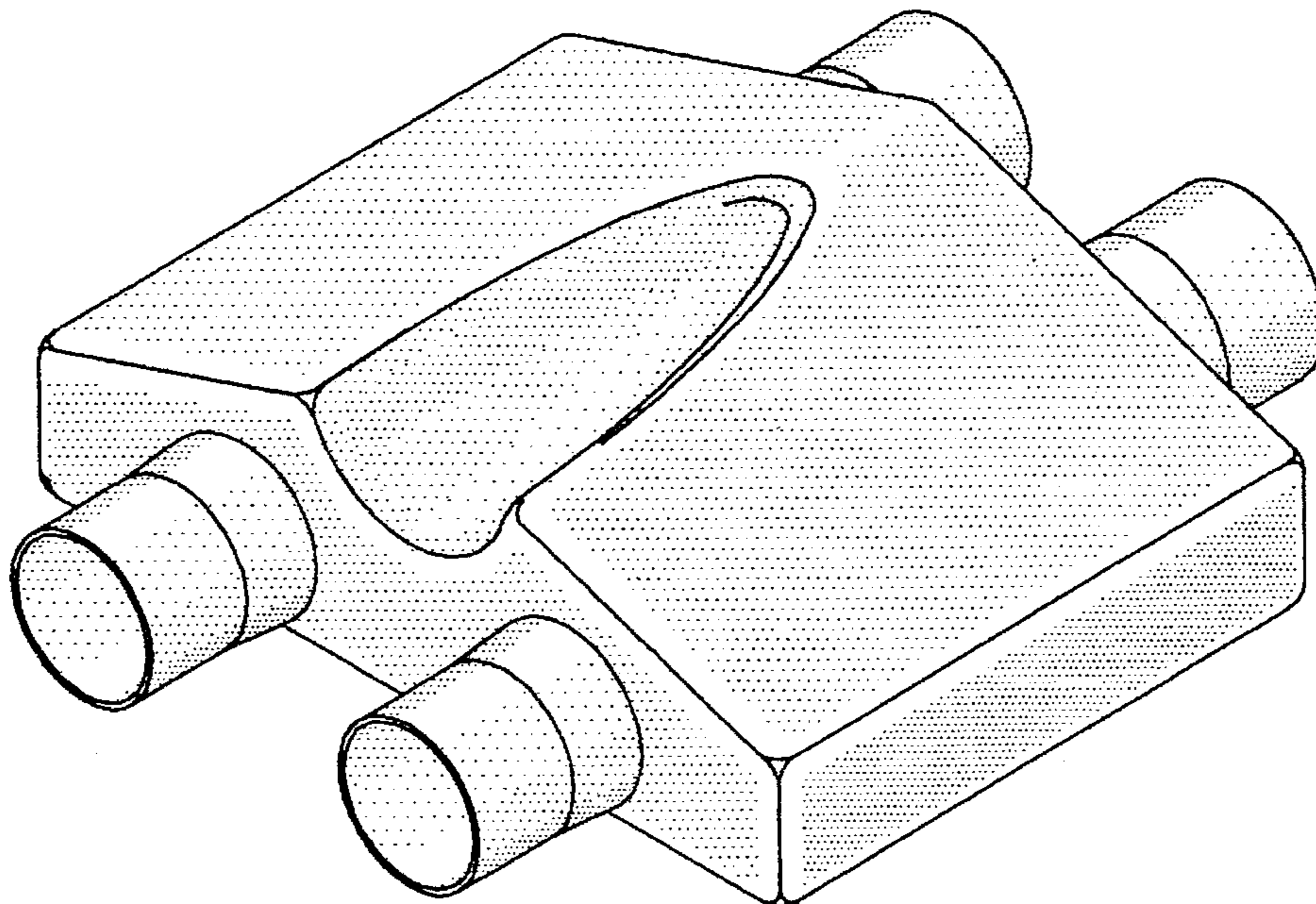


Fig. 1

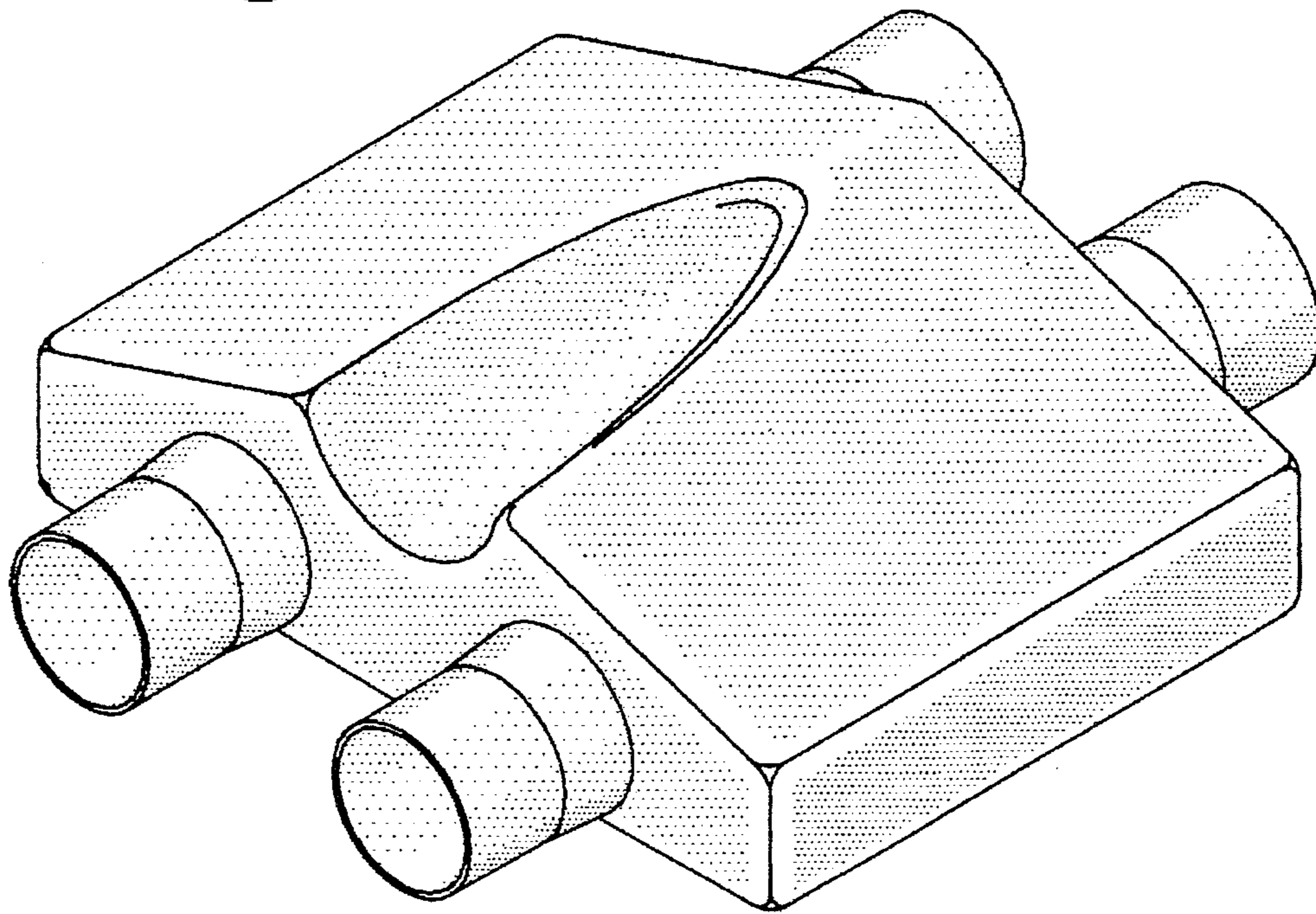


Fig. 2

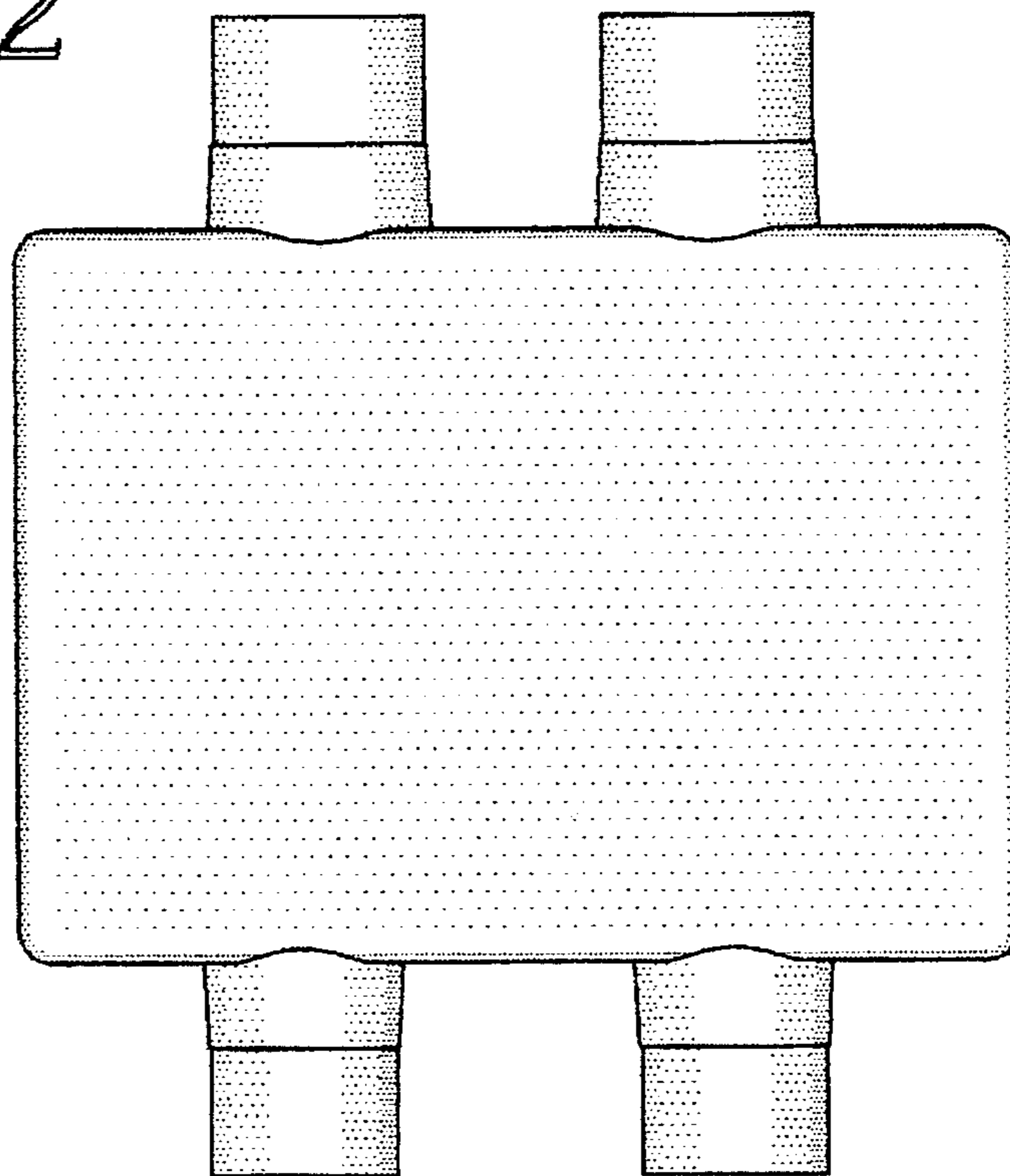


Fig. 3

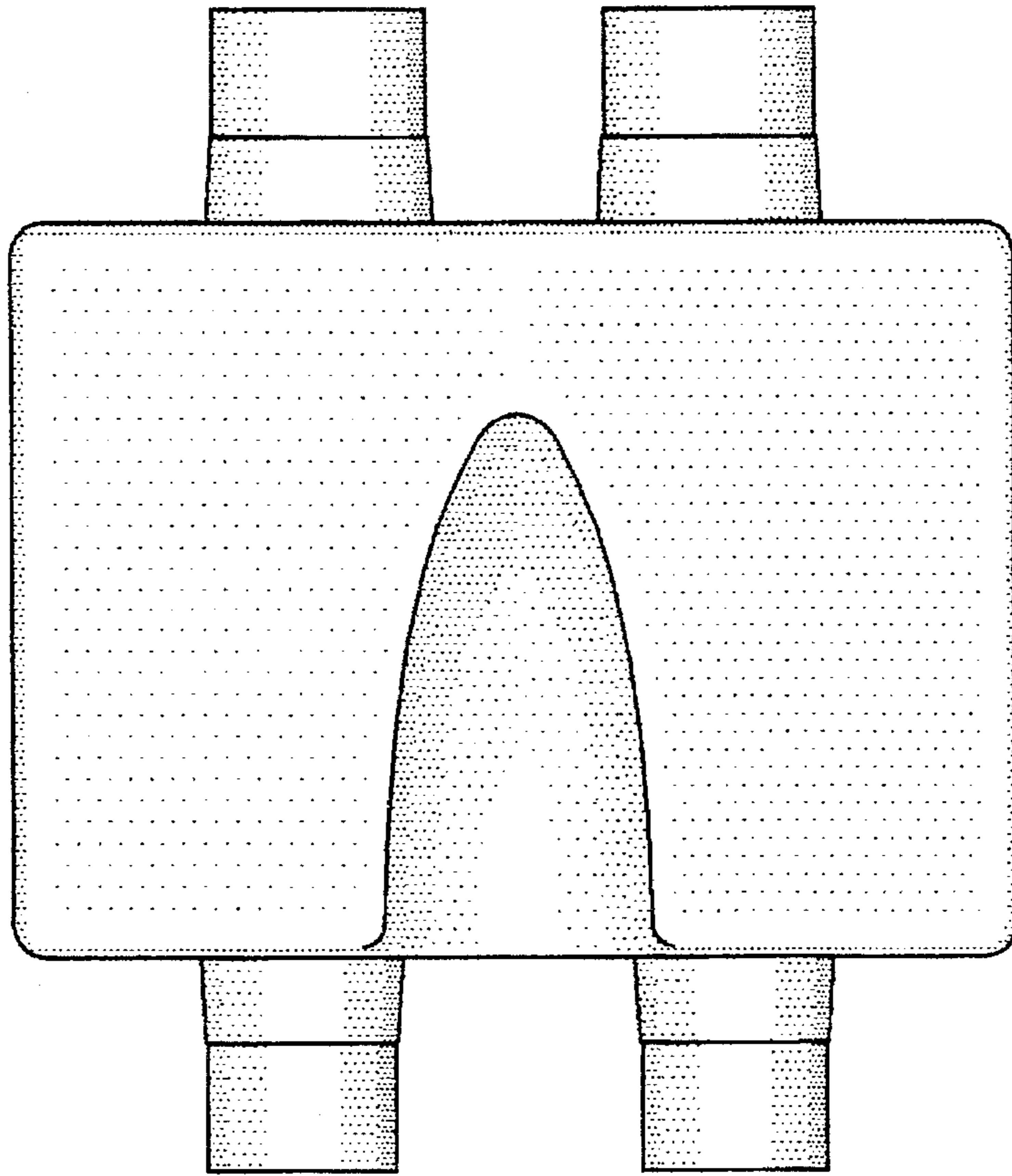


Fig. 4

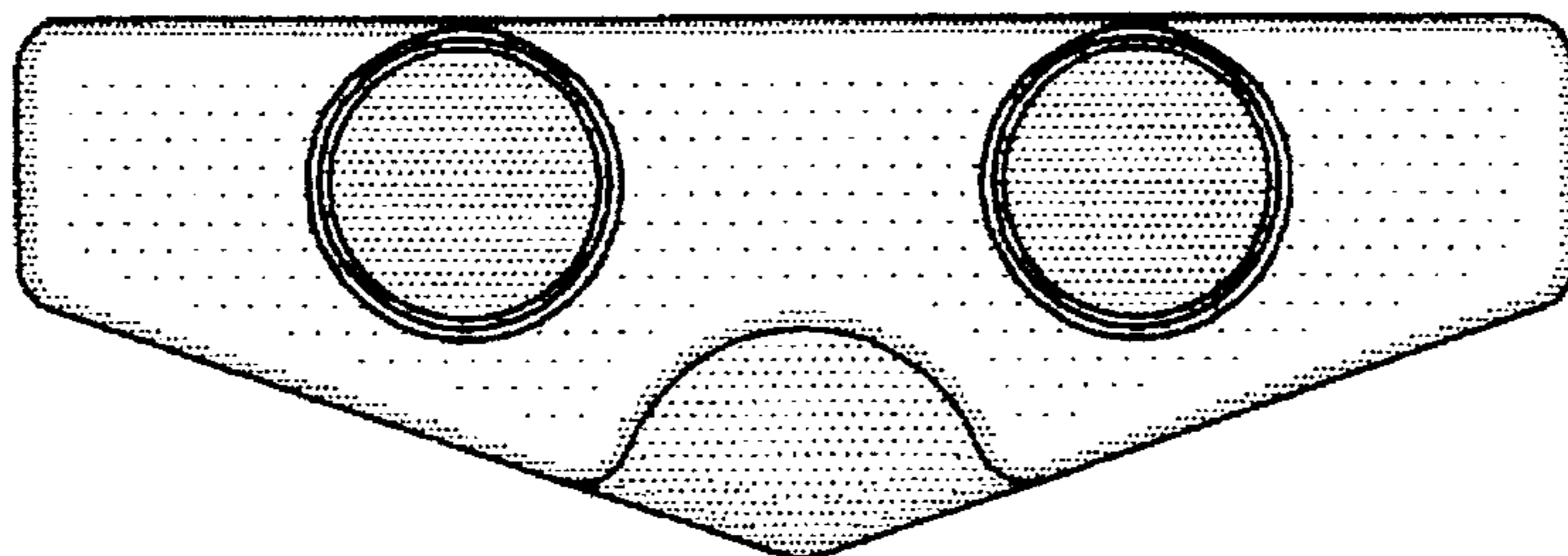


Fig. 5

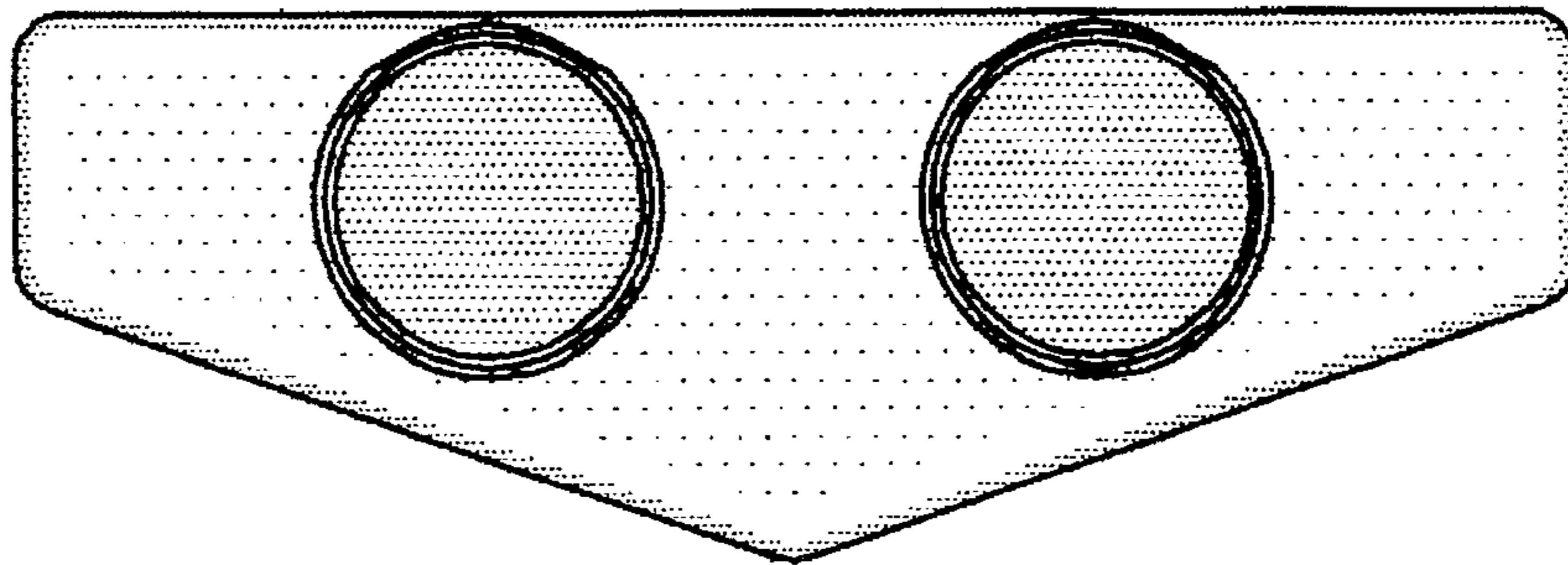


Fig. 6

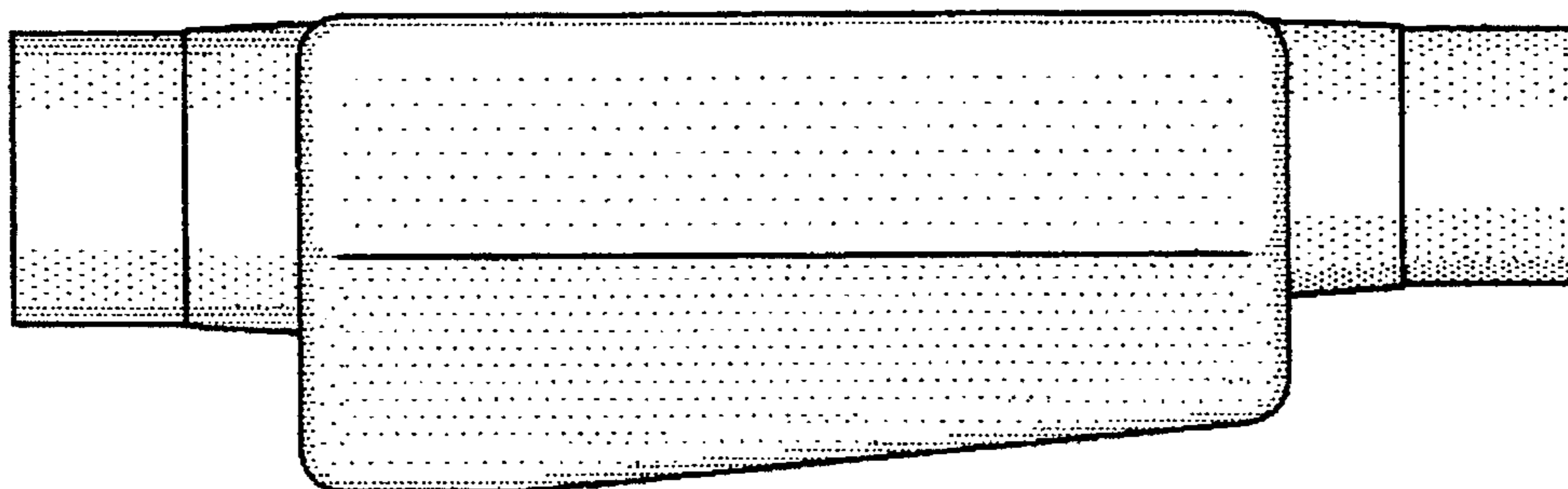


Fig. 7

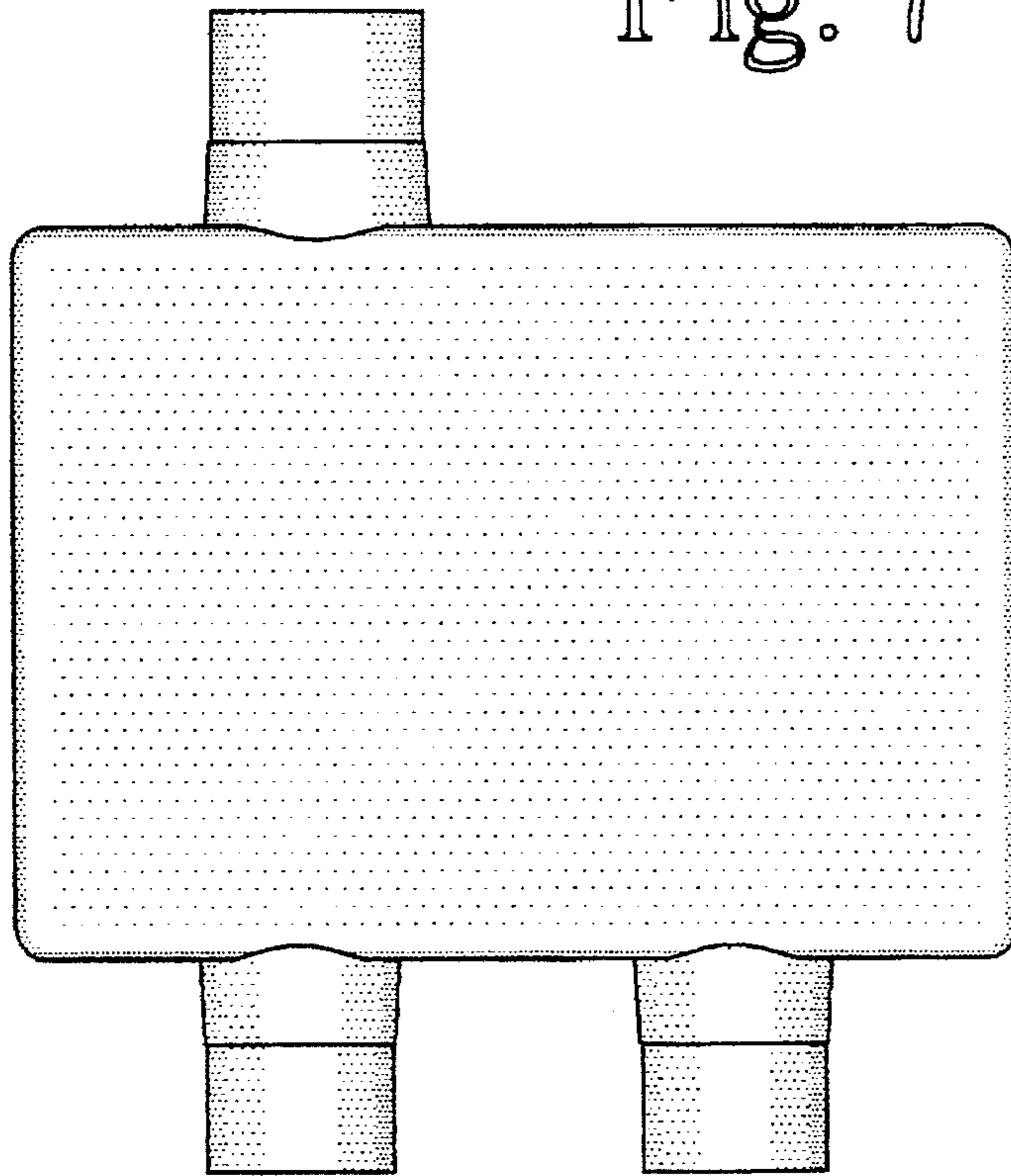


Fig. 8

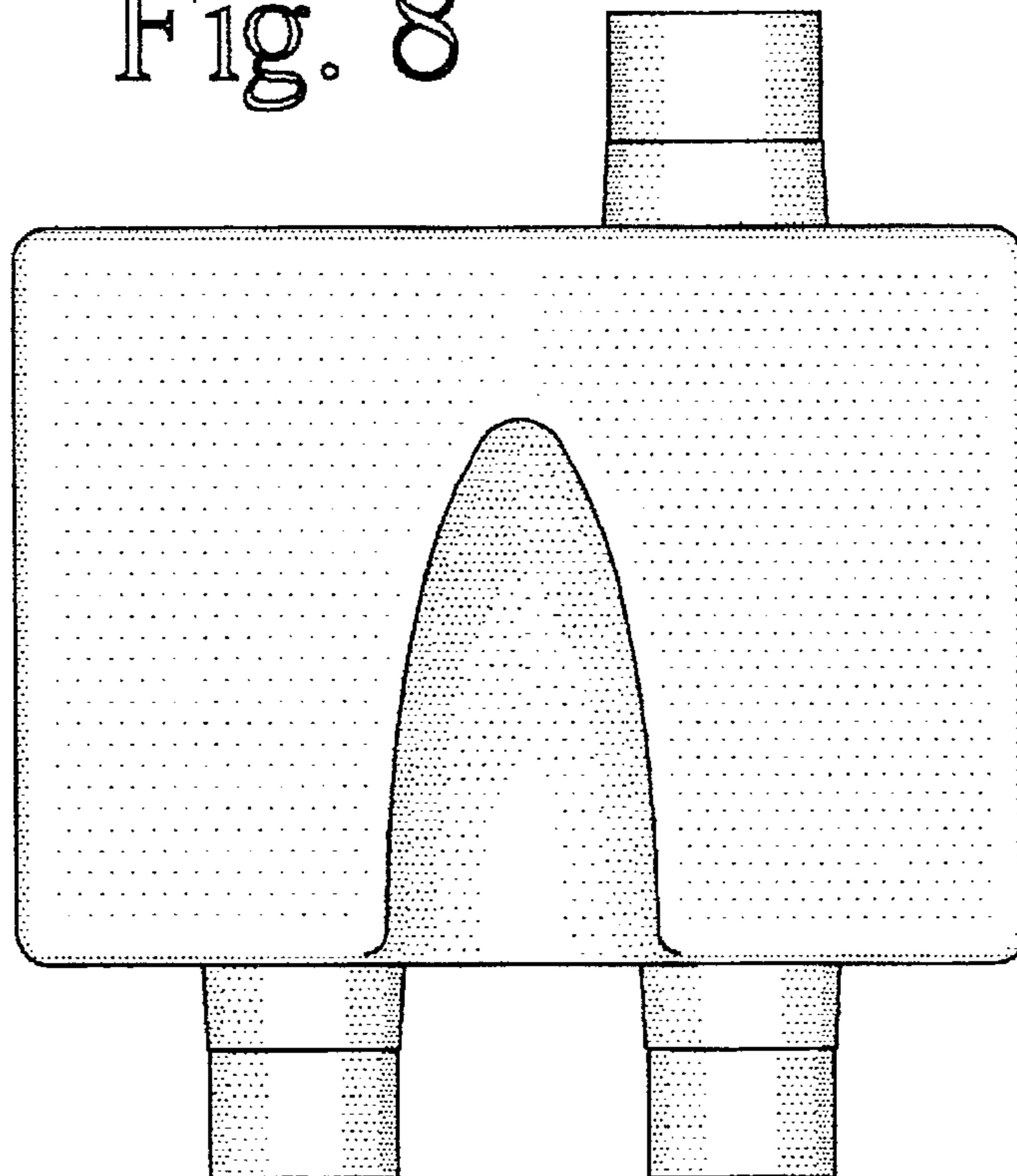


Fig. 9

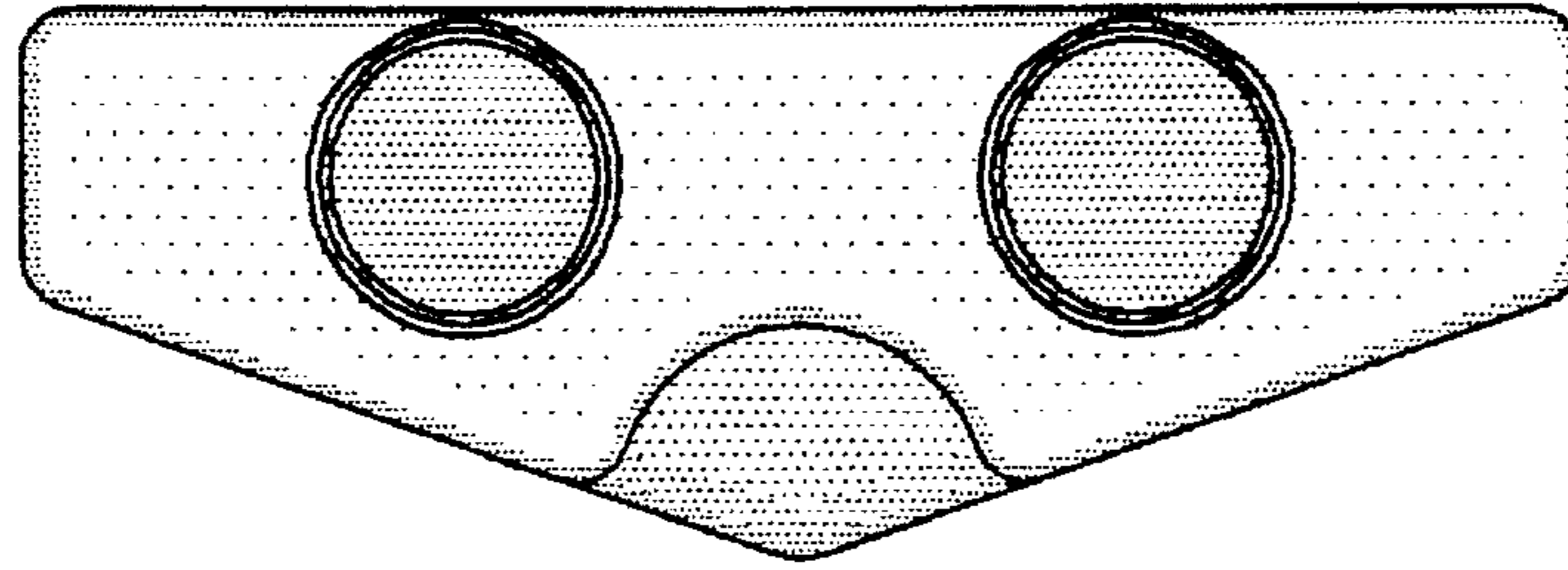


Fig. 10

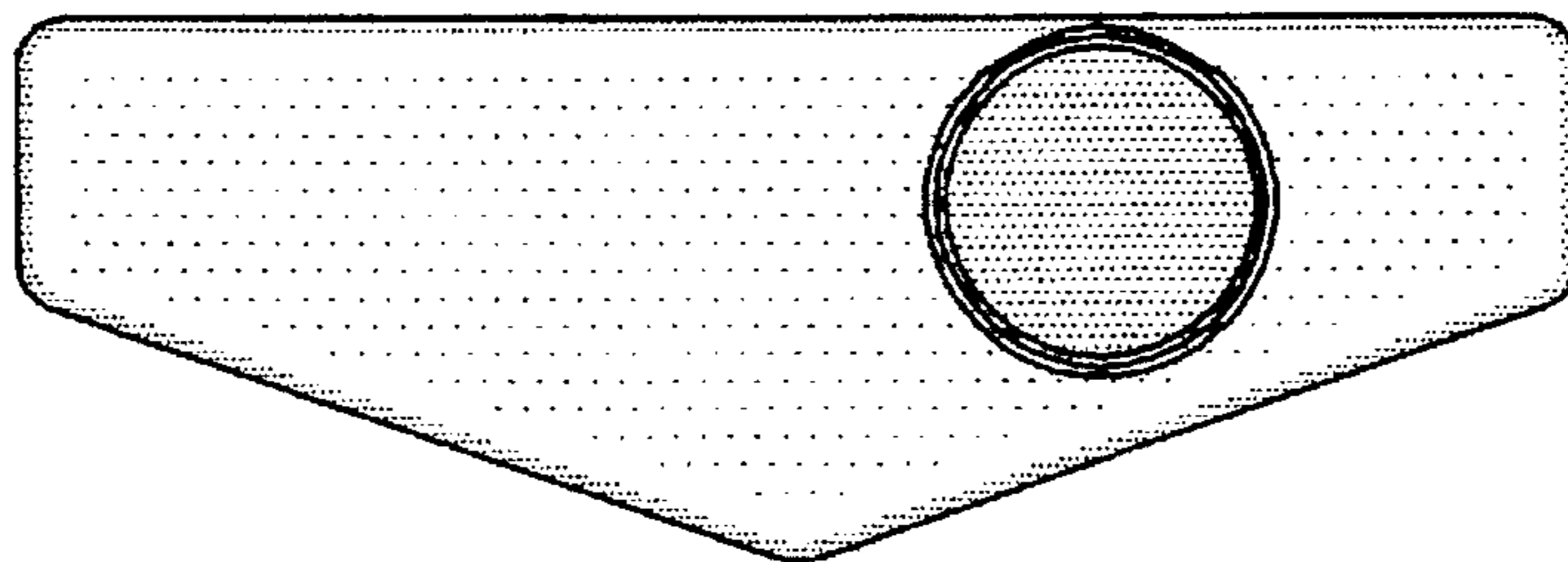


Fig. 11



Fig. 12

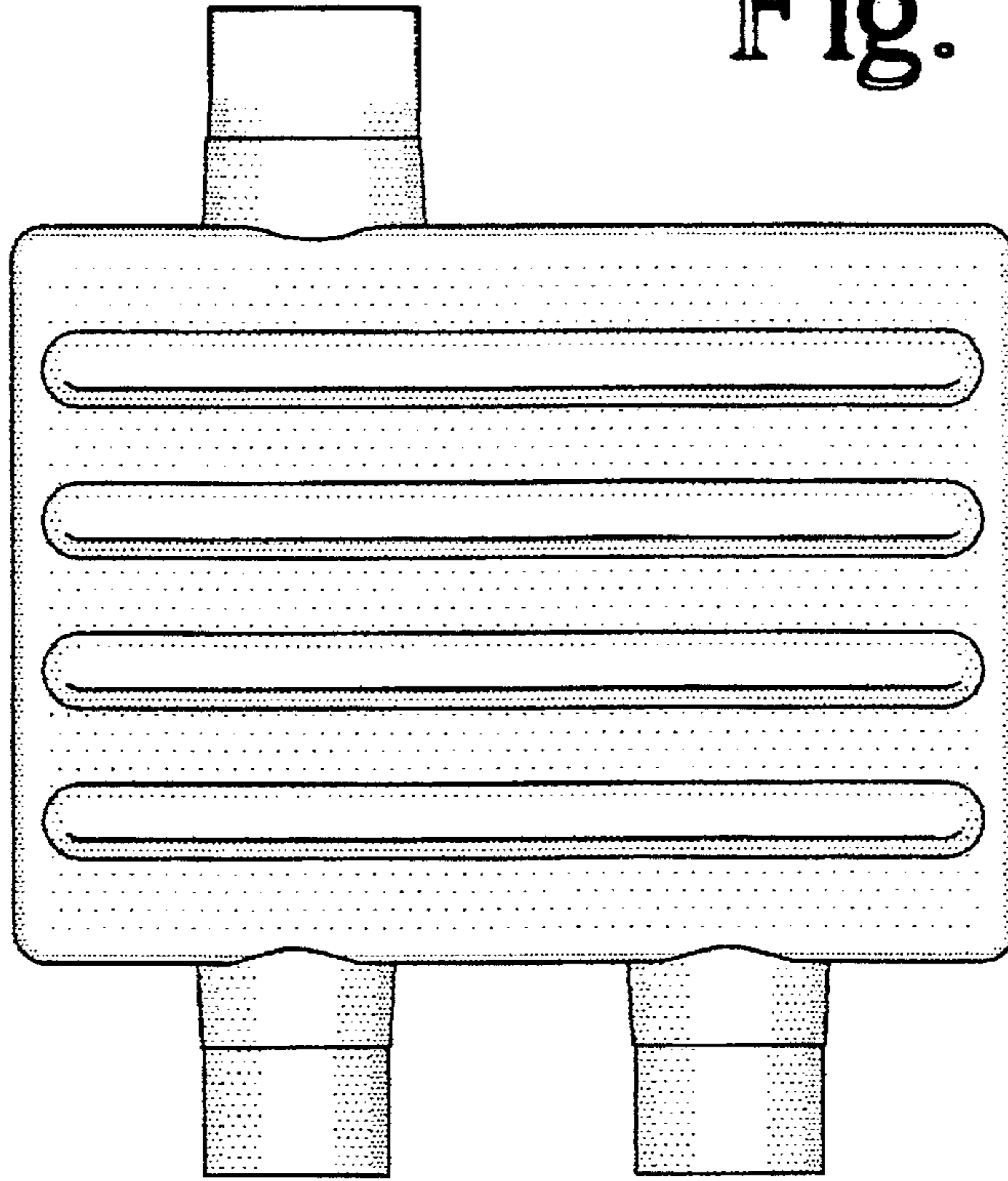


Fig. 13

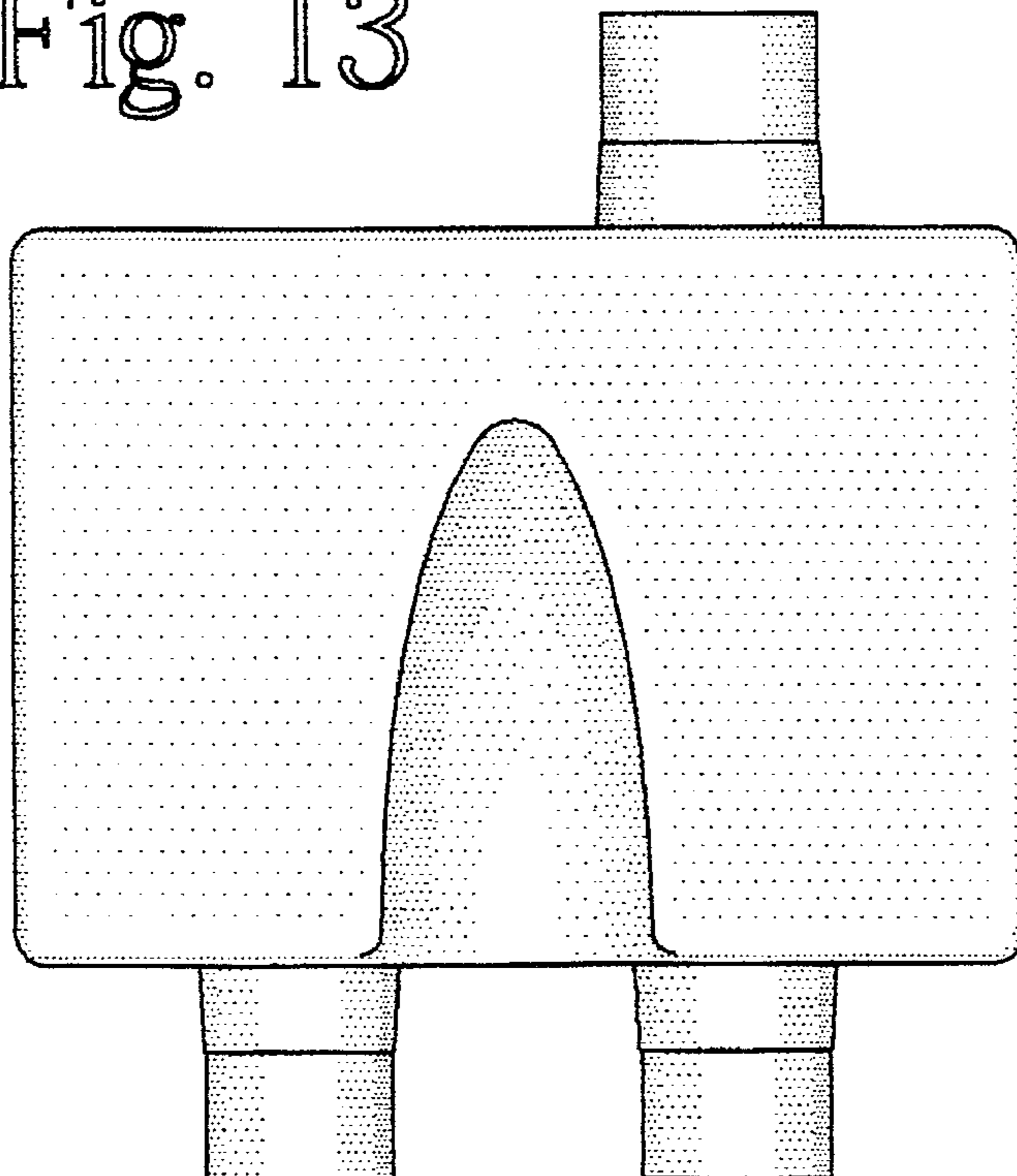


Fig. 14

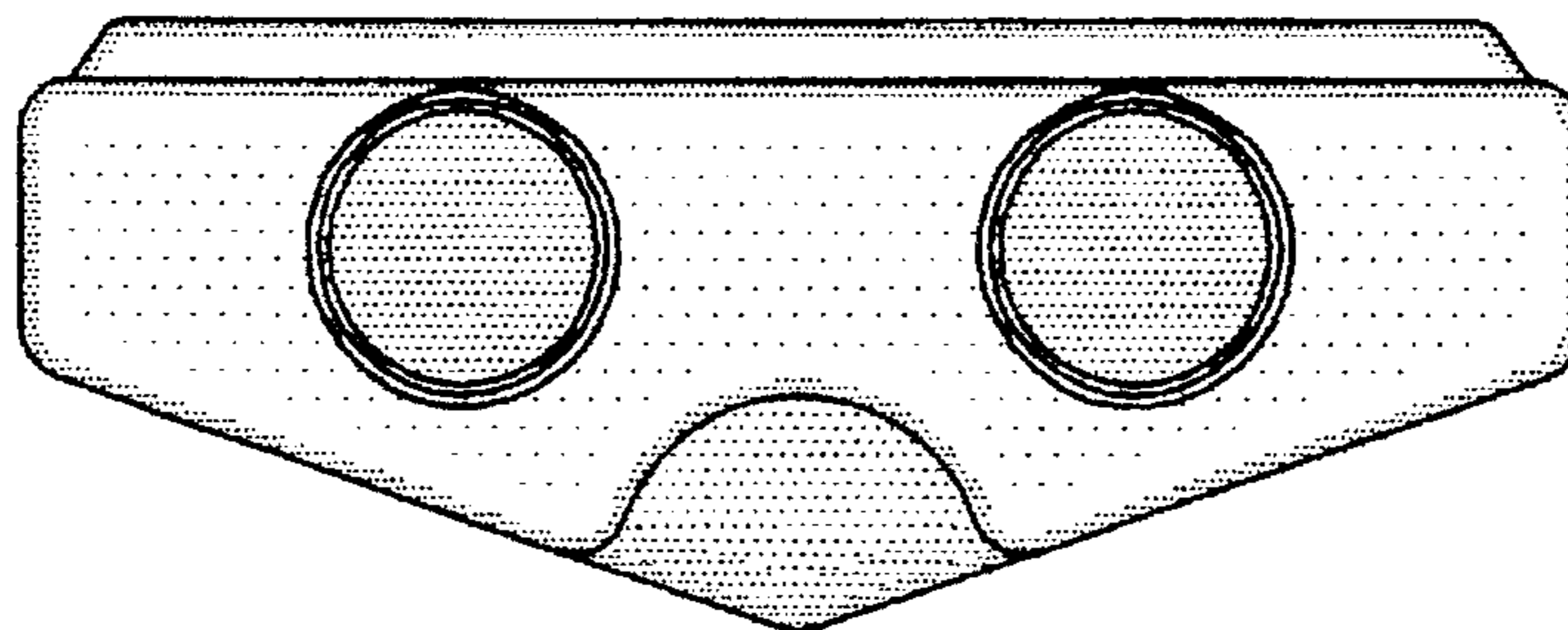


Fig. 15

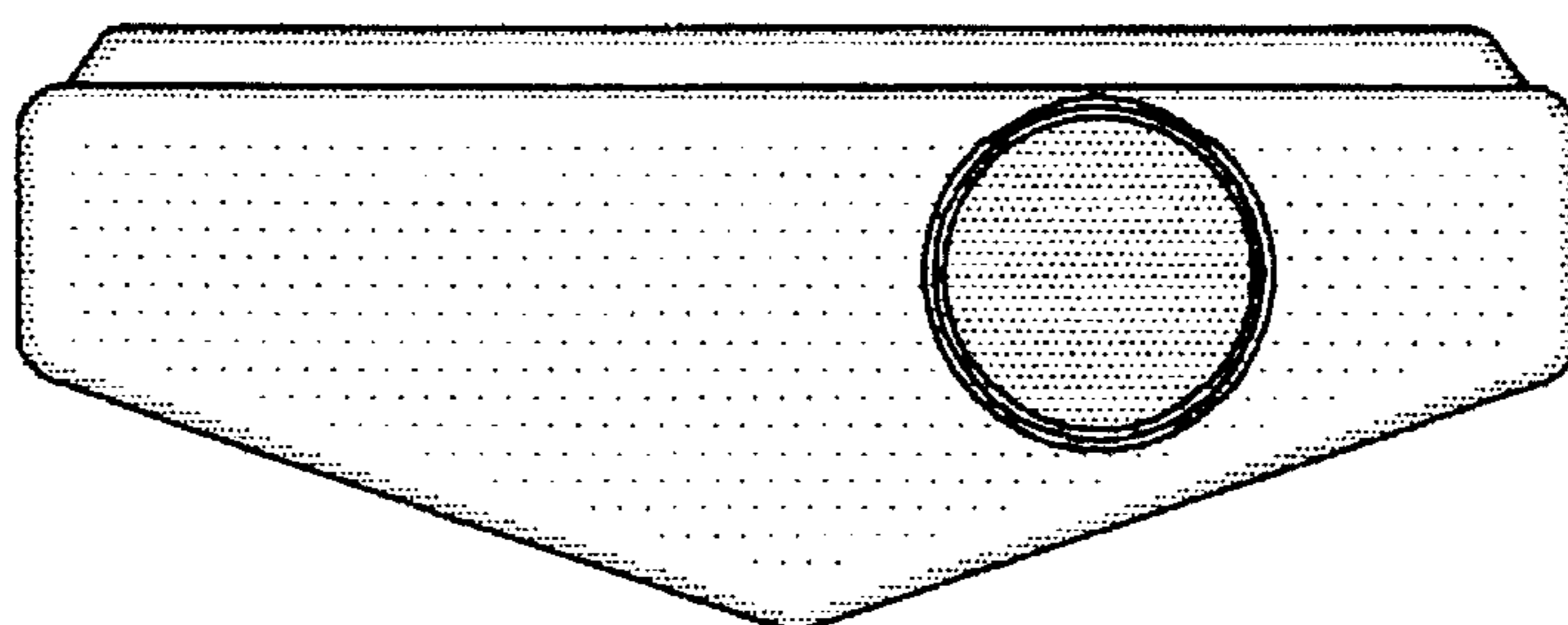


Fig. 16

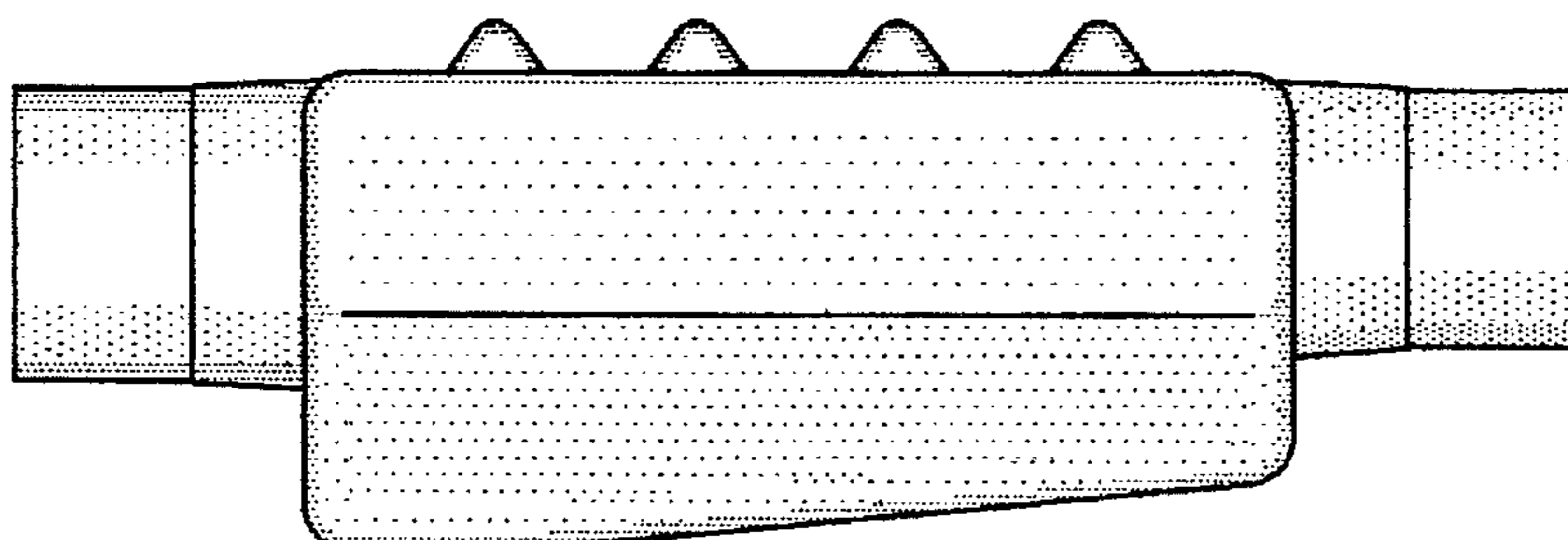




Fig. 17

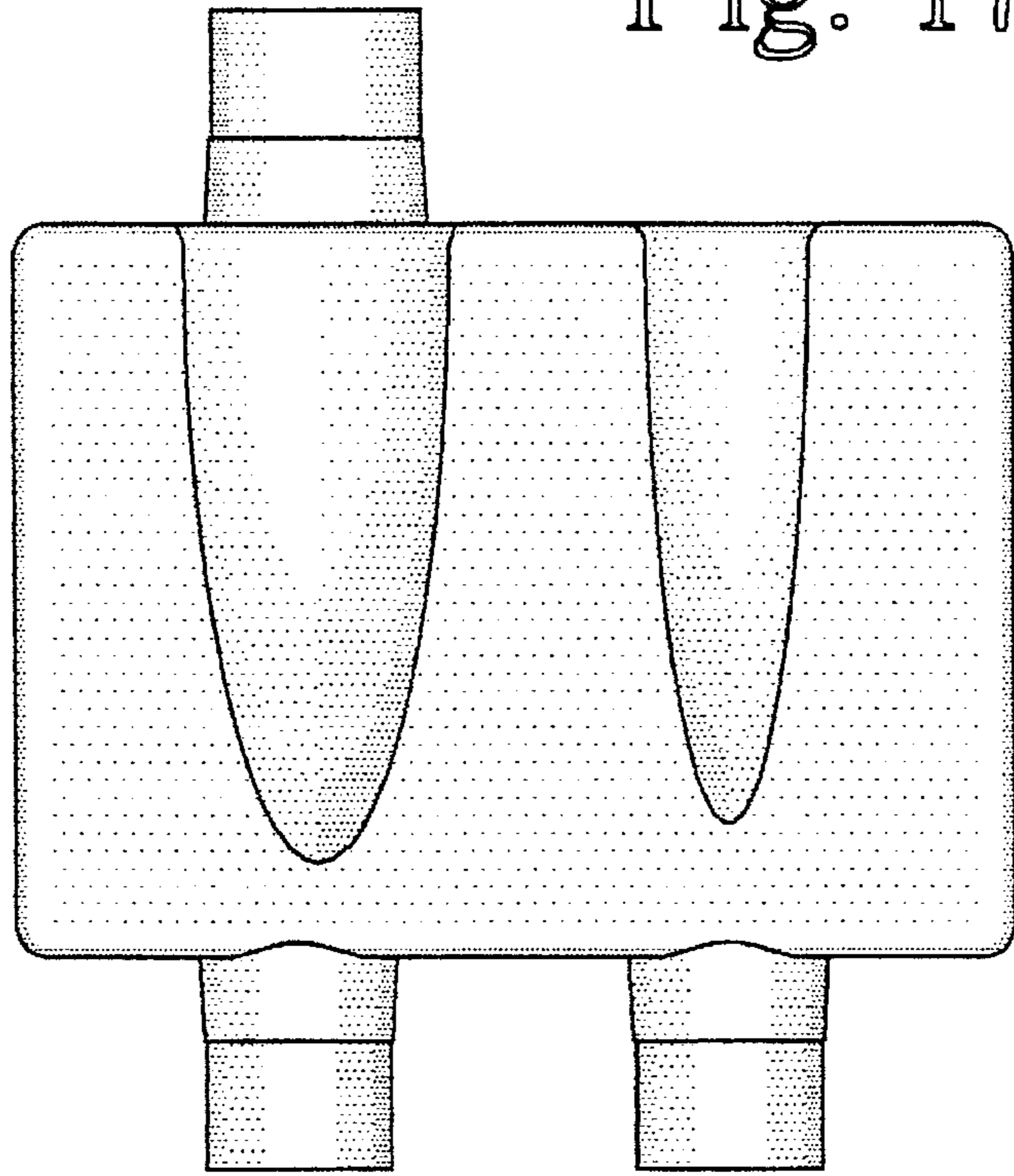


Fig. 18

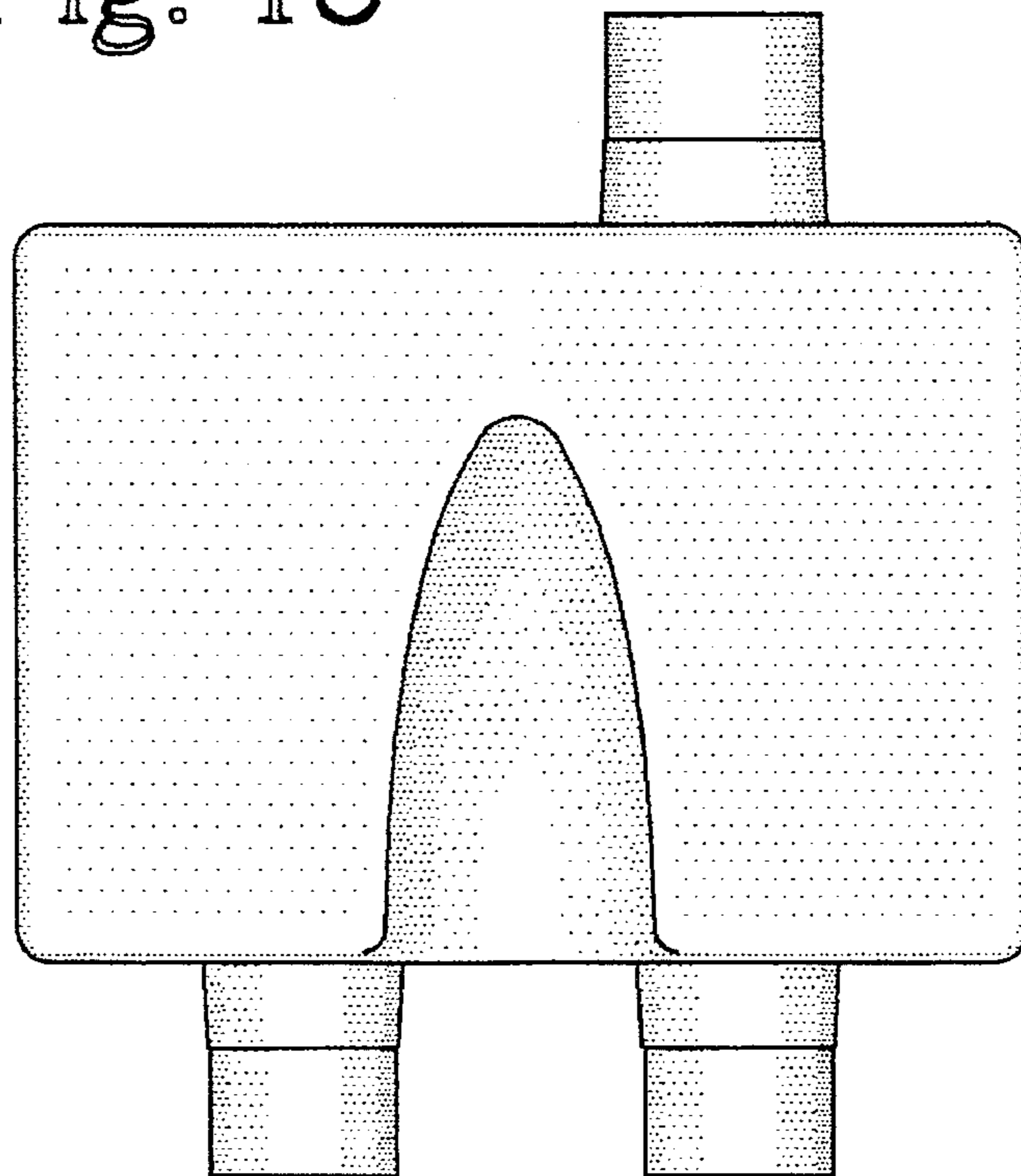


Fig. 19

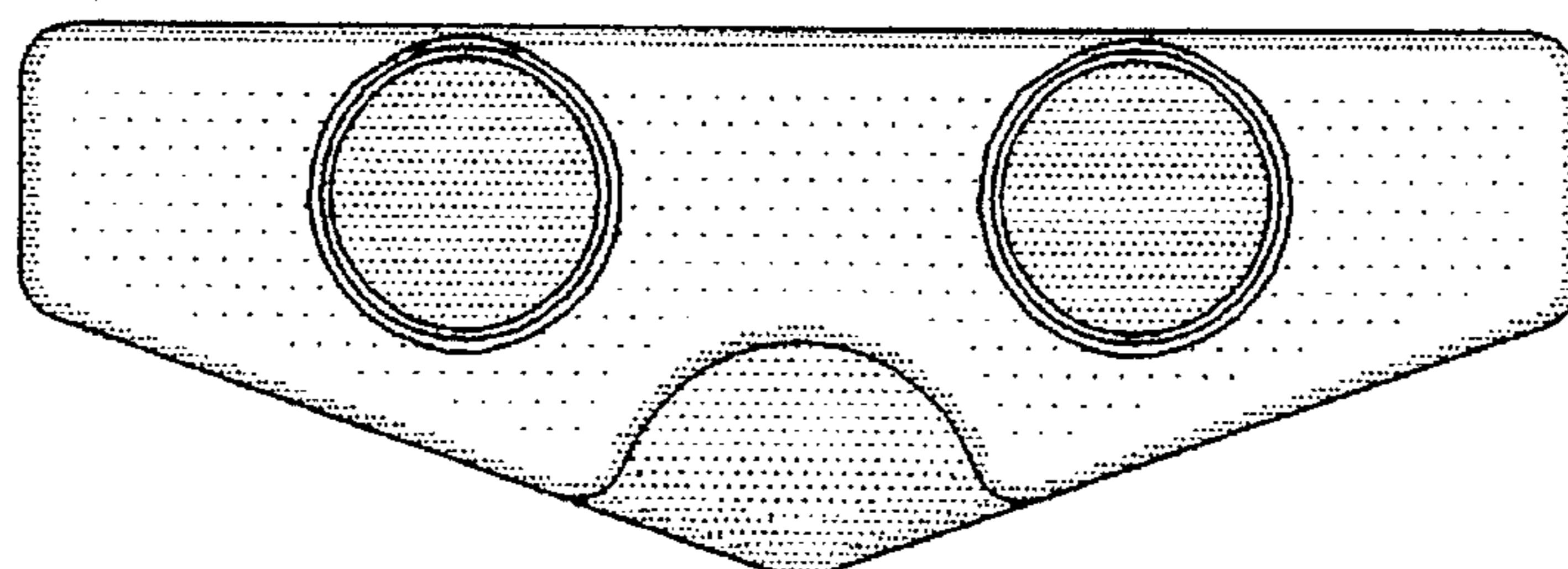


Fig. 20

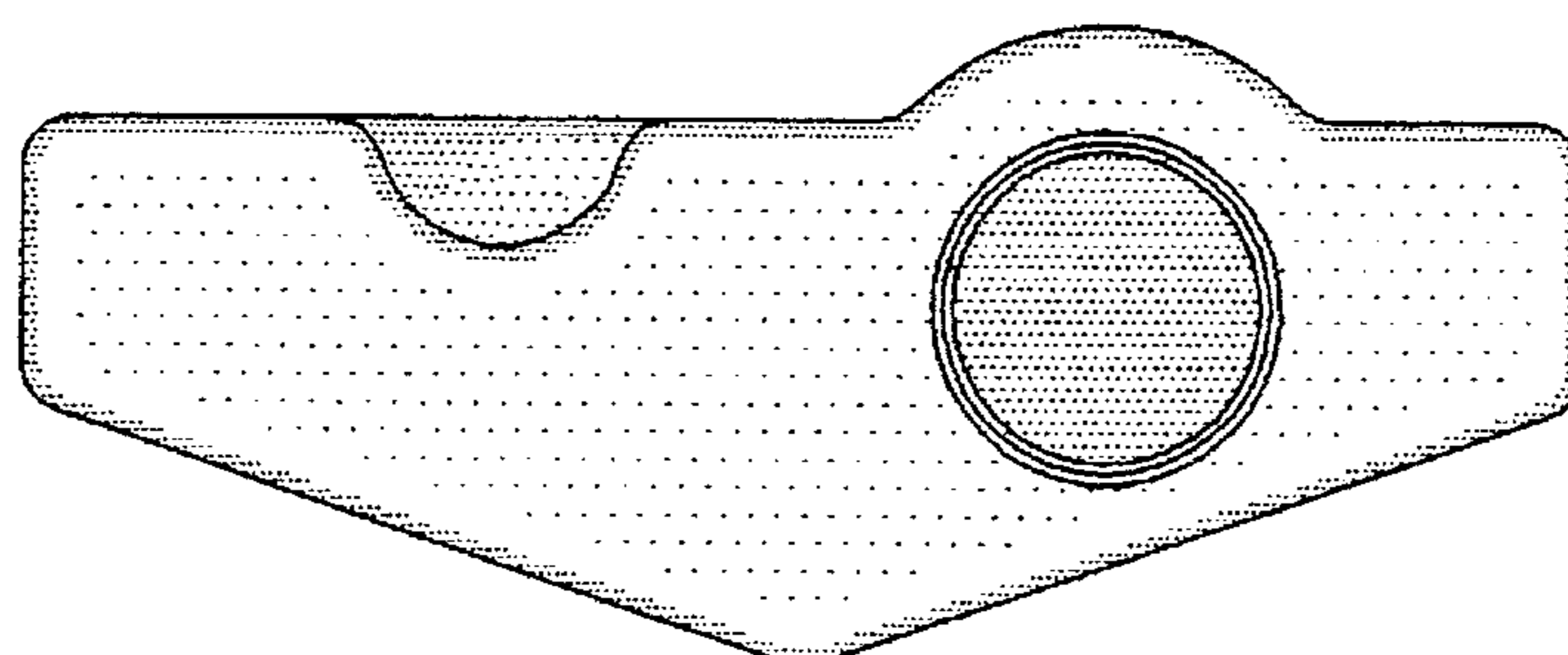


Fig. 21

