



US00D380437S

United States Patent [19] Saulters

[11] Patent Number: **Des. 380,437**

[45] Date of Patent: ****Jul. 1, 1997**

[54] **PERSONAL WATER CRAFT**

[76] Inventor: **Donald A. Saulters**, 5913 Carlo Dr.,
Memphis, Tenn. 38119

[**] Term: **14 Years**

[21] Appl. No.: **54,051**

[22] Filed: **May 6, 1996**

[51] LOC (6) Cl. **12-06**

[52] U.S. Cl. **D12/307; D12/300**

[58] Field of Search **D12/300-318;**
114/270

[56] **References Cited**

U.S. PATENT DOCUMENTS

- D. 208,596 9/1967 Davidson D12/311
- D. 214,294 5/1969 Stevens D12/311
- D. 221,485 8/1971 Hutcheson, Jr. D12/307

- D. 293,429 12/1987 Franyutti et al. D12/307
- D. 298,847 12/1988 Raiter et al. D12/307

Primary Examiner—Kay H. Chin
Attorney, Agent, or Firm—Terrance L. Siemens

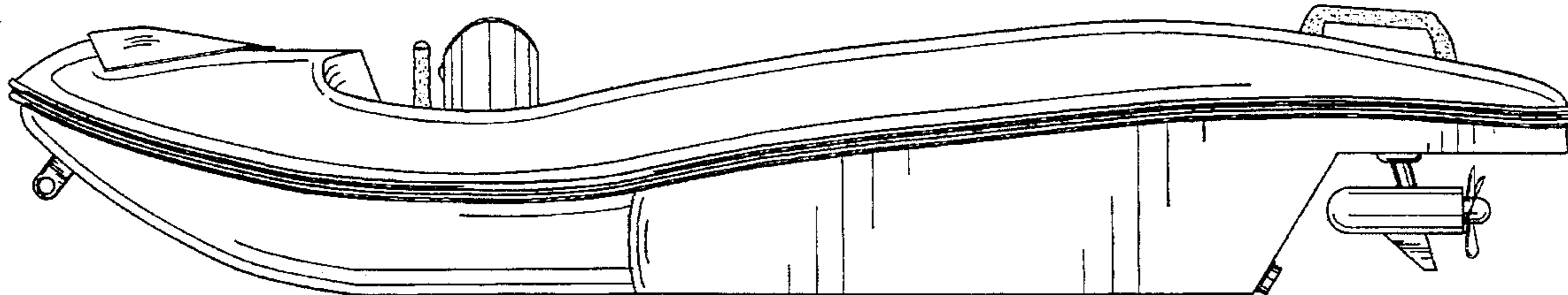
[57] **CLAIM**

The ornamental design for a personal water craft, as shown and described.

DESCRIPTION

FIG. 1 is a top plan view of a personal water craft showing my new design;
FIG. 2 is a bottom plan view thereof;
FIG. 3 is a front elevational view thereof;
FIG. 4 is a rear elevational view thereof;
FIG. 5 is a right side elevational view thereof; and,
FIG. 6 is a left side elevational view thereof.

1 Claim, 4 Drawing Sheets



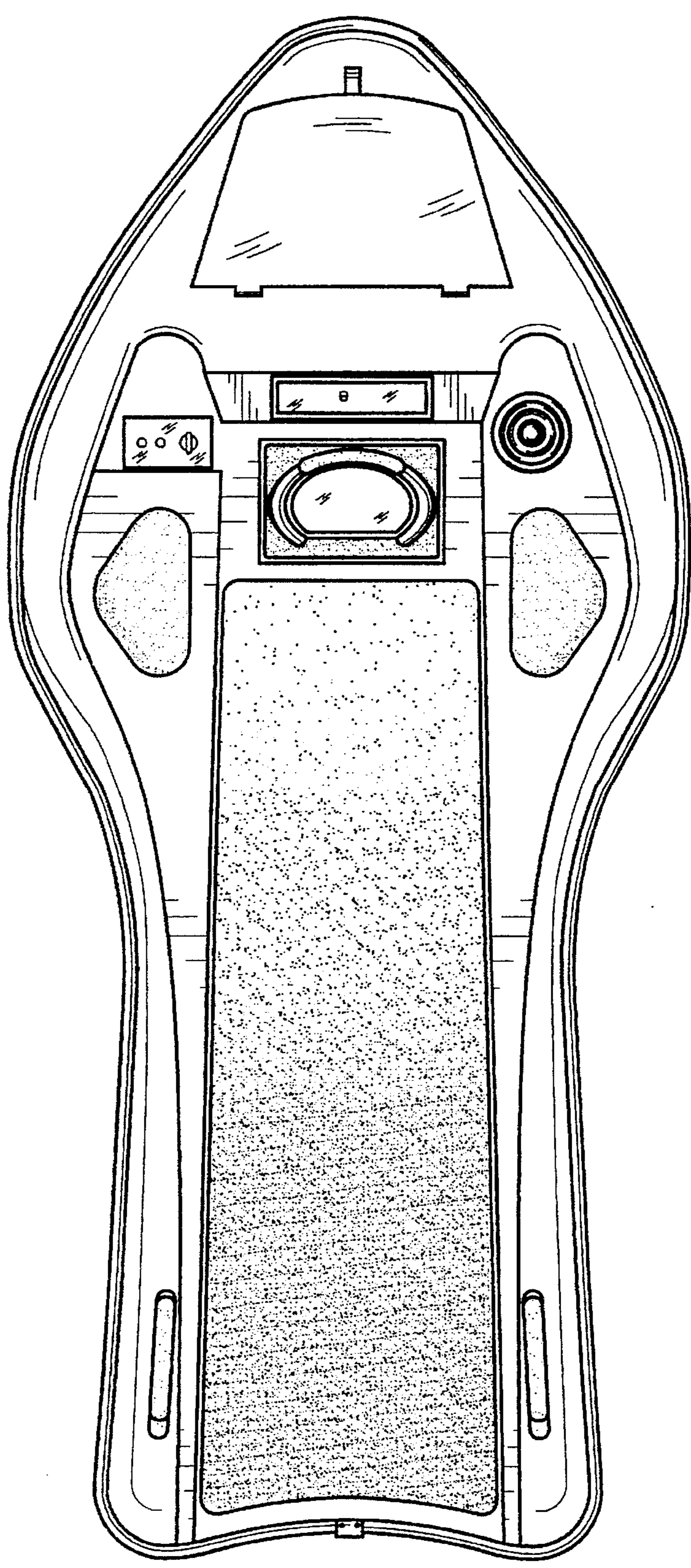


FIG. 1

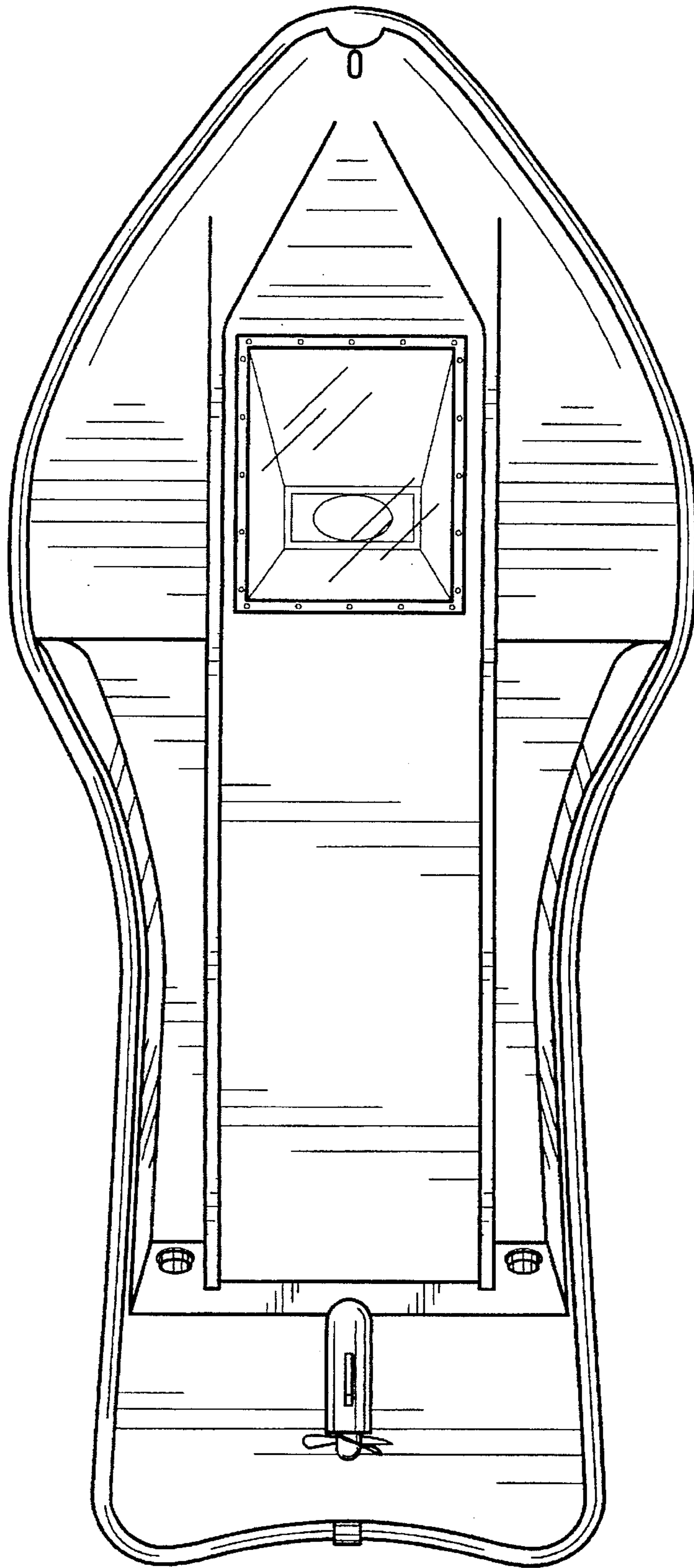


FIG. 2

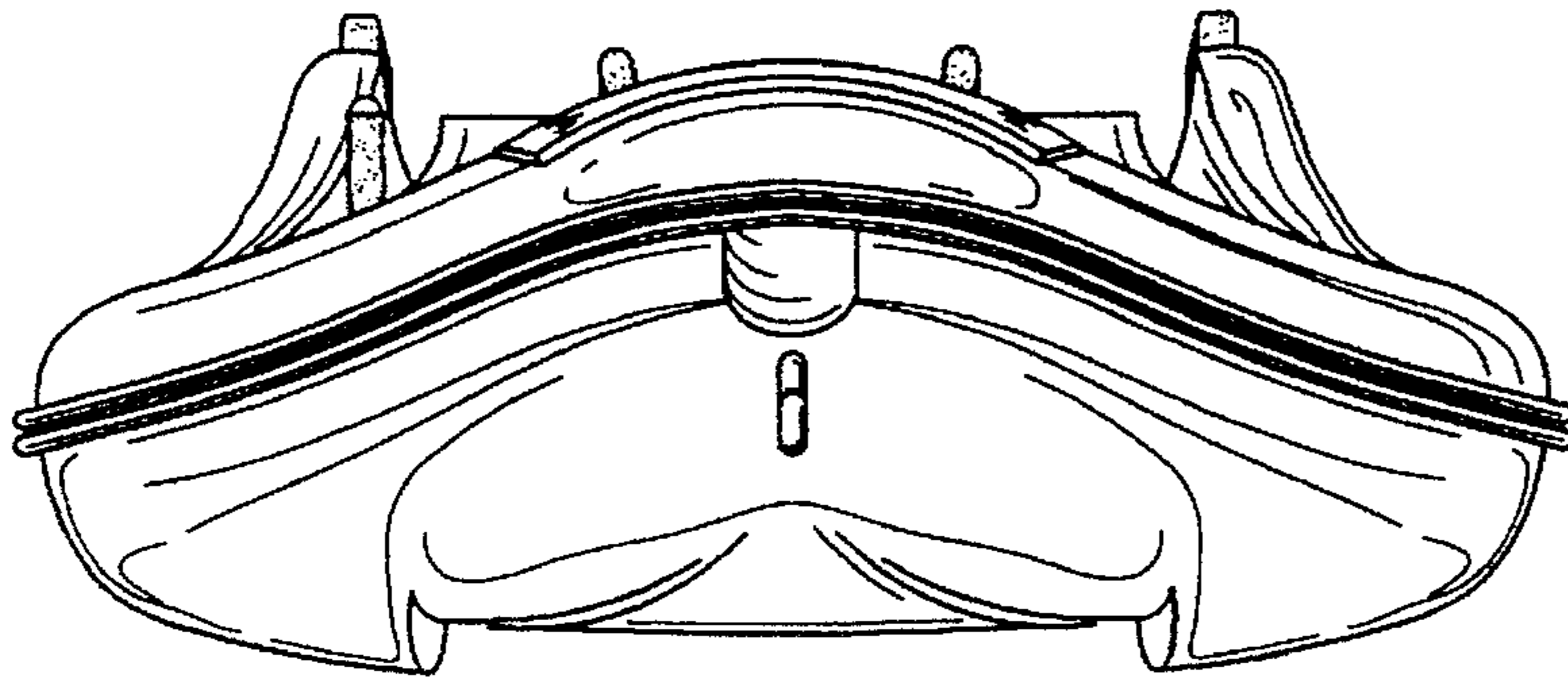


FIG. 3

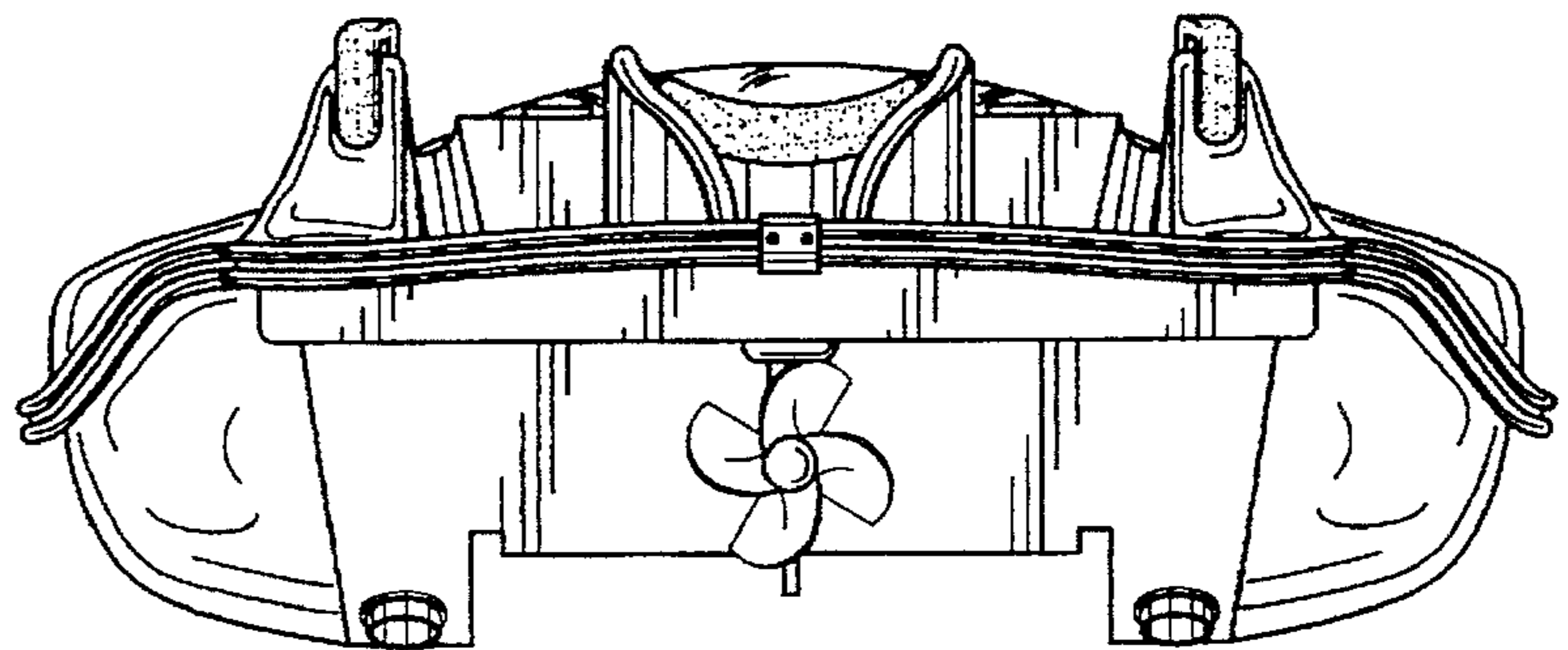


FIG. 4

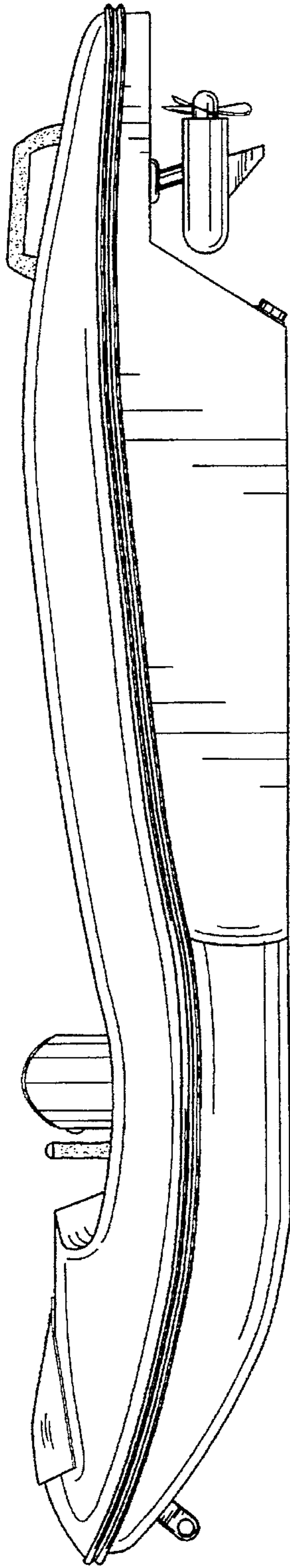


FIG. 5

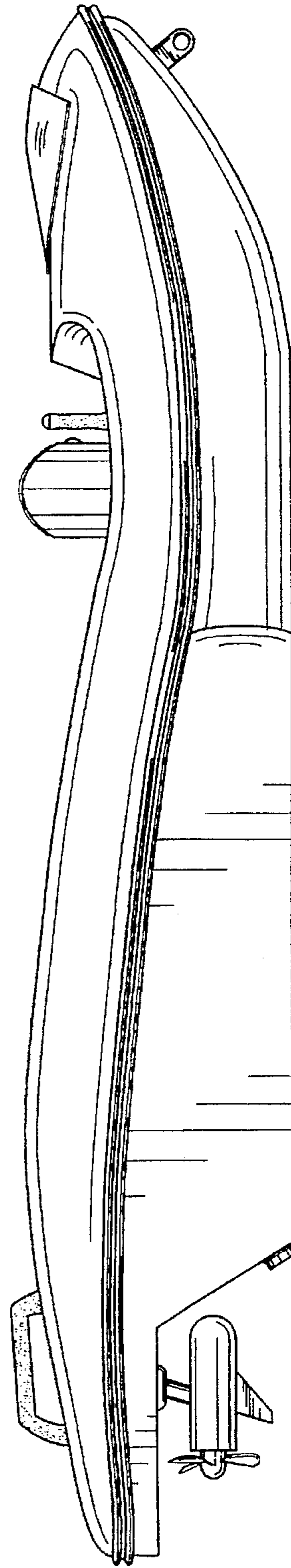


FIG. 6