



US00D380436S

United States Patent [19]

Nimpoeno et al.

[11] Patent Number: **Des. 380,436**

[45] Date of Patent: ****Jul. 1, 1997**

[54] **VEHICLE MOUNT FOR PORTABLE COMPACT DISC PLAYER**

[75] Inventors: **Roy Nimpoeno**, Monterey Park; **Roger J. Alves**, Simi Valley, both of Calif.

[73] Assignee: **Scosche Industries, Inc.**, Moorpark, Calif.

[**] Term: **14 Years**

[21] Appl. No.: **25,739**

[22] Filed: **Jul. 11, 1994**

[51] LOC (6) Cl. **12-06**

[52] U.S. Cl. **D12/223**

[58] Field of Search **D12/223; 248/220.2, 248/681, 225.31; 364/12**

[56] References Cited

U.S. PATENT DOCUMENTS

590,835	9/1897	Harteg et al. .	
1,602,451	10/1926	Reardon .	
1,667,362	4/1928	Van Der Vliet .	
2,549,753	4/1951	Ashman	248/225.31 X
3,070,394	12/1962	Dunn .	
3,369,247	2/1968	Bacow	248/225.31 X
3,604,027	9/1971	Konno .	
3,824,472	7/1974	Engel et al. .	
3,952,154	4/1976	Gates, Jr. .	
4,096,927	6/1978	Takatsu .	
4,399,528	8/1983	Suzuki .	
4,401,298	8/1983	Eaton et al. .	
4,455,948	6/1984	Torres .	
4,457,501	7/1984	Davis .	

4,602,358	7/1986	Sato .	
4,673,376	6/1987	Fender .	
4,682,319	7/1987	Einhaus .	
4,721,414	1/1988	Akiyama .	
4,790,520	12/1988	Tanaka et al. .	
4,811,314	3/1989	Alves .	
4,886,230	12/1989	Jones et al. .	
5,040,712	8/1991	Pesonen et al.	248/220.2 X
5,054,011	10/1991	Alves .	

FOREIGN PATENT DOCUMENTS

458112	10/1913	France .
476699	5/1915	France .

Primary Examiner—Holly Baynham
Attorney, Agent, or Firm—William W. Haefliger

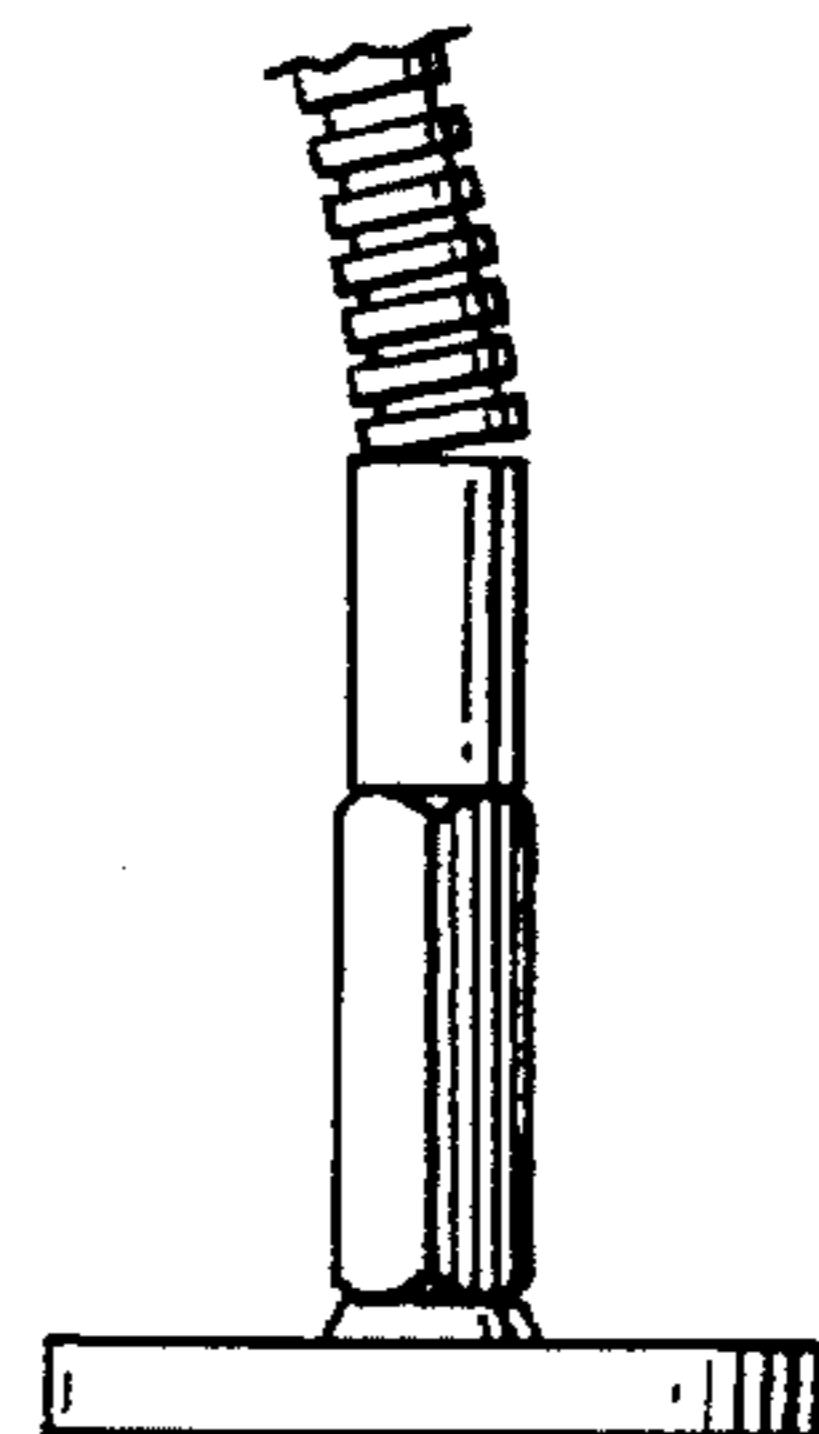
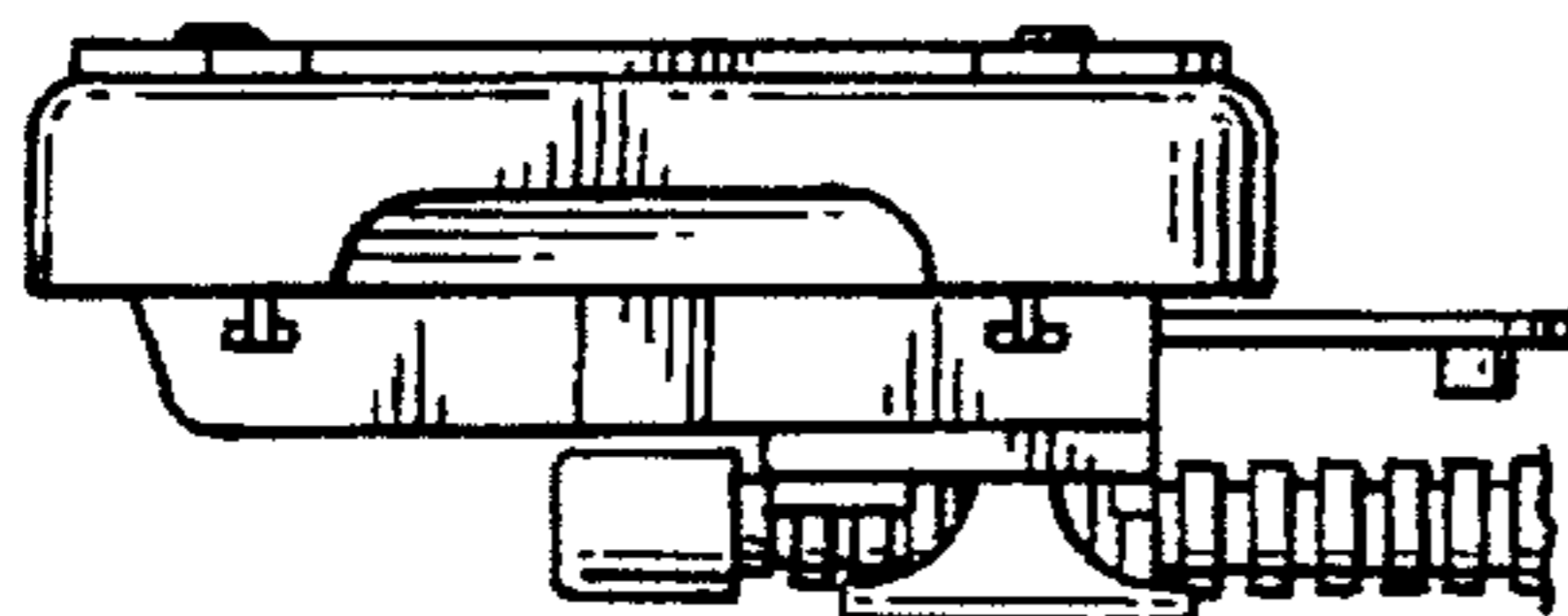
[57] CLAIM

The ornamental design for a vehicle mount for portable compact disc player, as shown and described.

DESCRIPTION

FIG. 1 is a left side elevation view of a vehicle mount for portable compact disc player with the right view being a mirror image;
FIG. 2 is a rear elevation view;
FIG. 3 is a front elevational view.
The cable element of the claimed design is shown broken away to indicate indeterminate length.
The support is shown separately for clarity of illustration.
The top and bottom plan views of the vehicle mount for a portable compact disc player form no part of the claim design.

1 Claim, 2 Drawing Sheets



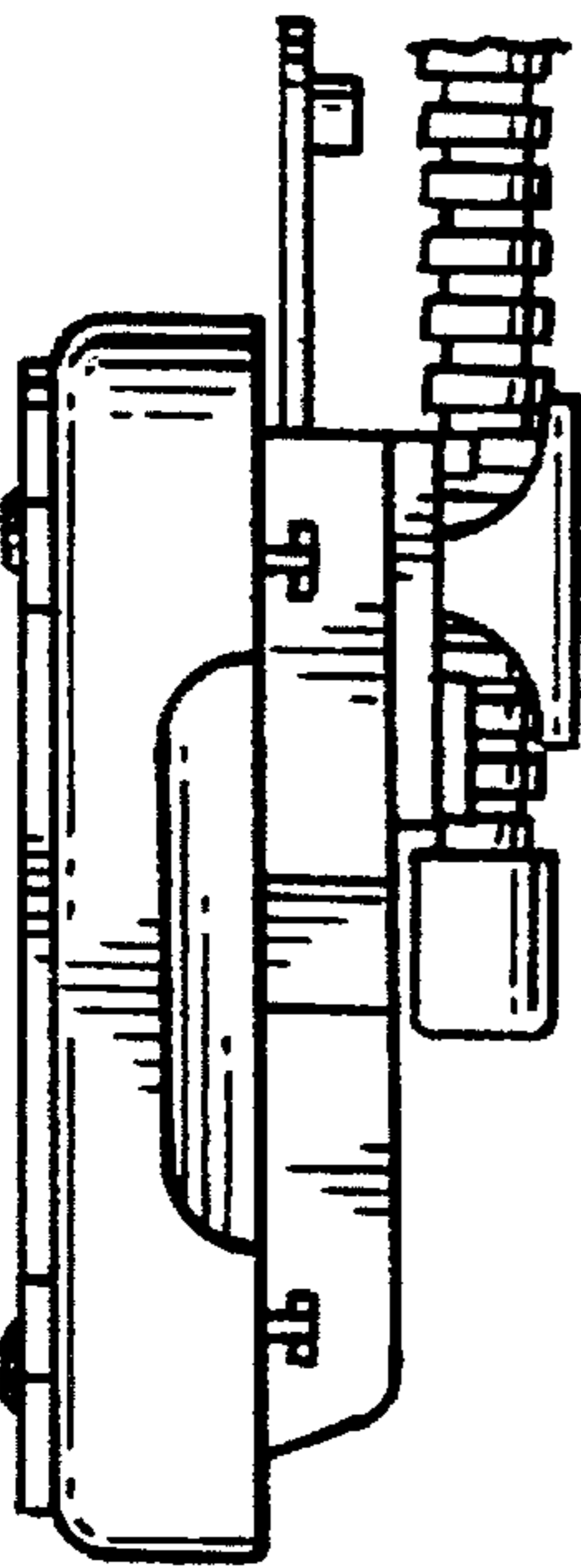


FIG. 1.

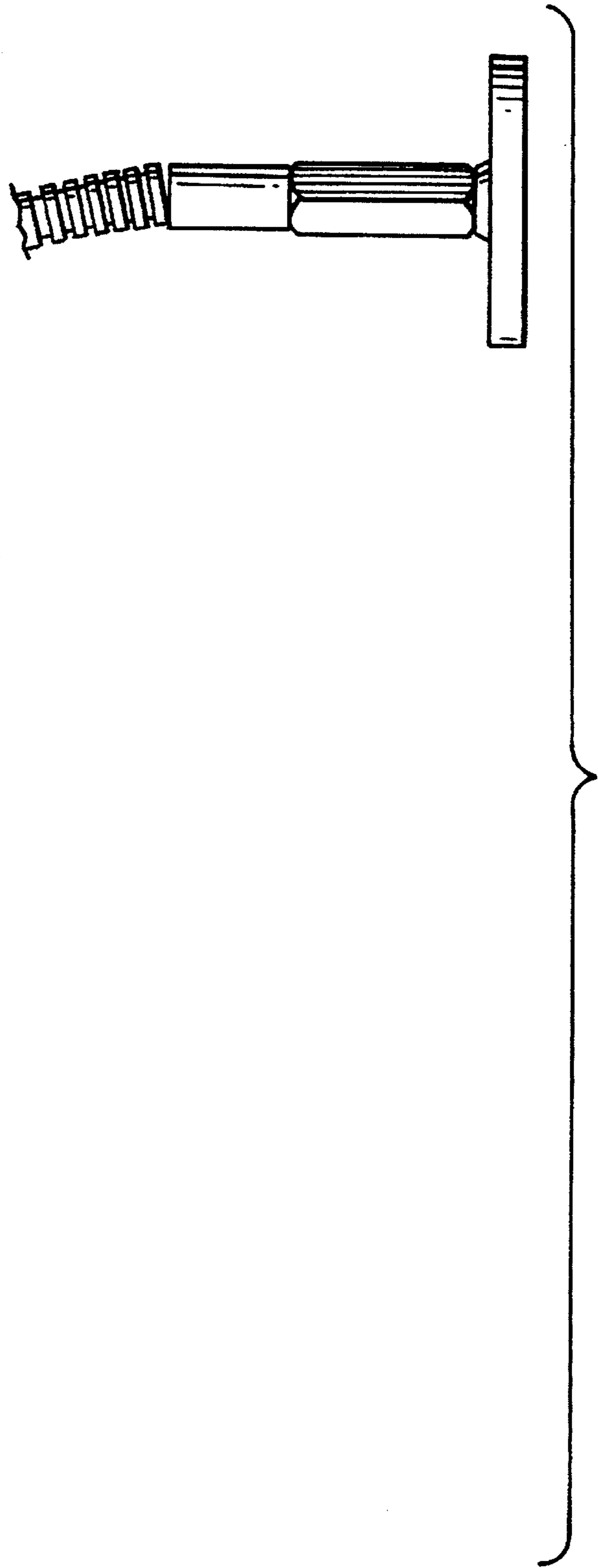


FIG. 2.

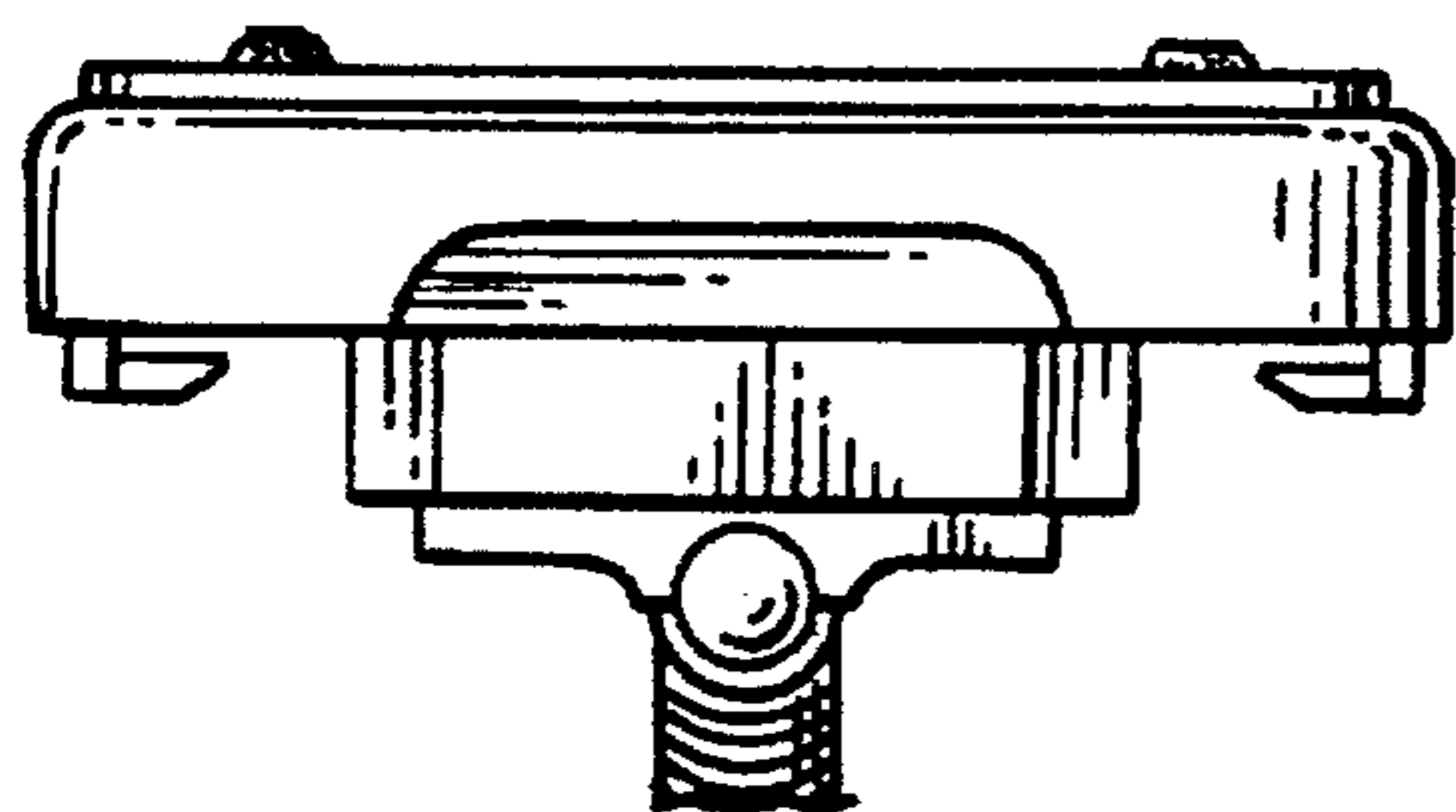


FIG. 3.

