



US00D380432S

**United States Patent** [19]  
**Hettler**

[11] **Patent Number:** **Des. 380,432**

[45] **Date of Patent:** **\*\*Jul. 1, 1997**

[54] **FRONT FACE OF A VEHICLE WHEEL**

[75] **Inventor:** **Jan Hettler, Munich, Germany**

[73] **Assignee:** **Bayerische Motoren Werke AG,  
Munich, Germany**

[\*\*] **Term:** **14 Years**

[21] **Appl. No.:** **28,477**

[22] **Filed:** **Sep. 16, 1994**

[30] **Foreign Application Priority Data**

Mar. 16, 1994 [DE] Germany ..... 94 02 369.7

[51] **LOC (6) Cl.** ..... **12-16**

[52] **U.S. Cl.** ..... **D12/209**

[58] **Field of Search** ..... **D12/209, 211;  
301/37.1, 64.1, 65**

[56] **References Cited  
PUBLICATIONS**

Custom Wheel & Tire Guide p. 15 May 1994 (Evo Type 20).

*Primary Examiner*—Marcus A. Jackson  
*Attorney, Agent, or Firm*—Evenson, McKeown, Edwards &  
Lenahan, P.L.L.C.

[57] **CLAIM**

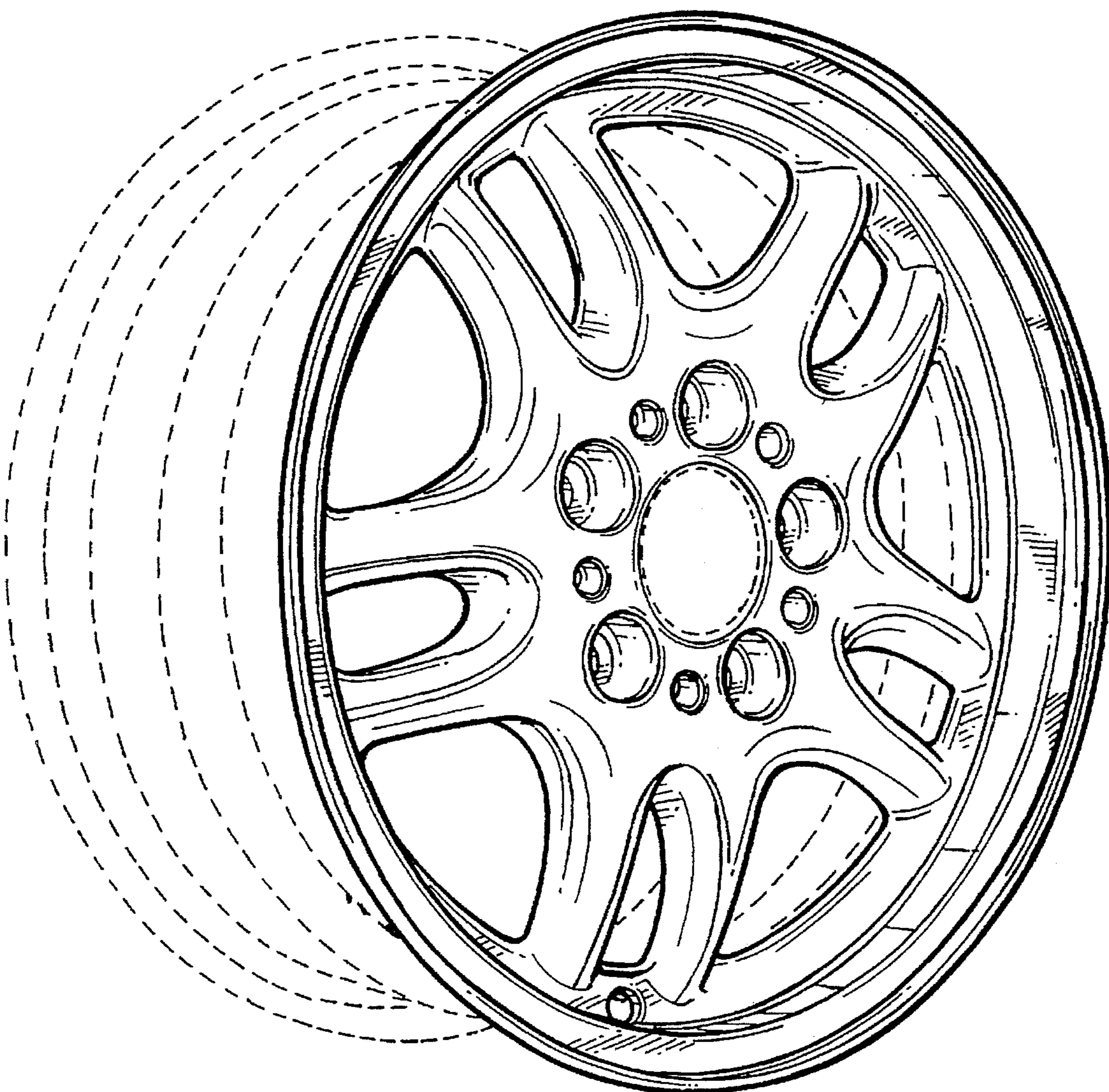
The ornamental design for a front face of a vehicle wheel,  
as shown and described.

**DESCRIPTION**

FIG. 1 is a front perspective view of a front face of a vehicle  
wheel according to my novel design; and,  
FIG. 2 is a front view of a front face of a vehicle wheel  
according to my novel design.

The broken lines shown in the drawings illustrate environ-  
mental structure only and form no part of the claimed  
design.

**1 Claim, 2 Drawing Sheets**



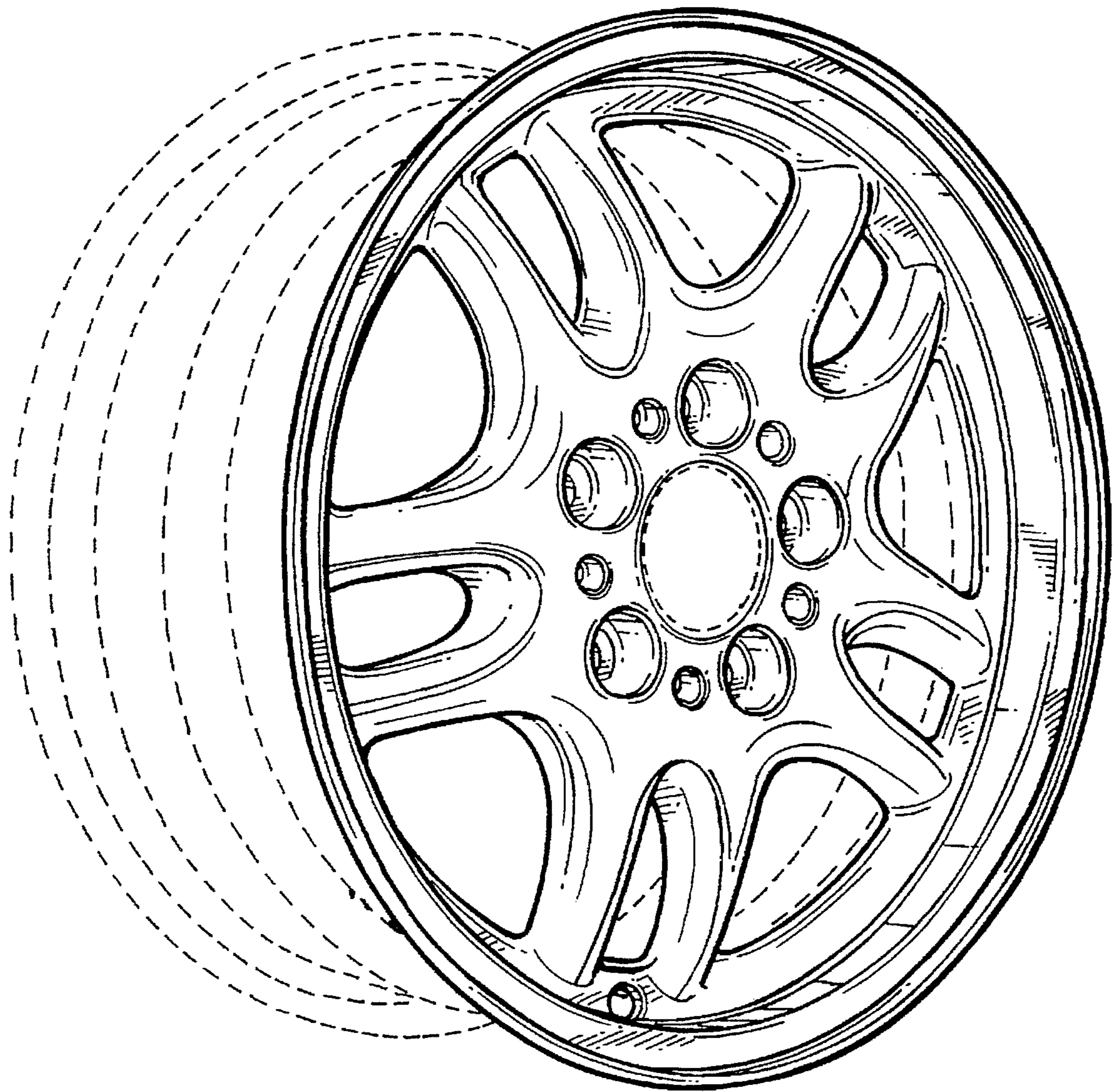


FIG. 1

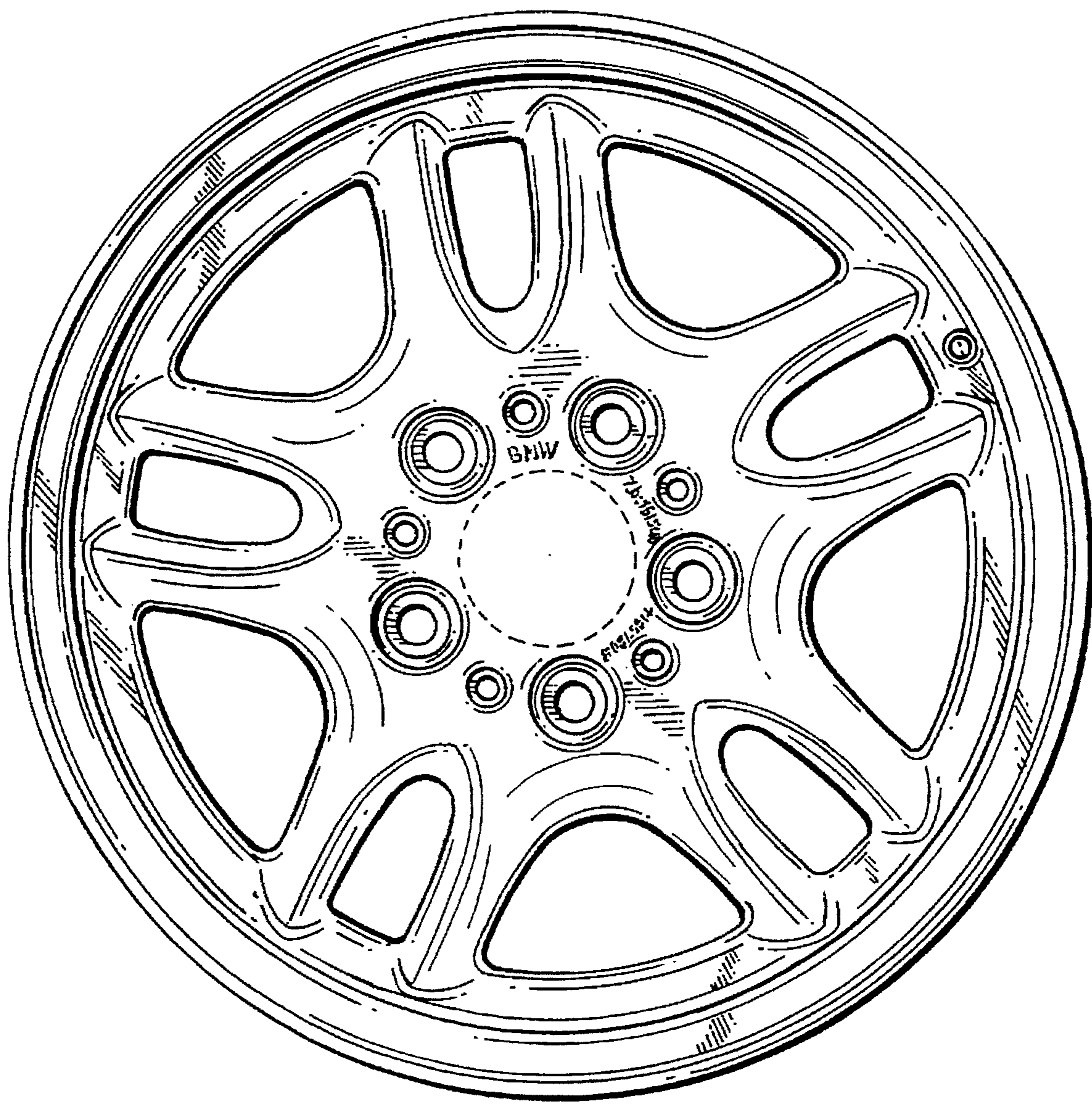


FIG. 2