



US00D380429S

United States Patent [19]

Clark et al.

[11] Patent Number: **Des. 380,429**

[45] Date of Patent: ****Jul. 1, 1997**

[54] **LICENSE PLATE HOLDER HAVING CHAIN-LINK ORNAMENTATION**

[75] Inventors: **Lawrence E. Clark; Peter S. Reynolds**, both of Miami, Fla.

[73] Assignee: **Quest Industries, Inc.**, Miami, Fla.

[**] Term: **14 Years**

[21] Appl. No.: **47,166**

[22] Filed: **Nov. 28, 1995**

[51] **LOC (6) Cl.** **12-16**

[52] **U.S. Cl.** **D12/193**

[58] **Field of Search** **D12/193; D6/300, D6/303, 310, 311, 313; D11/99, 133; D20/35; 40/200, 209, 210**

[56] **References Cited**

U.S. PATENT DOCUMENTS

D. 298,023	10/1988	Corey	D12/193
D. 326,079	5/1992	Schmitz et al.	D12/193
D. 331,217	11/1992	Spencer	D12/193
D. 332,596	1/1993	Corey	D12/193
D. 348,425	7/1994	Leu	D12/193

D. 352,022 11/1994 Liu D12/193

Primary Examiner—Freda Nunn

[57] **CLAIM**

The ornamental design for a license plate holder having chain-link ornamentation, as shown and described.

DESCRIPTION

FIG. 1 is a front, left-side and top perspective view of a license plate holder having chain-link ornamentation showing our new design;

FIG. 2 is a front-side view of the license plate holder having chain-link ornamentation shown in FIG. 1;

FIG. 3 is a right-side view of the license plate holder having chain-link ornamentation shown in FIG. 1;

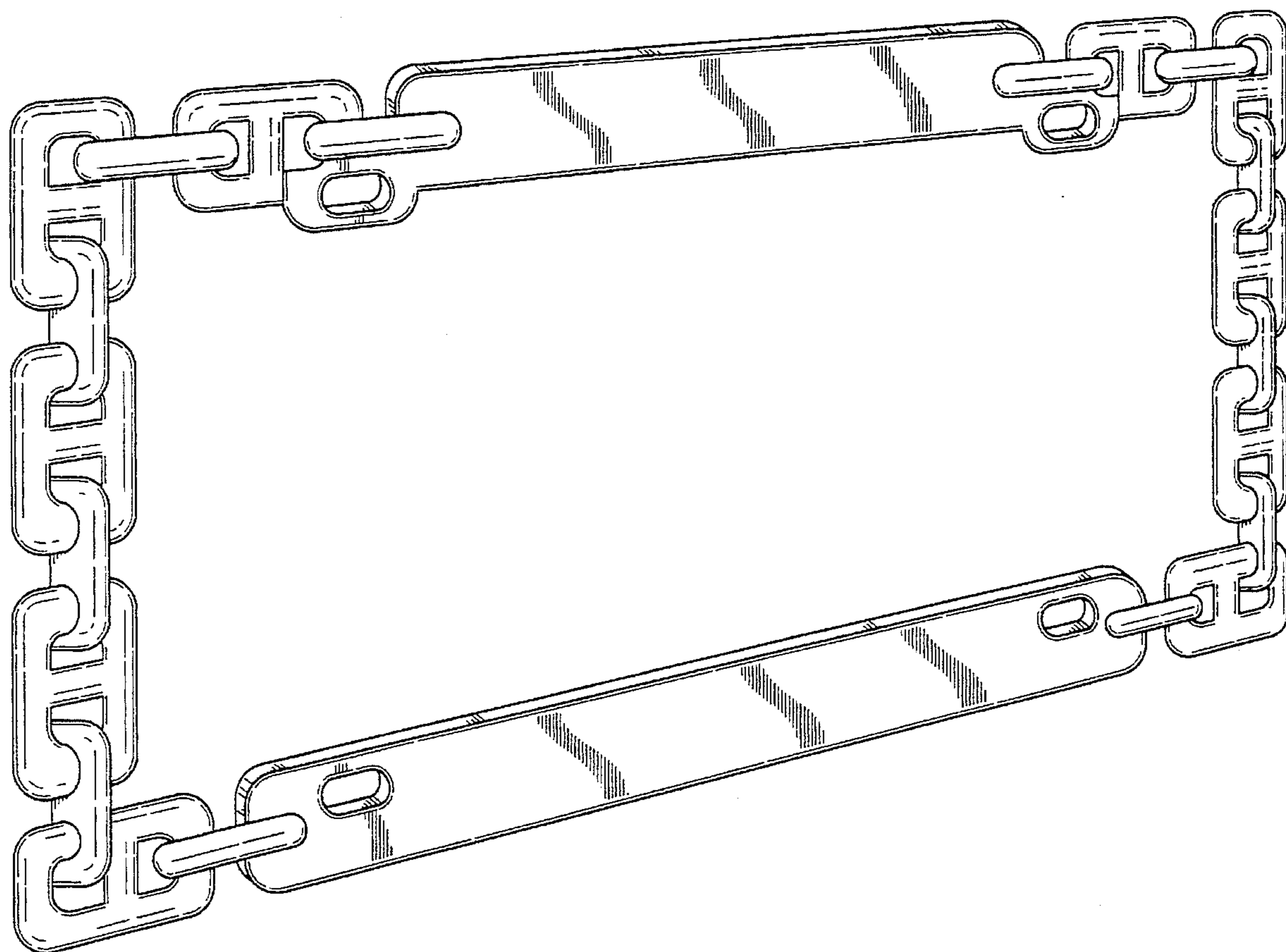
FIG. 4 is a left-side view of the license plate holder having chain-link ornamentation shown in FIG. 1;

FIG. 5 is a bottom view of the license plate holder having chain-link ornamentation shown in FIG. 1;

FIG. 6 is a top view of the license plate holder having chain link-ornamentation shown in FIG. 1; and,

FIG. 7 is a back-side view of license plate holder having chain-link ornamentation shown in FIG. 1.

1 Claim, 5 Drawing Sheets



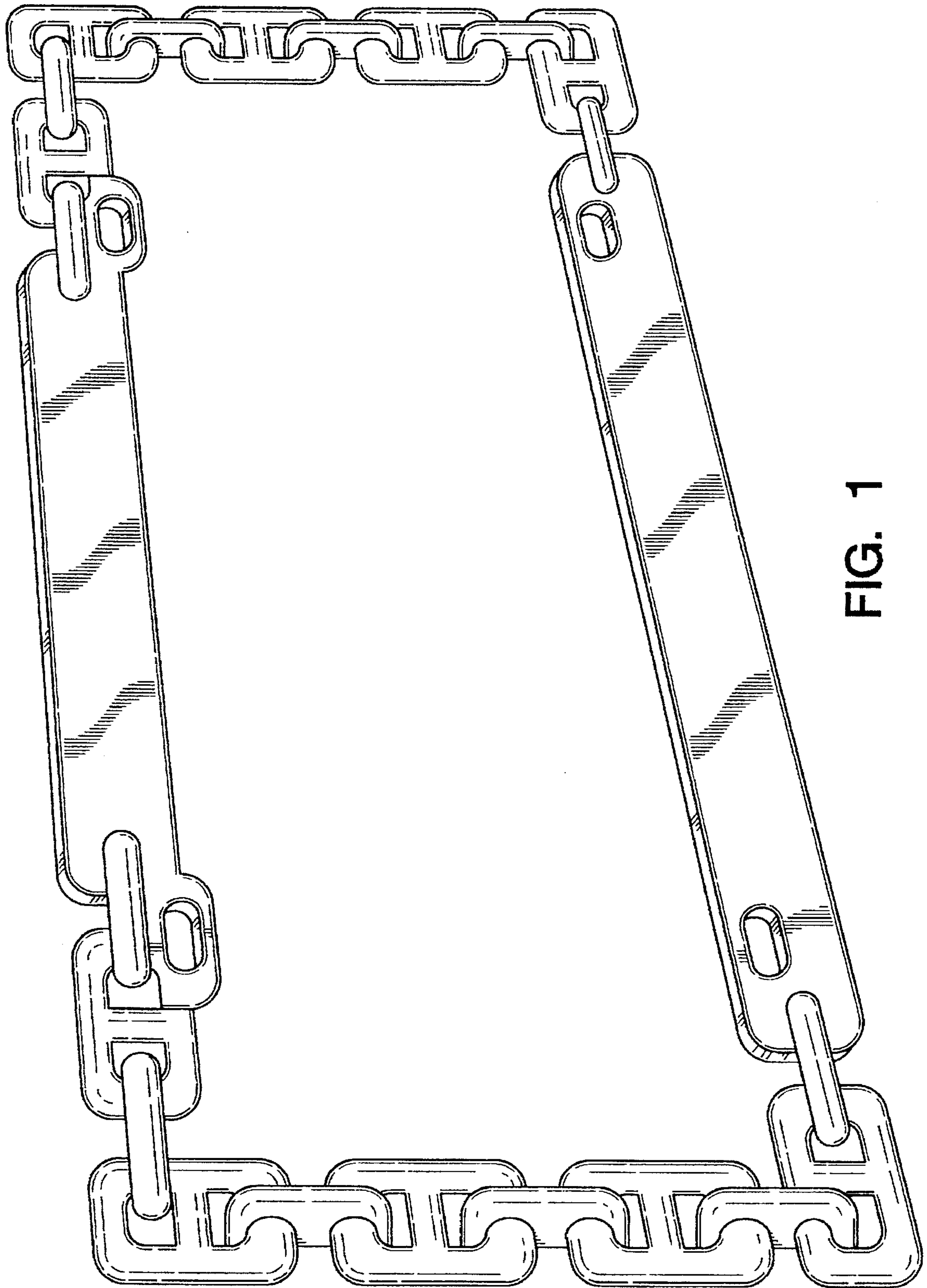


FIG. 1

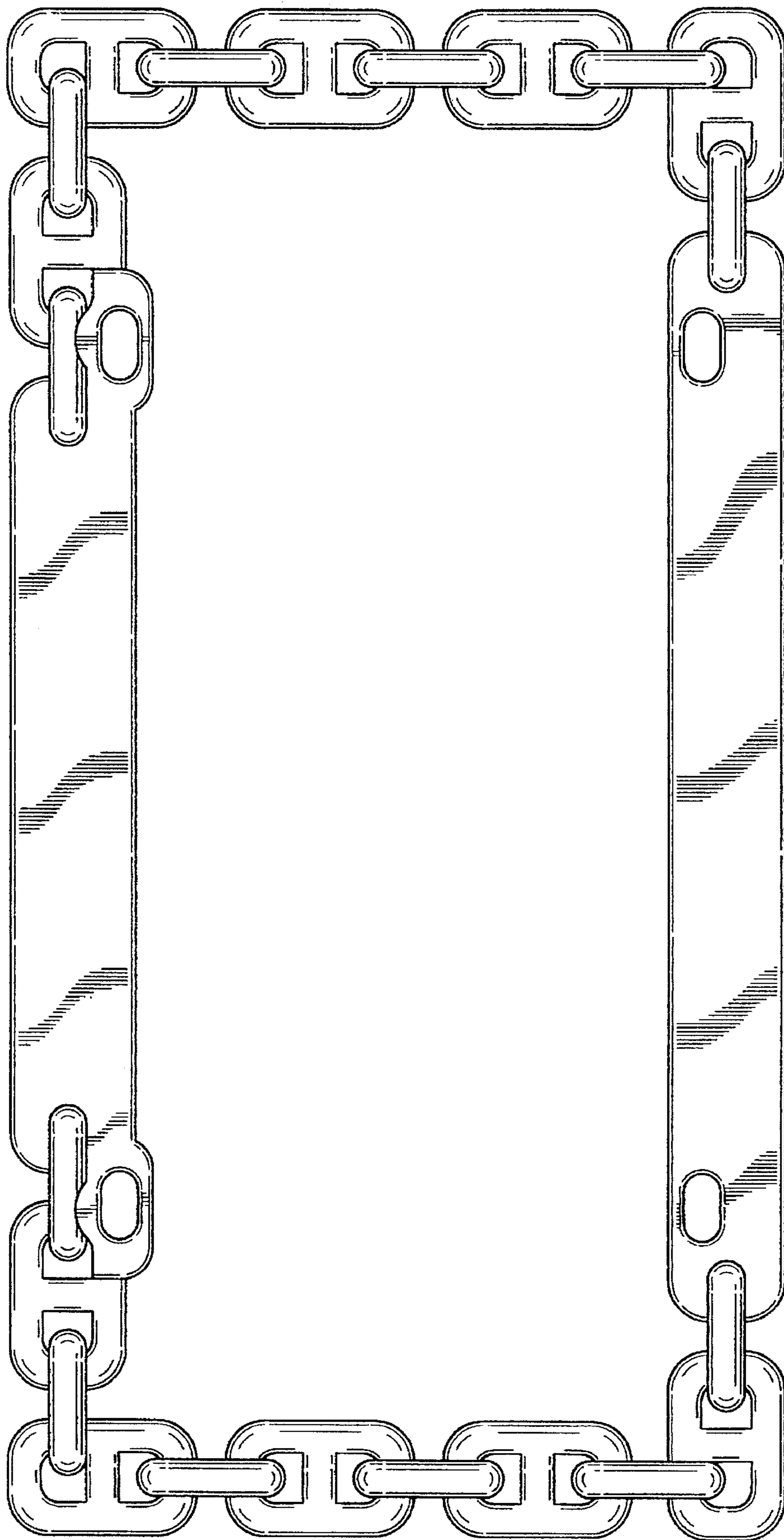


FIG. 2

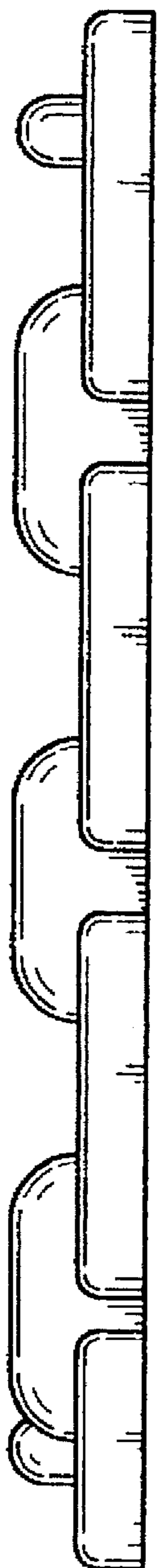


FIG. 3

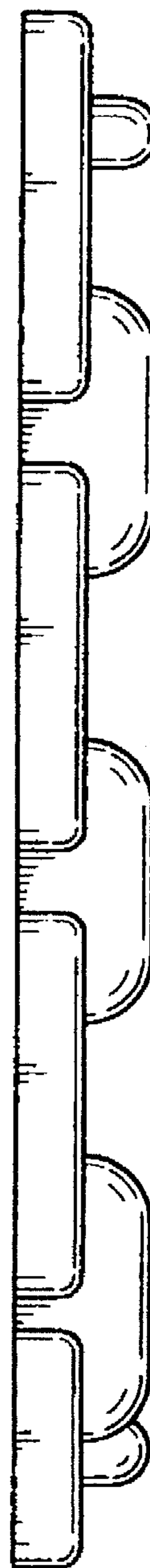


FIG. 4



FIG. 5



FIG. 6

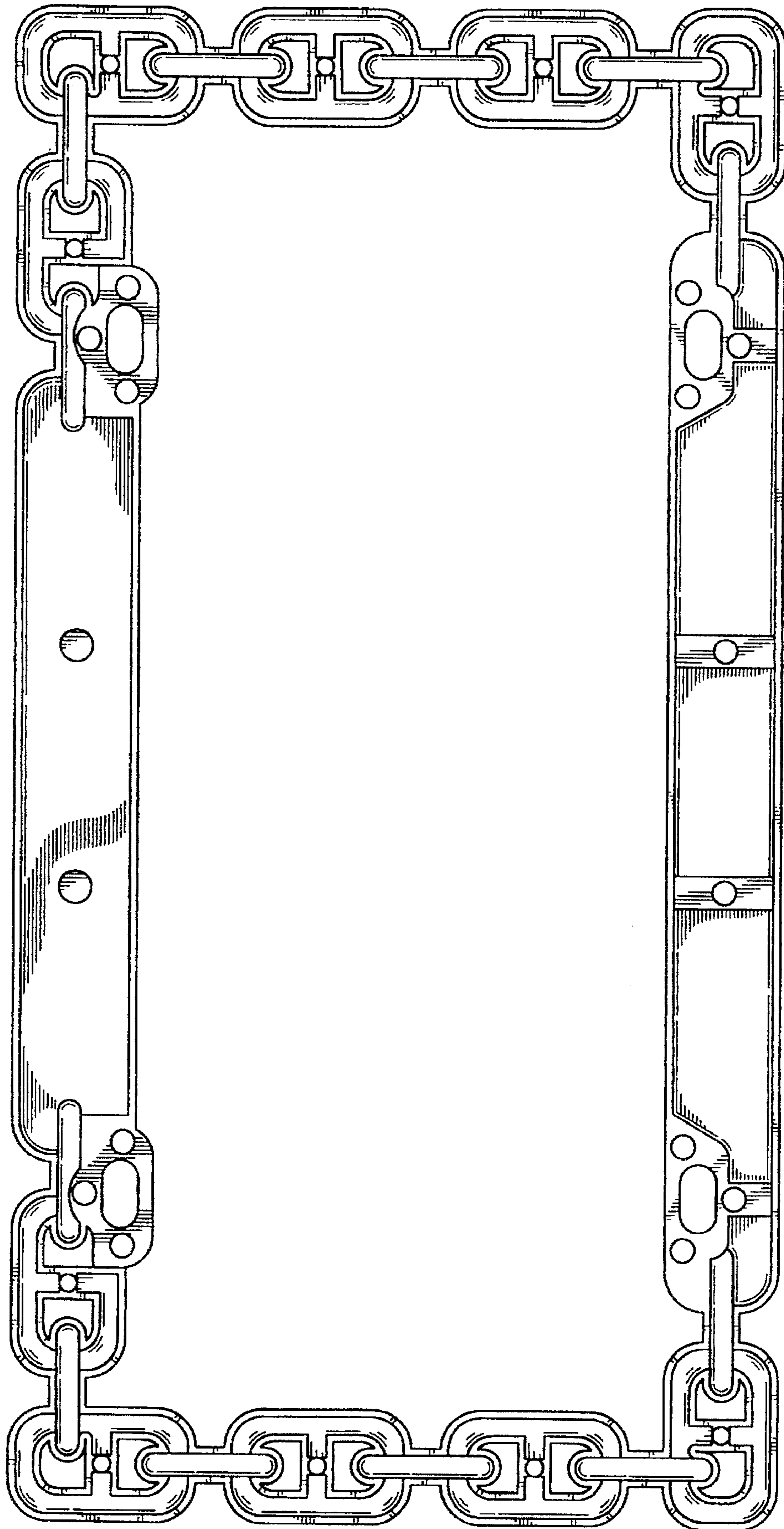


FIG. 7