



US00D380418S

United States Patent [19]

Michael

[11] Patent Number: **Des. 380,418**

[45] Date of Patent: ****Jul. 1, 1997**

[54] **CHANGEABLE FACE BUTTON**

3,141,211 7/1964 Blake D11/226

[76] Inventor: **Allan G. Michael**, 5811 58 Ave., Ste. 205., Red Deer, AB T4N 4T9, Canada

Primary Examiner—Ralf Seifert
Attorney, Agent, or Firm—Harold H. Dutton, Jr.; W. Charles L. Jamison; Diane F. Liebman

[**] Term: **14 Years**

[57] **CLAIM**

[21] Appl. No.: **47,624**

The ornamental design for a changeable face button, as shown and described.

[22] Filed: **Dec. 8, 1995**

DESCRIPTION

[51] LOC (6) Cl. **02-07**

[52] U.S. Cl. **D11/222**

[58] Field of Search D11/200, 222,
D11/226, 228; 24/90.1, 90.5, 92, 94, 95;
63/2

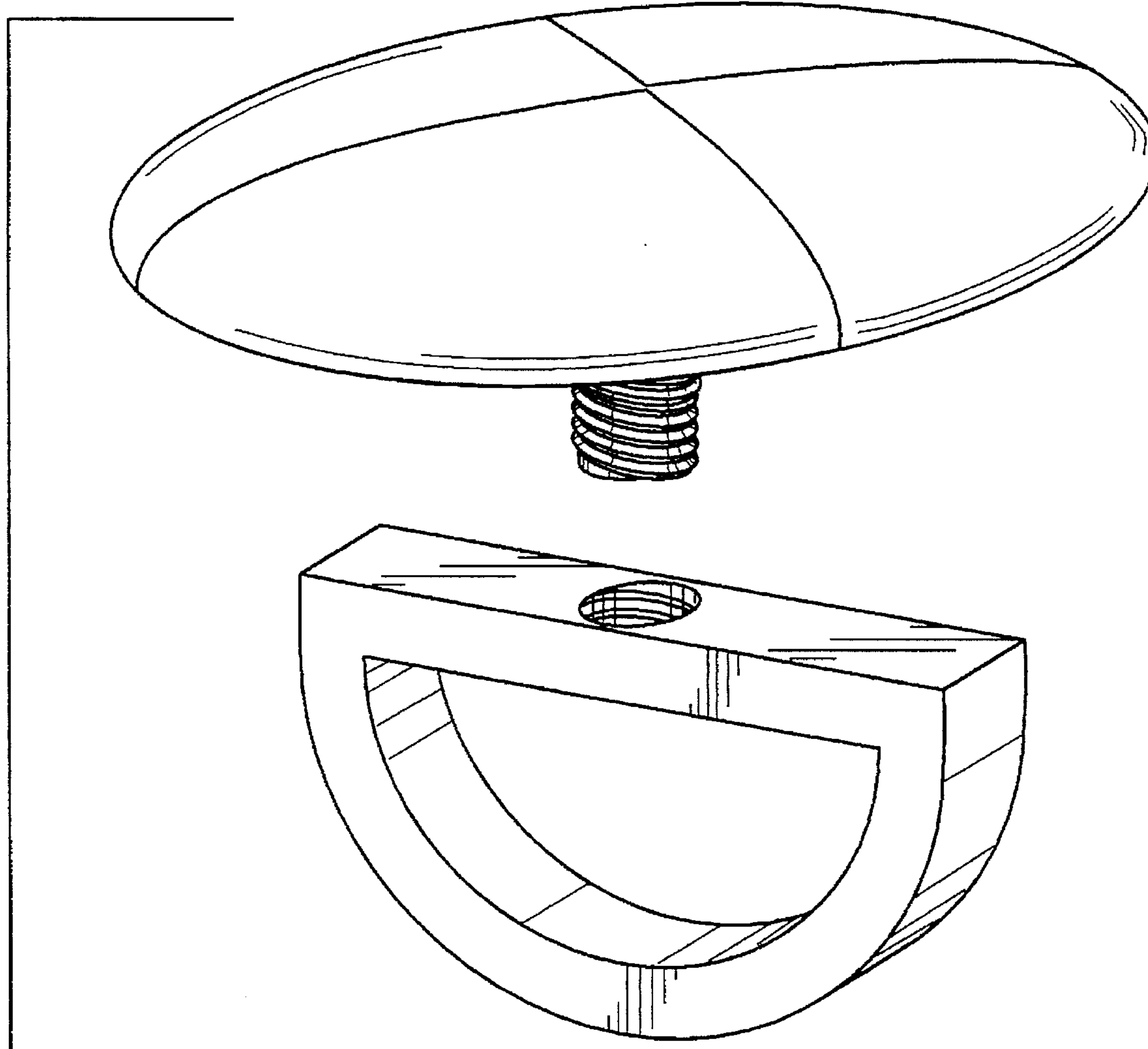
FIG. 1 is a perspective view of a changeable face button showing my new design;
FIG. 2 is a front view thereof;
FIG. 3 is a right side view thereof;
FIG. 4 is a top view thereof; and,
FIG. 5 is a bottom view thereof.
The rear view is a mirror image of FIG. 2, and the left side view is a mirror image of FIG. 3.

[56] **References Cited**

U.S. PATENT DOCUMENTS

- D. 337,967 8/1993 Wright D11/222
- D. 354,720 1/1995 Estes D11/222
- 2,428,601 10/1947 Williams D11/226

1 Claim, 3 Drawing Sheets



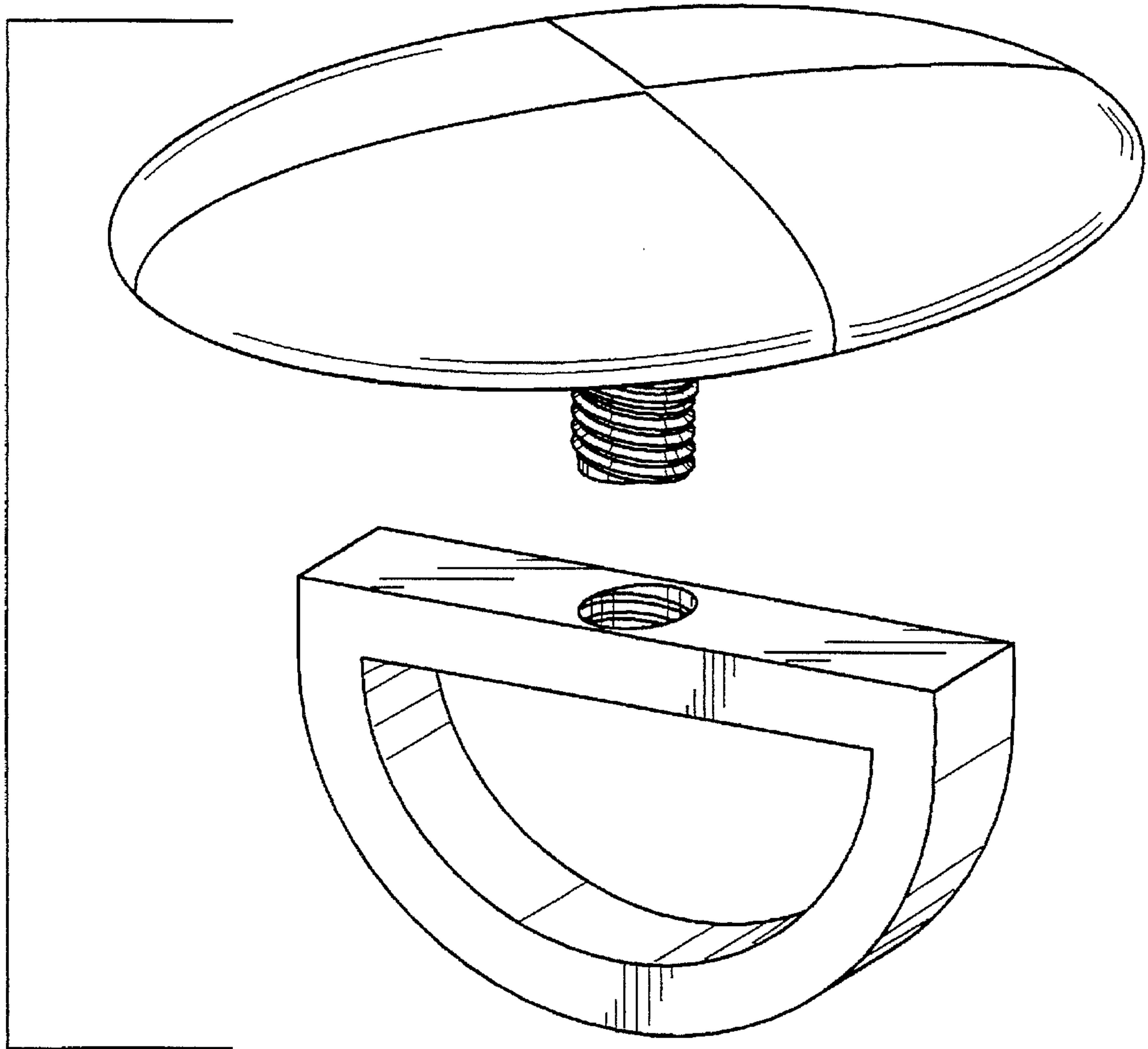


FIG. 1

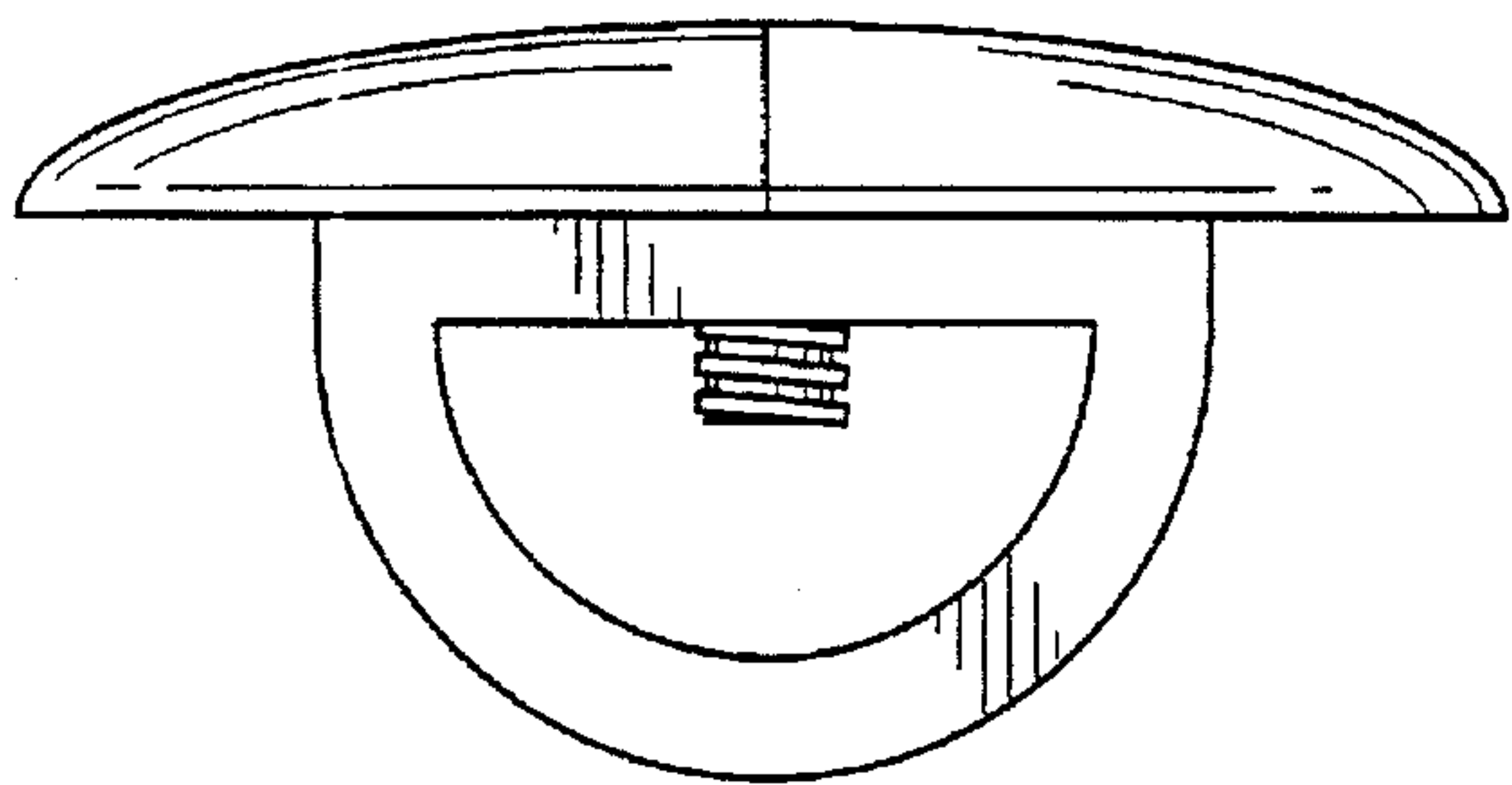


FIG. 2

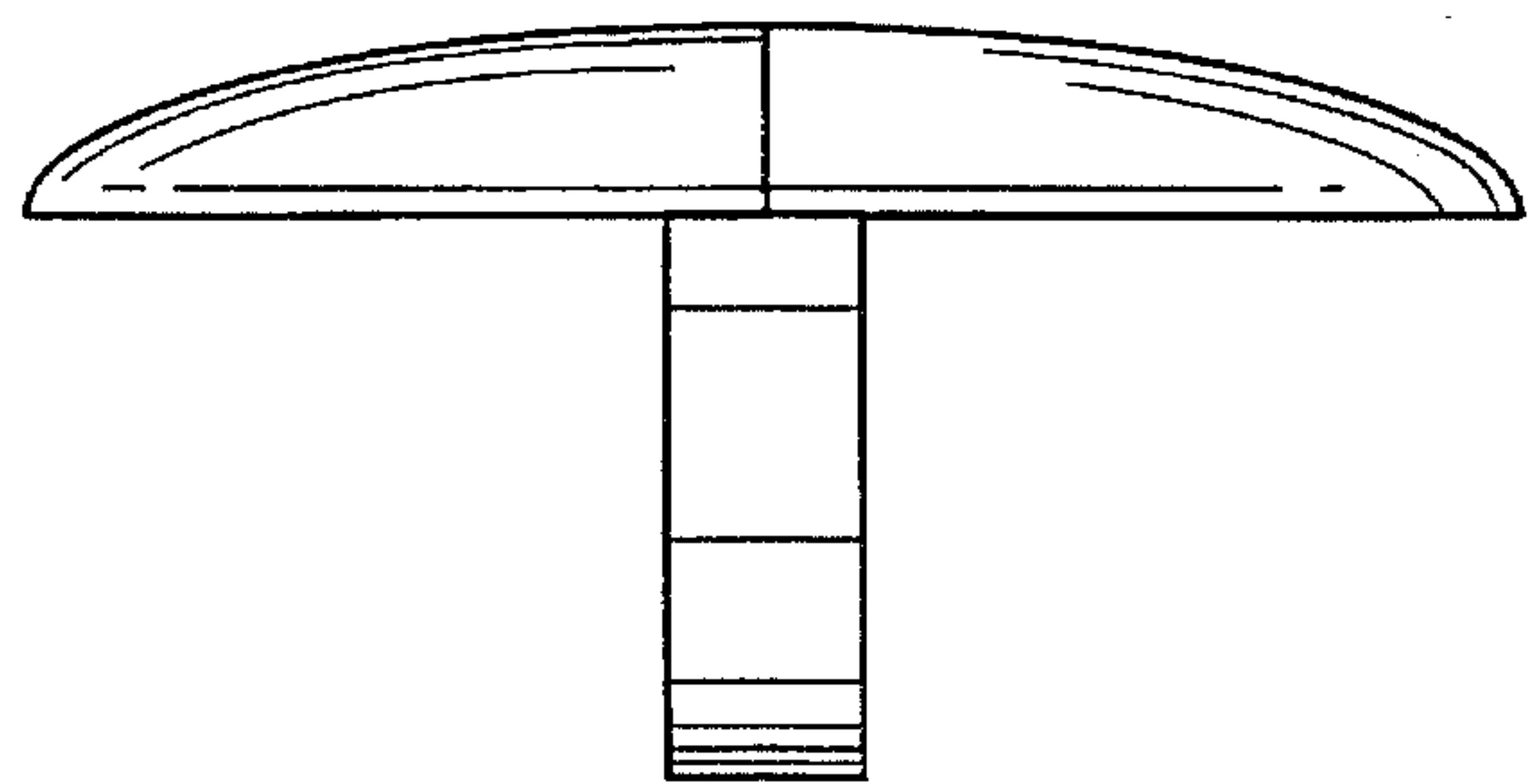


FIG. 3

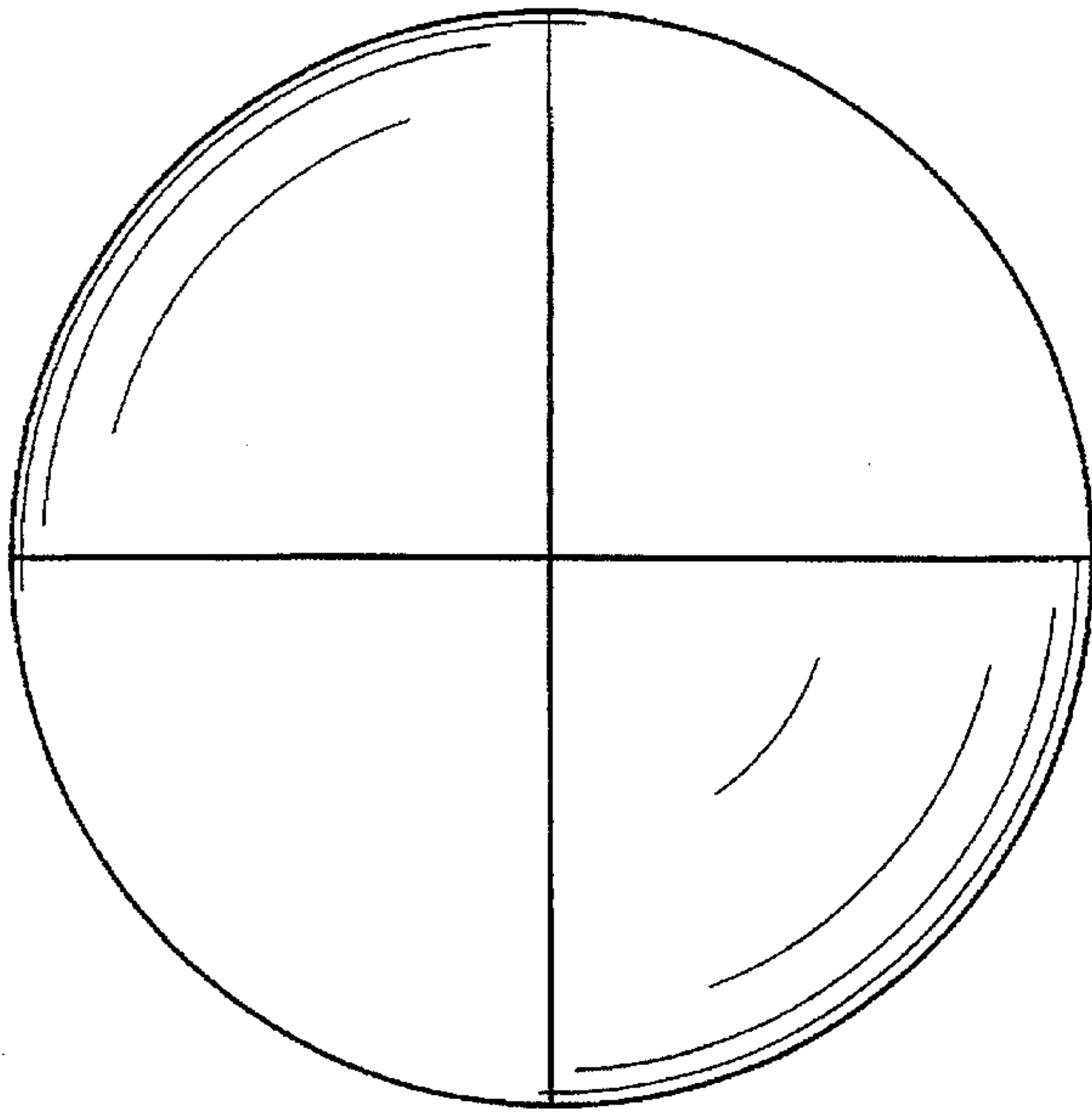


FIG. 4

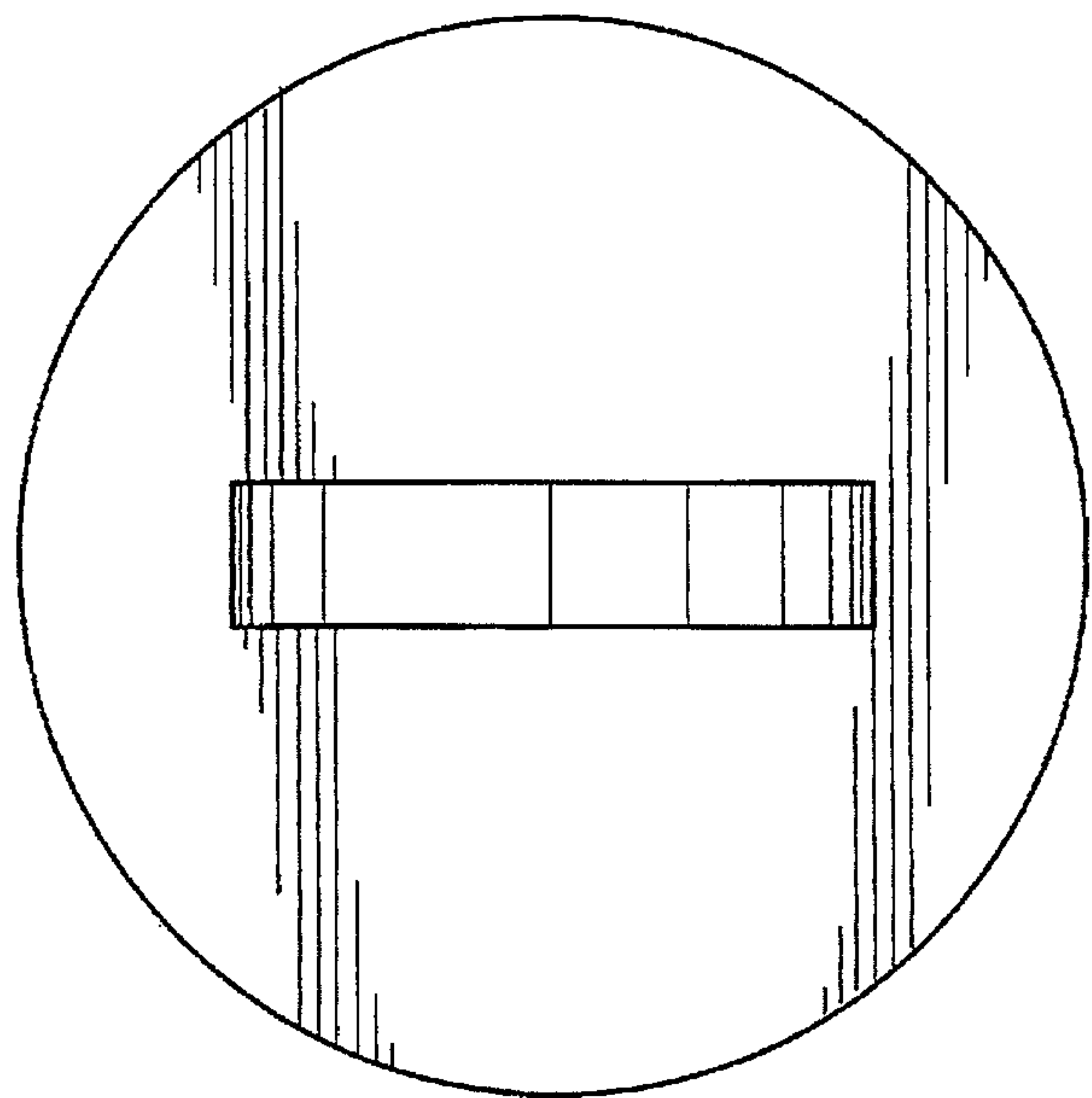


FIG. 5