



US00D380400S

United States Patent [19]

[11] Patent Number: **Des. 380,400**

Peard

[45] Date of Patent: ****Jul. 1, 1997**

[54] **DEVICE FOR MEASURING LENGTHS OF TAPE**

[76] Inventor: **Dustin Peard**, 7449 Anderson La., Citrus Heights, Calif. 95610

[**] Term: **14 Years**

[21] Appl. No.: **41,434**

[22] Filed: **Jul. 14, 1995**

[51] LOC (6) Cl. **10-04**

[52] U.S. Cl. **D10/70; D10/72**

[58] Field of Search D10/70, 71; 242/111-114, 242/47, 84, 283, 309, 403, 403.1, 404.1, 404.2, 405, 406, 407, 405.1, 405.2, 405.3; 360/83-96.6, 137

[56] **References Cited**

U.S. PATENT DOCUMENTS

69,579	10/1867	Palmer .	
351,593	10/1886	Hand .	
732,835	7/1903	Delphey .	
941,637	11/1909	Jameson .	
1,252,483	1/1918	Pattison .	
1,365,710	1/1921	McIlwain et al. .	
1,552,481	9/1925	Gyurcsik .	
1,855,986	4/1932	Rajotte .	
2,156,050	4/1939	Brown	242/113
2,185,327	1/1940	Bell	242/111

2,576,587	11/1951	Furbush	242/405.3 X
2,620,144	12/1952	Cloud	242/113
2,778,583	1/1957	Thurston	242/114
2,819,760	1/1958	Norehad	164/76
4,192,473	3/1980	Wellman	242/84
4,203,561	5/1980	Stillings	242/47

Primary Examiner—Antoine Duval Davis
Attorney, Agent, or Firm—Bernhard Kretten

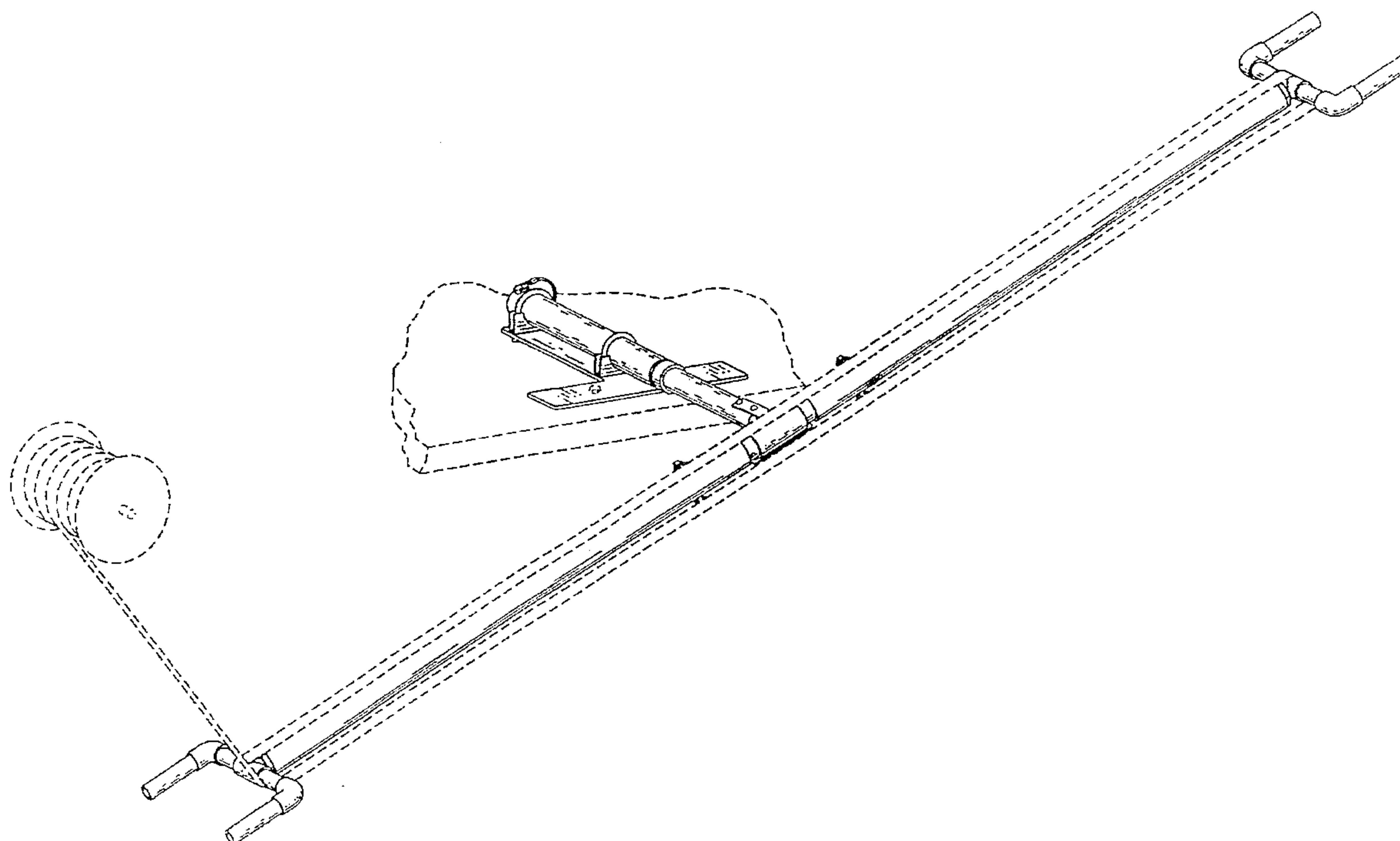
[57] **CLAIM**

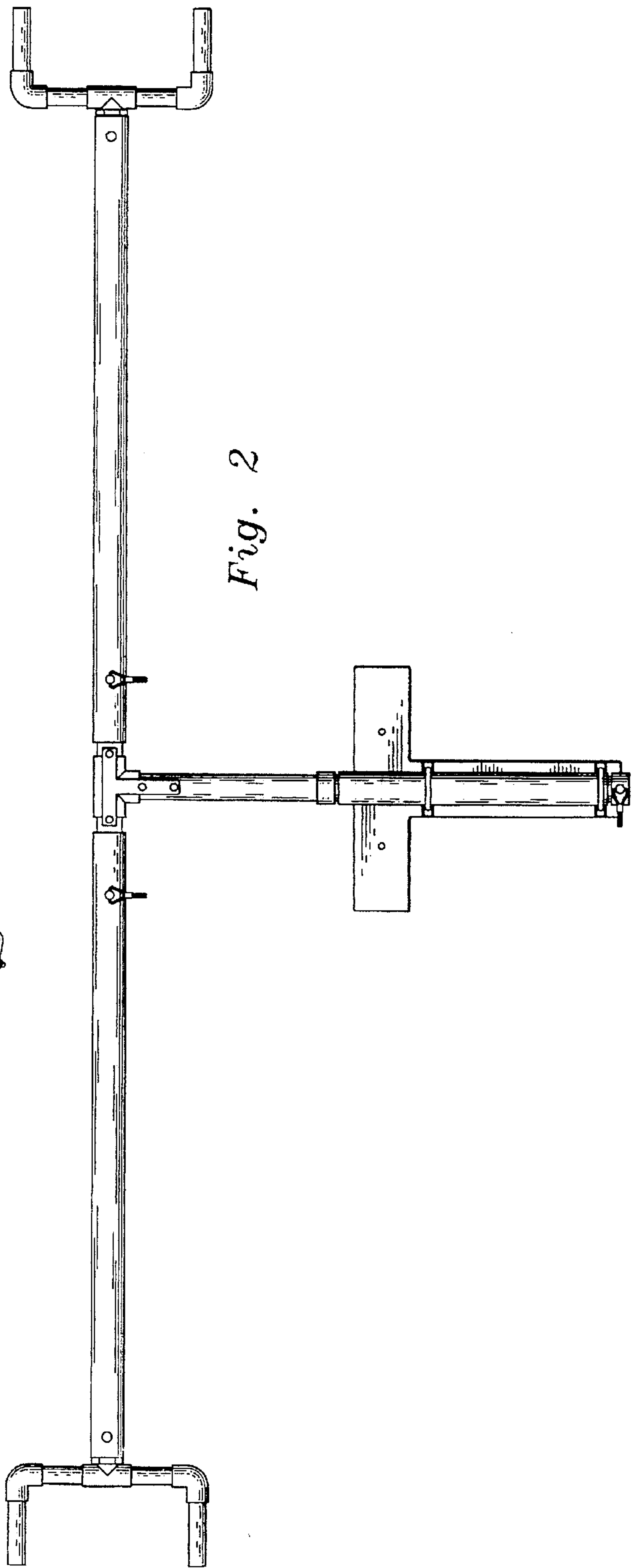
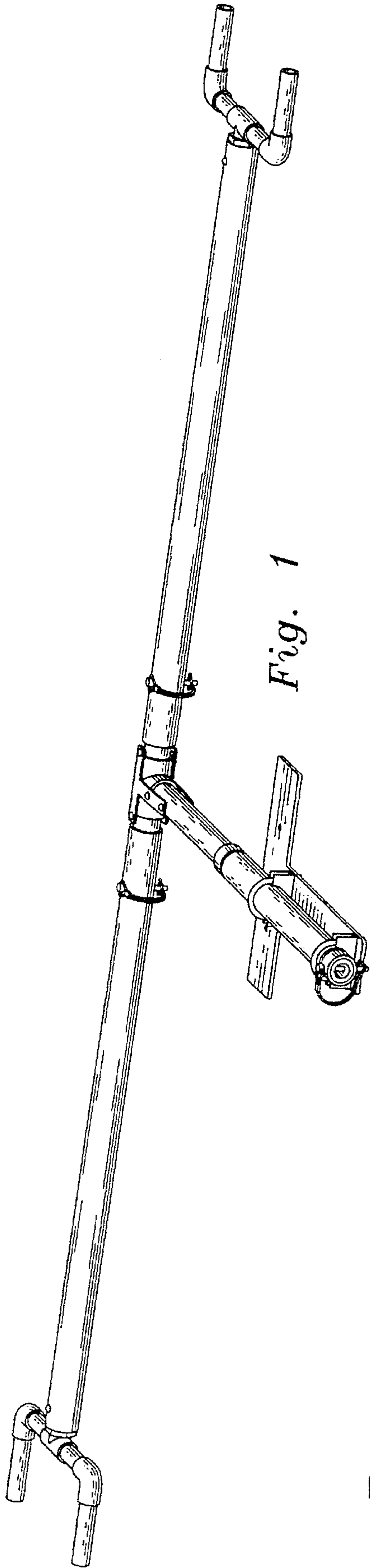
The ornamental design for a device for measuring lengths of tape, as shown and described.

DESCRIPTION

FIG. 1 is a perspective view of a device for measuring lengths of tape showing my new design;
 FIG. 2 is a top view thereof;
 FIG. 3 is a rear view thereof;
 FIG. 4 is a bottom view thereof;
 FIG. 5 is a left side view thereof, the right side being a mirror image thereof;
 FIG. 6 is a front view of that which is shown in FIG. 3; and,
 FIG. 7 is a perspective view thereof showing my design in one possible environment.
 The broken-line showing of environmental structure in FIG. 7 is for illustrative purposes only and forms no part of the claimed design.

1 Claim, 3 Drawing Sheets





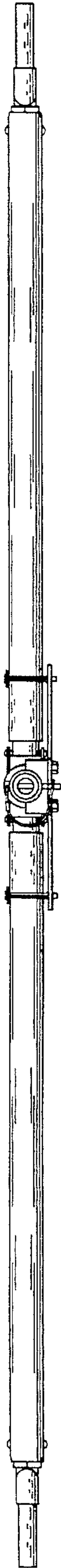


Fig. 3

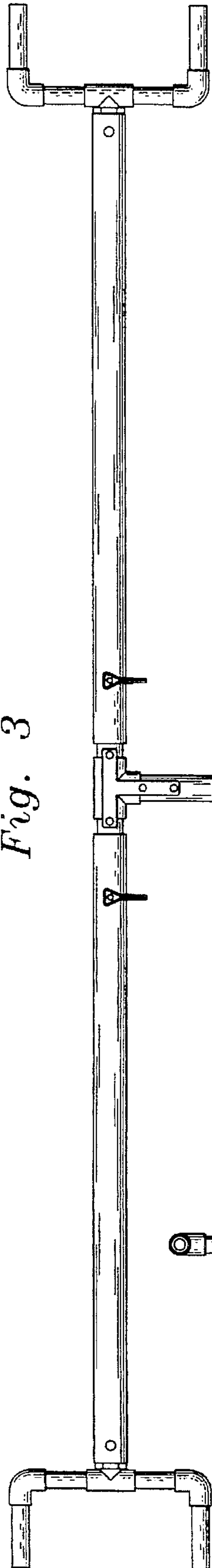


Fig. 4



Fig. 5



Fig. 6

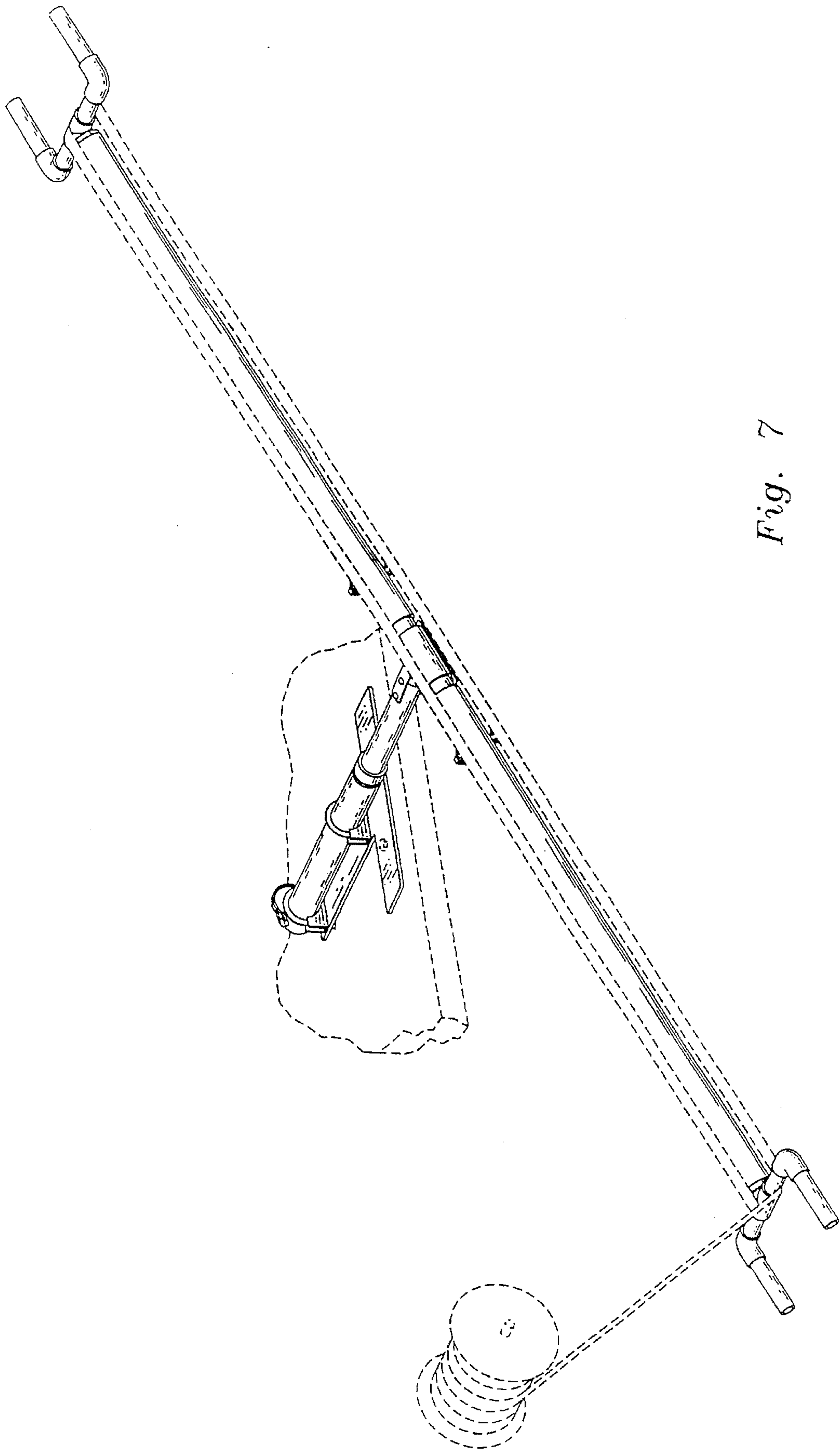


Fig. 7