



US00D380392S

**United States Patent** [19]  
**Kennedy**

[11] **Patent Number:** **Des. 380,392**

[45] **Date of Patent:** **\*\*Jul. 1, 1997**

[54] **CASING FOR A WATCH**

[75] **Inventor:** **M. Amelia Kennedy**, Woodbury, Conn.

[73] **Assignee:** **Timex Corporation**, Middlebury, Conn.

[\*\*] **Term:** **14 Years**

[21] **Appl. No.:** **56,464**

[22] **Filed:** **Jul. 1, 1996**

[51] **LOC (6) Cl.** ..... **10-02**

[52] **U.S. Cl.** ..... **D10/30; D10/39**

[58] **Field of Search** ..... **D10/1-40, 122-132;**  
**368/280-282, 276-277, 285**

[56] **References Cited**

**U.S. PATENT DOCUMENTS**

- D. 357,636 4/1995 Riley ..... D10/30
- D. 361,529 8/1995 Sakai ..... D10/39
- D. 365,028 12/1995 Tonohori ..... D10/30

**OTHER PUBLICATIONS**

*Swiss Watch & Jewelry Journal* Jan. 1988 p. 144 -Watch at Bottom-Right Watches.

*European Jeweler*-Feb. 1987-p. 172-Watch at Lower-Ri-ght Side Watches.

Jewelers Circular-Keystone 2 watches at Bottom-Right Watches.

*Primary Examiner*-Nelson C. Holtje  
*Attorney, Agent, or Firm*-Paul R. Juhasz

[57] **CLAIM**

The ornamental design for a casing for a watch, as shown and described.

**DESCRIPTION**

FIG. 1 is a perspective elevational view of a casing for a watch;

FIG. 2 is a left side elevational view thereof;

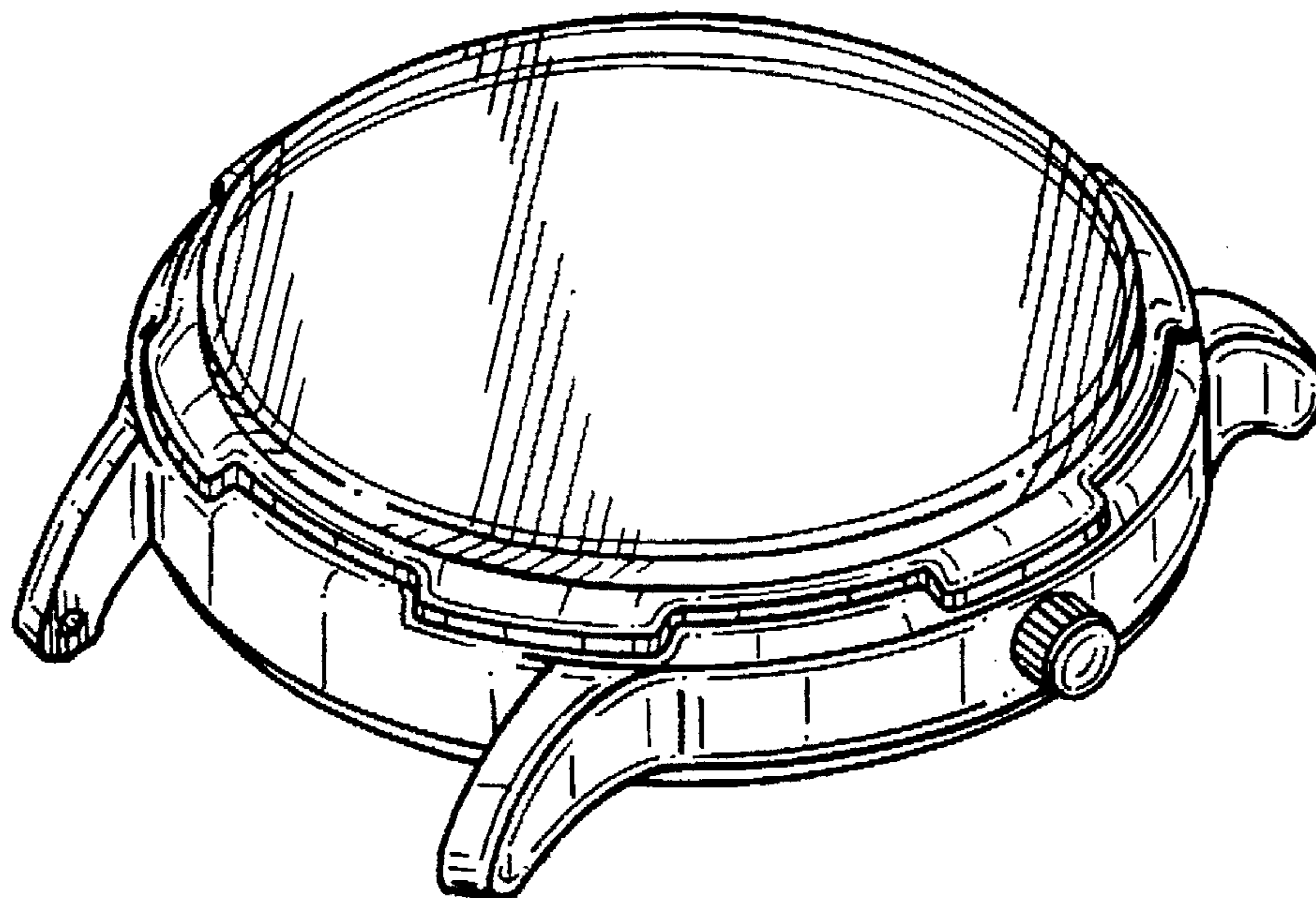
FIG. 3 is a top plan view thereof;

FIG. 4 is a right side elevational view thereof;

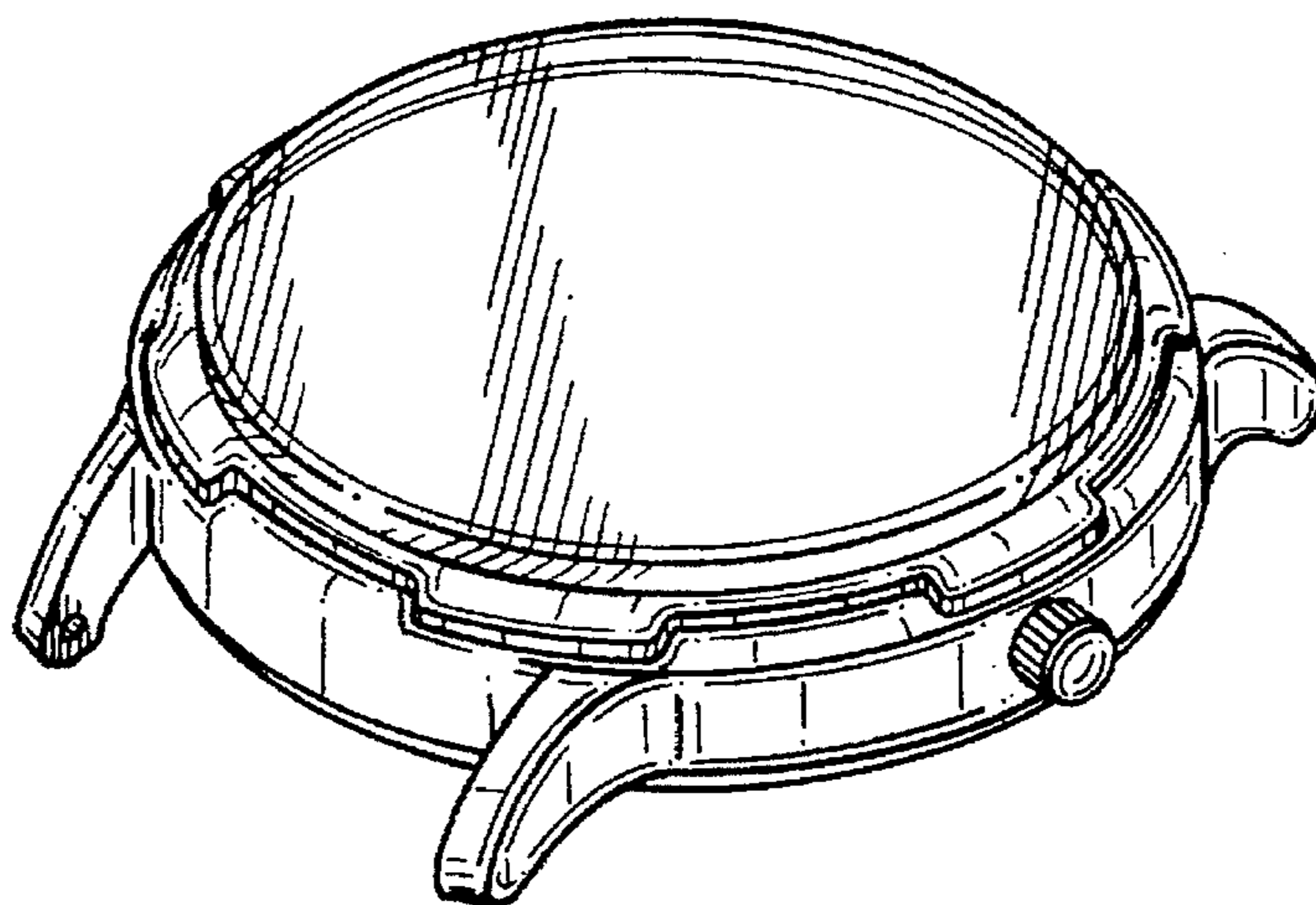
FIG. 5 is an end elevational view thereof; the other end being a mirror image is not shown; and,

FIG. 6 is a bottom plan view thereof.

**1 Claim, 2 Drawing Sheets**



*FIG. 1*



*FIG. 6*

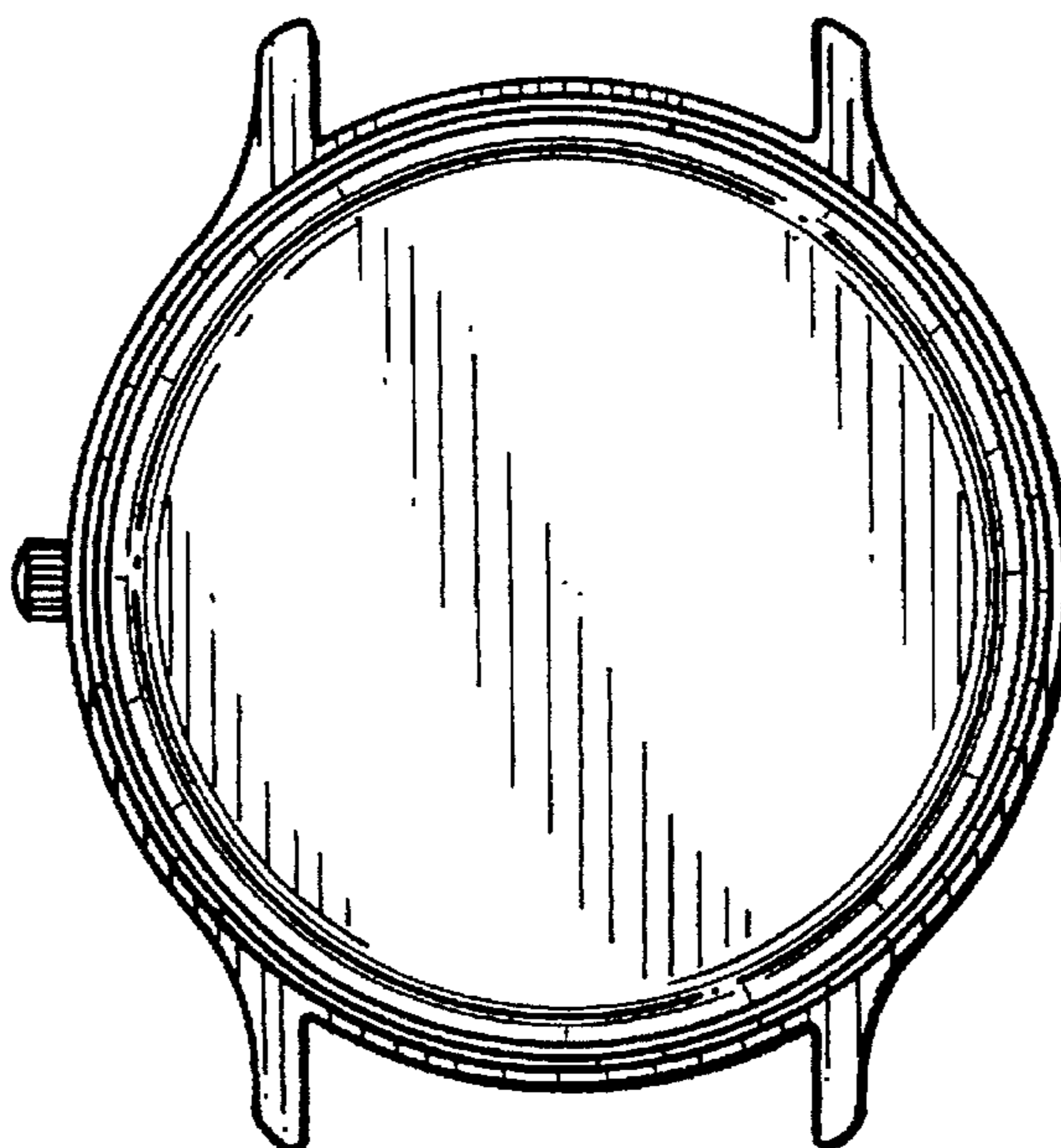


FIG. 4

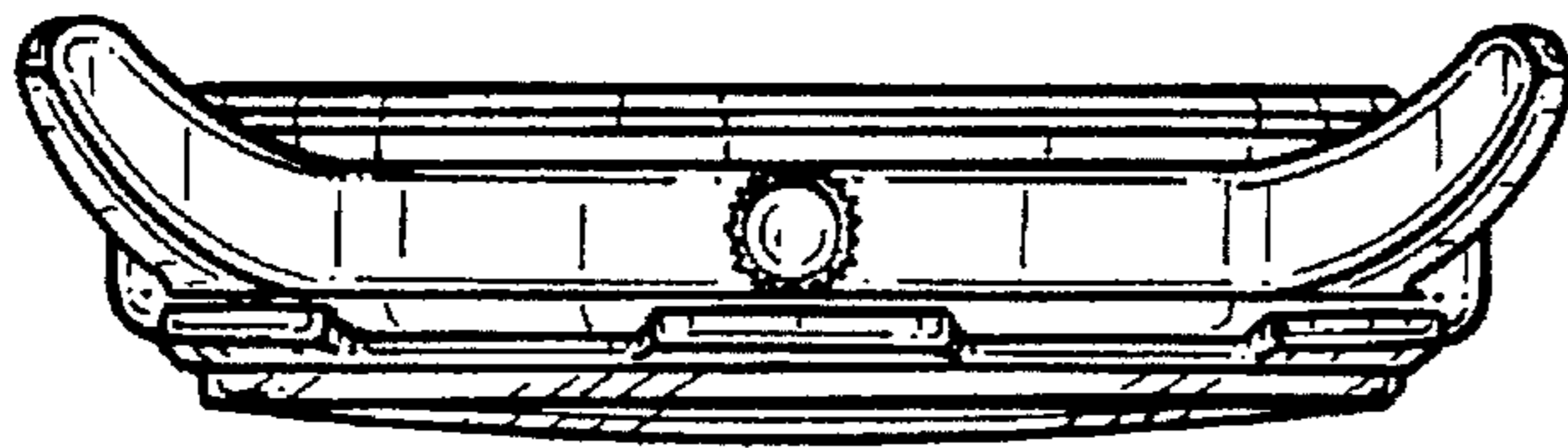


FIG. 3

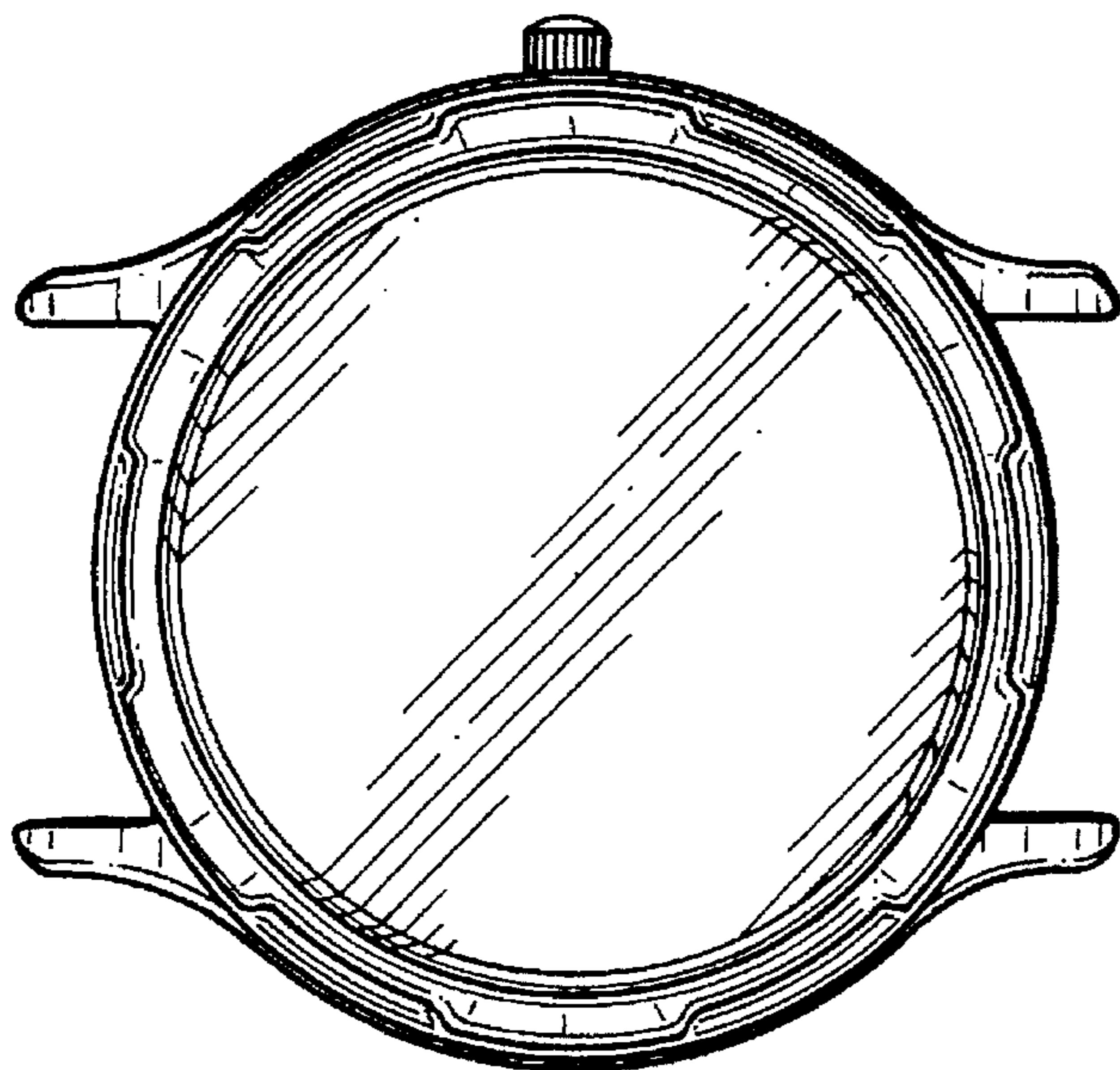


FIG. 2

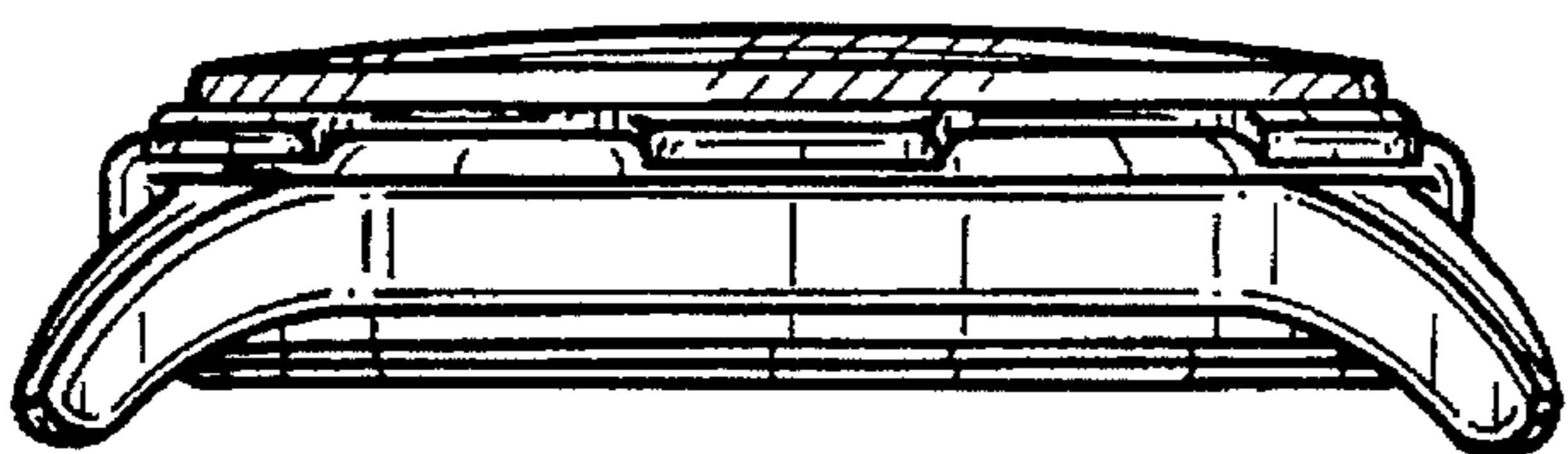


FIG. 5

