



US00D380384S

**United States Patent** [19]  
**Ferrara, Jr.**

[11] **Patent Number:** **Des. 380,384**  
[45] **Date of Patent:** **\*\*Jul. 1, 1997**

[54] **DISPENSING ACTUATOR CAP**  
[75] **Inventor:** **Daniel A. Ferrara, Jr., Bantam, Conn.**  
[73] **Assignee:** **Precision Valve Corporation, Yonkers, N.Y.**  
[\*\*] **Term:** **14 Years**  
[21] **Appl. No.:** **38,816**  
[22] **Filed:** **May 15, 1995**

2,792,149 5/1957 Lutz .  
2,913,749 11/1959 Ayers .  
2,954,904 10/1960 Potoczky .  
3,032,803 5/1962 Walshauser .  
3,089,624 5/1963 Micallef .  
3,203,454 8/1965 Micallef .  
3,365,138 1/1968 Green .  
3,428,223 2/1969 Lewiecki et al. .  
3,490,658 1/1970 Schwartzman .  
3,498,506 3/1970 Charrier .  
3,510,029 5/1970 Doyle .  
3,602,407 8/1971 Grothoff .  
3,768,705 10/1973 Spatz .  
3,858,773 1/1975 Del Bon .  
3,937,371 2/1976 Del Bon .  
3,964,509 6/1976 Daubenberger et al. .  
3,991,916 11/1976 Del Bon .  
4,124,150 11/1978 Moss .  
4,154,371 5/1979 Kolaczinski et al. .  
4,179,051 12/1979 Thomas .  
5,099,885 3/1992 Nilsson .  
5,117,871 6/1992 Gardner et al. .

**Related U.S. Application Data**

[63] Continuation of Ser. No. 4,858, Feb. 16, 1993, abandoned.  
[51] **LOC (6) Cl.** ..... **09-07**  
[52] **U.S. Cl.** ..... **D9/448**  
[58] **Field of Search** ..... D9/434, 435, 436,  
D9/440, 444, 447, 448, 449; 215/231, 270;  
222/402.13, 492, 493, 494, 569, 631, 635

**FOREIGN PATENT DOCUMENTS**

24 01 928 1/1975 Germany .  
24 27 391 12/1975 Germany .  
811595 4/1959 United Kingdom ..... 222/569

[56] **References Cited**

**U.S. PATENT DOCUMENTS**

D. 89,544 3/1933 Inocencio ..... D9/447  
D. 182,444 4/1958 Sinclair et al. .... D9/449  
D. 206,411 12/1966 Marona ..... D9/447  
D. 255,426 6/1980 Kaufman et al. .... D9/436  
D. 277,827 3/1985 Olsson ..... D9/447  
D. 309,435 7/1990 Sharman et al. .... D9/435  
993,512 5/1911 Craven .  
1,296,884 3/1919 Volk .  
1,472,845 11/1923 Kelley .  
1,637,548 8/1927 Burbank .  
1,753,665 4/1930 Roos .  
1,881,488 10/1932 Gleason .  
1,901,823 3/1933 Robinson .  
1,934,045 11/1933 Devlin et al. .  
1,965,812 7/1934 Shippee .  
1,991,126 2/1935 Stevenson .  
2,032,883 3/1936 Mills .  
2,071,413 2/1937 Lateur .  
2,107,355 2/1938 Winkler .  
2,372,726 4/1945 Langdon .  
2,540,842 2/1951 Stanley et al. .  
2,657,829 11/1953 Walch .

*Primary Examiner*—James M. Gandy  
*Assistant Examiner*—Robert M. Spear  
*Attorney, Agent, or Firm*—Kilgannon & Steidl

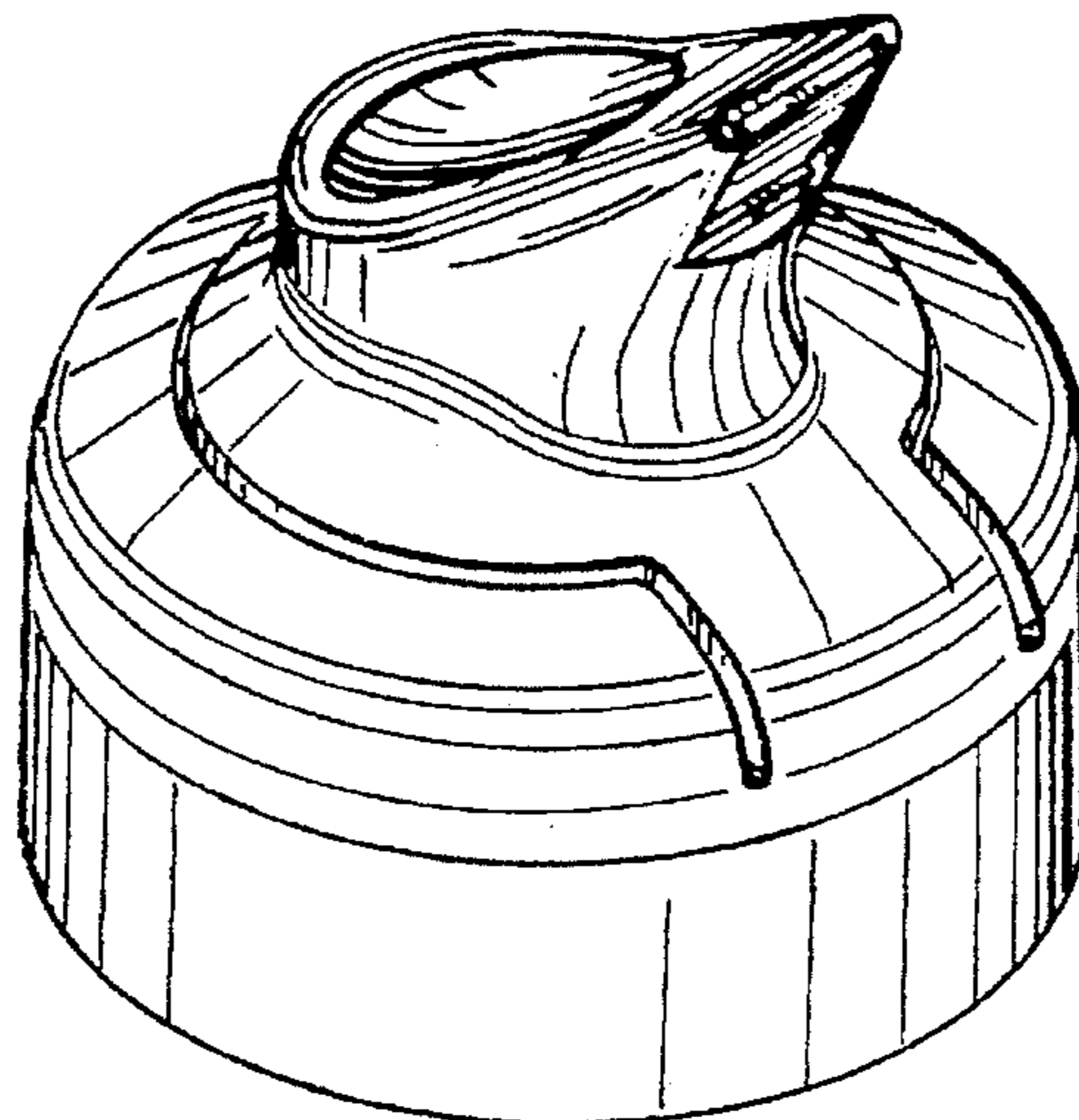
[57] **CLAIM**

The ornamental design for a dispensing actuator cap, as shown and described.

**DESCRIPTION**

FIG. 1 is a perspective view of a dispensing actuator cap showing my new design;  
FIG. 2 is a top plan view thereof;  
FIG. 3 is a front plan view thereof;  
FIG. 4 is a side plan view thereof, the opposite side view being a mirror image thereof; and,  
FIG. 5 is a rear plan view thereof.

**1 Claim, 1 Drawing Sheet**



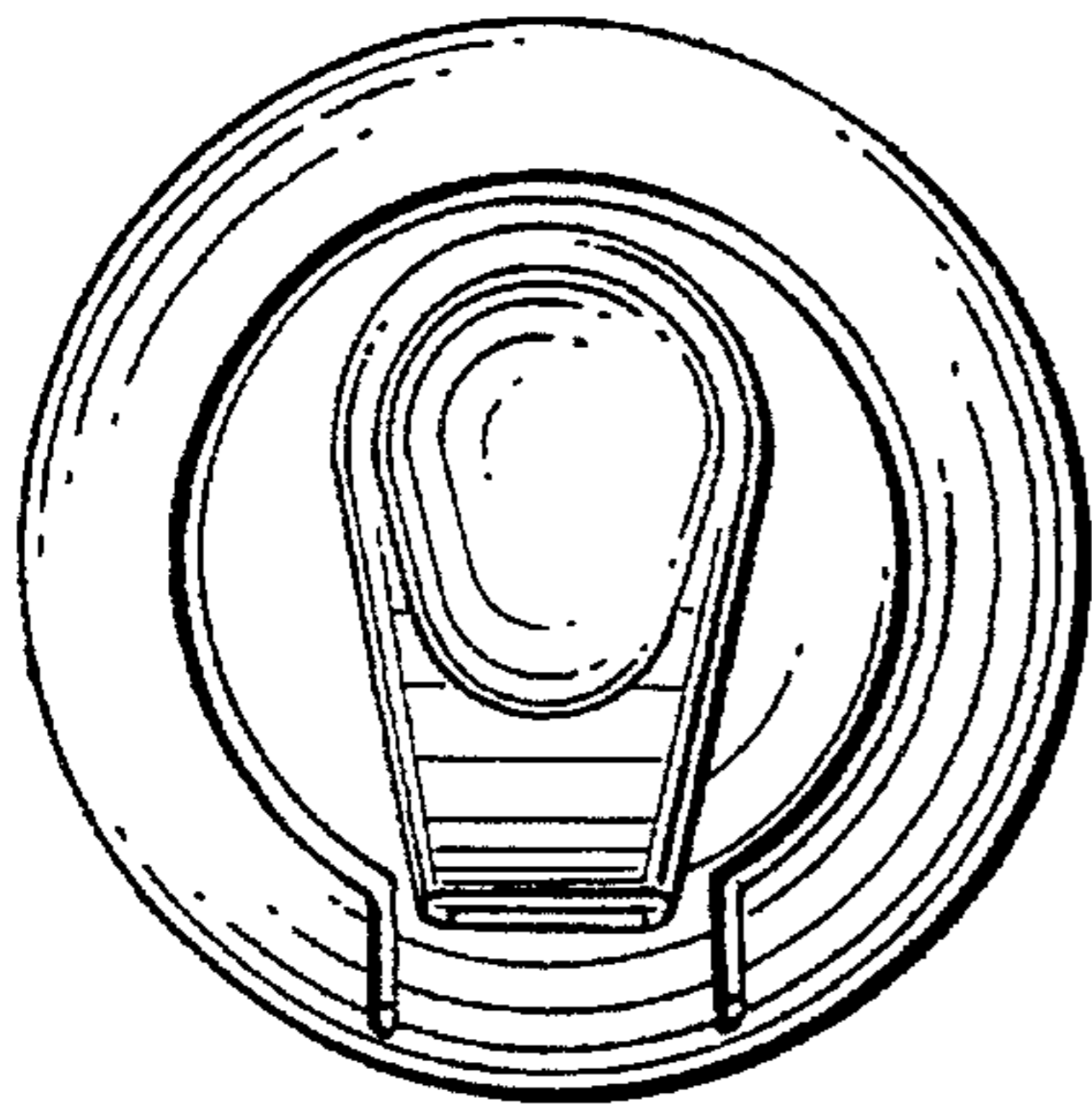


FIG. 2

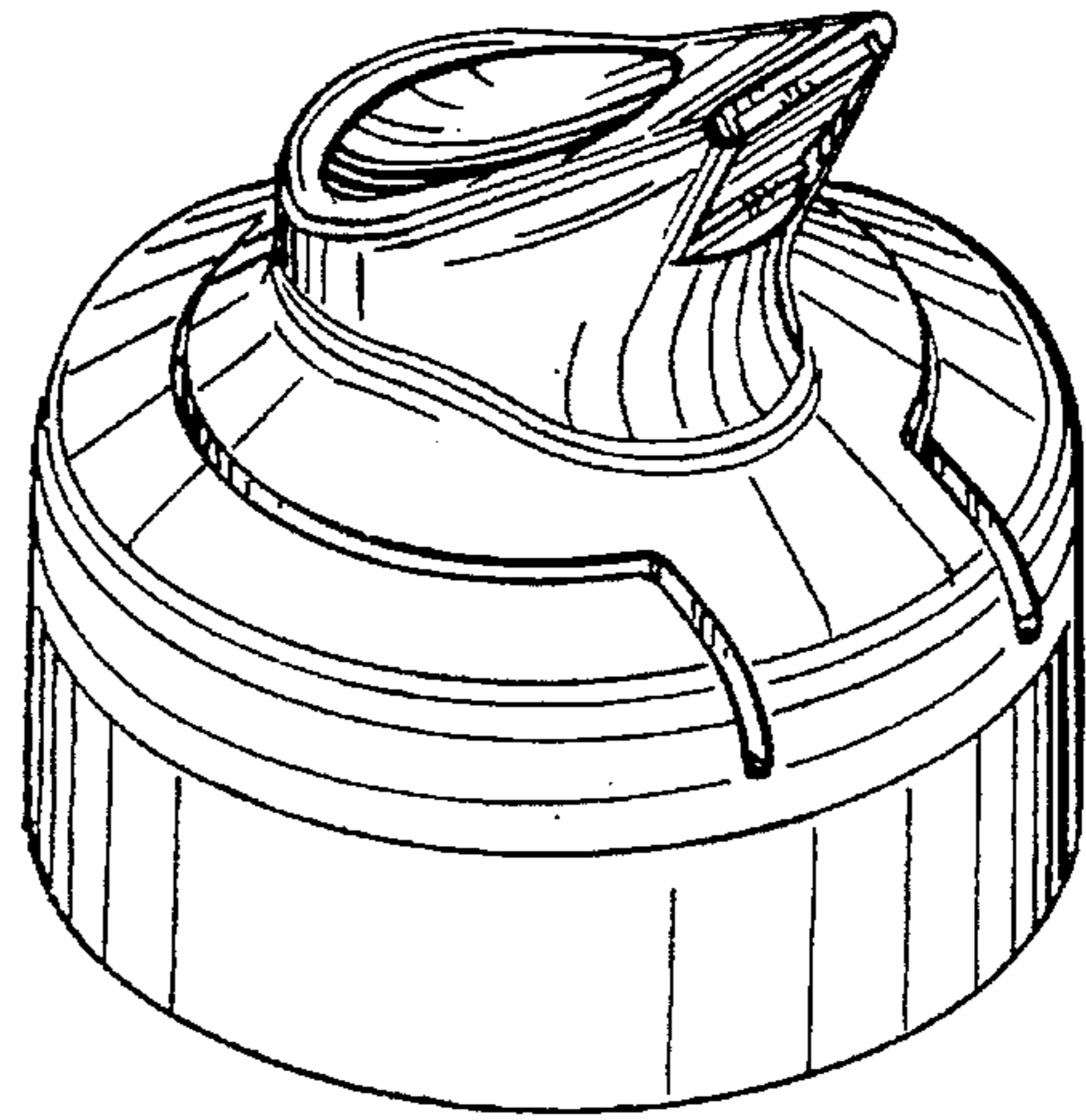


FIG. 1

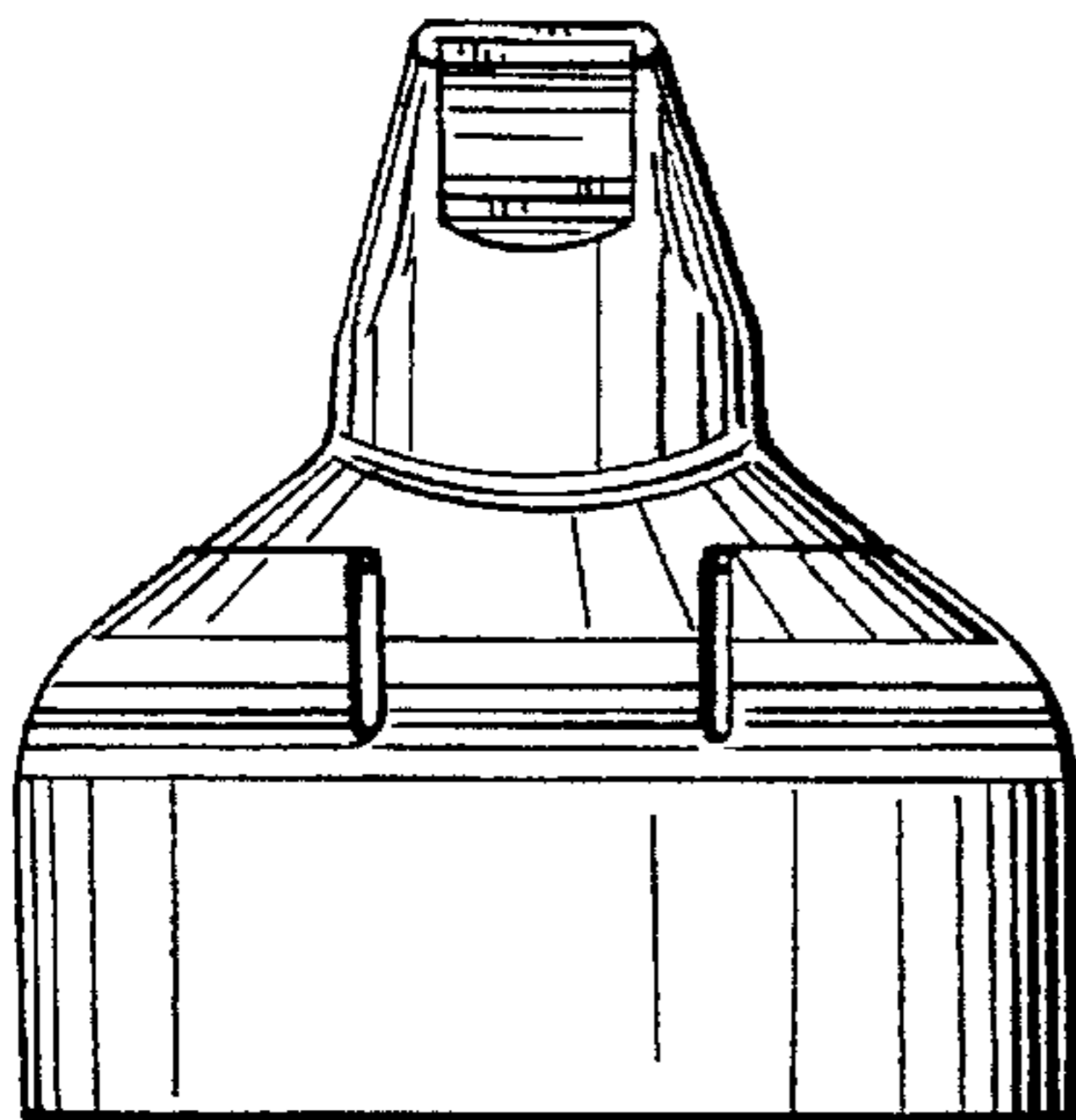


FIG. 3

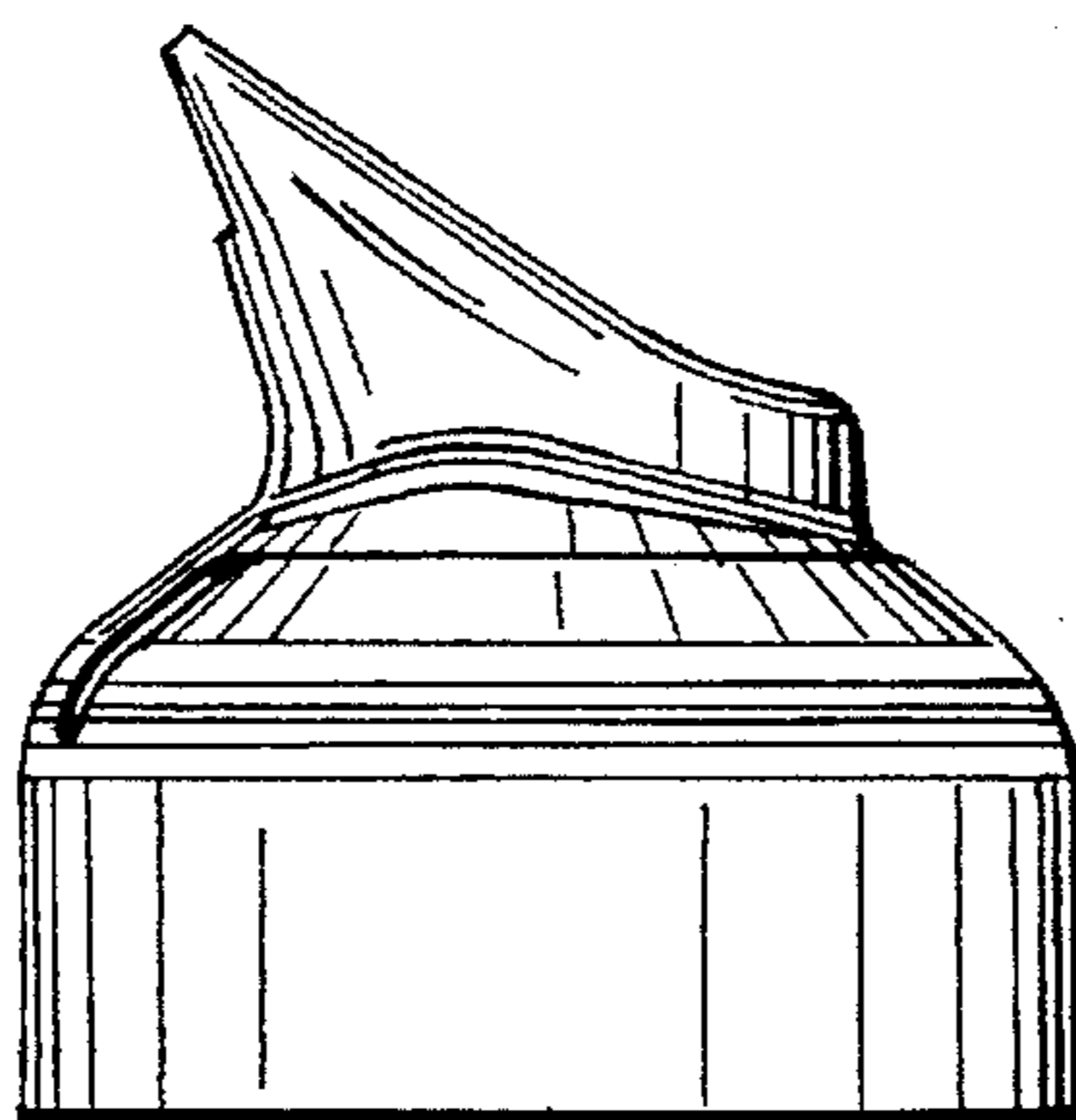


FIG. 4

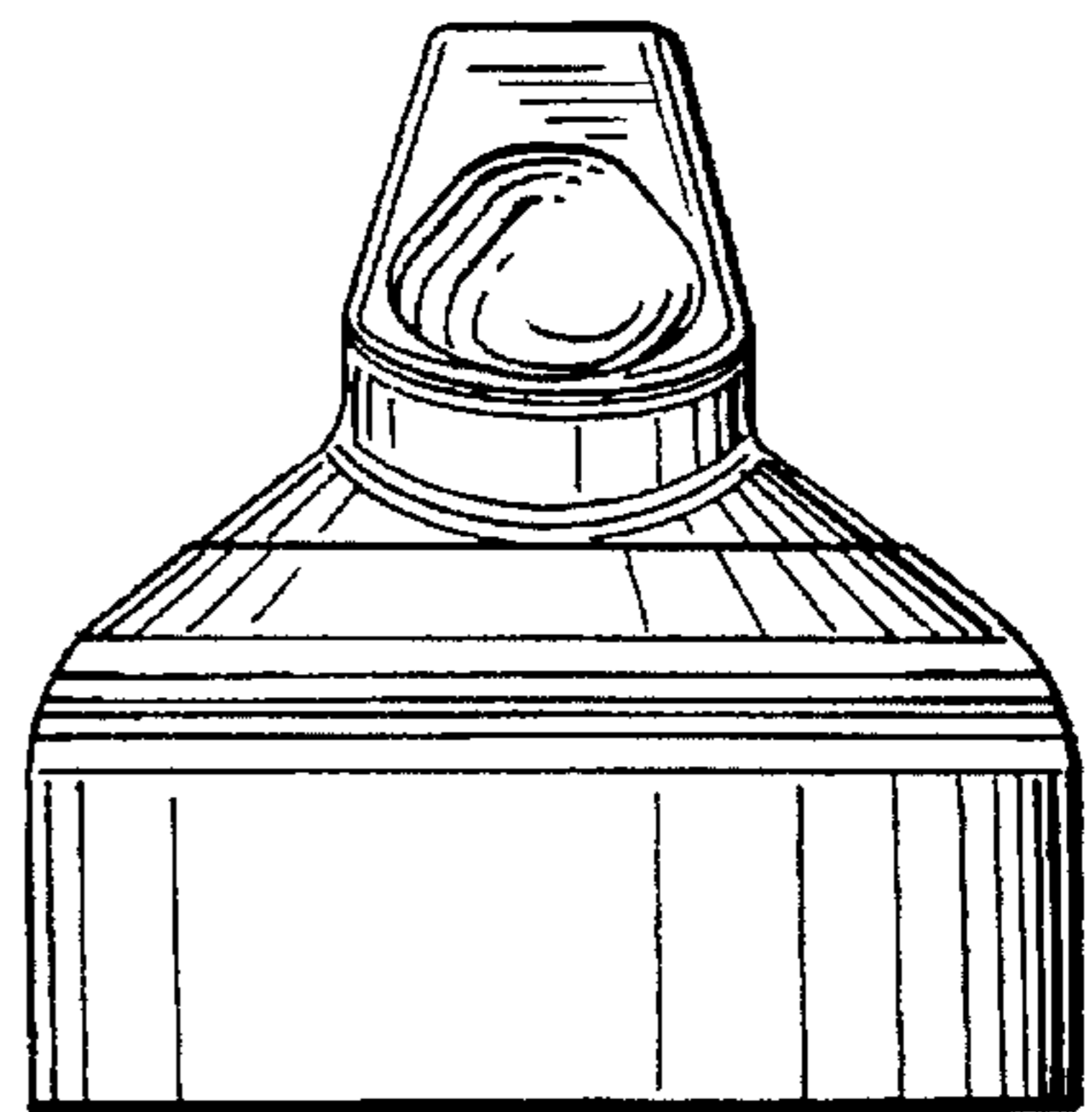


FIG. 5