



US00D380379S

United States Patent [19]

Lindblom et al.

[11] Patent Number: **Des. 380,379**

[45] Date of Patent: ****Jul. 1, 1997**

[54] TRAY

4,964,514 10/1990 Wycech 206/564

[75] Inventors: **Olle Lindblom; Robert Petterson,**
both of Gävle, Sweden

Primary Examiner—Sandra L. Morris
Assistant Examiner—Nanda Bondade
Attorney, Agent, or Firm—Notaro & Michalos P.C.

[73] Assignee: **Ko-Lars AB,** Gavle, Sweden

[57] **CLAIM**

[**] Term: **14 Years**

The ornamental design for a tray, as shown and described.

[21] Appl. No.: **44,063**

DESCRIPTION

[22] Filed: **Sep. 15, 1995**

[30] Foreign Application Priority Data

Mar. 16, 1995 [SE] Sweden 95-0548

[51] LOC (6) Cl. **09-03**

[52] U.S. Cl. **D9/347; D9/346; D9/433**

[58] Field of Search D9/346, 347, 348,
D9/433, 455-456; 206/541, 557, 562, 564;
229/120.14, 120.15, 120.16, 904

FIG. 1 is a top, front and left side perspective view of a tray showing our new design;

FIG. 2 is a bottom, rear and left side perspective view thereof;

FIG. 3 is a top, rear and left side perspective view thereof, with the insert removed for ease of illustration;

FIG. 4 is a top plan view of FIG. 3, shown in an unfolded condition for clarity of illustration;

FIG. 5 is a top, front and left side perspective view of the tray insert shown in FIG. 1, shown separately for clarity of illustration;

FIG. 6 is a bottom, front and left side perspective view of FIG. 5; and,

FIG. 7 is a top plan view of FIG. 5, shown in an unfolded condition for clarity of illustration.

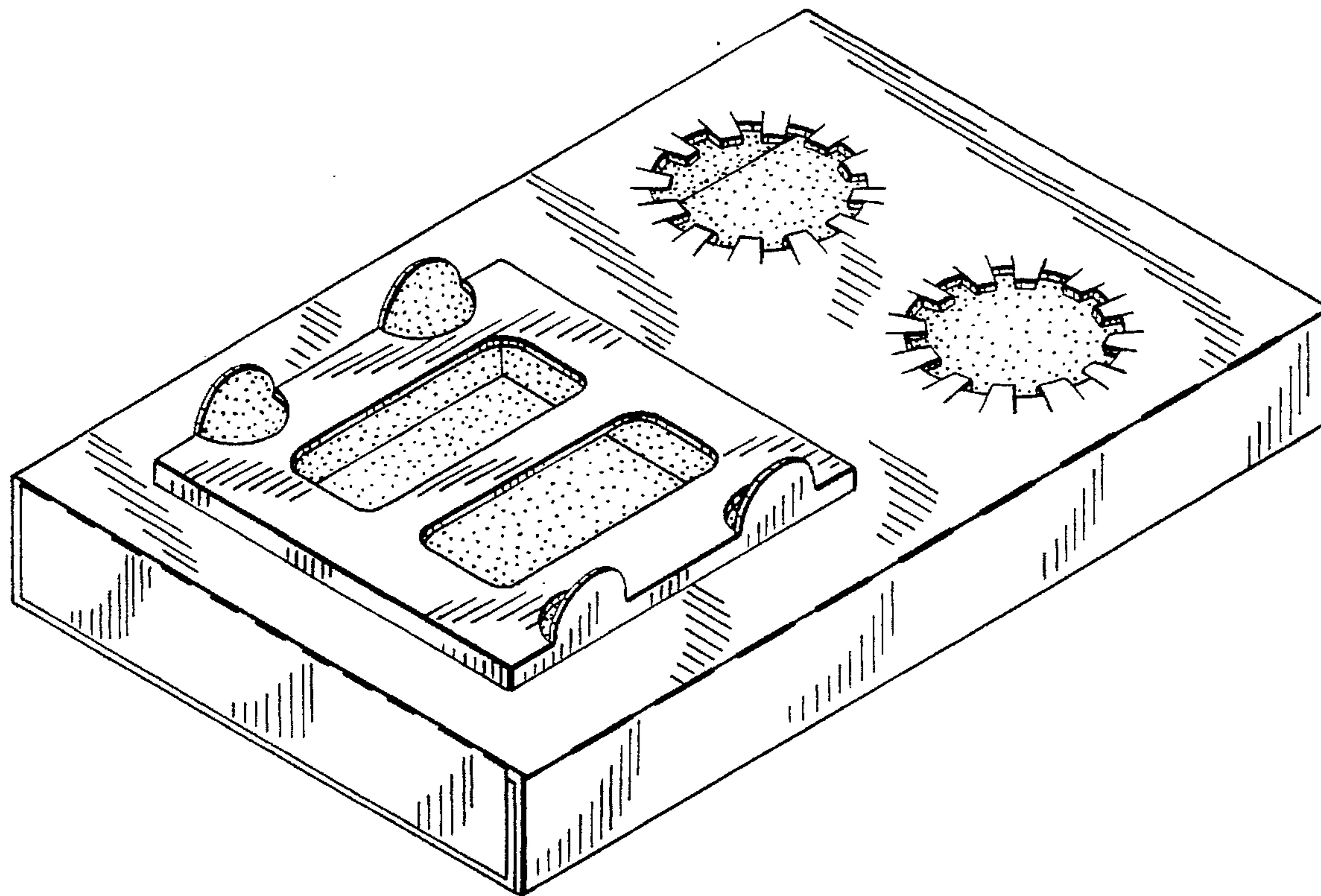
The broken lines shown on FIGS. 1-4 represent fold lines.

[56] References Cited

U.S. PATENT DOCUMENTS

D. 134,249	11/1942	Button	D9/346
D. 320,909	10/1991	Szablak et al.	D9/341 X
3,326,445	6/1967	Goings	206/562 X
3,722,781	3/1973	Page et al.	229/904 X
4,889,239	12/1989	Sandish et al.	229/242 X

1 Claim, 4 Drawing Sheets



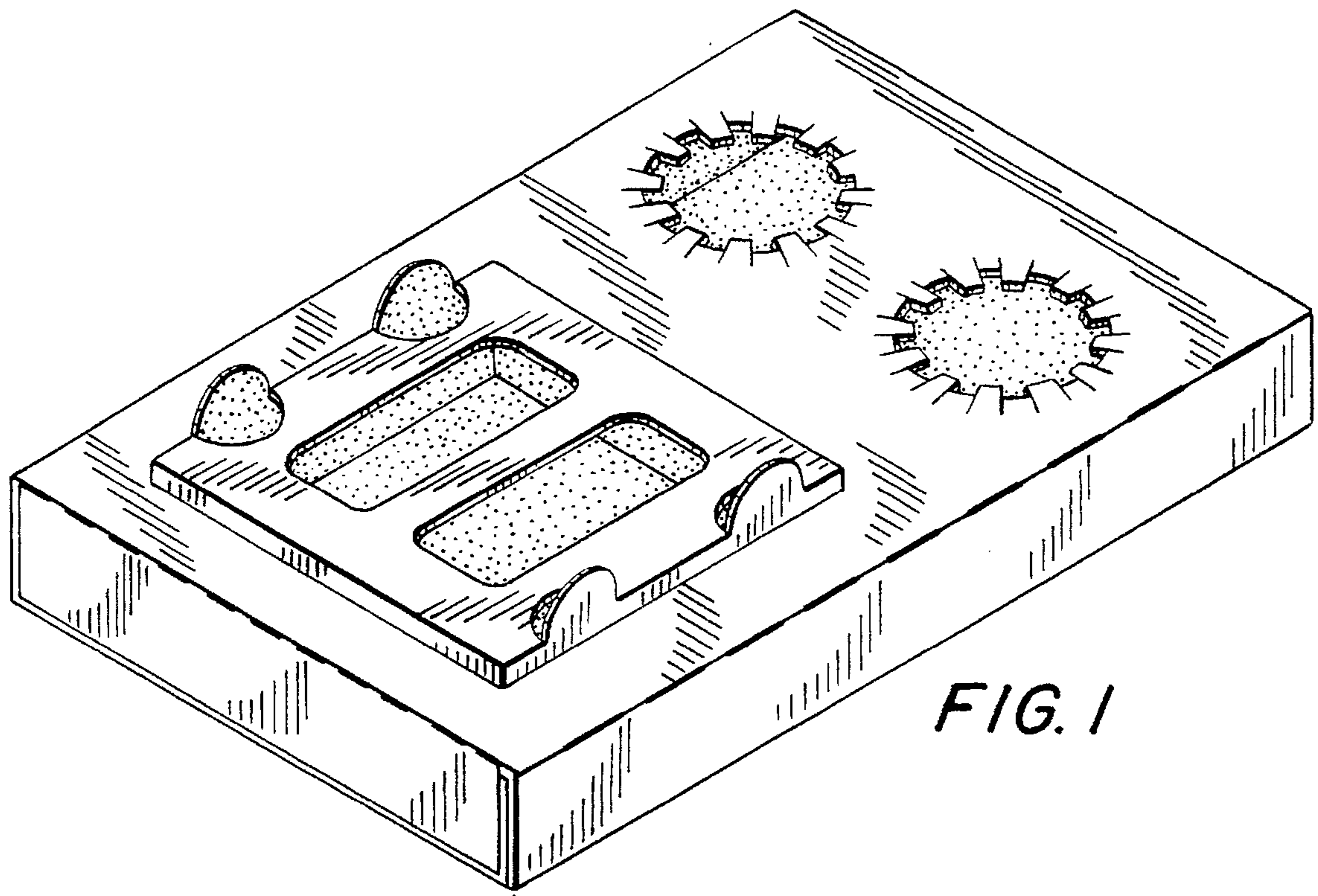


FIG. 1

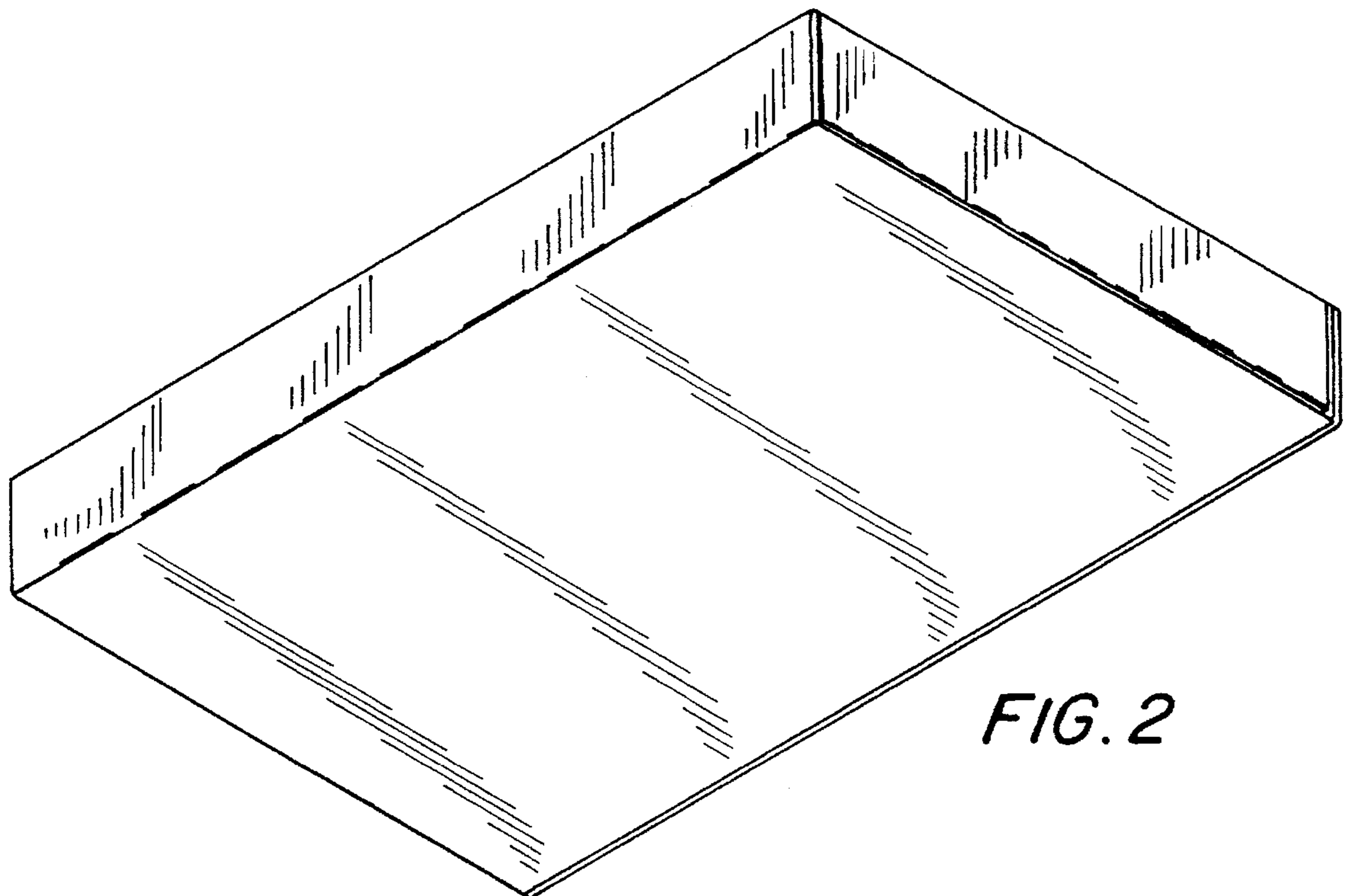


FIG. 2

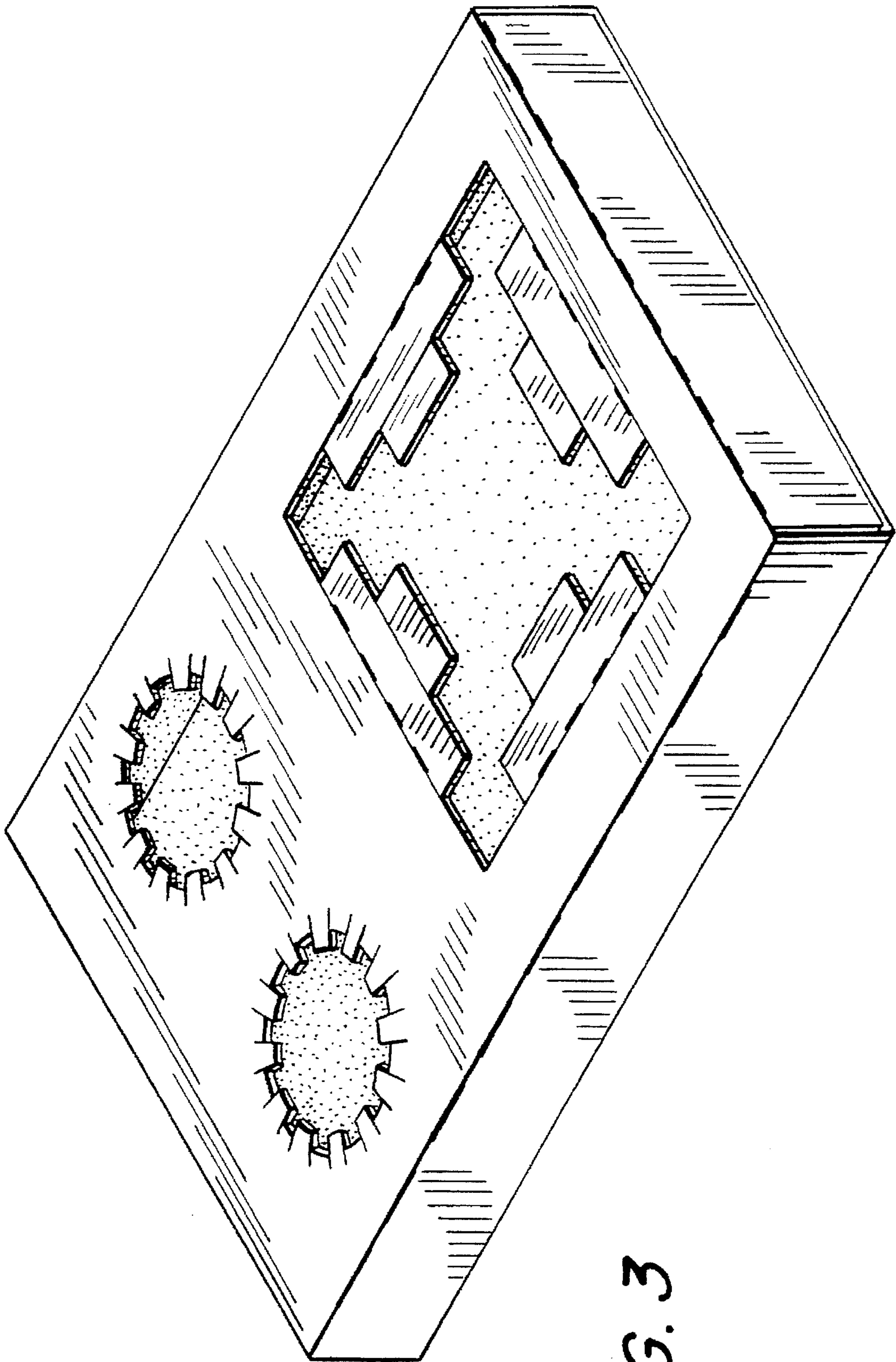


FIG. 3

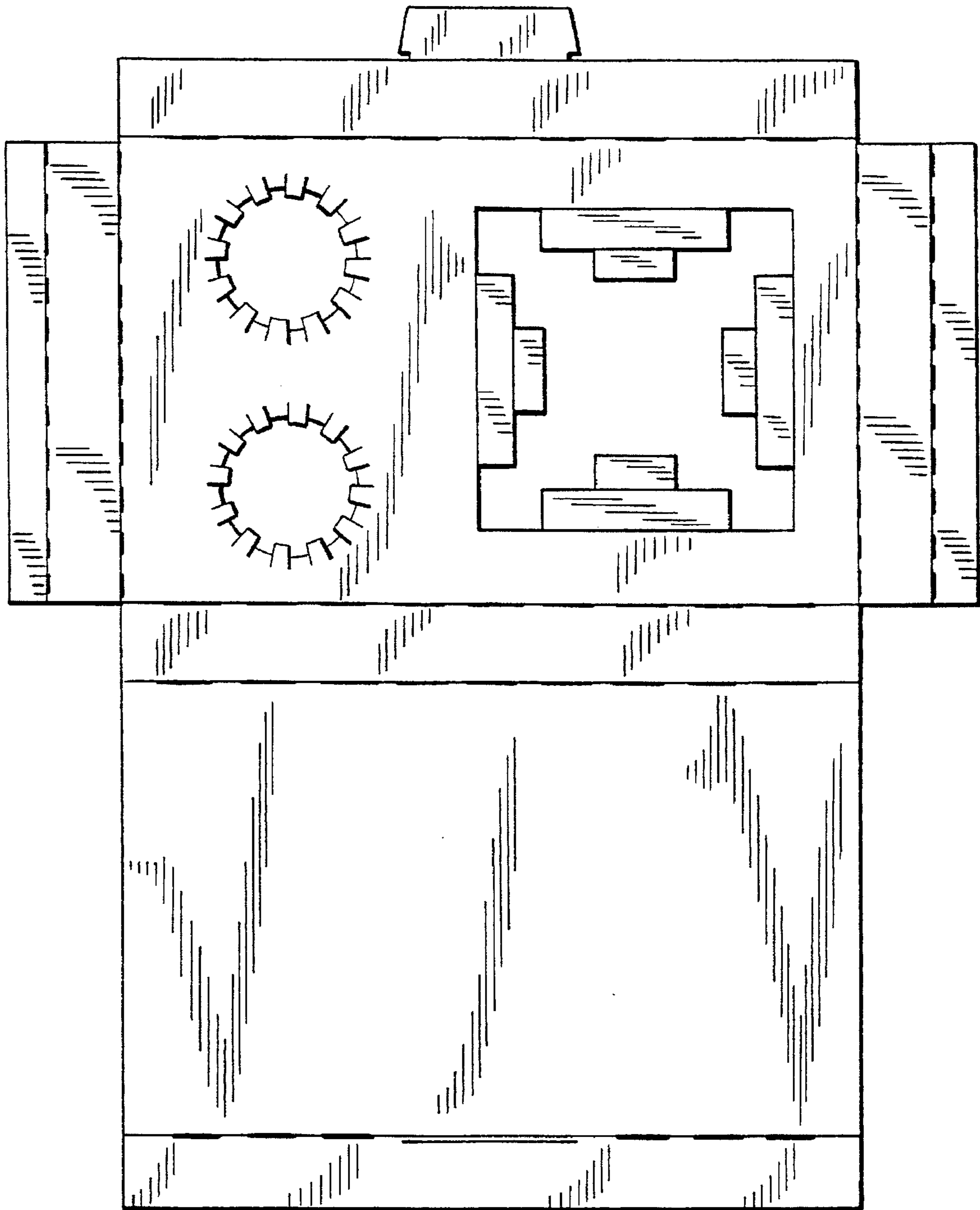


FIG. 4

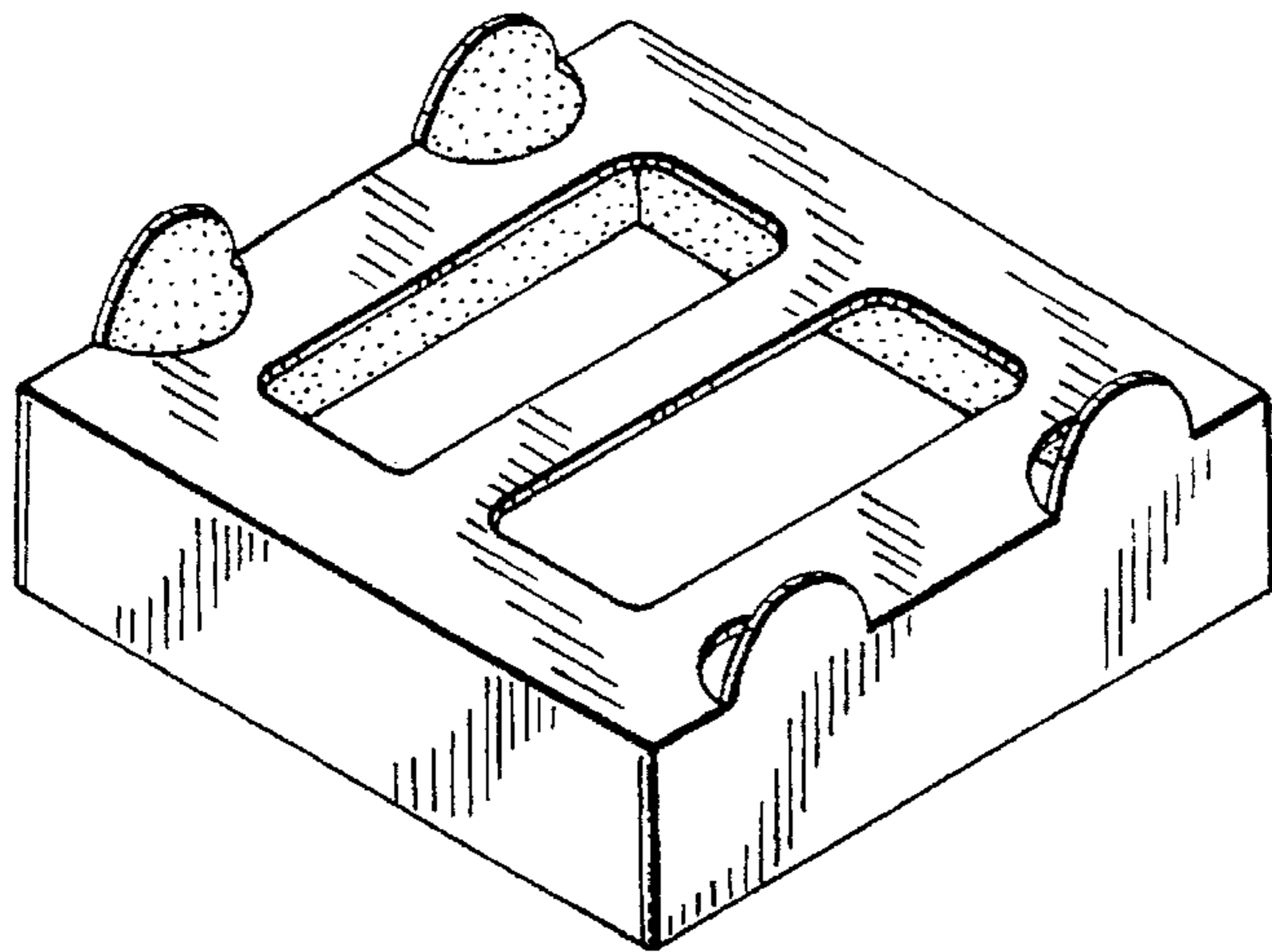


FIG. 5

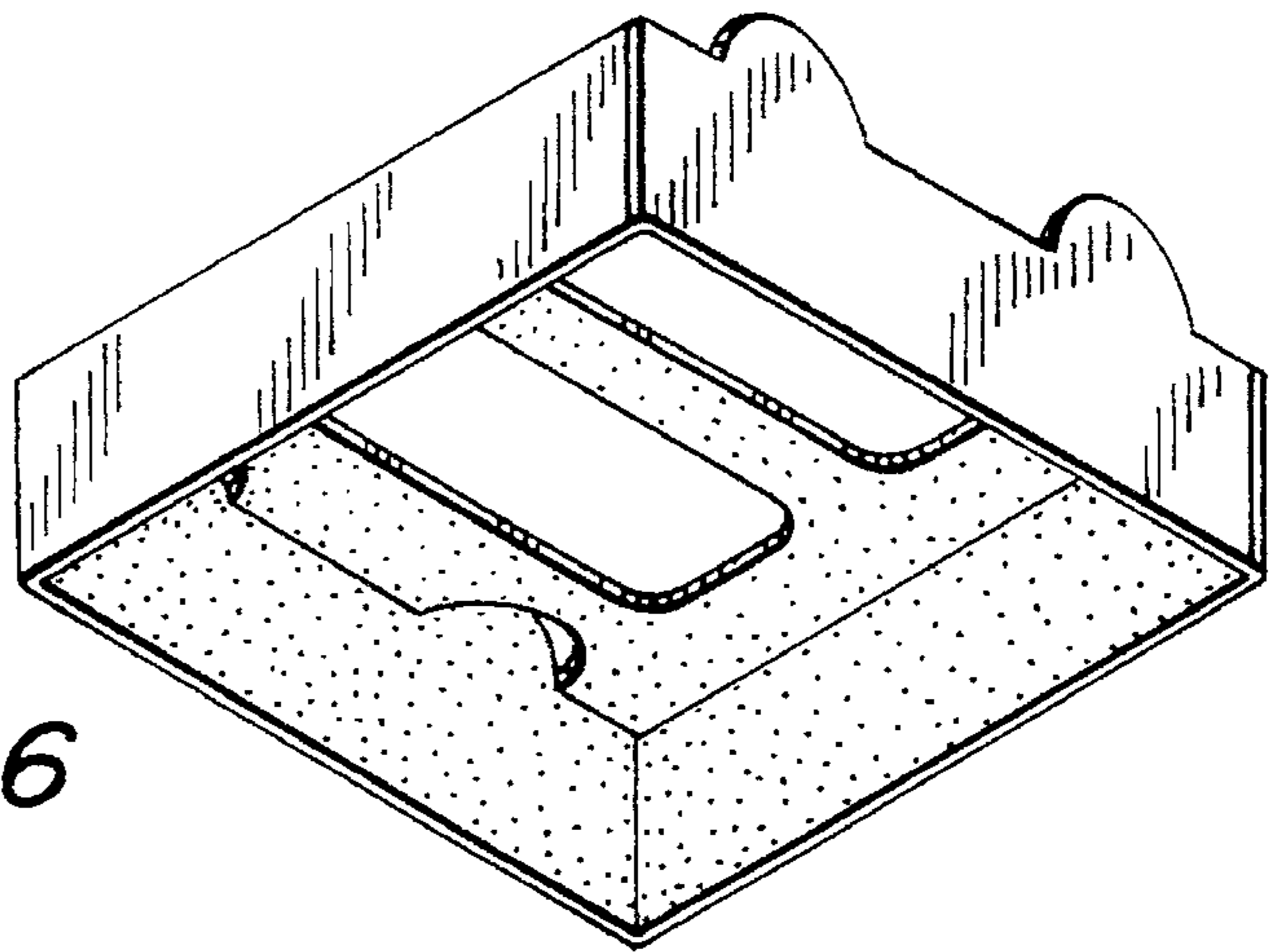


FIG. 6

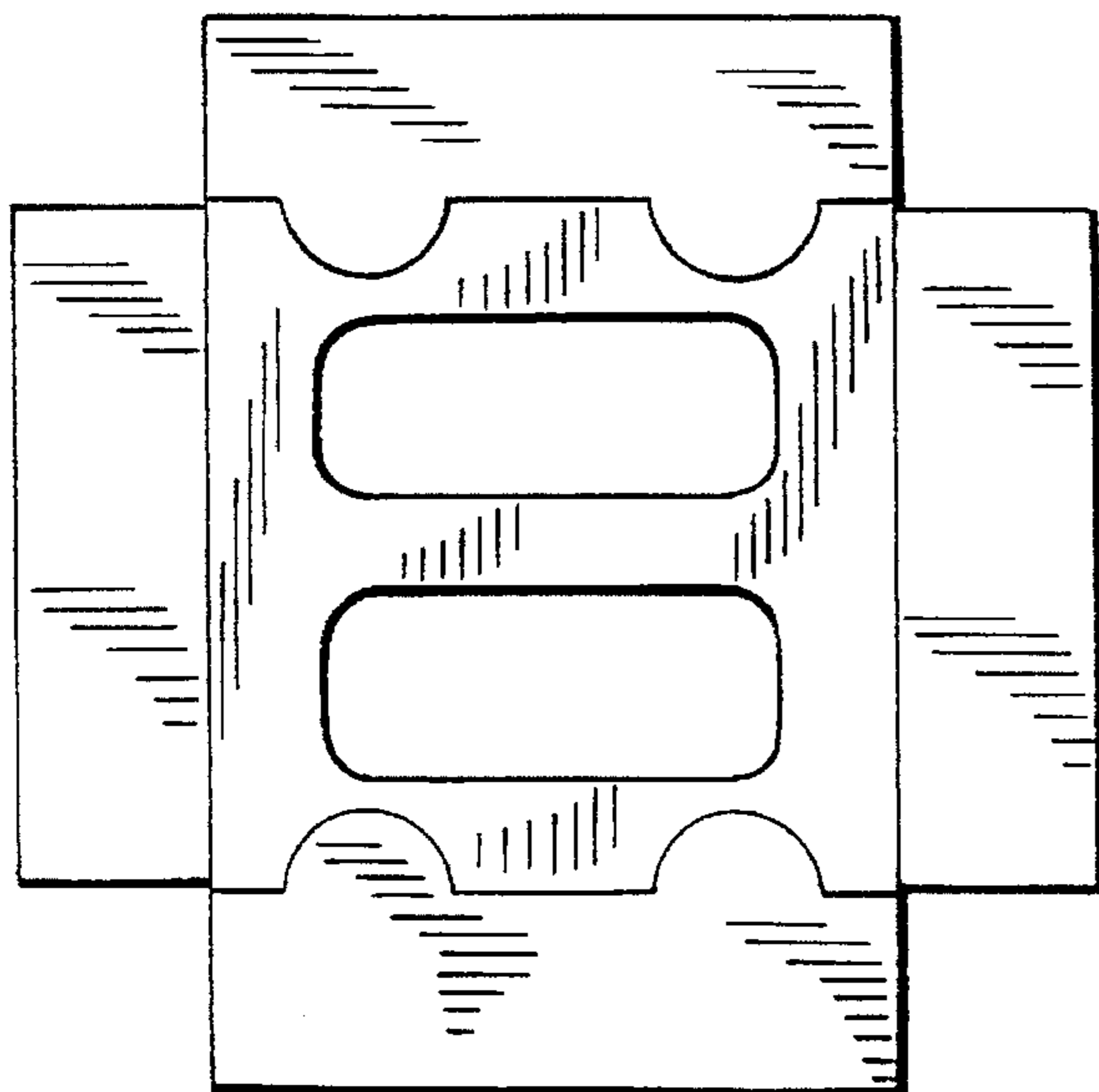


FIG. 7