



US00D380377S

United States Patent [19]

[11] Patent Number: **Des. 380,377**

Sato

[45] Date of Patent: ****Jul. 1, 1997**

[54] TAPE MOUNTED WIRE HOLDER PACKAGE

[75] Inventor: **Kyotaro Sato**, Tokyo, Japan

[73] Assignee: **Kyoshin Kogyo Co., Ltd.**, Tokyo, Japan

[**] Term: **14 Years**

[21] Appl. No.: **33,920**

[22] Filed: **Jan. 24, 1995**

[30] Foreign Application Priority Data

Aug. 23, 1994 [JP] Japan 6-25314

[51] LOC (6) Cl. **09-03**

[52] U.S. Cl. **D9/341; D9/415**

[58] Field of Search D8/356, 396; D9/341, D9/432, 457, 415; 248/97, 74.2, 74.1; 174/65 R; 206/713, 715, 806, 820, 461, 463; 220/23.8, 23.2

[56] References Cited

U.S. PATENT DOCUMENTS

D. 262,095	12/1981	Takahashi	D9/451	X
D. 344,445	2/1994	Sachs	D8/356	
3,147,086	9/1964	Batcheller et al.	206/820	X
4,024,953	5/1977	Nailor, III	206/820	X
4,223,786	9/1980	Hori	206/715	
4,514,787	4/1985	Kaneko et al.	206/715	X
4,600,116	7/1986	Inano et al.	206/713	X

Primary Examiner—Holly Baynham
Attorney, Agent, or Firm—Birch, Stewart, Kolasch & Birch, LLP

[57] CLAIM

The ornamental design for a tape mounted wire holder package, as shown and described.

DESCRIPTION

FIG. 1 is a front, bottom, and left side perspective view of a tape mounted wire holder package showing my new design;

FIG. 2 is a front elevational view thereof;

FIG. 3 is a rear elevational view thereof;

FIG. 4 is a right side elevational view thereof, the left side elevational view being a mirror image;

FIG. 5 is a sectional view thereof, taken along line 5—5 in FIG. 2;

FIG. 6 is a top plan view thereof;

FIG. 7 is a bottom plan view thereof;

FIG. 8 is an enlarged sectional view thereof, taken along line 8—8 in FIG. 2;

FIG. 9 is an enlarged sectional view thereof, taken along line 9—9 in FIG. 2;

FIG. 10 is an enlarged sectional view thereof, taken along line 10—10 in FIG. 2;

FIG. 11 is an enlarged sectional view thereof, taken along line 11—11 in FIG. 2; and,

FIG. 12 is a front, bottom, and left side perspective view.

The claimed design is shown broken away in all views to indicate indeterminate length it being understood that the portions shown are continuous throughout the entire length of the claimed article and the undisclosed end is identical in appearance to the end shown.

1 Claim, 5 Drawing Sheets

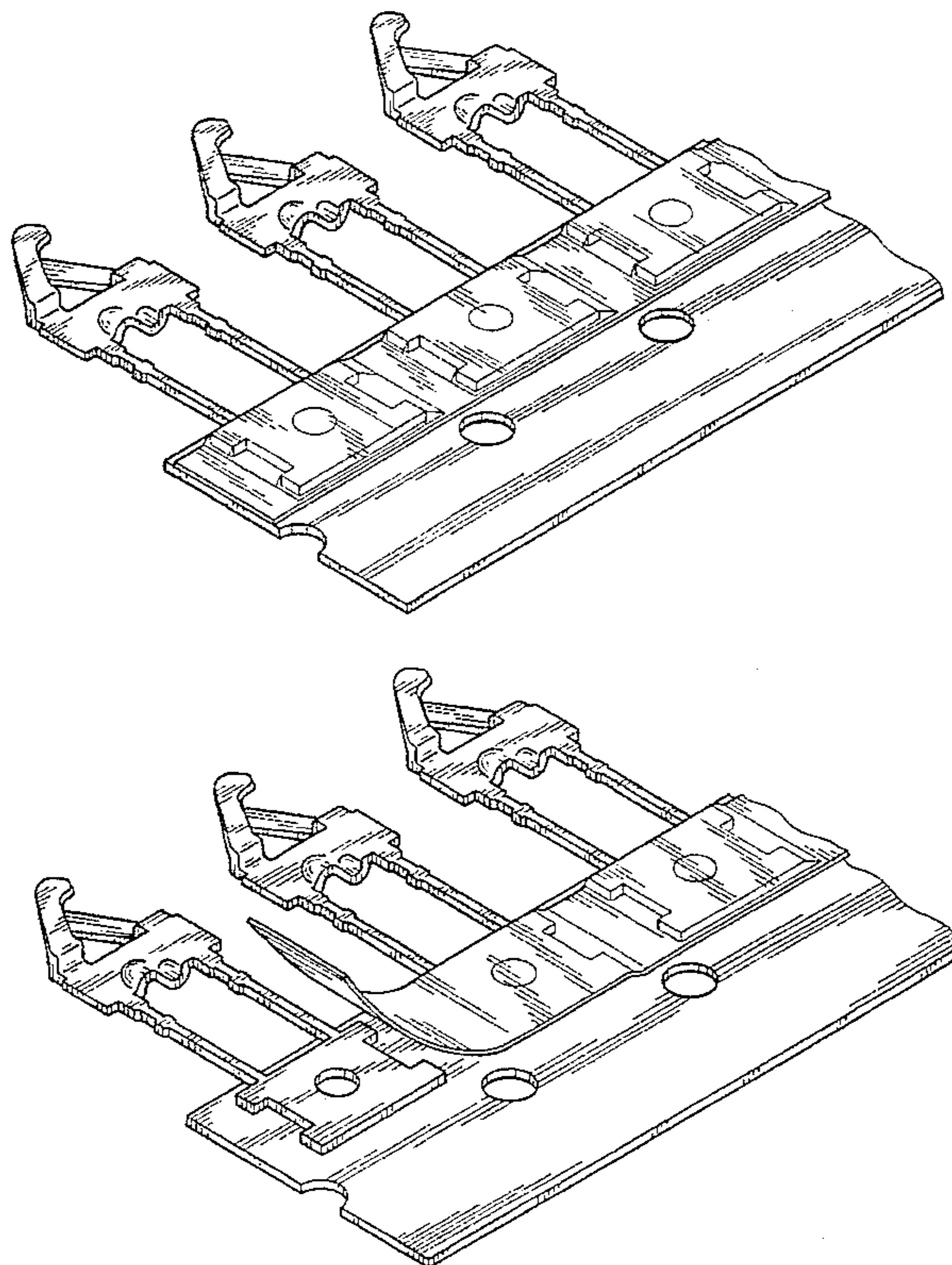
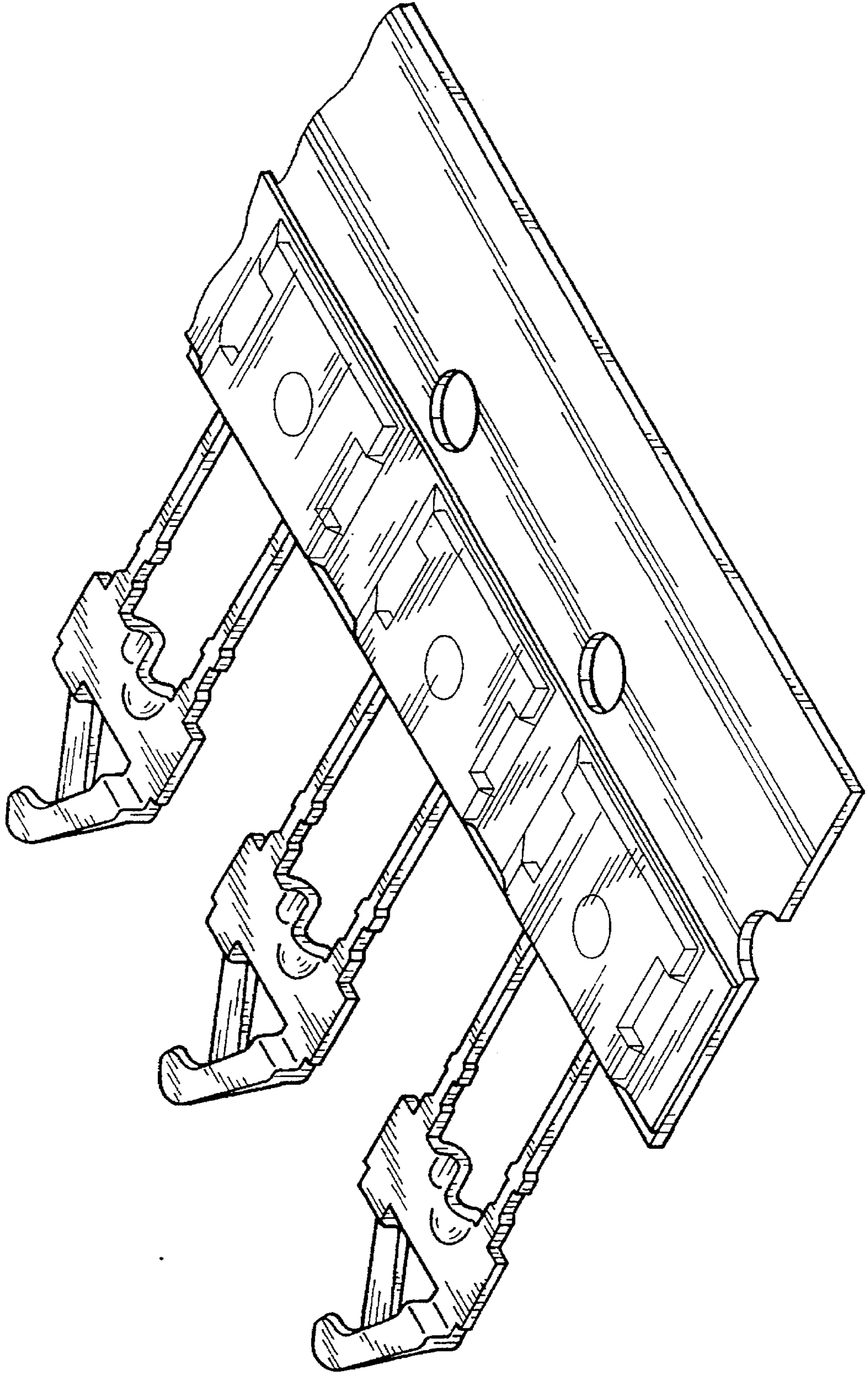


FIG. 1



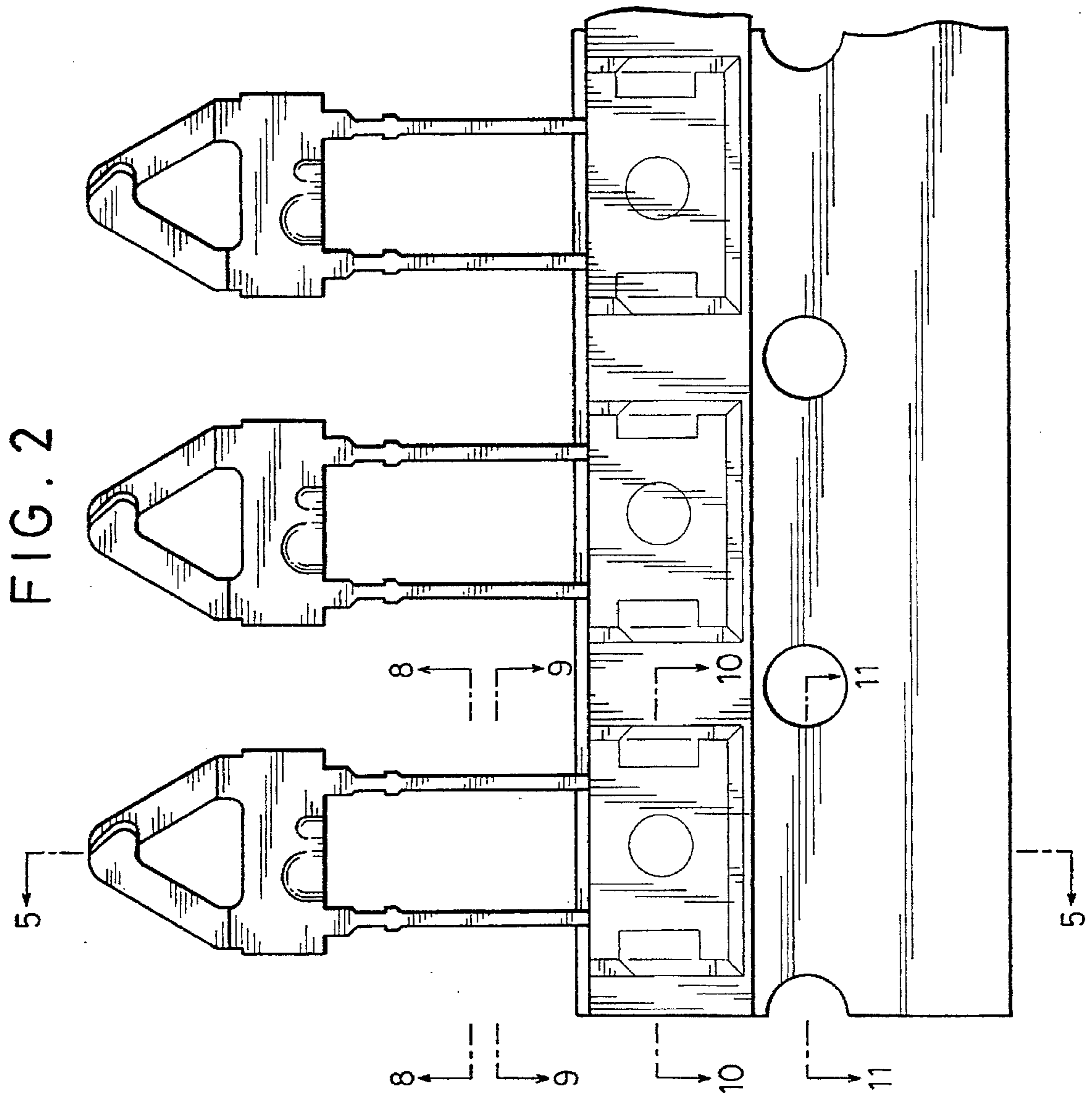


FIG. 3

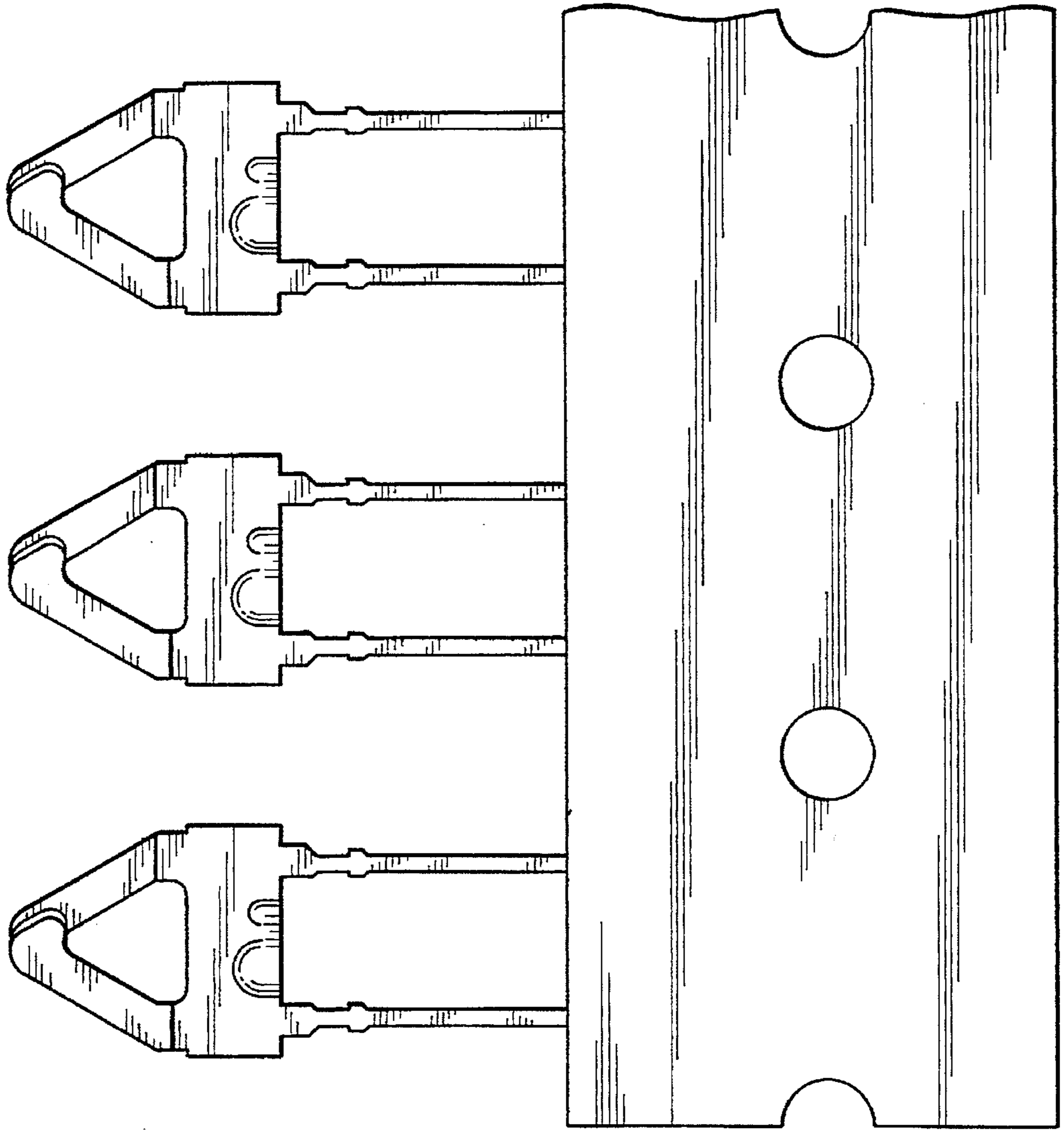


FIG. 4

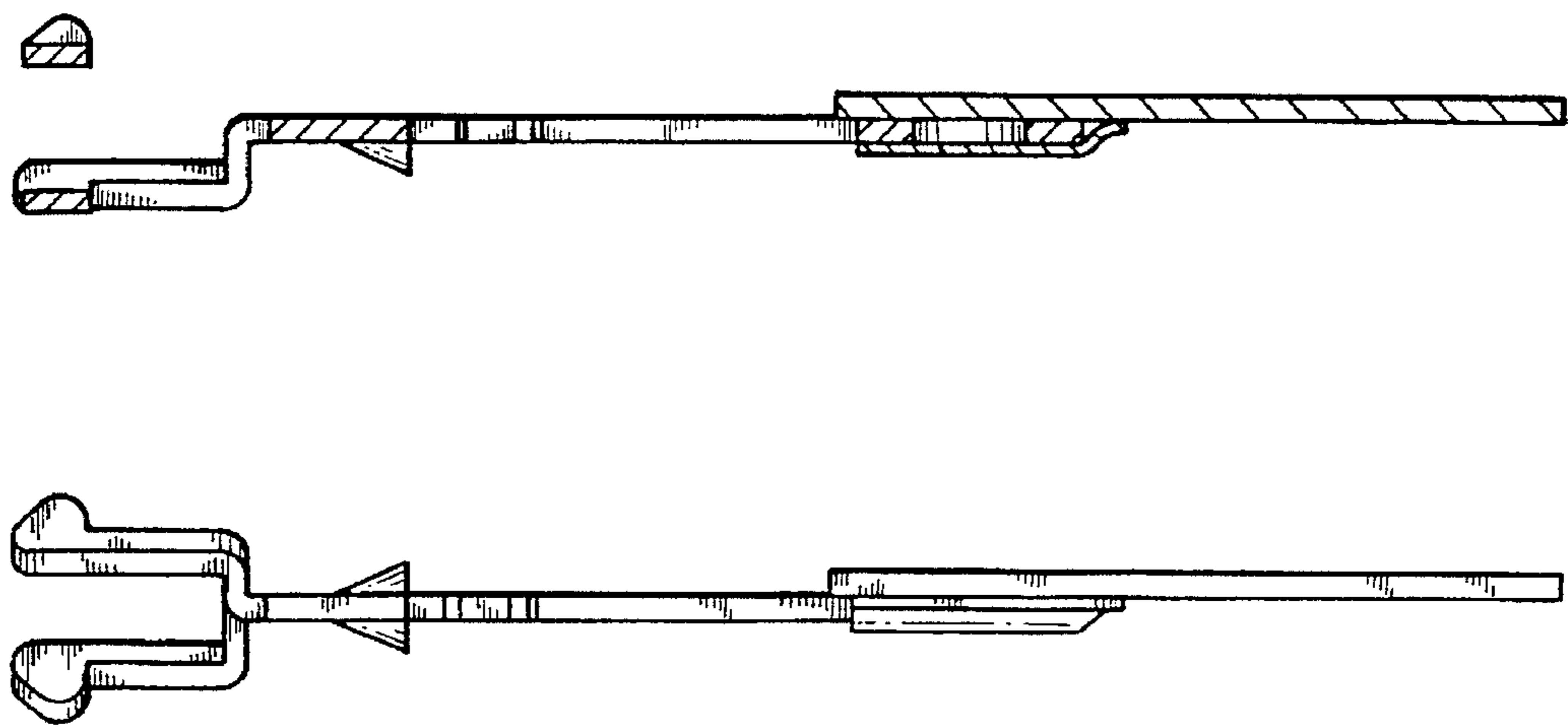


FIG. 6

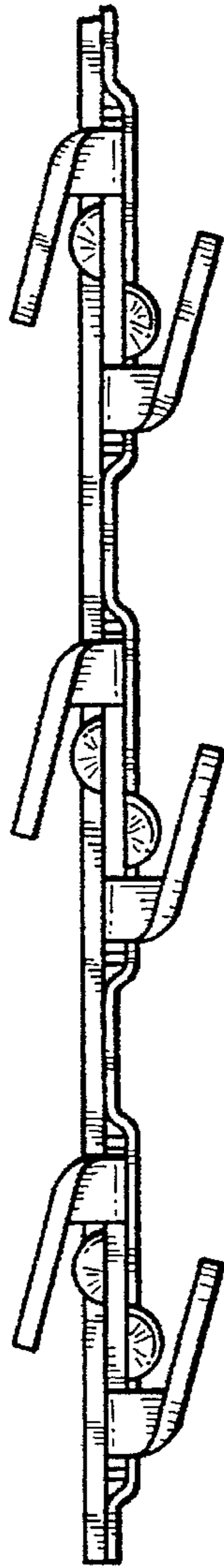


FIG. 7

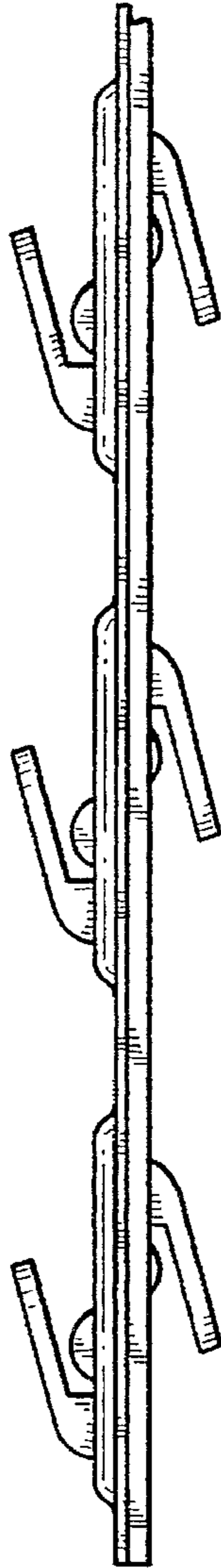


FIG. 8

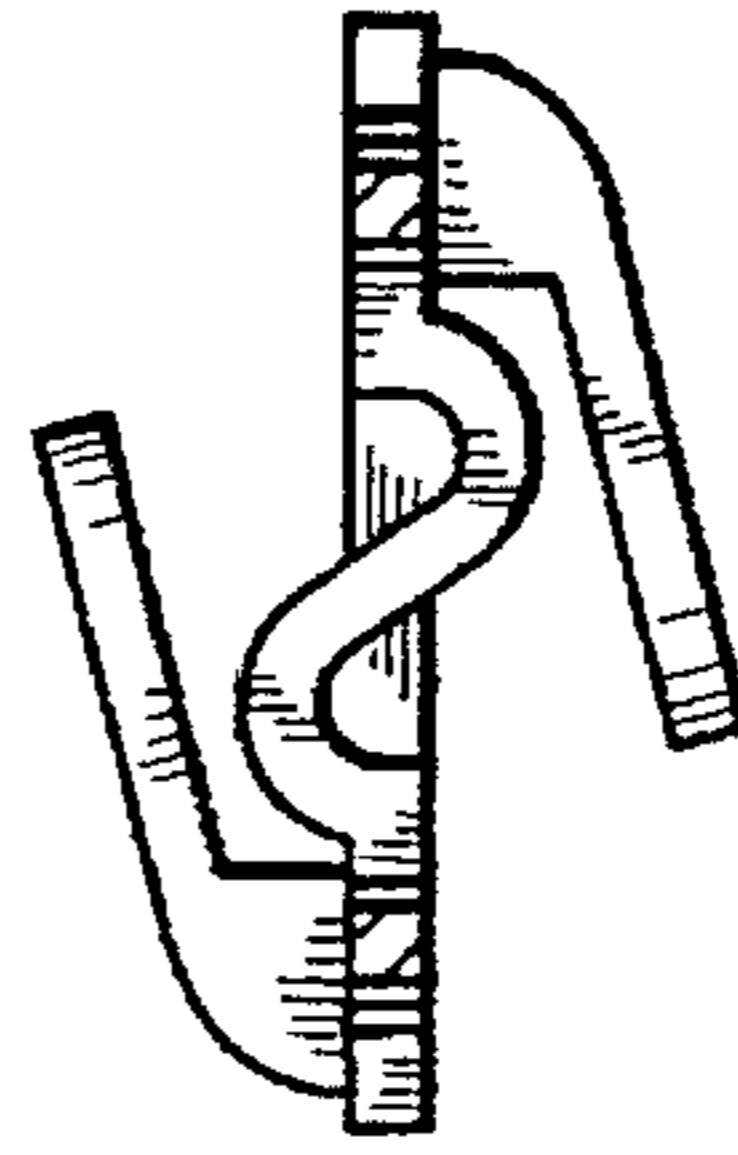


FIG. 9



FIG. 10



FIG. 11



FIG. 12

