



US00D380375S

# United States Patent [19]

Rohaly et al.

[11] Patent Number: **Des. 380,375**

[45] Date of Patent: **\*\*\*Jul. 1, 1997**

[54] CABLE TIE

[75] Inventors: **Joseph S. Rohaly**, Frankfort; **Paul M. Herbst**, Oak Forest, both of Ill.

[73] Assignee: **Panduit Corp.**, Tinley Park, Ill.

[\*] Notice: The portion of the term of this patent subsequent to May 28, 2010, has been disclaimed.

[\*\*] Term: **14 Years**

[21] Appl. No.: **33,450**

[22] Filed: **Jan. 13, 1995**

[51] LOC (6) Cl. .... **08-08**

[52] U.S. Cl. .... **D8/396; D8/394**

[58] Field of Search ..... **D8/394, 396; D9/435; 24/16 PB, 30.5 P; 248/74.3**

### [56] References Cited

#### U.S. PATENT DOCUMENTS

- D. 205,659 9/1966 Plasecki .
- D. 205,940 10/1966 Miller .
- D. 224,960 10/1972 Wilson ..... D8/396

- 3,186,047 6/1965 Schwester et al. .
- 3,965,538 6/1976 Caveney et al. .
- 4,580,319 4/1986 Paradis ..... 24/16 PB
- 5,414,904 5/1995 Sampson ..... 24/30.5 P

Primary Examiner—B. J. Bullock  
Attorney, Agent, or Firm—Mark D. Hilliard; Robert A. McCann

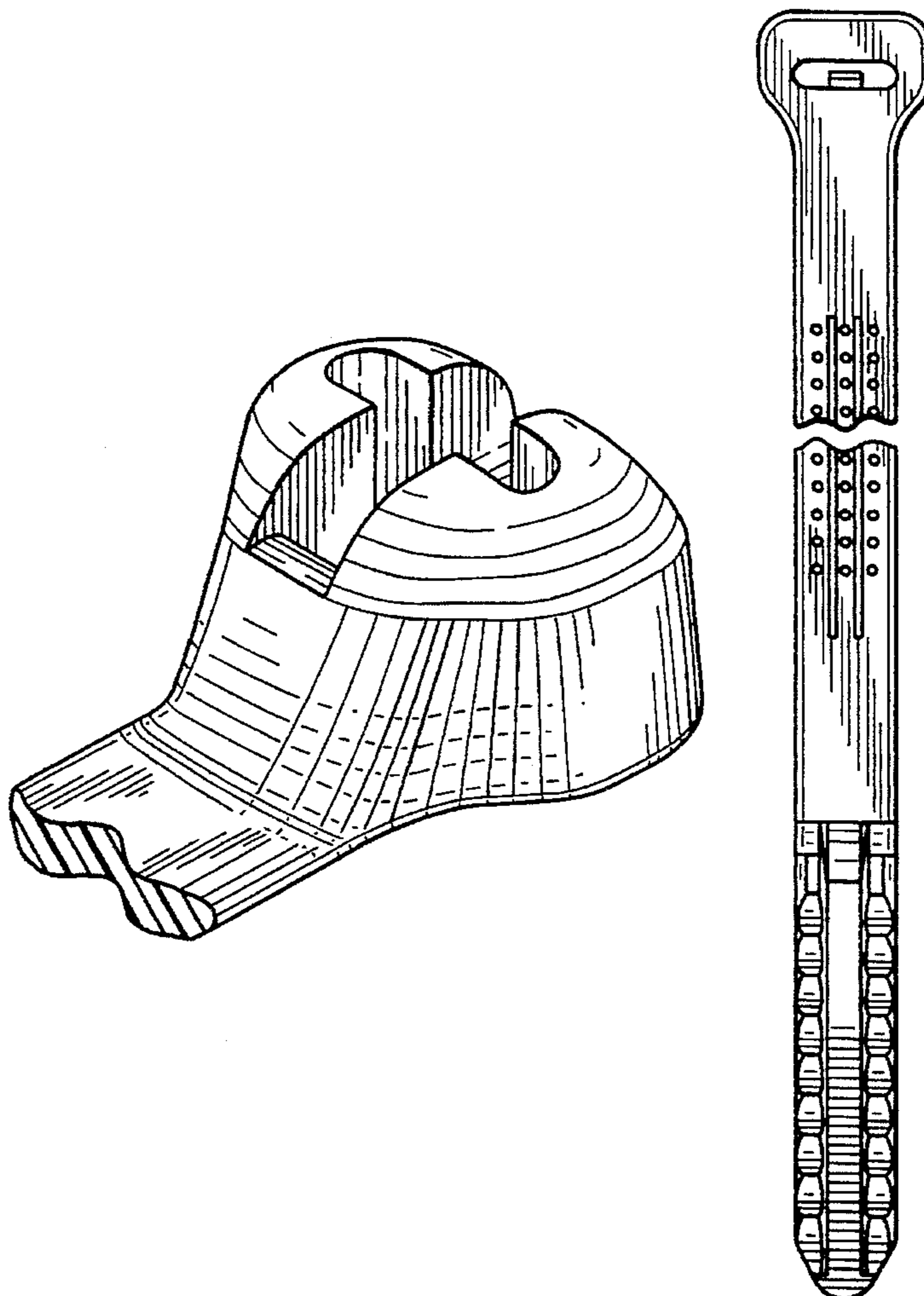
### [57] CLAIM

The ornamental design for a cable tie, as shown and described.

### DESCRIPTION

FIG. 1 is a fragmentary perspective view of the head of the cable tie of in FIGS. 3–6;  
 FIG. 2 is a fragmentary perspective view of the head of the cable tie of FIGS. 3–6;  
 FIG. 3 is a reduced end view as seen from the top of FIG. 4;  
 FIG. 4 is a reduced top view of the cable tie, shown broken away to indicate indeterminate length;  
 FIG. 5 is a left side view of FIG. 4, the right side being a mirror image thereof; and,  
 FIG. 6 is a bottom view of FIG. 4.

1 Claim, 2 Drawing Sheets



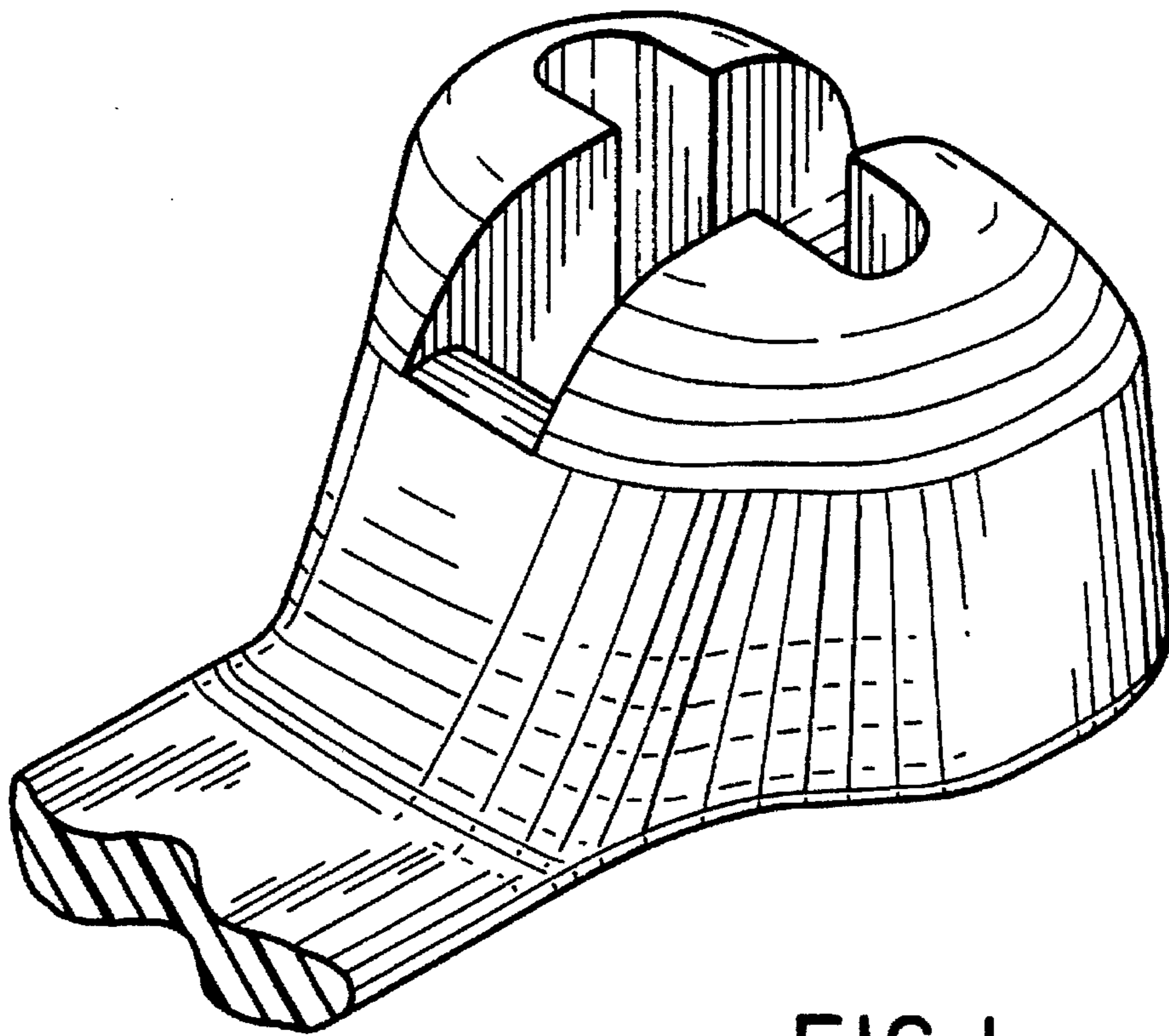


FIG. 1

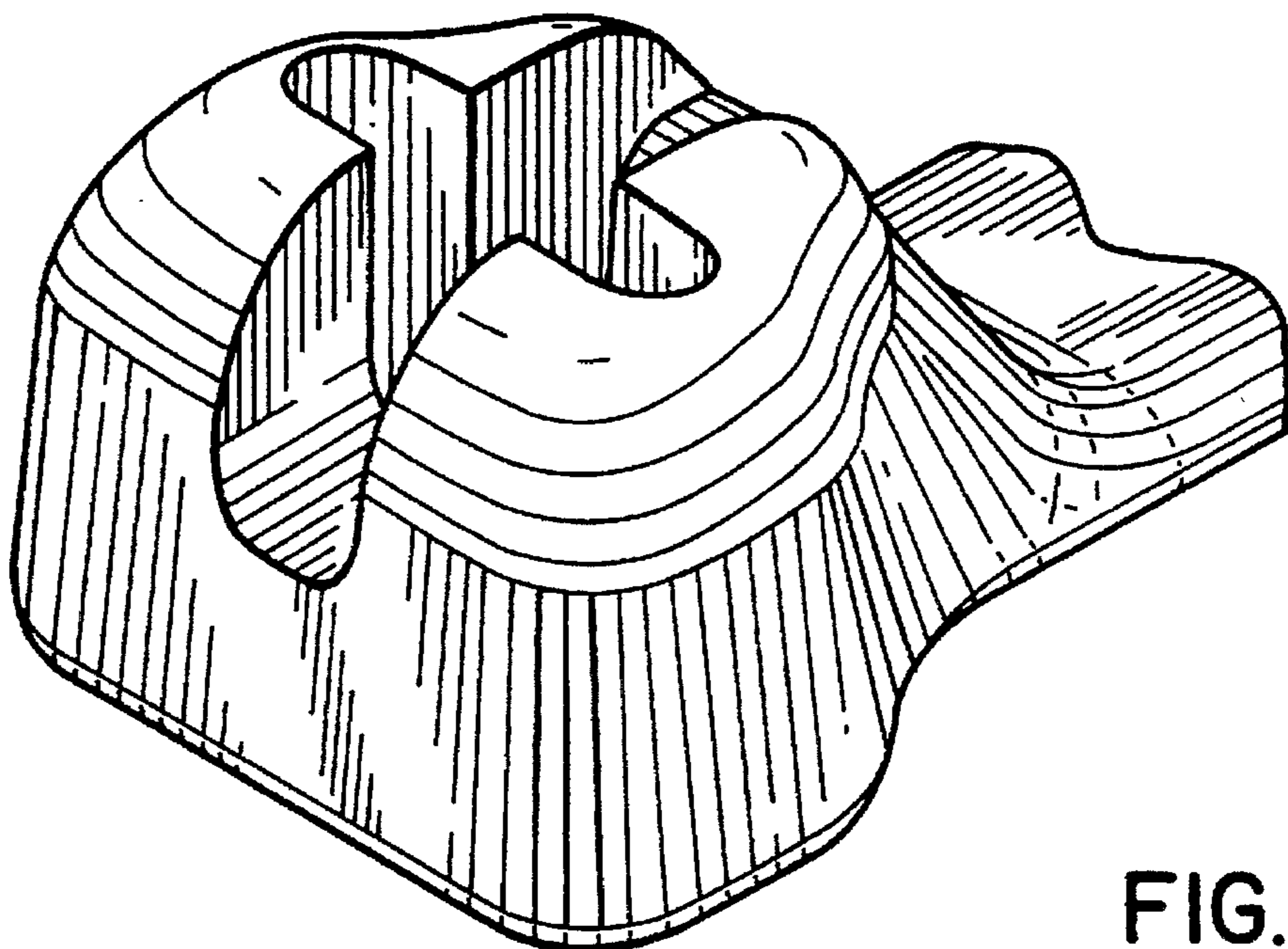


FIG. 2

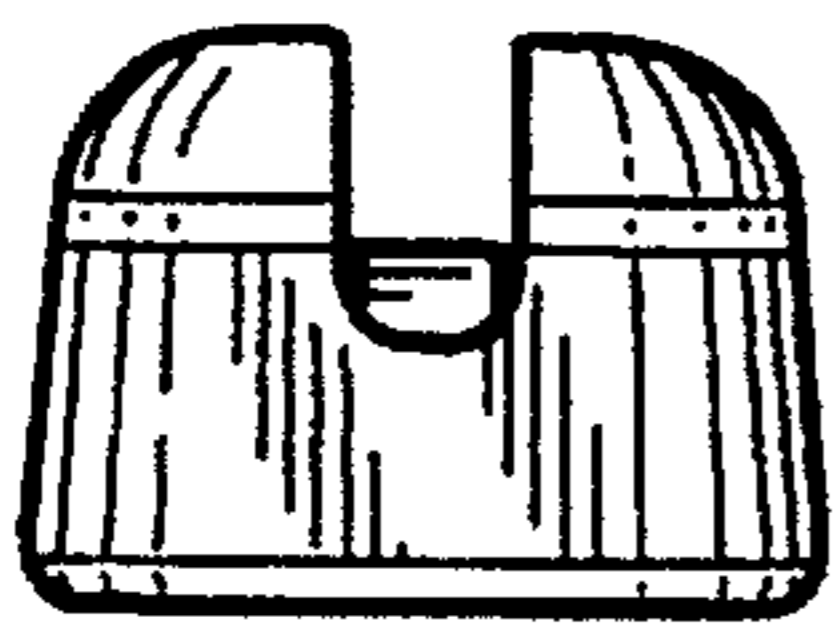


FIG. 3

FIG. 4



FIG. 5

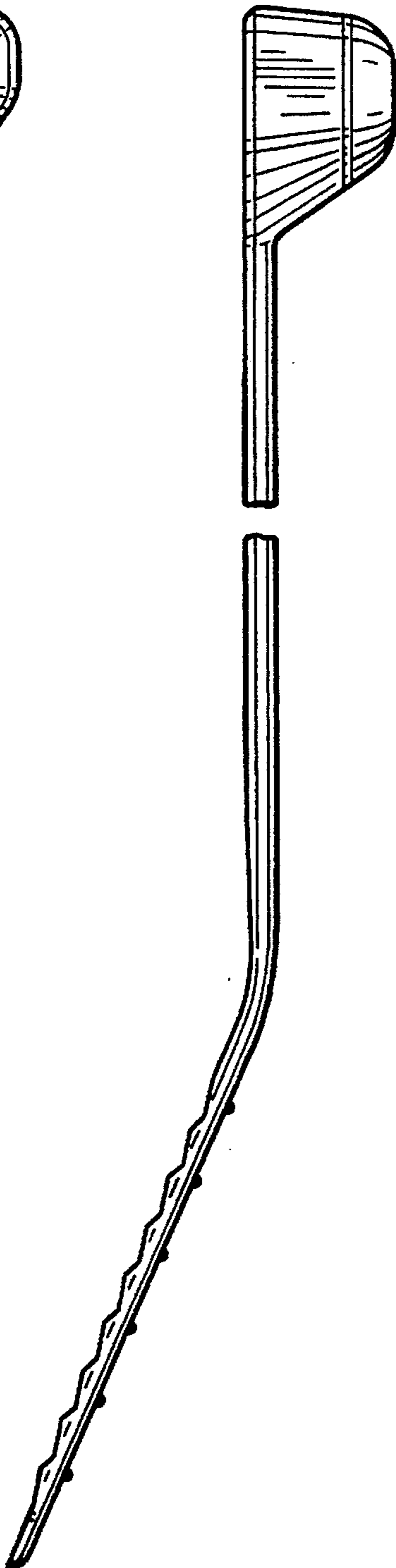


FIG. 6

