



US00D380373S

United States Patent [19] Screen

[11] Patent Number: **Des. 380,373**

[45] Date of Patent: ****Jul. 1, 1997**

[54] **CASTOR**

[75] Inventor: **Stafford Thomas Screen**, West Midlands, United Kingdom

[73] Assignee: **Colson Castors Limited**, West Midlands, United Kingdom

[**] Term: **14 Years**

[21] Appl. No.: **50,686**

[22] Filed: **Feb. 22, 1996**

[30] Foreign Application Priority Data

Aug. 22, 1995 [GB] United Kingdom 2 049 795

[51] LOC (6) Cl. **08-05**

[52] U.S. Cl. **D8/375**

[58] Field of Search D8/375; 16/18 R, 16/18 CG, 45, 47; 190/18 A; 188/1.12

[56] References Cited

U.S. PATENT DOCUMENTS

D. 343,787 2/1994 Finkelday et al. D8/375

D. 345,689 4/1994 Morooka D8/375
D. 349,043 7/1994 Carlson et al. D8/375
5,383,536 1/1995 Butter et al. 188/1.12

OTHER PUBLICATIONS

Payson Casters, Jul. 5, 1988, p. 41, castor item A in middle of page.

Colson Casters, Feb. 24, 1986, p. 2, caster at right of page.

Primary Examiner—Holly Baynham

Attorney, Agent, or Firm—Young & Thompson

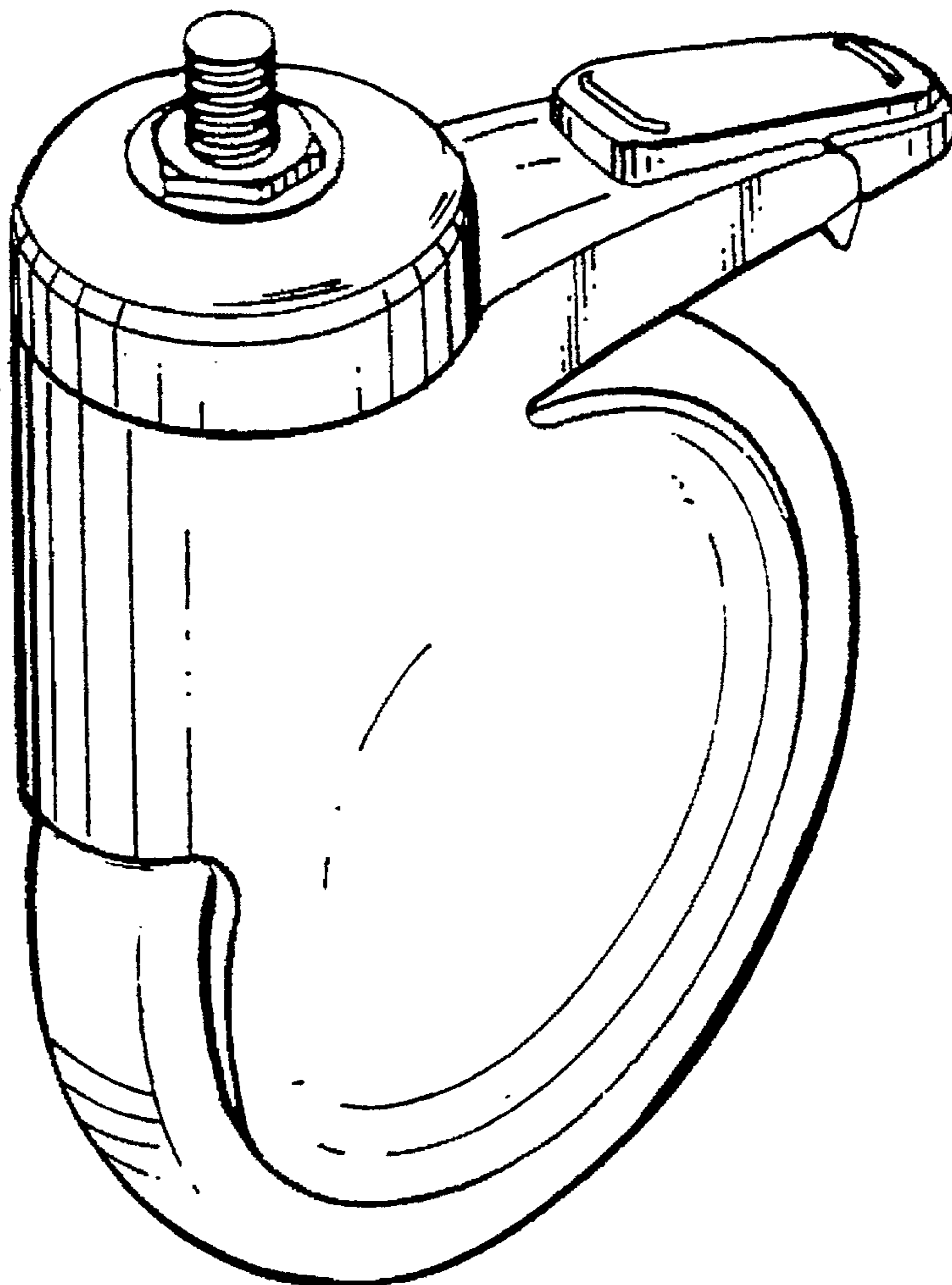
[57] CLAIM

The ornamental design for a castor, as shown and described.

DESCRIPTION

FIG. 1 is a side elevational view of a castor showing my new design with the opposite side being a mirror image;
FIG. 2 is a front elevational view thereof;
FIG. 3 is a top plan view thereof;
FIG. 4 is a rear elevational view thereof;
FIG. 5 is a bottom plan view thereof; and,
FIG. 6 is a top, front and side perspective view thereof.

1 Claim, 2 Drawing Sheets



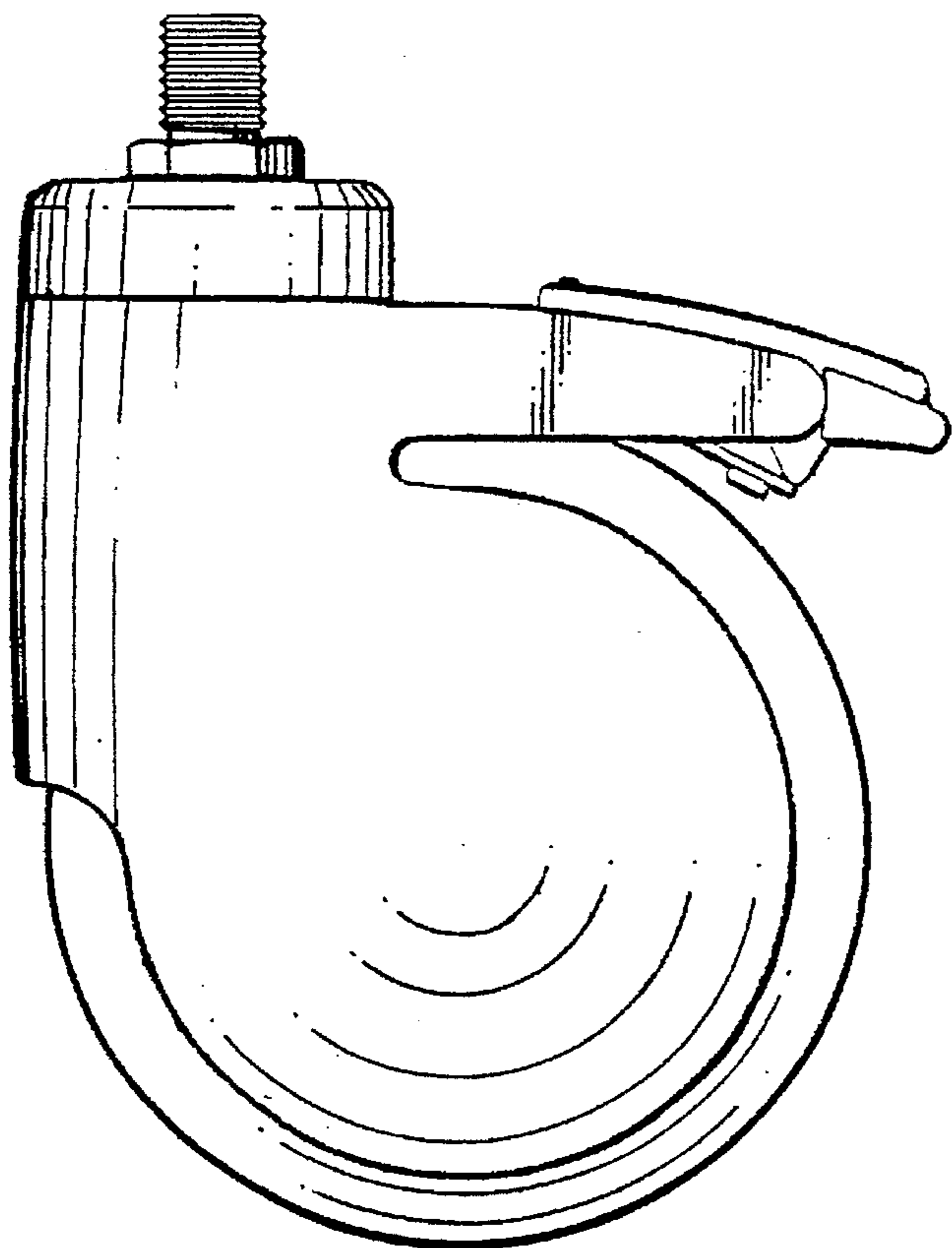


FIG. 1

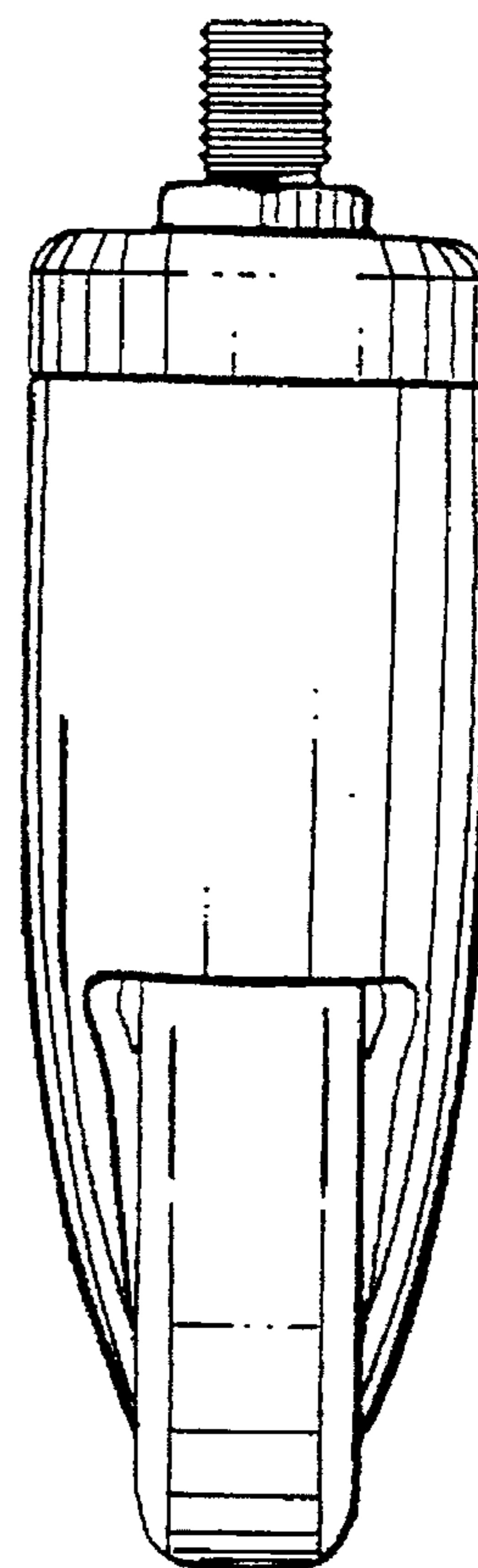


FIG. 2

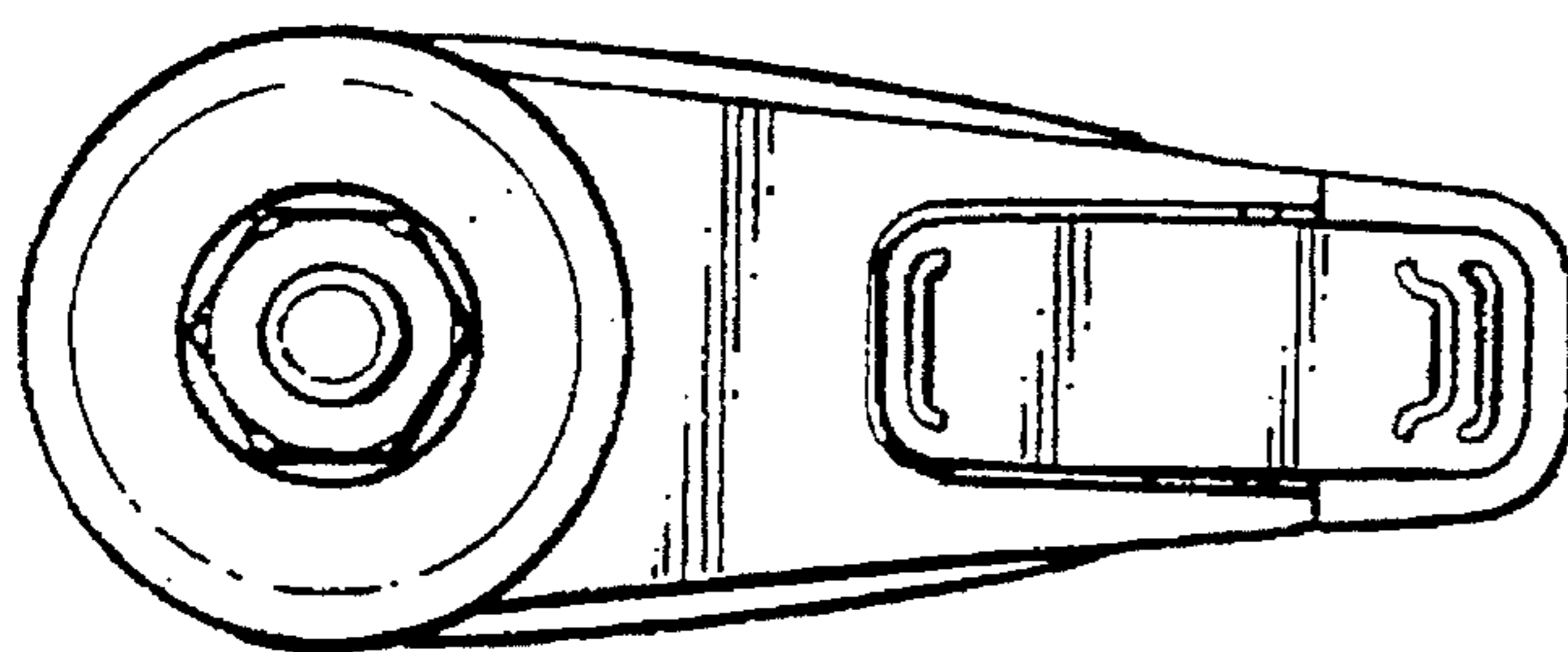


FIG. 3

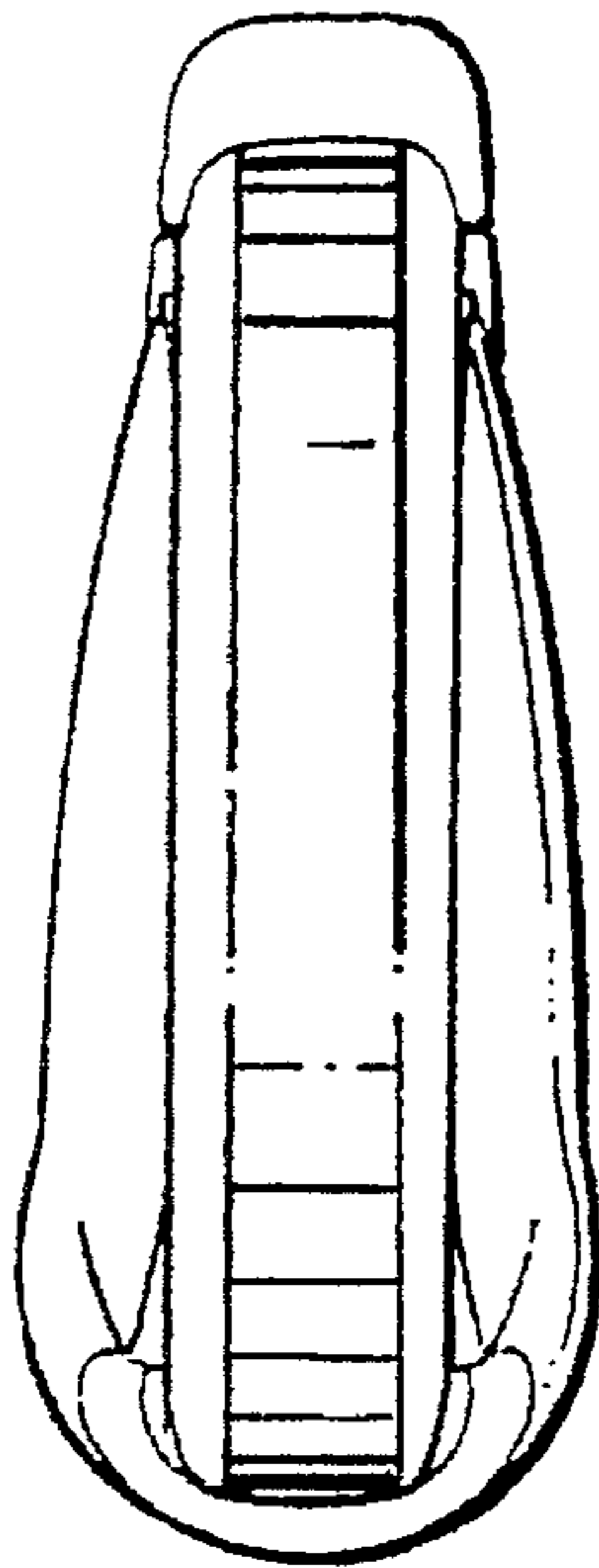


FIG. 5

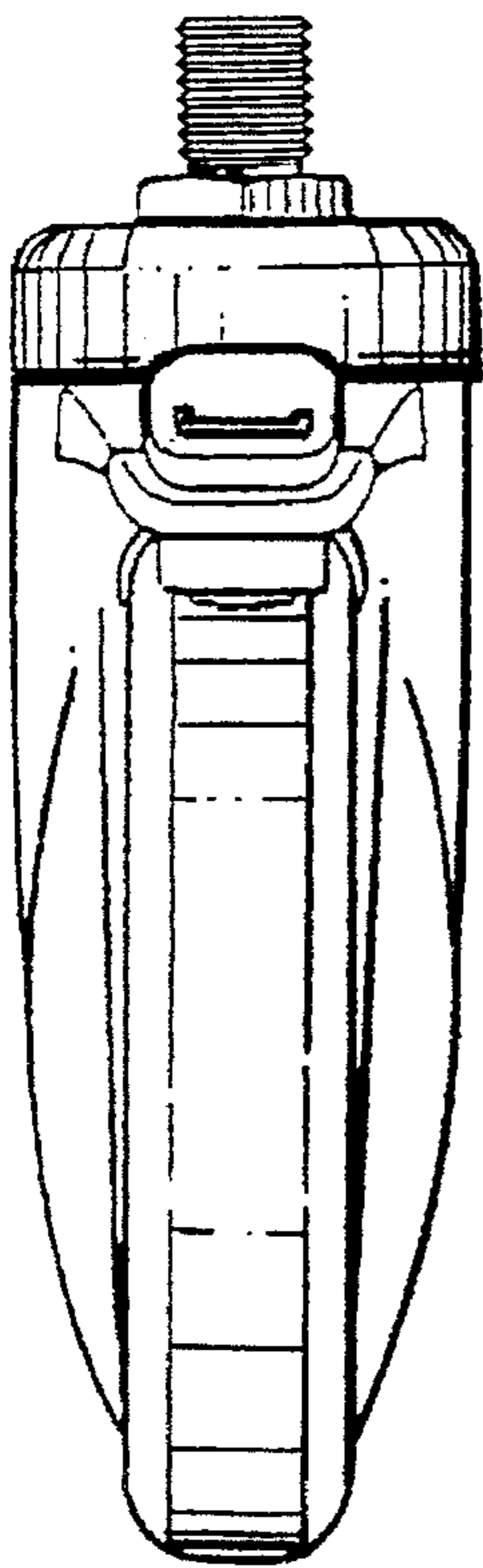


FIG. 4

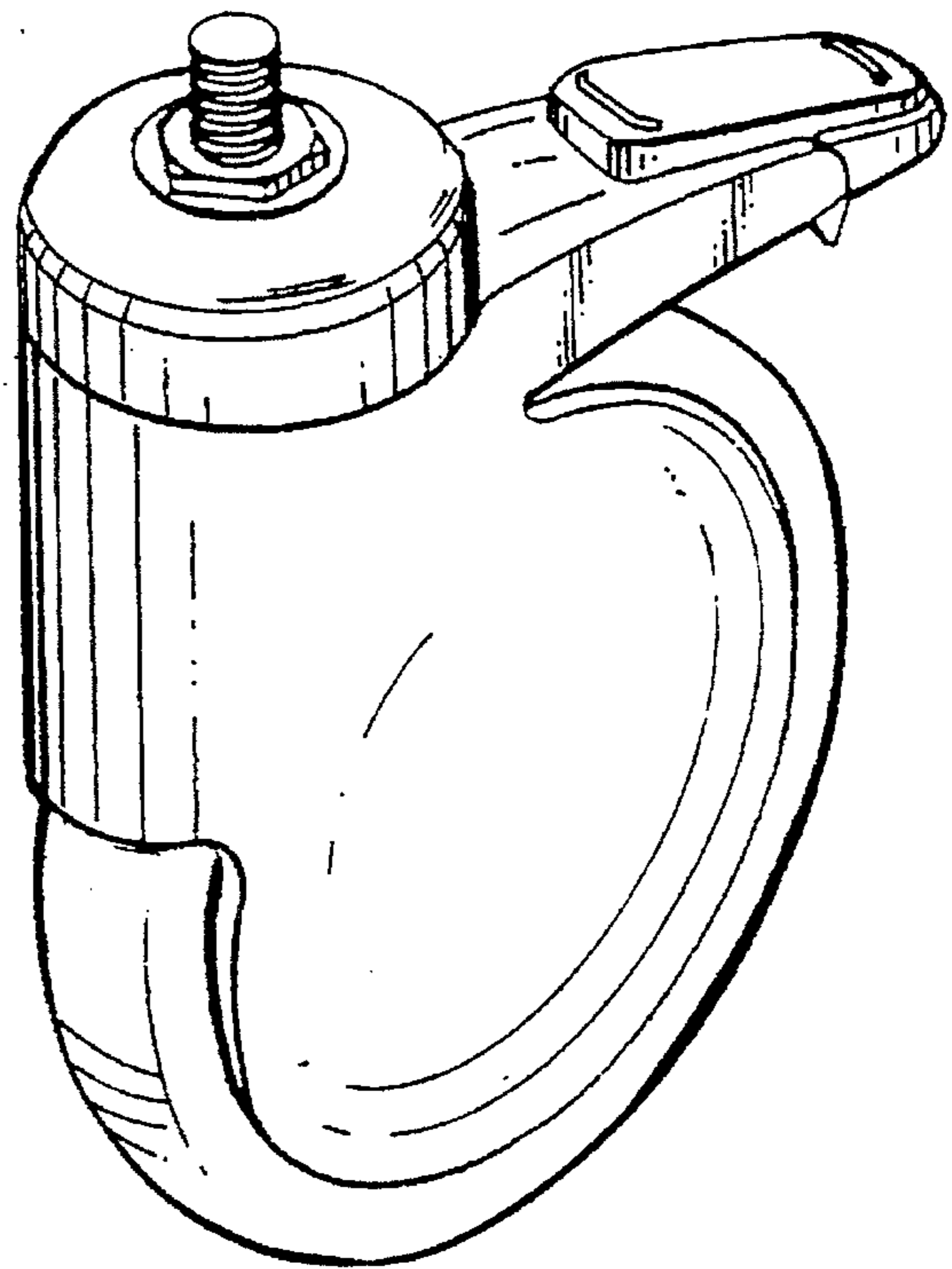


FIG. 6