



US00D380372S

United States Patent [19]
McManaway

[11] **Patent Number: Des. 380,372**

[45] **Date of Patent: **Jul. 1, 1997**

- [54] **MONOFILAMENT LINE HOLDER**
- [76] **Inventor: Allen C. McManaway, 330 173rd Ave.,
N. Redington Beach, Fla. 33708**
- [**] **Term: 14 Years**
- [21] **Appl. No.: 45,906**
- [22] **Filed: Nov. 2, 1995**
- [51] **LOC (6) Cl. 08-05**
- [52] **U.S. Cl. D8/358; D22/134**
- [58] **Field of Search D8/358, 359; D22/134;
242/129.5, 129.6, 129.7, 129.62, 118.62,
118.4, 405, 405.1**

- 5,106,056 4/1992 Crates et al. 242/405 X
- 5,340,084 8/1994 Crates et al. 242/405 X

Primary Examiner—Holly Baynham
Attorney, Agent, or Firm—Larson & Larson, P.A.; James E. Larson

[57] **CLAIM**

The ornamental design for a monofilament line holder, as shown and described.

DESCRIPTION

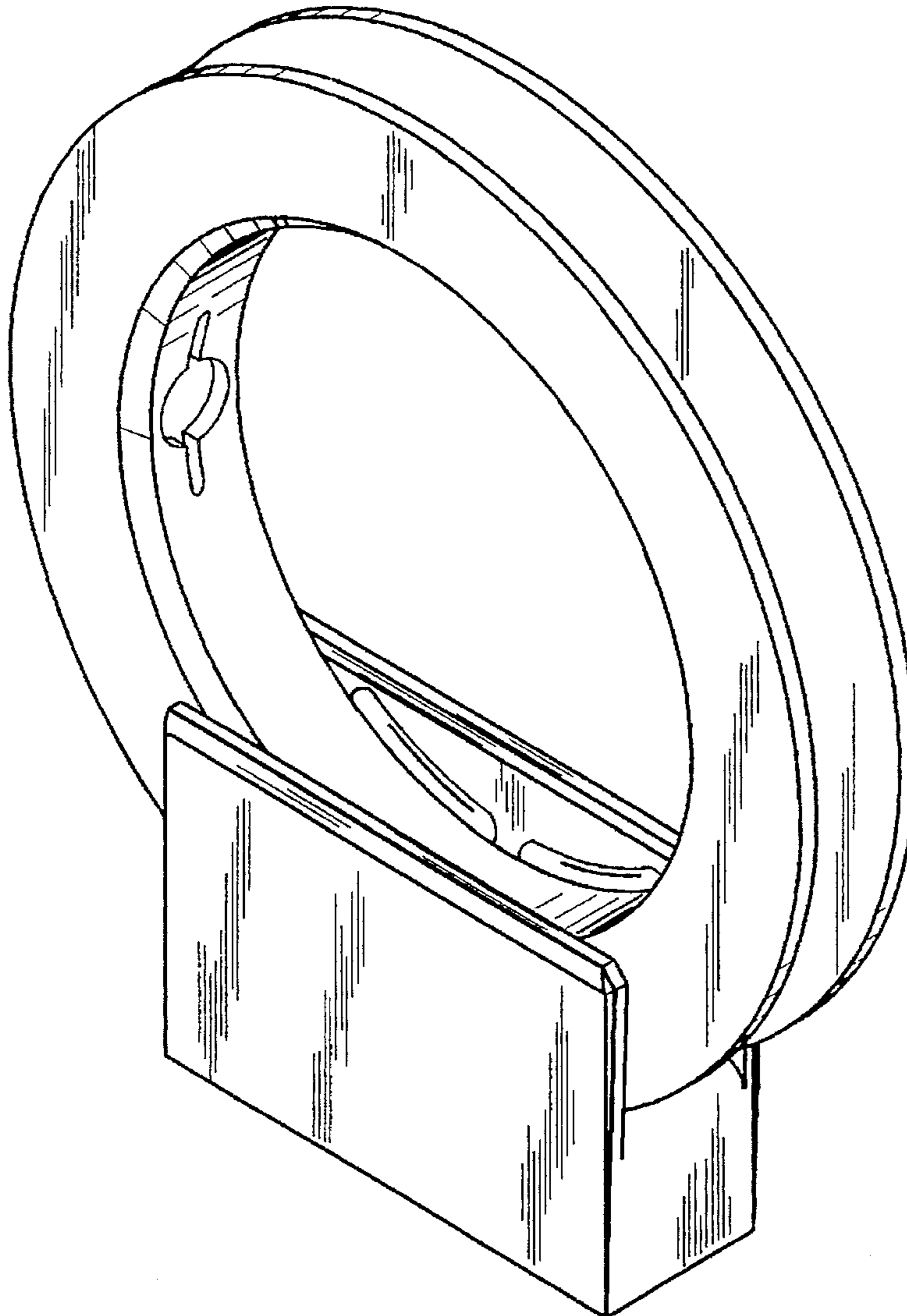
FIG. 1 is a perspective view of my monofilament line holder showing my new design;
FIG. 2 is a reduced scale right side elevational view thereof;
FIG. 3 is a left side elevational view thereof;
FIG. 4 is a front view thereof;
FIG. 5 is a rear view thereof;
FIG. 6 is a top plan view thereof; and,
FIG. 7 is a bottom plan view thereof.

[56] **References Cited**

U.S. PATENT DOCUMENTS

- D. 202,366 9/1965 Bishop D8/358
- D. 314,910 2/1991 VanSkiver D8/358 X
- 2,392,733 1/1946 Barrett 242/118.4

1 Claim, 2 Drawing Sheets



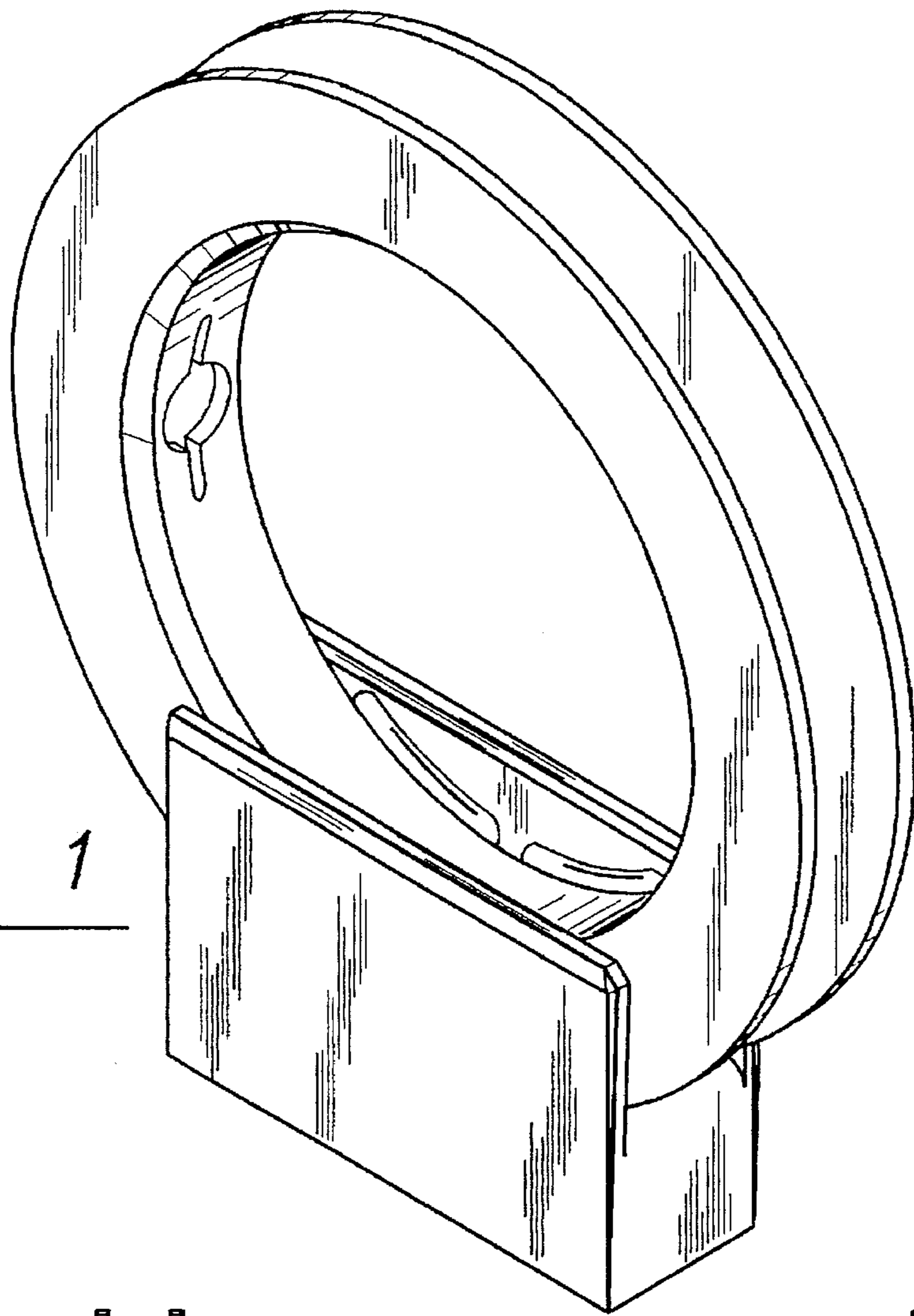


Fig. 1

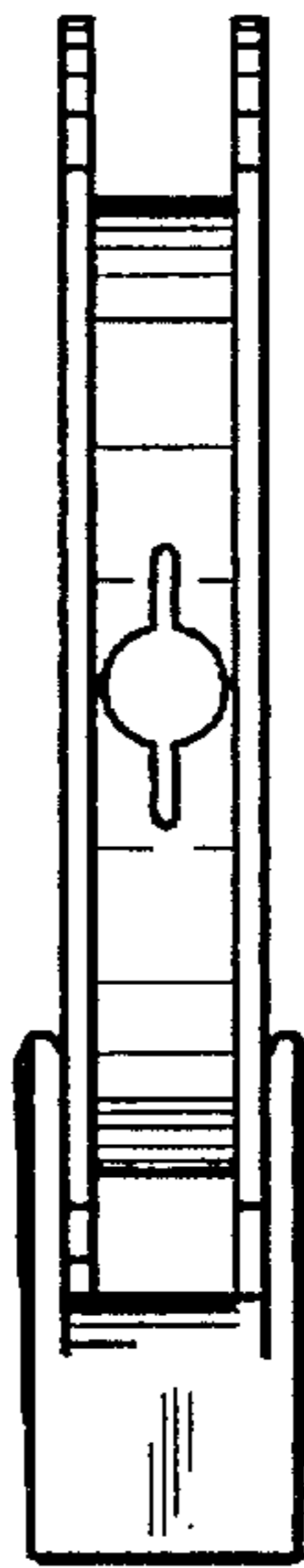


Fig. 2

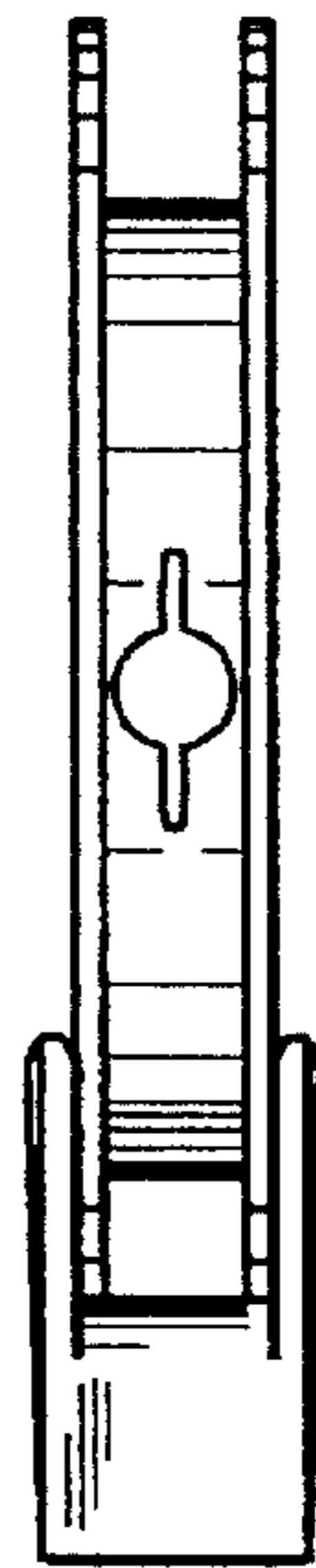


Fig. 3

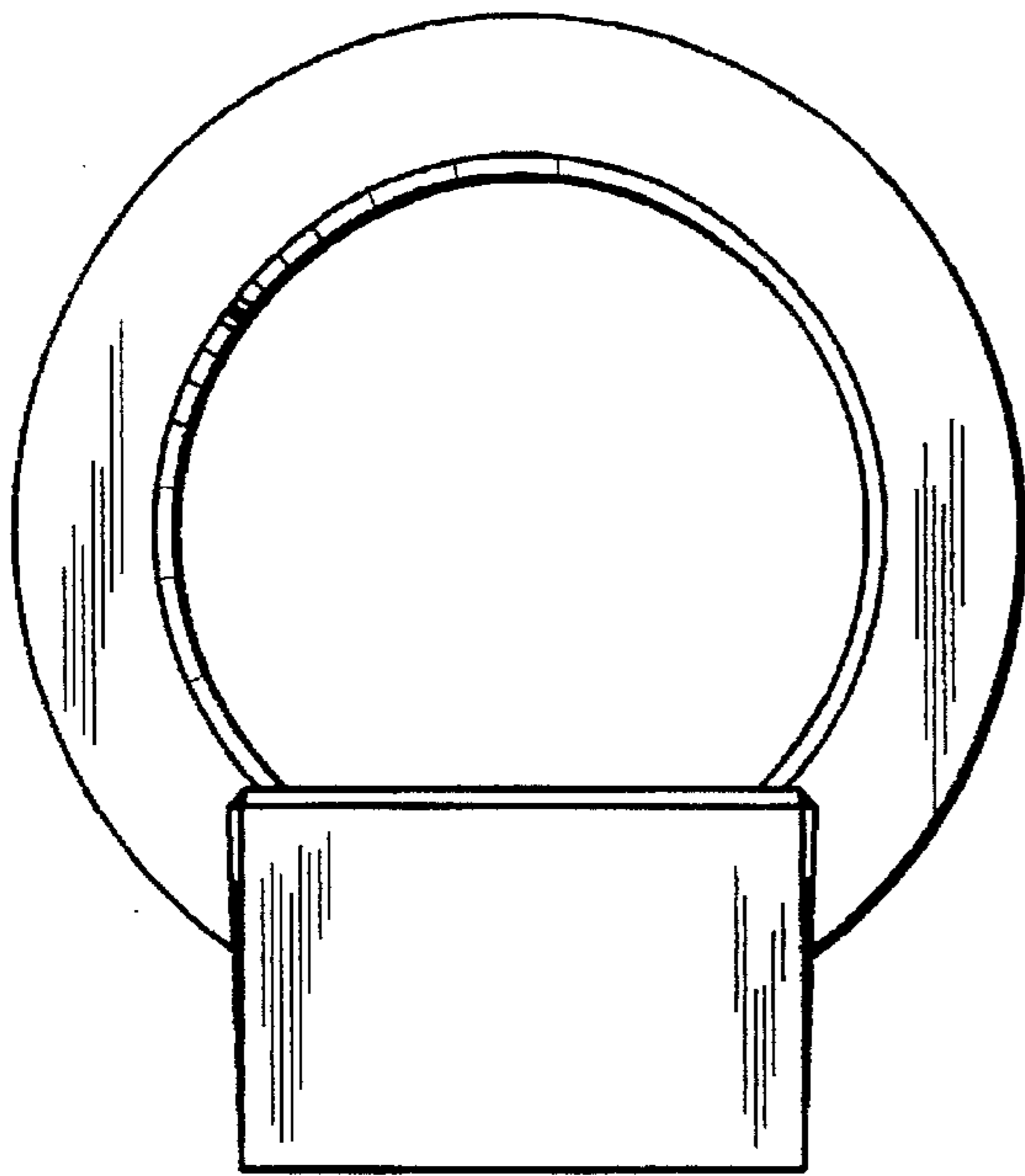


Fig. 4

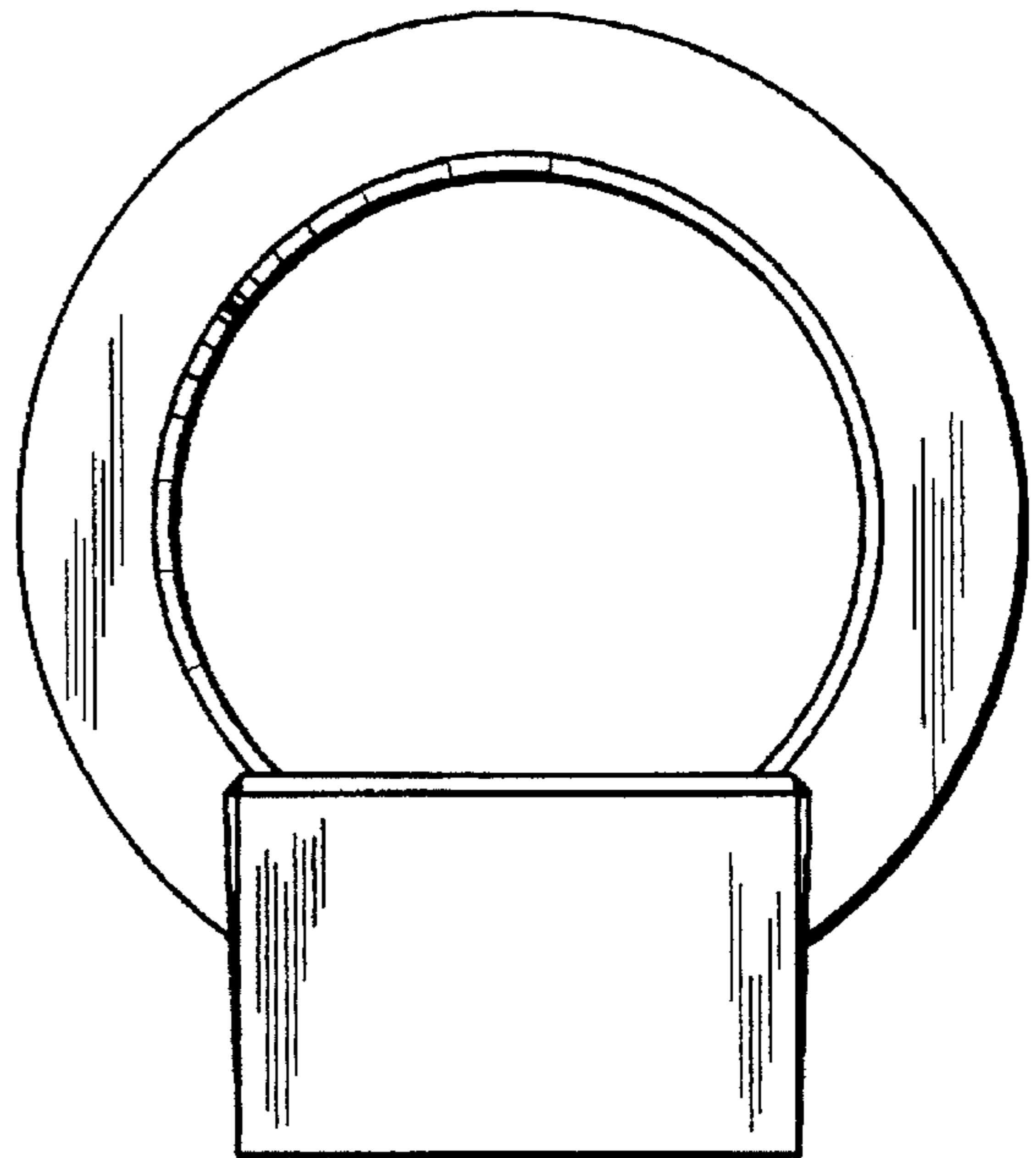


Fig. 5

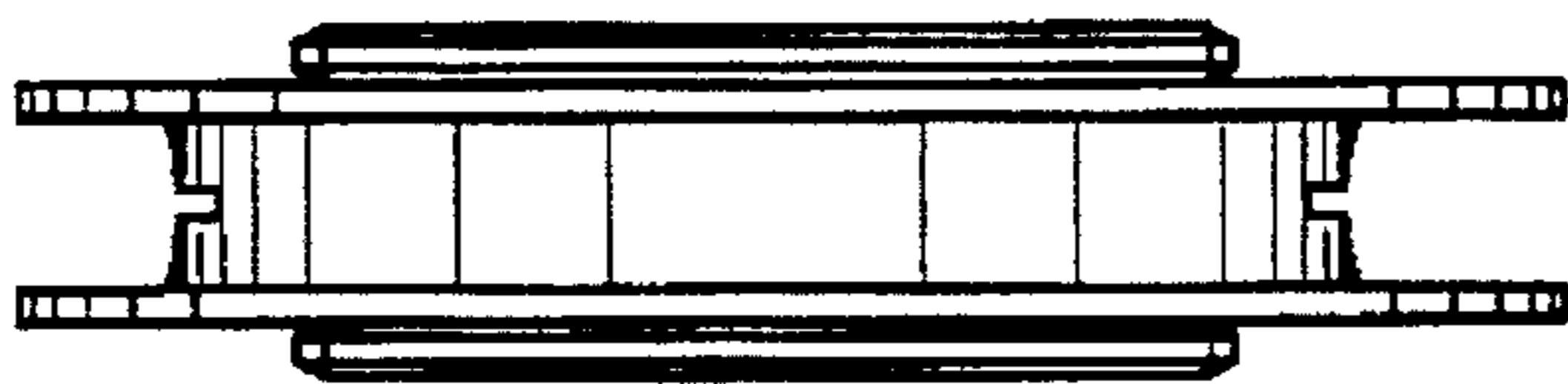


Fig. 6

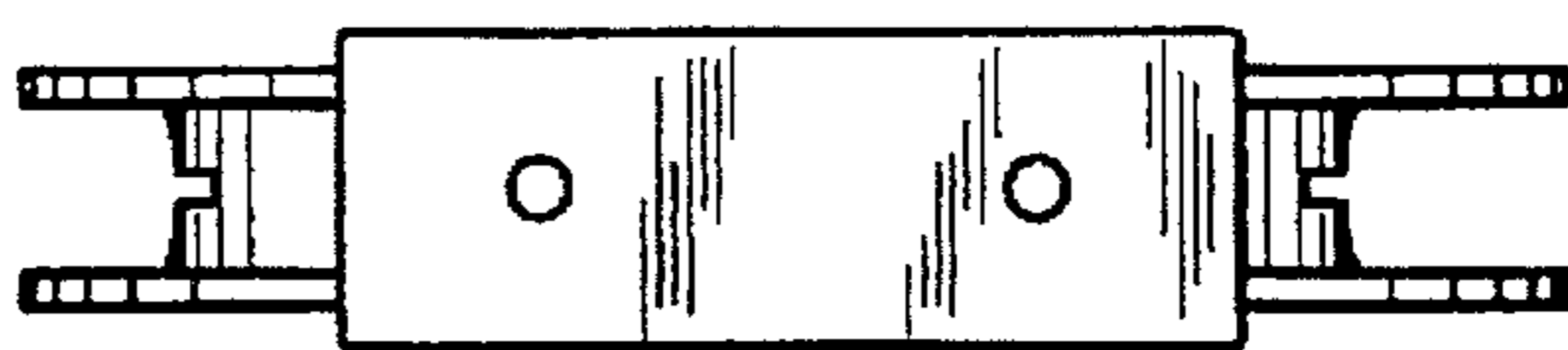


Fig. 7