



US00D380371S

# United States Patent [19]

[11] Patent Number: **Des. 380,371**

**Maher et al.**

[45] Date of Patent: **\*\*Jul. 1, 1997**

[54] **JUMP CUP**

*Attorney, Agent, or Firm*—Jones, Tullar & Cooper, P.C.

[76] Inventors: **Roy St. John Maher; Michelle Christine Bartlett**, both of R.R. #3, Mount Albert, Ontario, Canada, L0G 1M0

[57] **CLAIM**

The ornamental design for a jump cup, as shown and described.

[\*\*] Term: **14 Years**

**DESCRIPTION**

[21] Appl. No.: **50,999**

FIG. 1 is a perspective view of a first embodiment of the jump cup of the present invention;

[22] Filed: **Mar. 1, 1996**

FIG. 2 is an enlarged top plan view of the jump cup of FIG. 1;

[51] LOC (6) Cl. .... **08-08**

FIG. 3 is an enlarged bottom plan view of the jump cup of FIG. 1;

[52] U.S. Cl. .... **D8/354**

FIG. 4 is an enlarged side view in elevation of the jump cup of FIG. 1 as seen from the far side of FIG. 1;

[58] Field of Search ..... D8/349, 354, 380; 248/221, 289.31, 529; 482/16

FIG. 5 is an enlarged front elevational view of the jump cup of FIG. 1;

[56] **References Cited**

FIG. 6 is an enlarged rear elevational view of the jump cup of FIG. 1;

**U.S. PATENT DOCUMENTS**

FIG. 7 is a perspective view of a second embodiment of the jump cup of the present invention;

565,898	8/1896	Holmes .	
3,209,729	10/1965	Zedaker .	
3,514,062	5/1970	Gordon .	
3,749,344	7/1973	Racina .	
4,239,168	12/1980	Colonna des Princes .	
4,368,875	1/1983	Weiss et al. .	
4,989,821	2/1991	Wong .....	248/529
5,334,119	8/1994	Eloranta .....	482/16

FIG. 8 is an enlarged top plan view of the jump cup of FIG. 7;

**FOREIGN PATENT DOCUMENTS**

33 06 918	8/1984	Germany .	
2 152 822	8/1985	United Kingdom .	

FIG. 9 is an enlarged bottom plan view of the jump cup of FIG. 7;

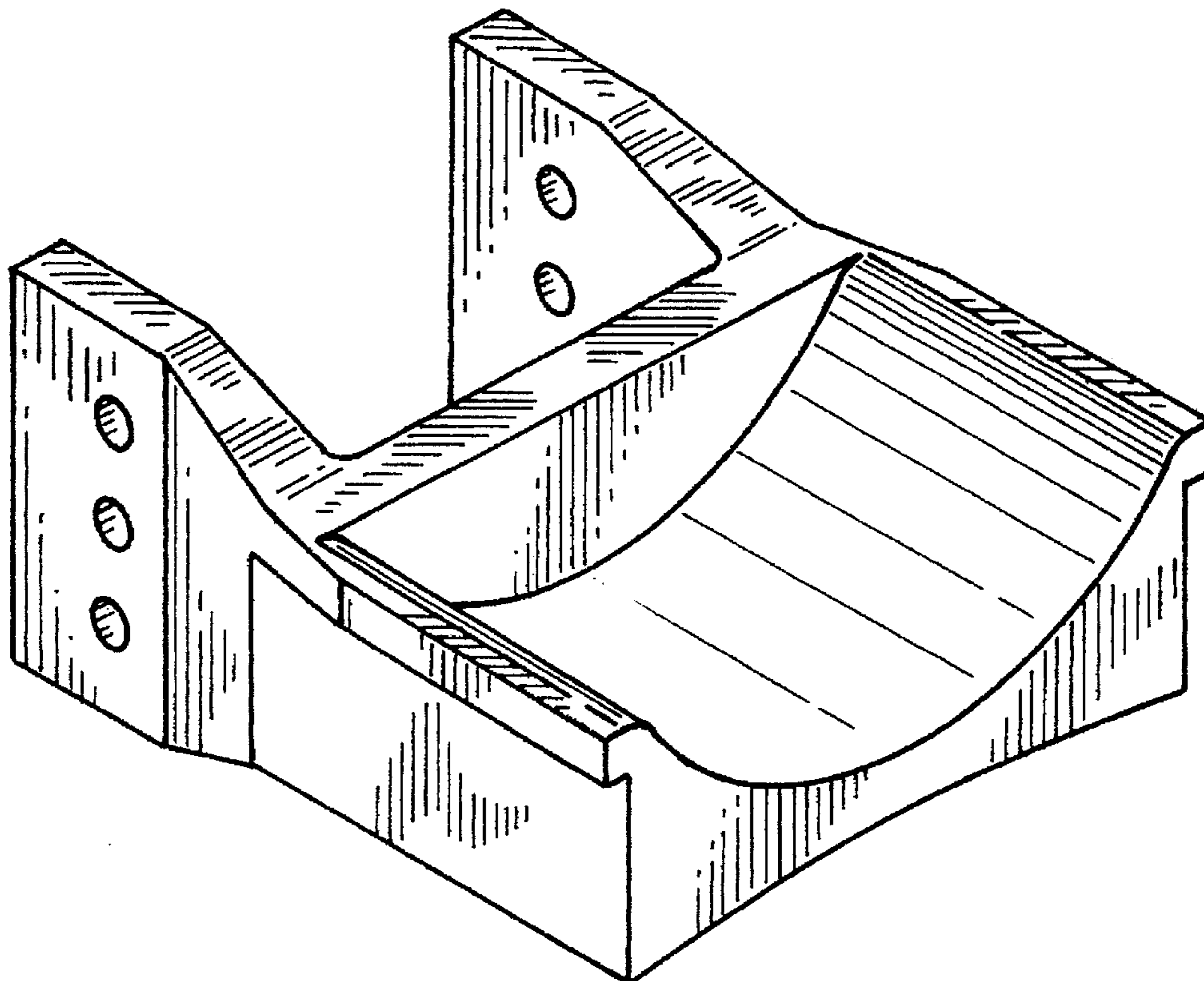
FIG. 10 is an enlarged side view in elevation of the jump cup of FIG. 7 as seen from the far side of FIG. 7;

FIG. 11 is an enlarged front elevational view of the jump cup of FIG. 7; and,

FIG. 12 is an enlarged rear elevational view of the jump cup of FIG. 7.

*Primary Examiner*—Holly Baynham

**1 Claim, 4 Drawing Sheets**



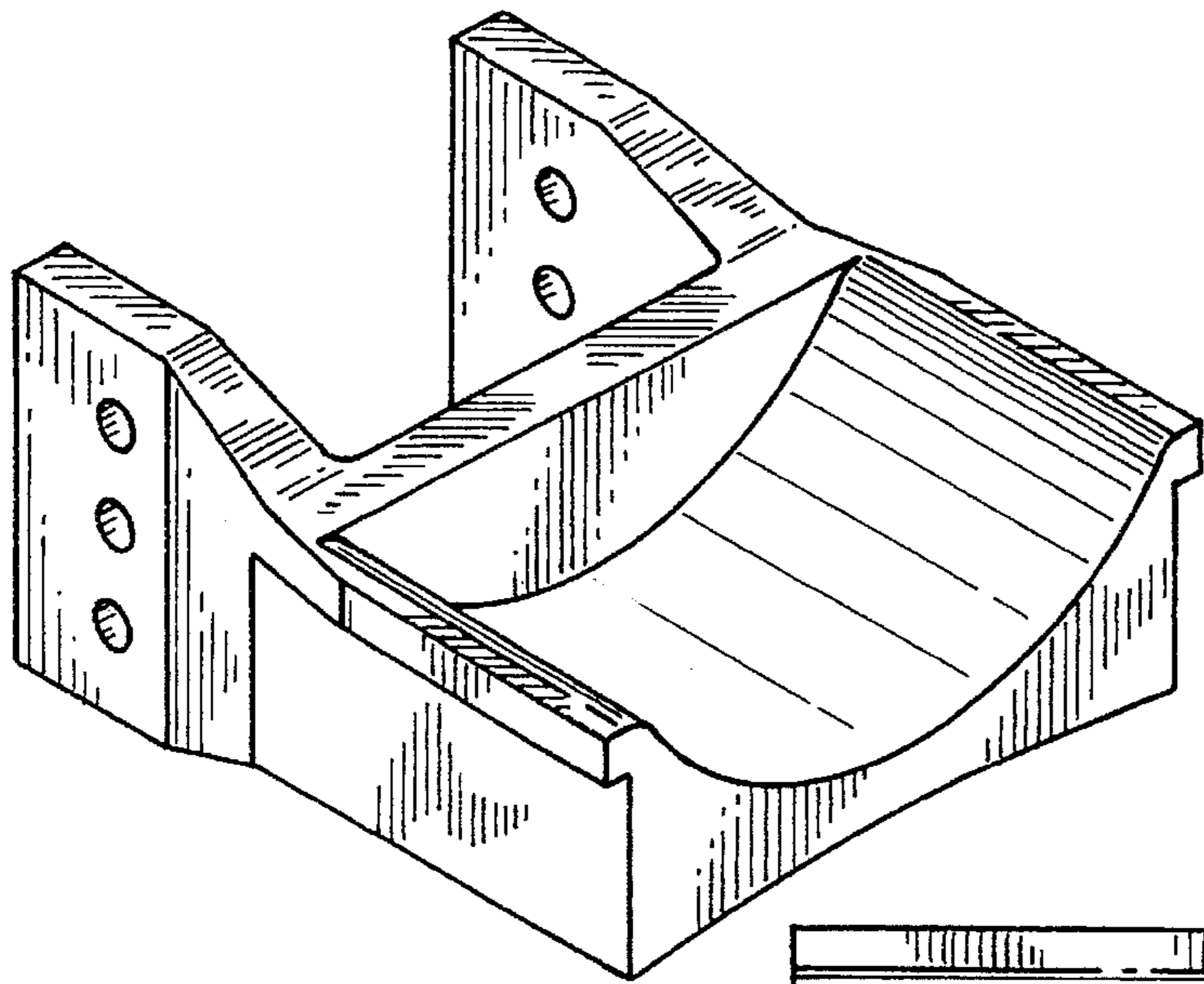


FIG. 1

FIG. 2

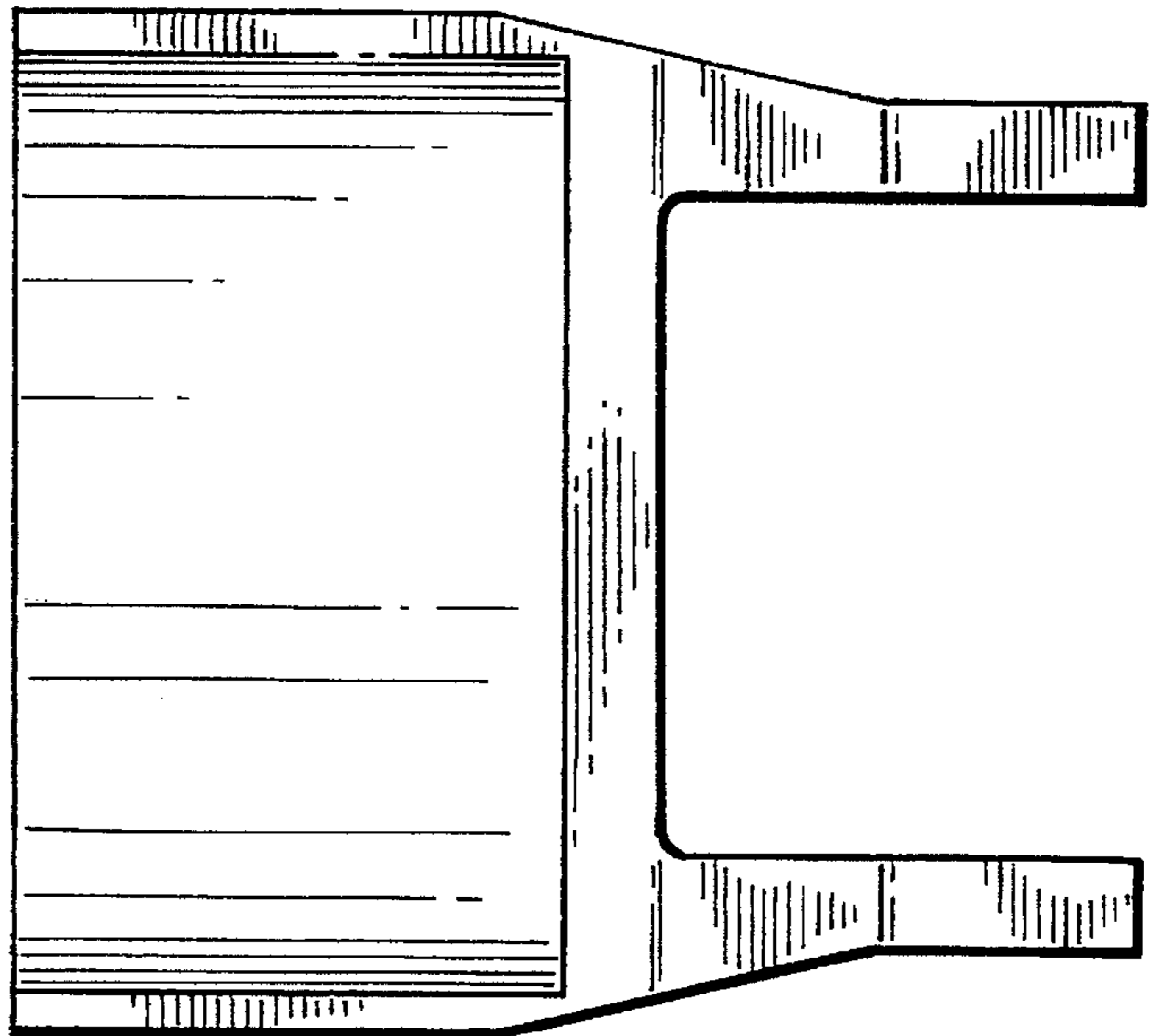
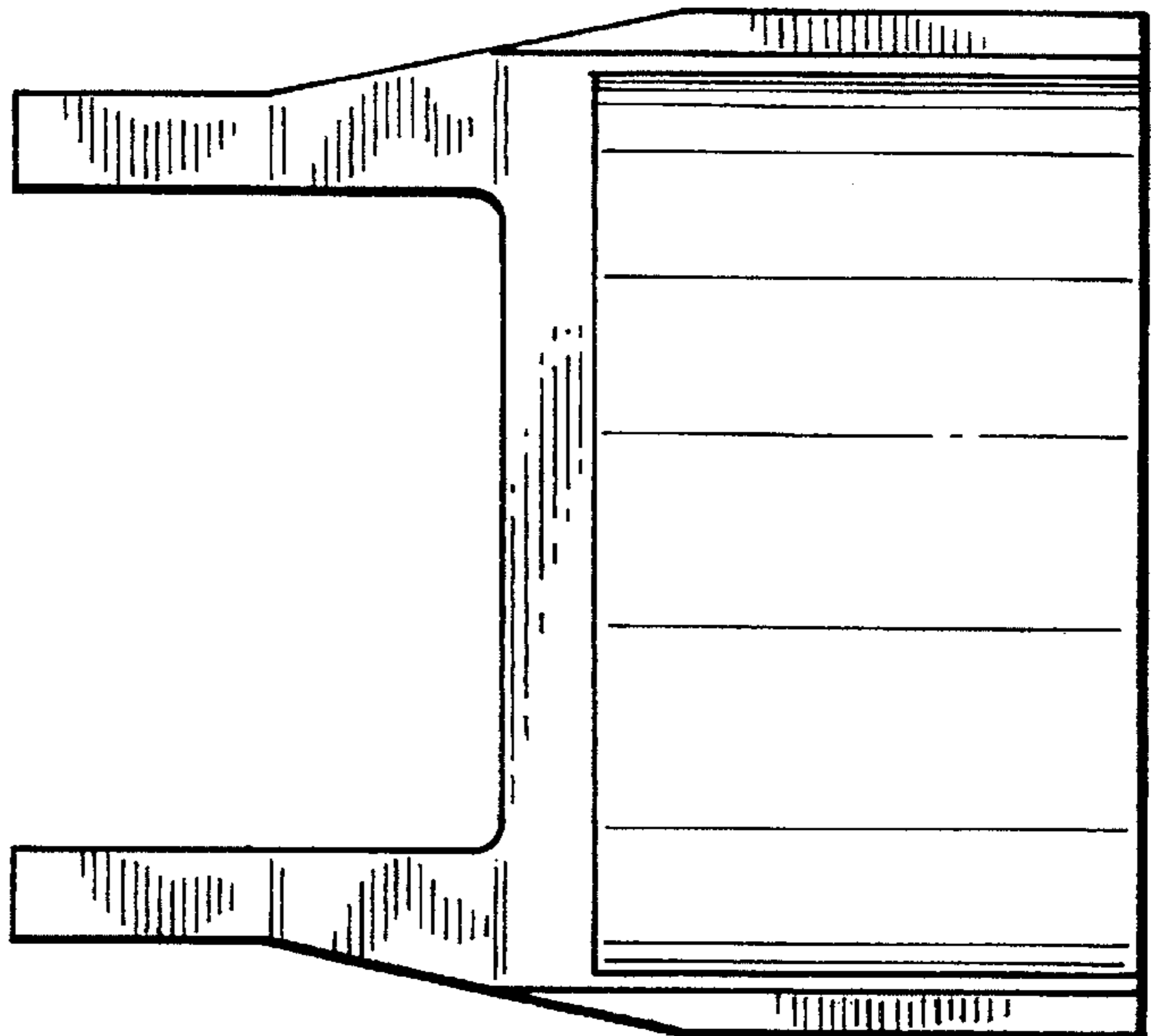


FIG. 3



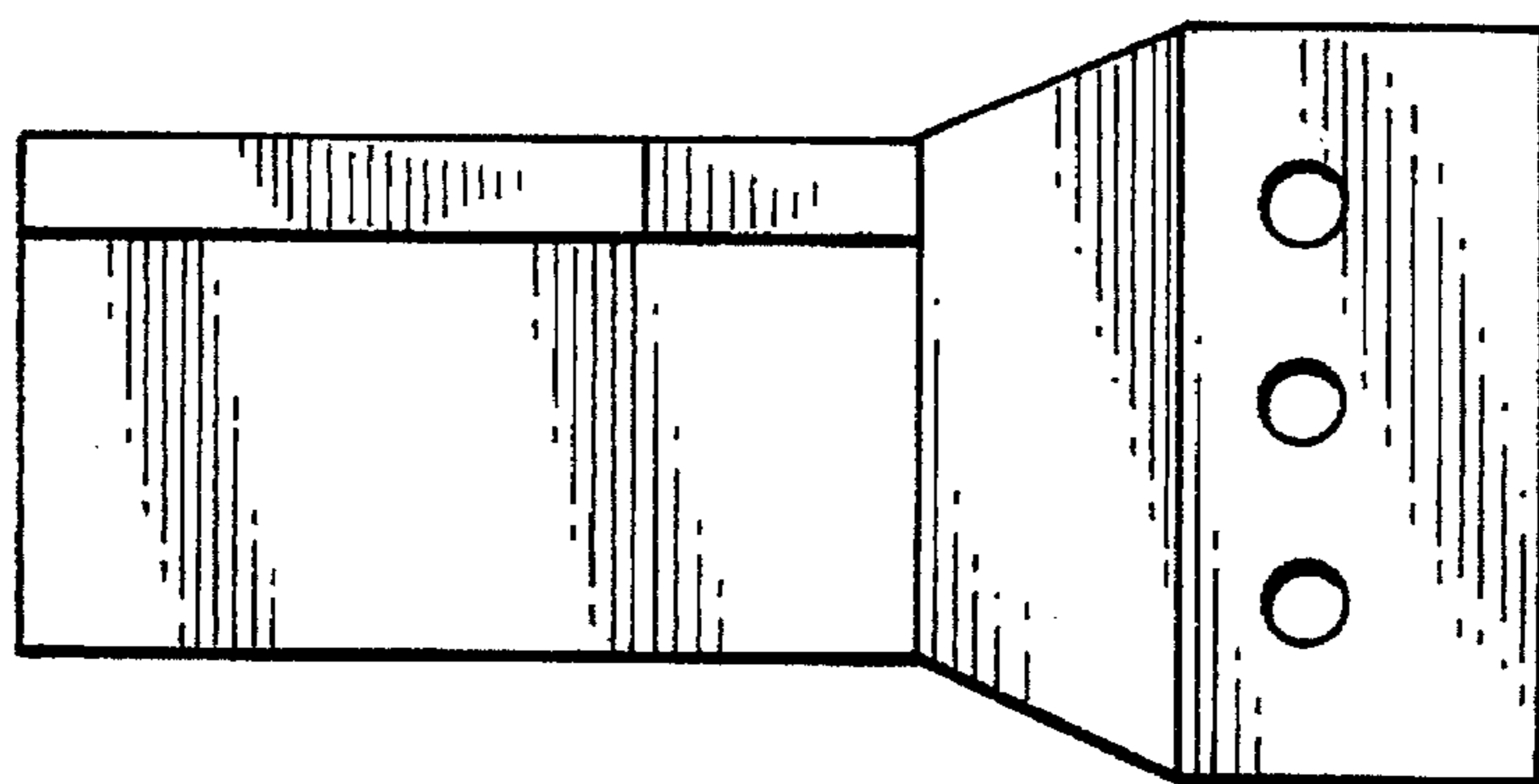


FIG. 4

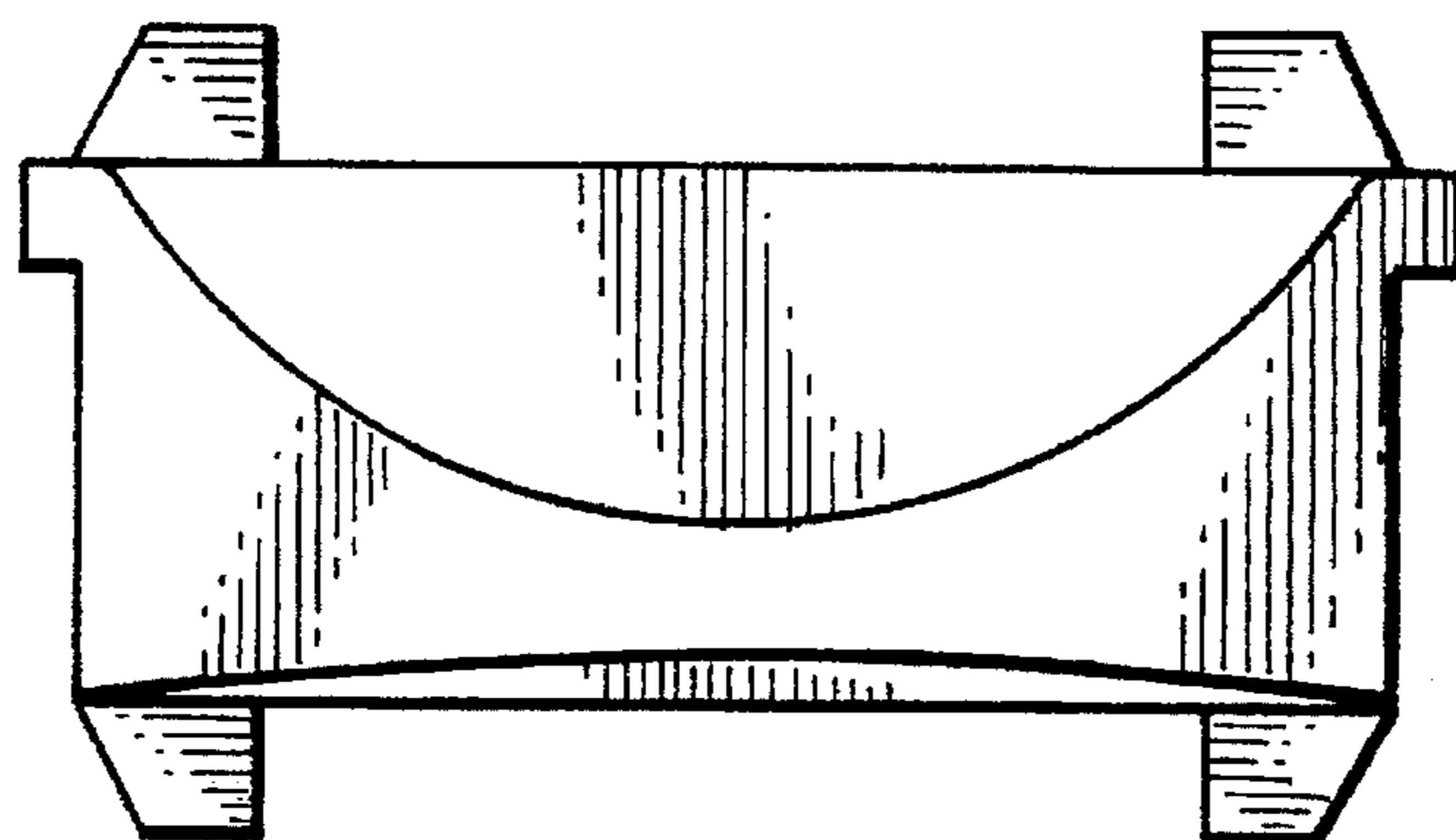


FIG. 5

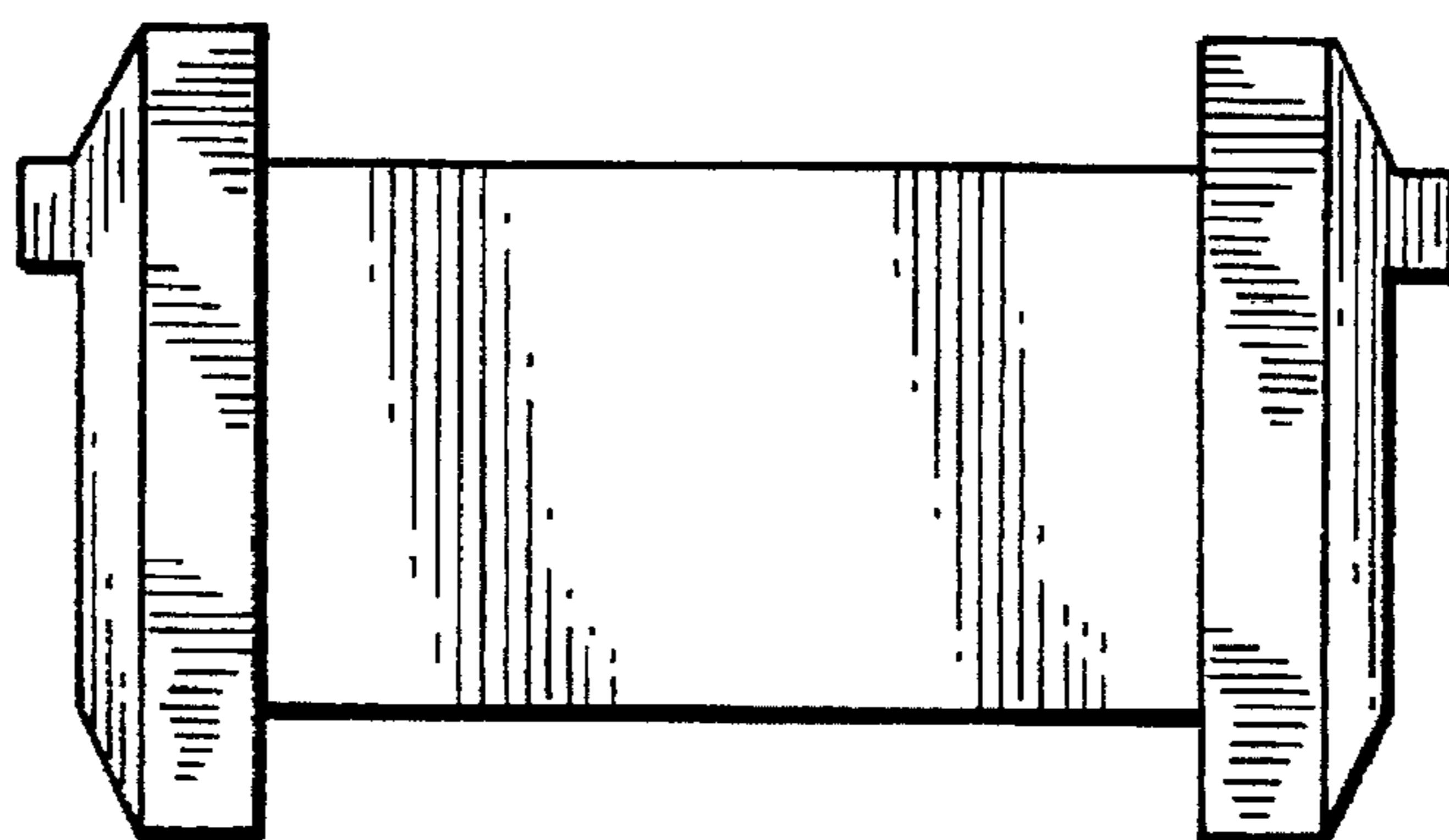


FIG. 6

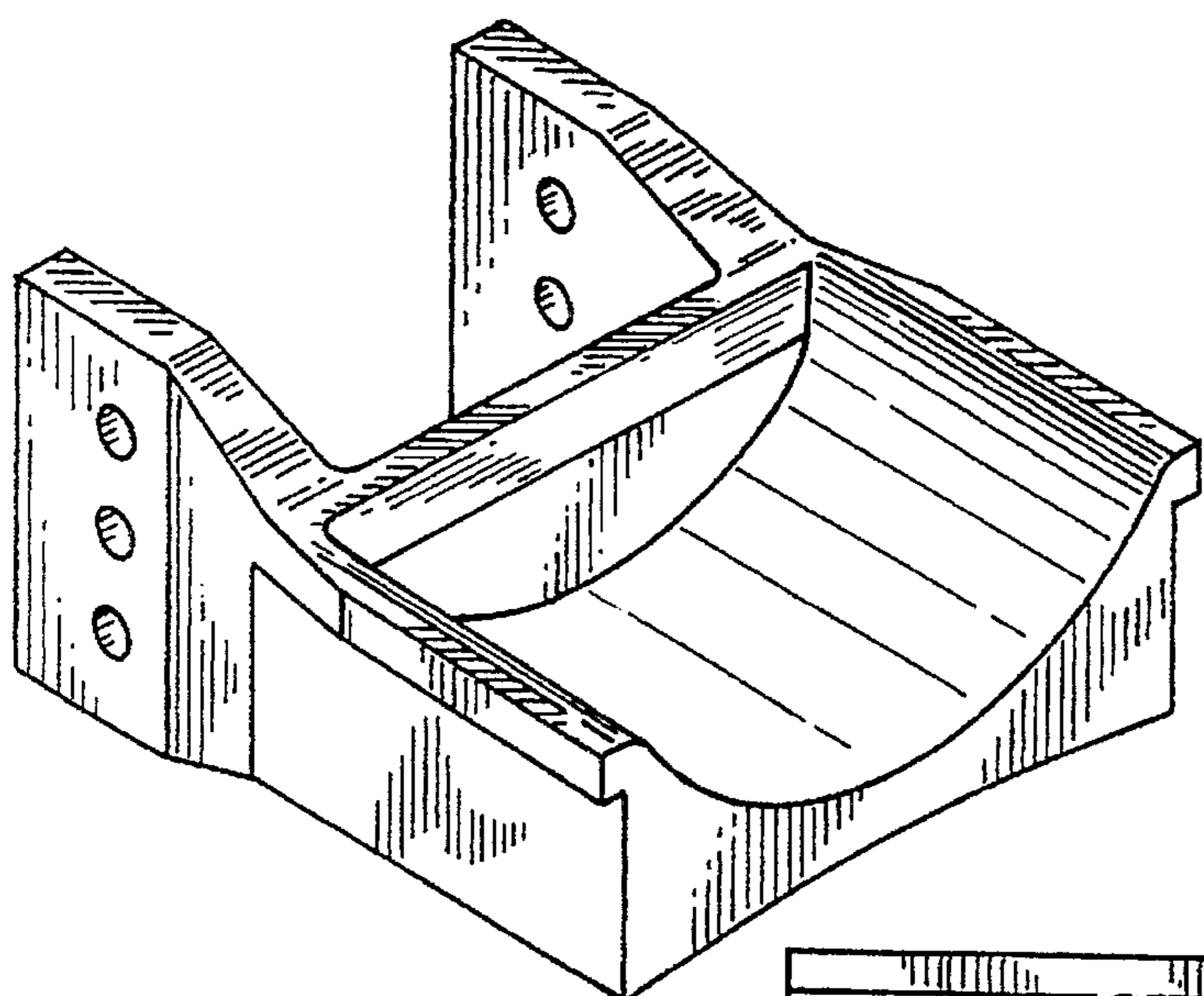


FIG. 7

FIG. 8

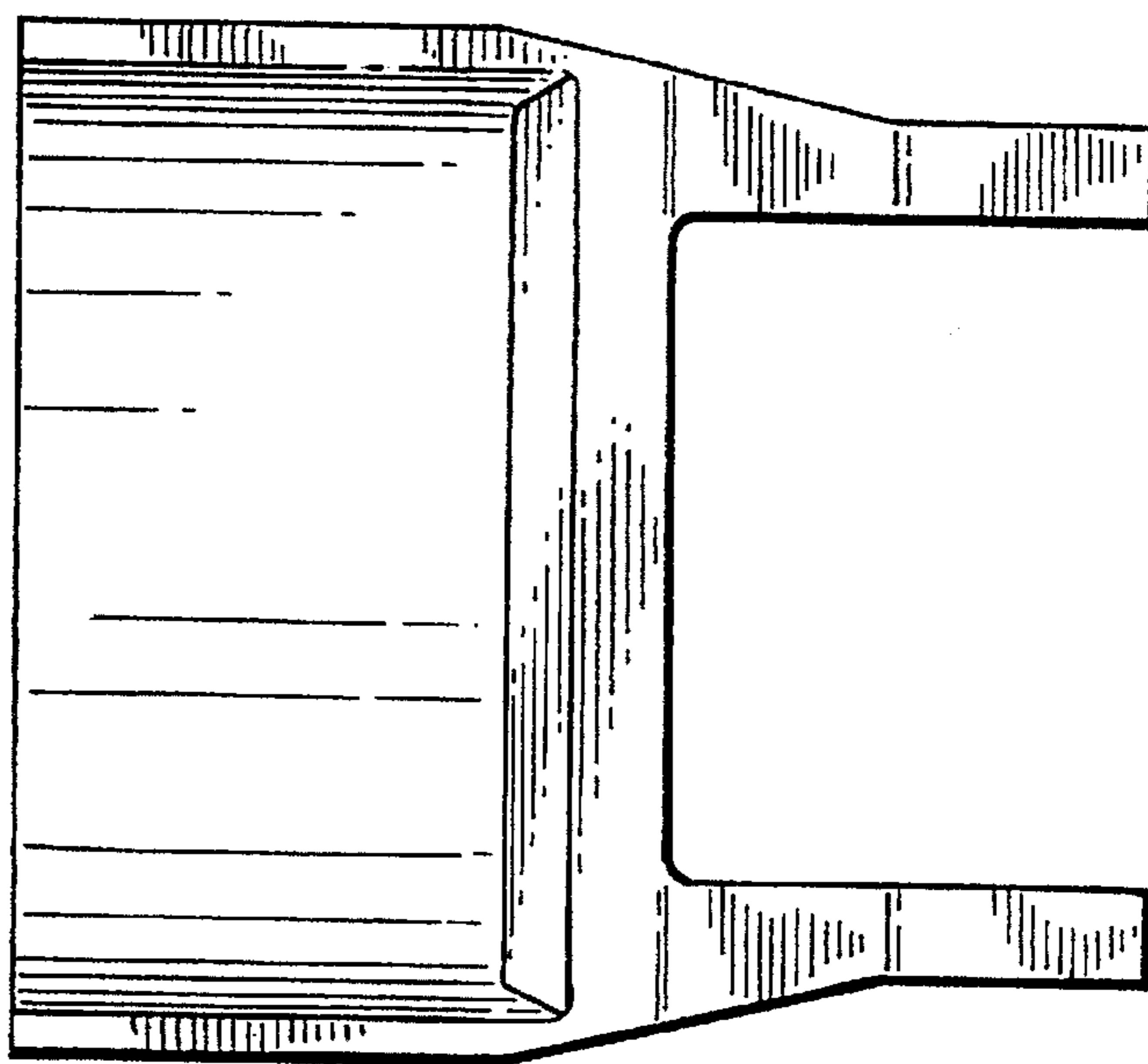
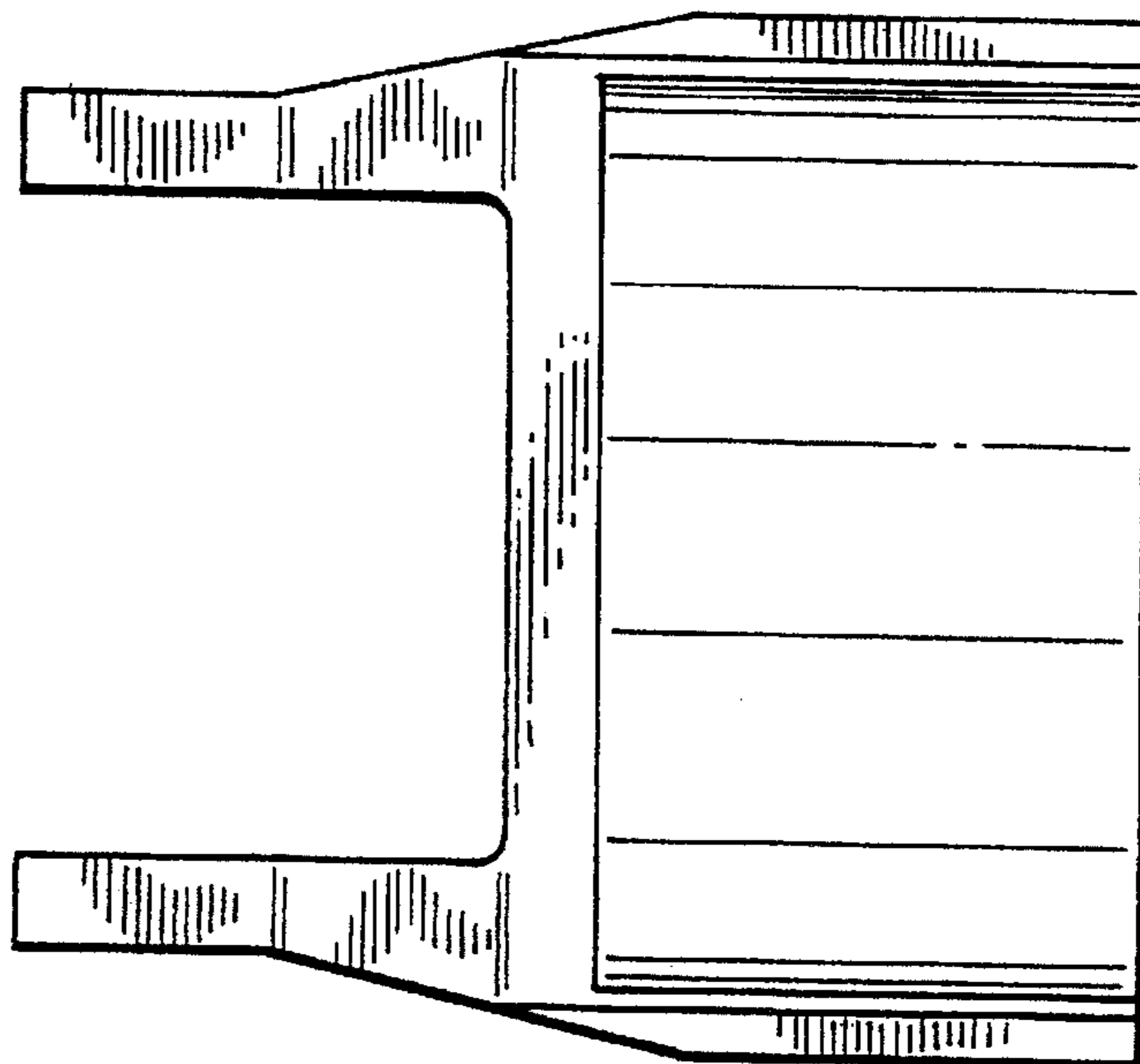


FIG. 9



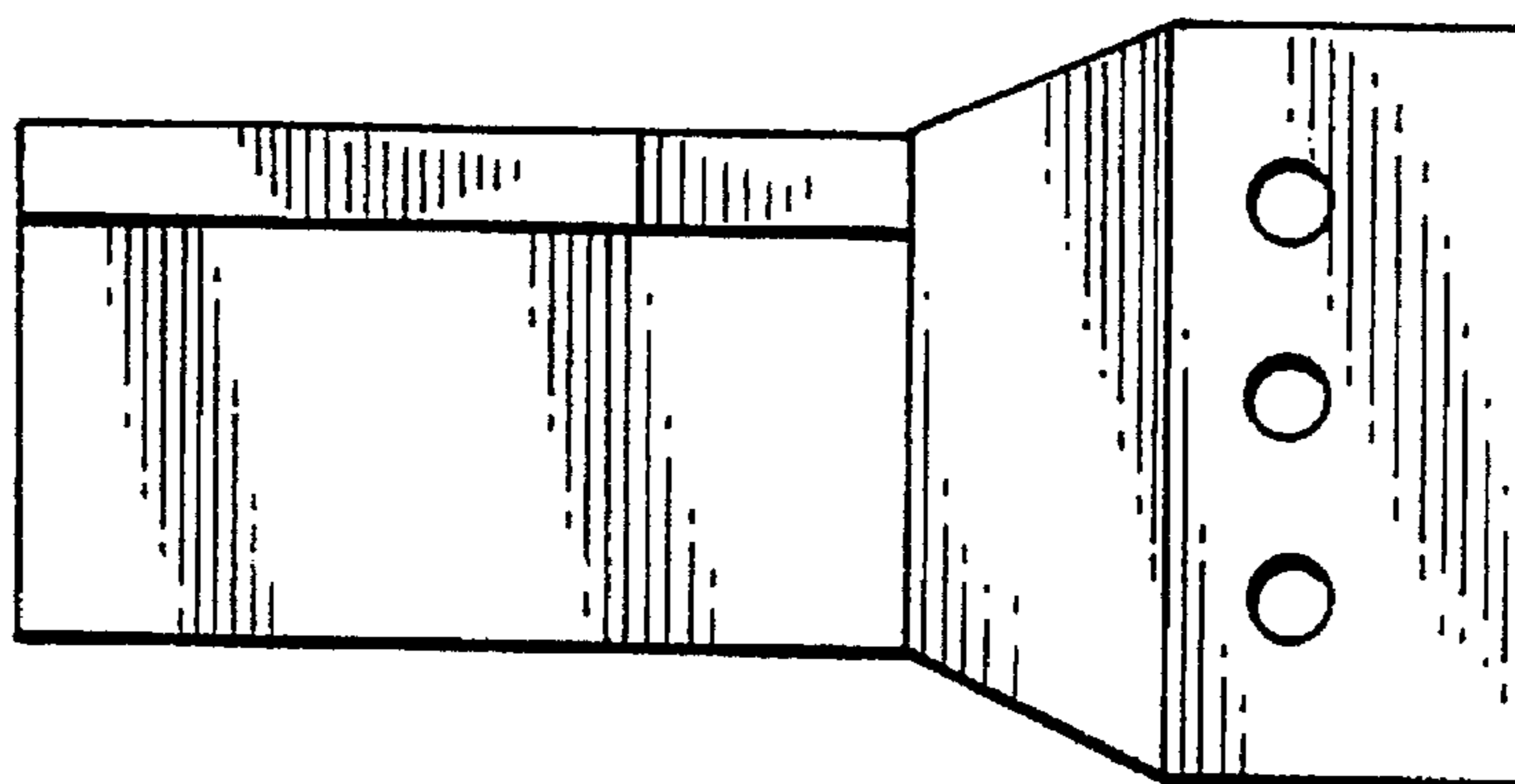


FIG. 10

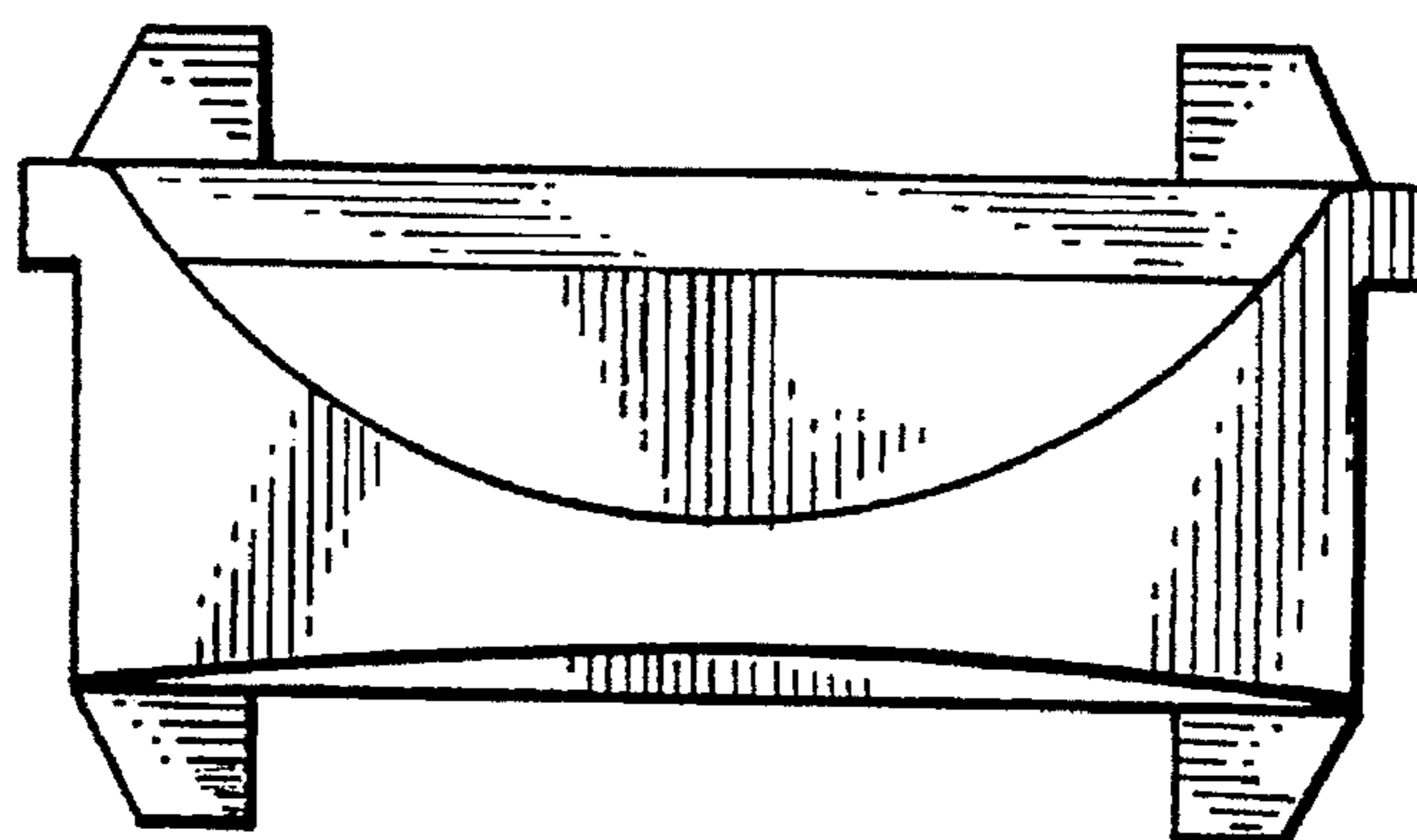


FIG. 11

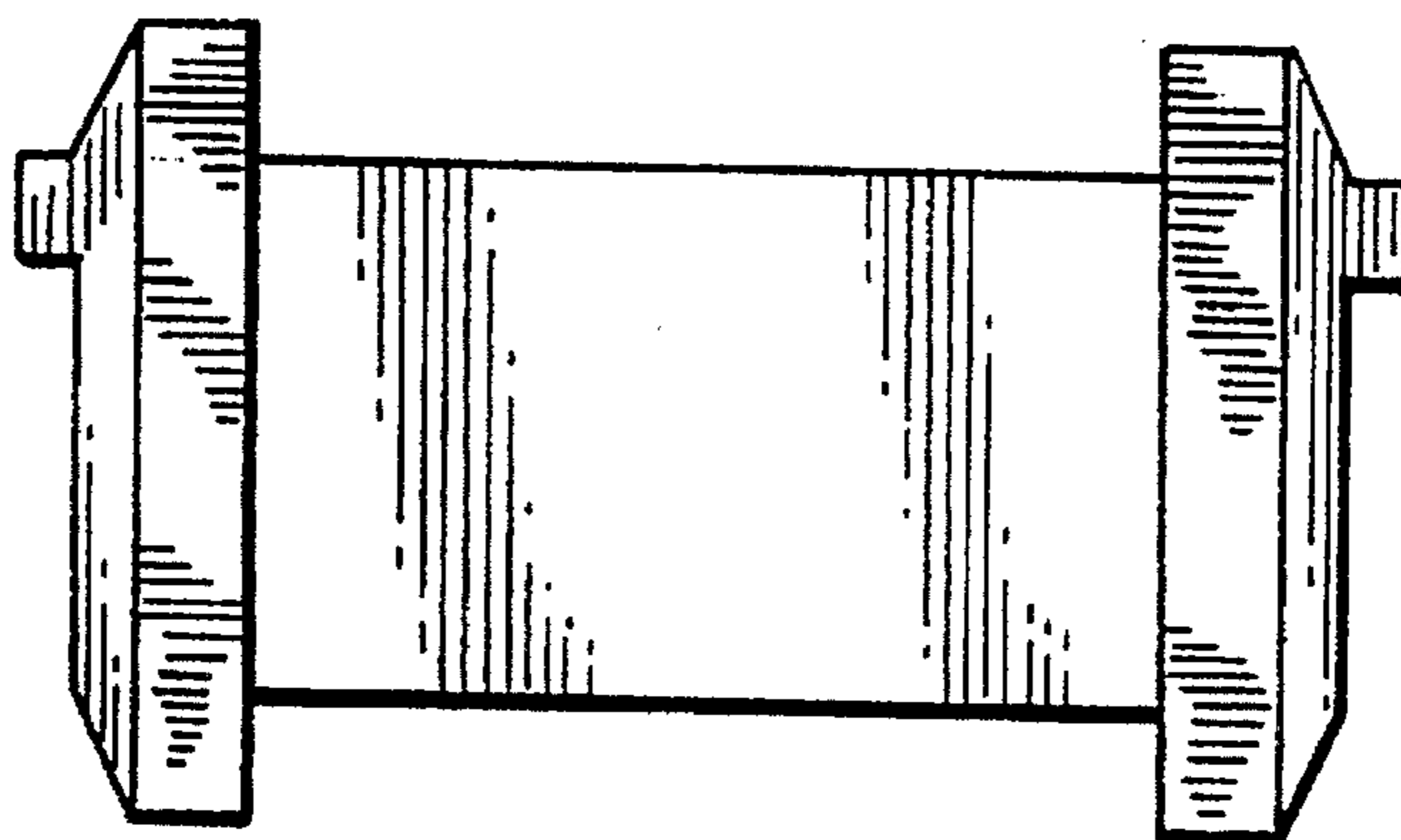


FIG. 12