



US00D380369S

United States Patent [19]

[11] Patent Number: **Des. 380,369**

Antonucci

[45] Date of Patent: ****Jul. 1, 1997**

[54] **FLEXIBLE DRAW LATCH**

4,804,215	2/1989	Bisbing	292/113
4,828,298	5/1989	Bisbing	292/113
4,830,413	5/1989	Bisbing	292/247

[75] Inventor: **Jeffrey L. Antonucci**, King of Prussia, Pa.

OTHER PUBLICATIONS

[73] Assignee: **Southco, Inc.**, Concordville, Pa.

Southco Handbook p. 45 (Southco, Inc.) Concordville, PA 1995, p. H-7, H-30.

[**] Term: **14 Years**

Primary Examiner—Brian N. Vinson
Attorney, Agent, or Firm—Paul & Paul

[21] Appl. No.: **49,128**

[57] CLAIM

[22] Filed: **Jan. 18, 1996**

The ornamental design for a flexible draw latch, as shown and described.

Related U.S. Application Data

DESCRIPTION

[63] Continuation of Ser. No. 517,576, Aug. 21, 1995.

[51] LOC (6) Cl. **08-07**

FIG. 1 is a perspective view of a flexible draw latch embodying my design;

[52] U.S. Cl. **D8/342**

FIG. 2 is a top plan view thereof;

[58] Field of Search D8/330, 331, 338, D8/342; 292/242, 247, 113, DIG. 38, DIG. 49

FIG. 3 is a right side elevational view thereof, the left side being a mirror image of that shown;

FIG. 4 is a front elevational view thereof; and,

FIG. 5 is a rear elevational view thereof.

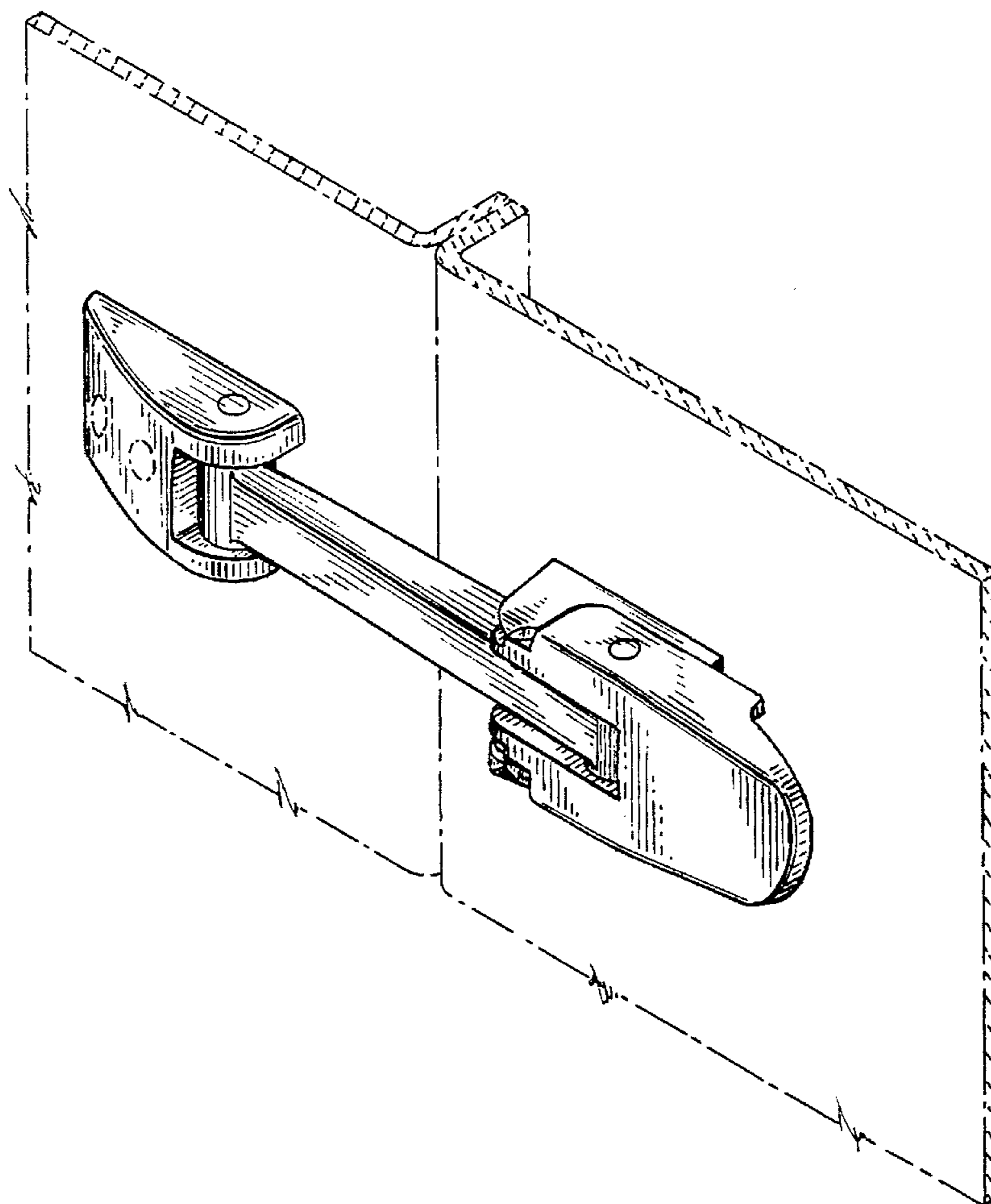
[56] References Cited

U.S. PATENT DOCUMENTS

D. 324,165	2/1992	Bressler et al.	D8/331
D. 333,775	3/1993	Krape	D8/342
3,490,805	1/1970	Di Pierro et al.	292/113 X
4,540,206	9/1985	Frame et al.	292/66

The broken lines showing a panel in which the flexible draw latch is mounted is for illustrative purposes only and forms no part of the claimed design.

1 Claim, 3 Drawing Sheets



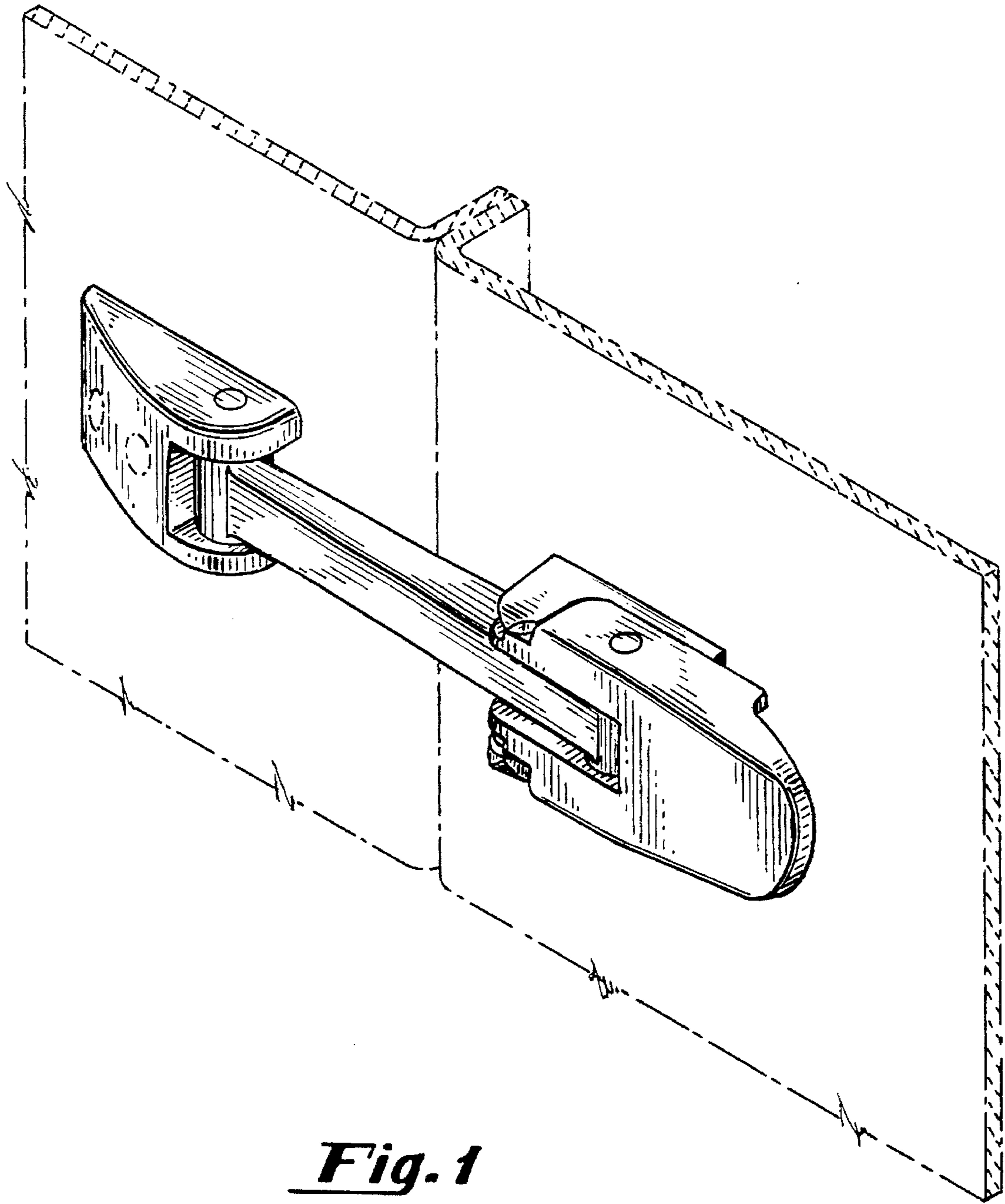


Fig. 1

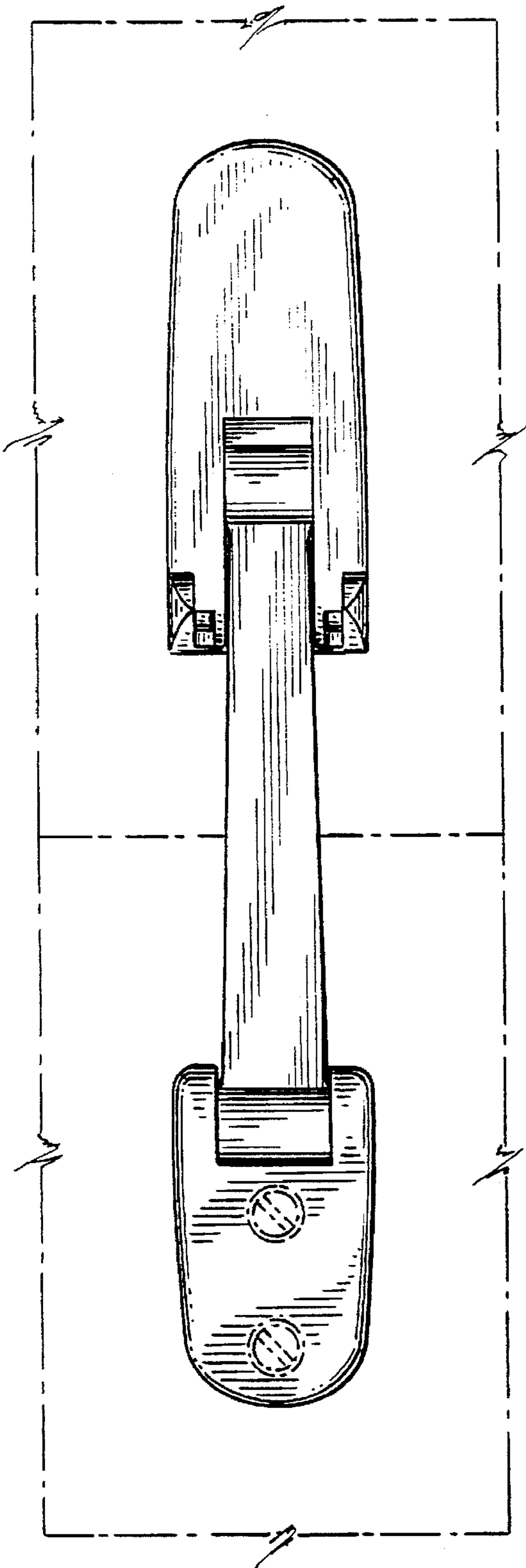


Fig. 2

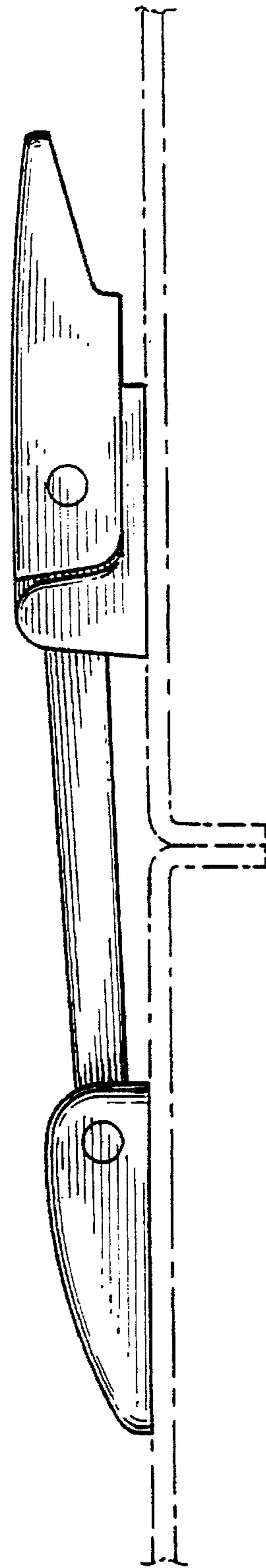


Fig. 3

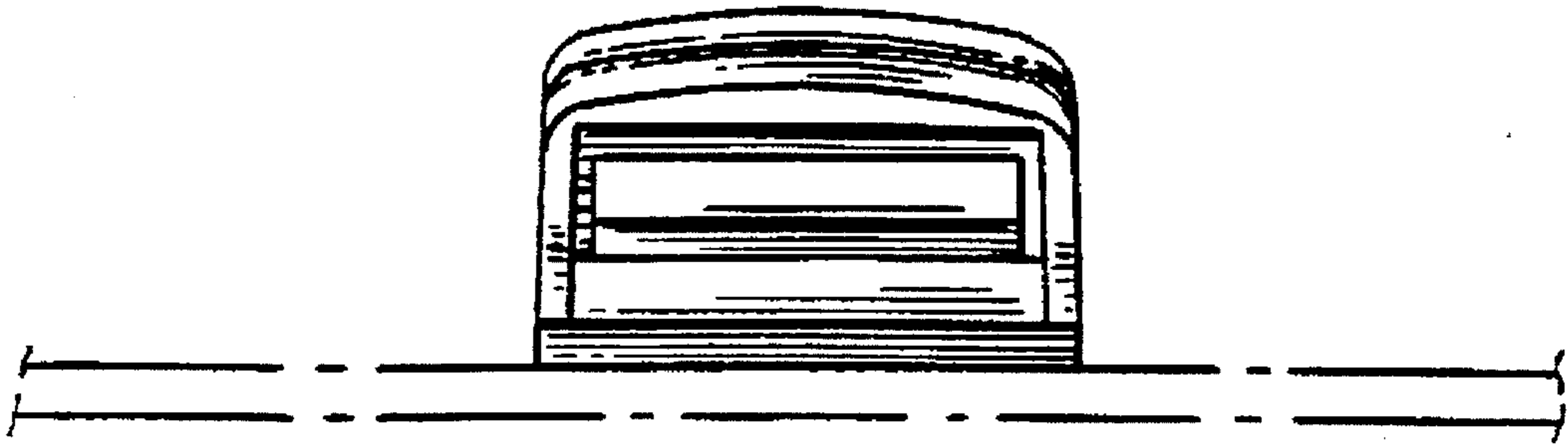


Fig. 4

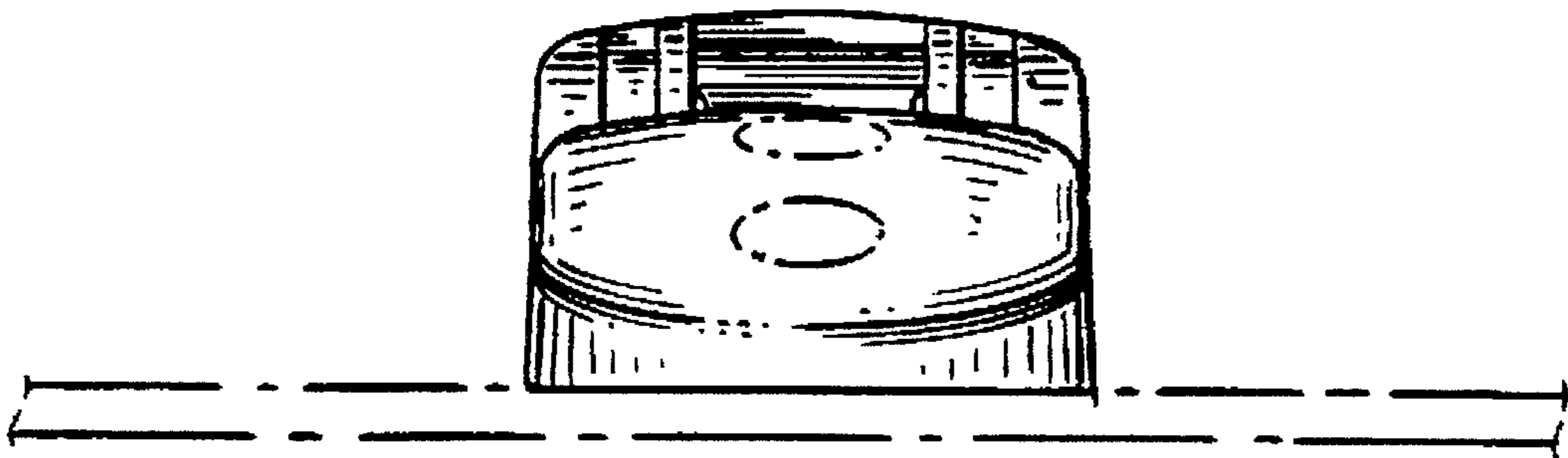


Fig. 5