



US00D380359S

# United States Patent [19]

Meisner et al.

[11] Patent Number: Des. 380,359

[45] Date of Patent: \*\*Jul. 1, 1997

[54] HANDLE FOR VEGETATION CUTTER

[75] Inventors: **Edward Meisner**, Short Hills; **Thomas Van Dyk**, Prospect Park; **Michael Ballone**, New Providence, all of N.J.

[73] Assignee: **Black & Decker Inc.**, Newark, Del.

[\*\*] Term: **14 Years**

4,679,385 7/1987 Carmine .  
 4,733,471 3/1988 Rahe .  
 4,823,464 4/1989 Gorski .  
 4,825,548 5/1989 Driggers .  
 4,987,732 1/1991 Terai et al. .  
 5,027,591 7/1991 Nakamura et al. .  
 5,181,369 1/1993 Everts .  
 5,265,341 11/1993 Kikuchi .

### FOREIGN PATENT DOCUMENTS

0515909 5/1992 European Pat. Off. .

### OTHER PUBLICATIONS

Weed Eater catalog, Mar. 1986, p. 2, electric trimmer handle circled at top right of page.

German publication M 92 05 166.9 Mar. 10, 1993, garden trimmer.

German publication M 94 07 032.6 Jan. 25, 1992, garden trimmer.

German publication M 91 03 881 Jan. 25, 1992.

International Designs Bulletin—Dec. 1992 DM/024 776.

*Primary Examiner*—Holly Baynham

*Attorney, Agent, or Firm*—Charles E. Yocum; Dennis A. Dearing; John D. Del Ponti

[21] Appl. No.: **53,523**

[22] Filed: **Apr. 23, 1996**

### Related U.S. Application Data

[63] Continuation of Ser. No. 40,286, Jun. 14, 1995, abandoned.

[51] LOC (6) Cl. .... **08-01**

[52] U.S. Cl. .... **D8/8**

[58] Field of Search ..... D8/8; 56/12.7; 30/276, 347

### [56] References Cited

#### U.S. PATENT DOCUMENTS

D. 238,998	3/1976	Raffler et al. ....	D8/8
D. 249,630	9/1978	Ballas .....	D8/8
D. 251,699	5/1979	Averitt .....	D8/8
D. 251,961	5/1979	Averitt .....	D8/8
D. 255,764	7/1980	Lombard .....	D8/8
D. 292,980	12/1987	Tomita et al. ....	D8/8
D. 301,009	5/1989	Pilatowicz et al. .	
D. 303,483	9/1989	Takahashi et al. ....	D8/8
D. 307,860	5/1990	Ellis .....	D8/8
D. 317,852	7/1991	Fujiwara et al. ....	D8/8
D. 320,398	10/1991	Clivio .....	D8/8
D. 335,674	5/1993	Hoshino .....	D8/8
D. 336,223	6/1993	Miyamoto et al. ....	D8/8
D. 349,220	8/1994	Griffin .....	D8/8
D. 349,221	8/1994	Griffin .....	D8/8
D. 351,768	10/1994	Griffin .....	D8/8
D. 354,892	1/1995	Griffin .....	D8/8
D. 356,014	3/1995	Griffin .....	D8/8
4,200,978	5/1980	Irelan et al. .	
4,285,128	8/1981	Schnell et al. .	
4,338,719	7/1982	Burkholder .	
4,501,332	2/1985	Straayer .	
4,578,863	4/1986	Laverick .	

### [57] CLAIM

The ornamental design for a handle for vegetation cutter, as shown in the drawings.

### DESCRIPTION

FIG. 1 is a right side perspective view of a preferred embodiment of a handle for a vegetation cutter in accordance with the present invention;

FIG. 2 is a bottom view of the handle of FIG. 1;

FIG. 3 is a top view of the handle of FIG. 1;

FIG. 4 is a rear view of the handle of FIG. 1;

FIG. 5 is a front view of the handle shown in FIG. 1;

FIG. 6 is a right side view of the handle shown in FIG. 1;

FIG. 7 is a left side view of the handle of FIG. 1;

FIG. 8 is a perspective view of the right side of a handle for a vegetation cutter in accordance with an alternative preferred embodiment of the present invention;

FIG. 9 is a bottom view of the handle of FIG. 8;

FIG. 10 is a top view of the handle of FIG. 8;

FIG. 11 is a rear view of the handle of FIG. 8;

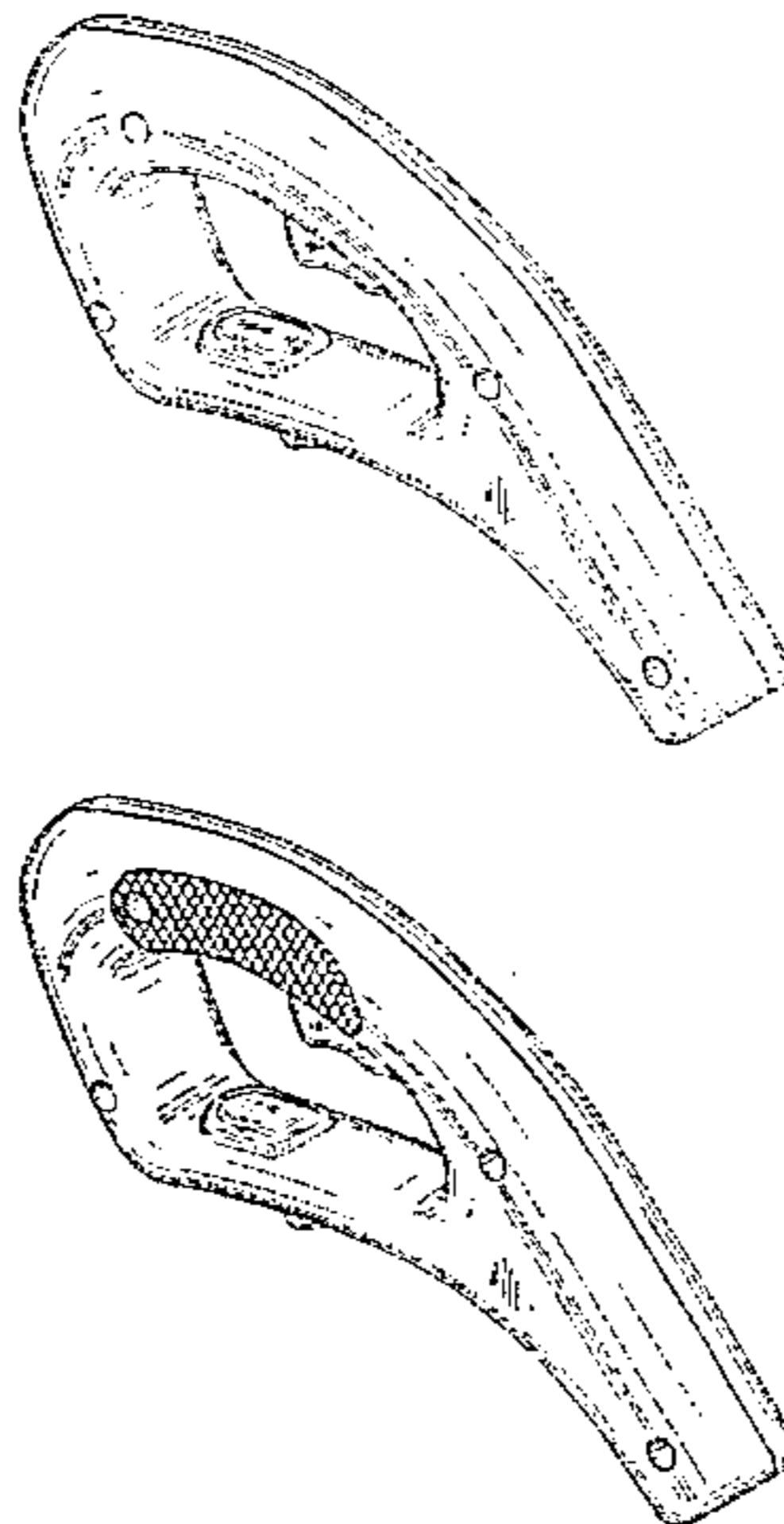


FIG. 12 is a front view of the handle of FIG. 8;  
FIG. 13 is a right view of the handle of FIG. 8; and,  
FIG. 14 is a left view of the handle of FIG. 8.

**1 Claim, 8 Drawing Sheets**

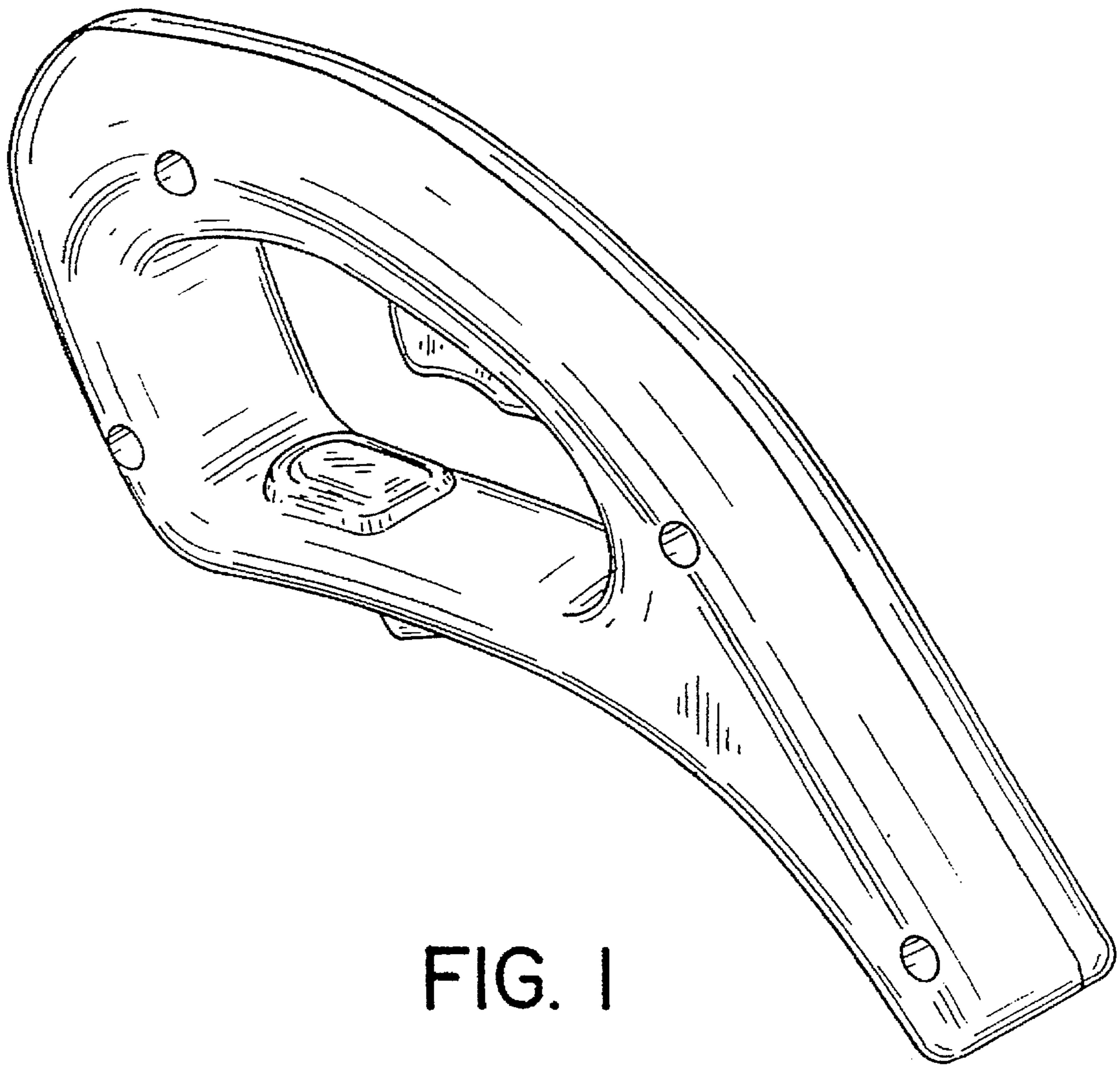


FIG. 1

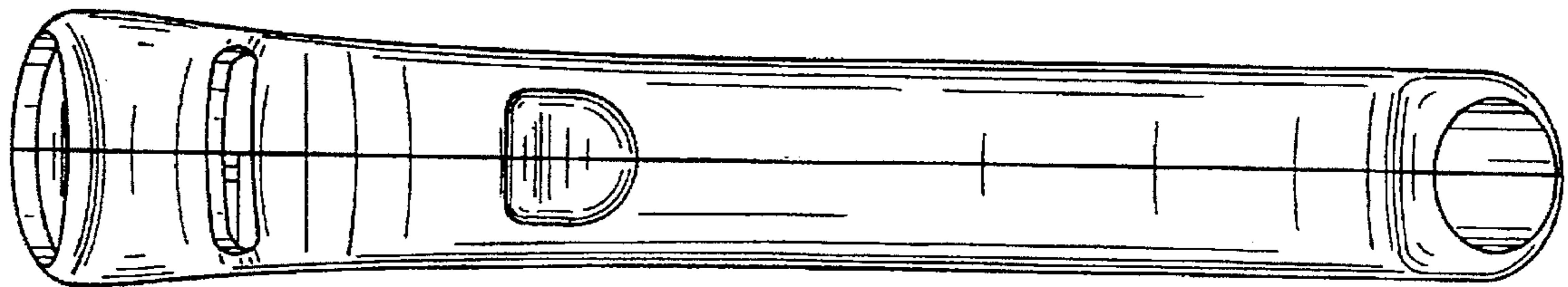


FIG. 2

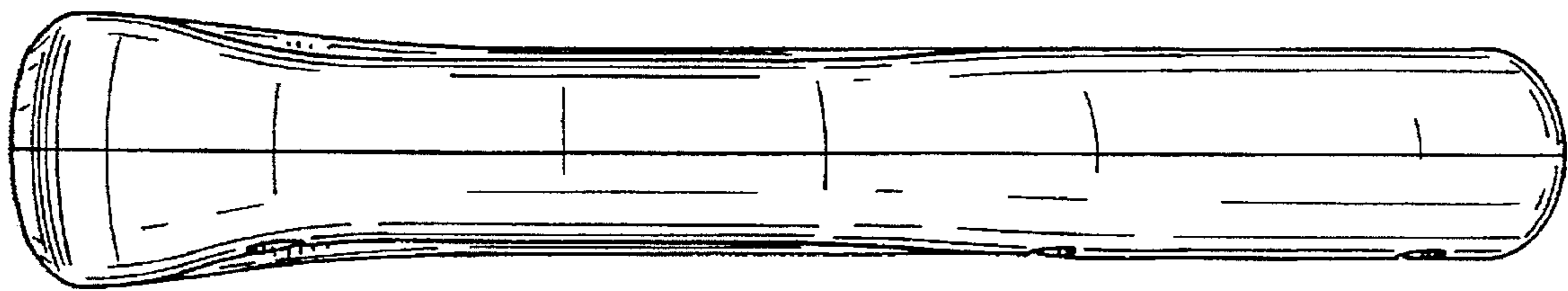


FIG. 3

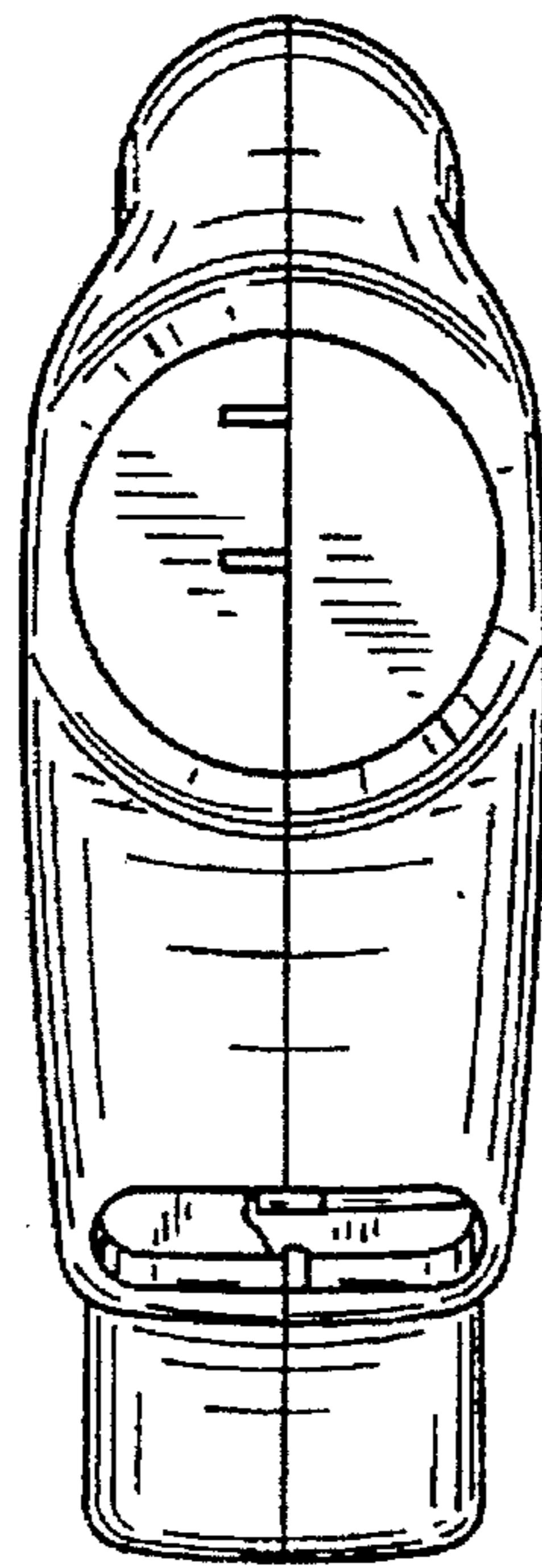


FIG. 4

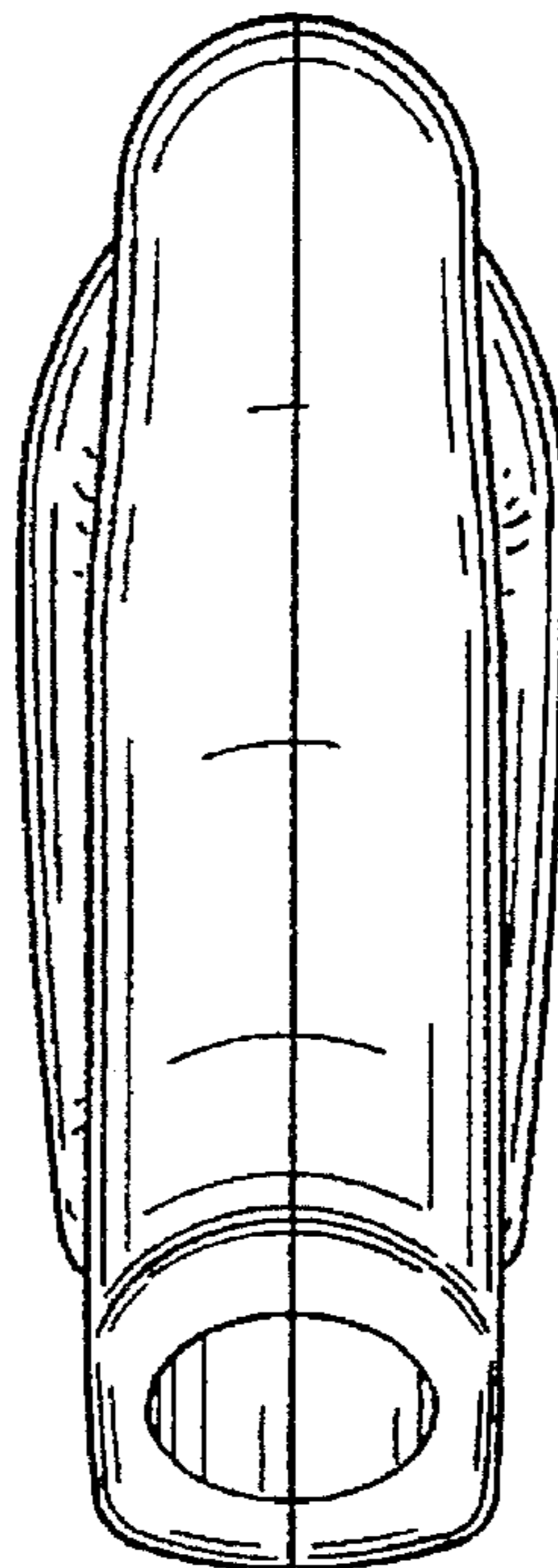


FIG. 5

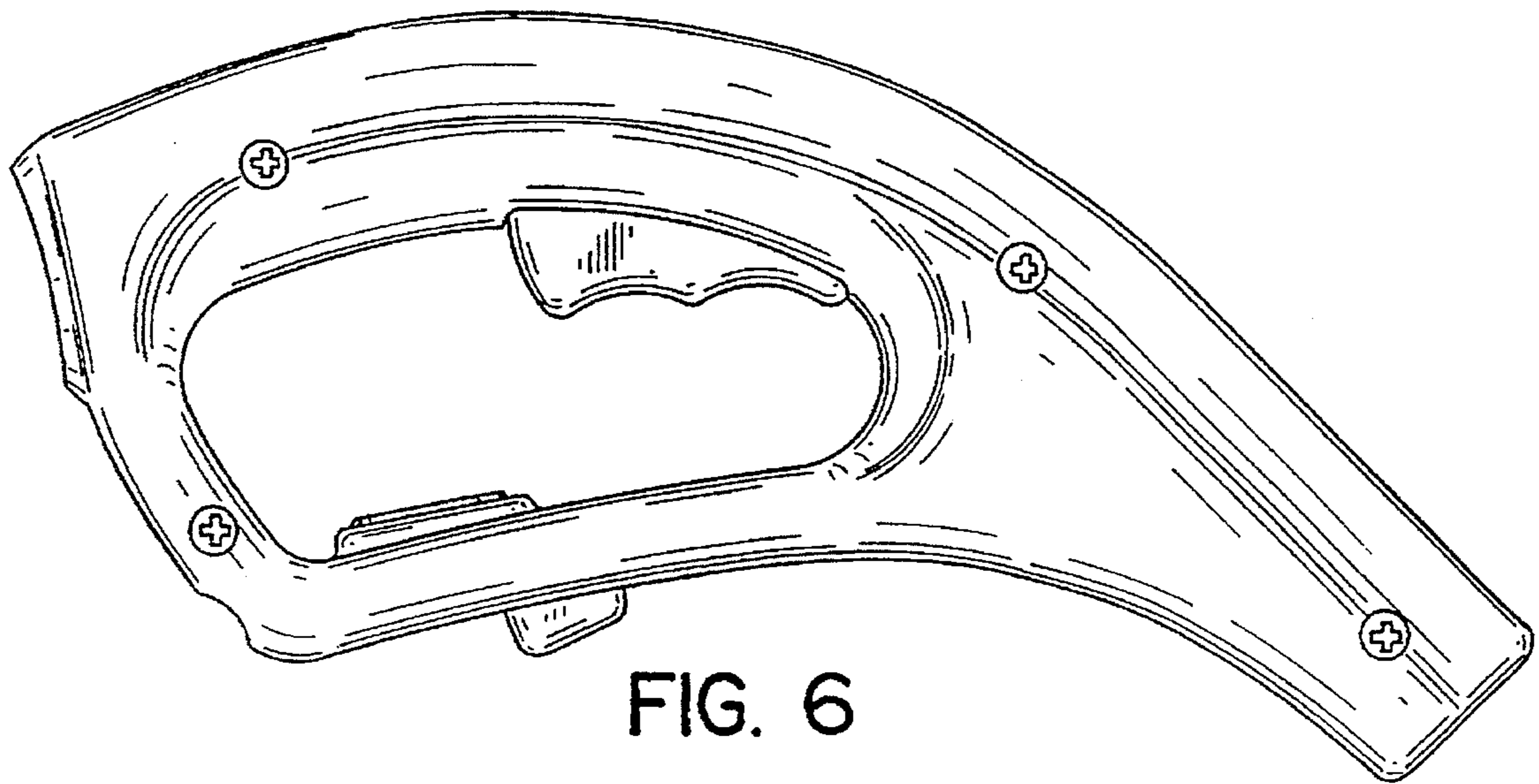


FIG. 6

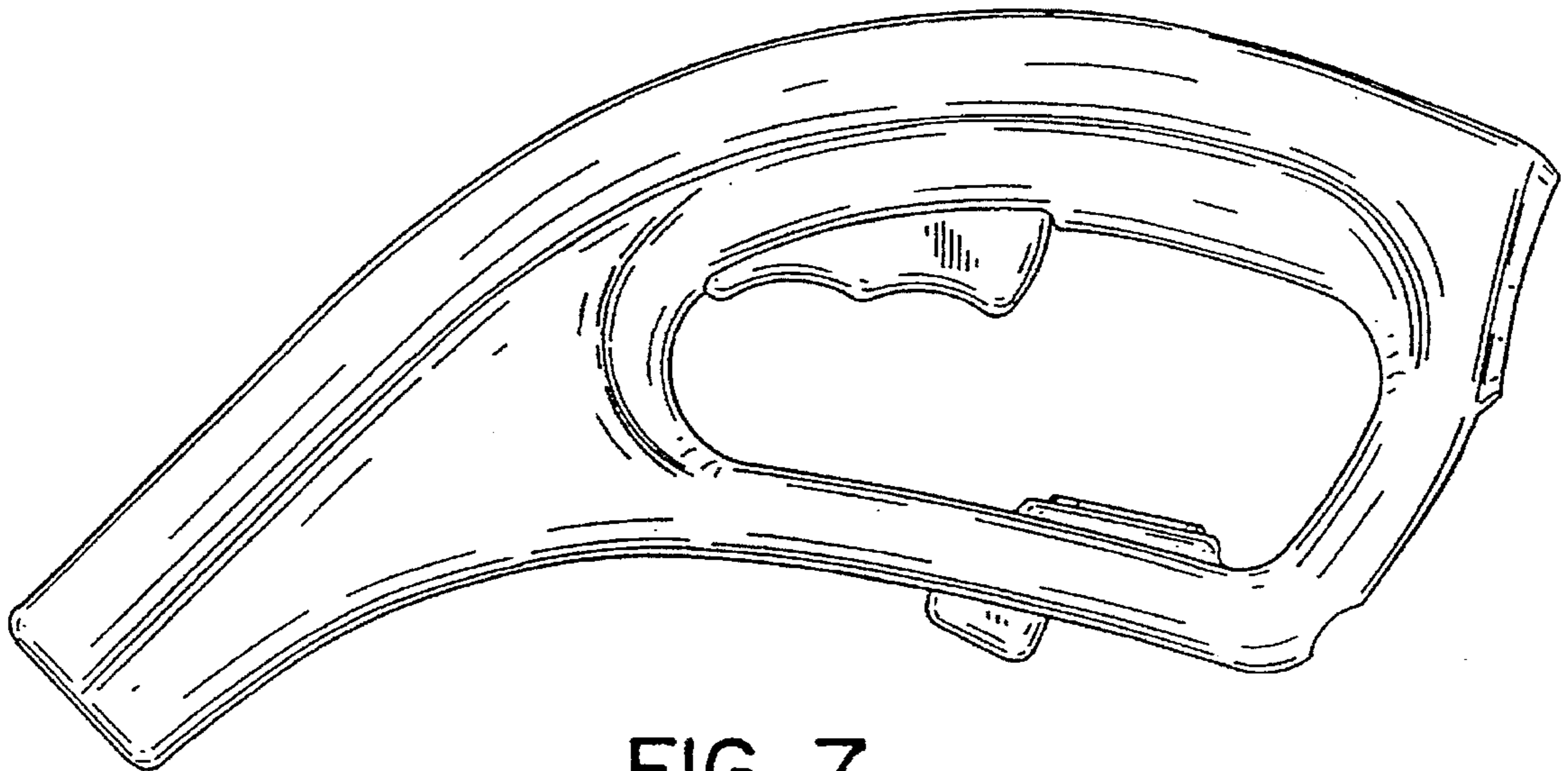


FIG. 7

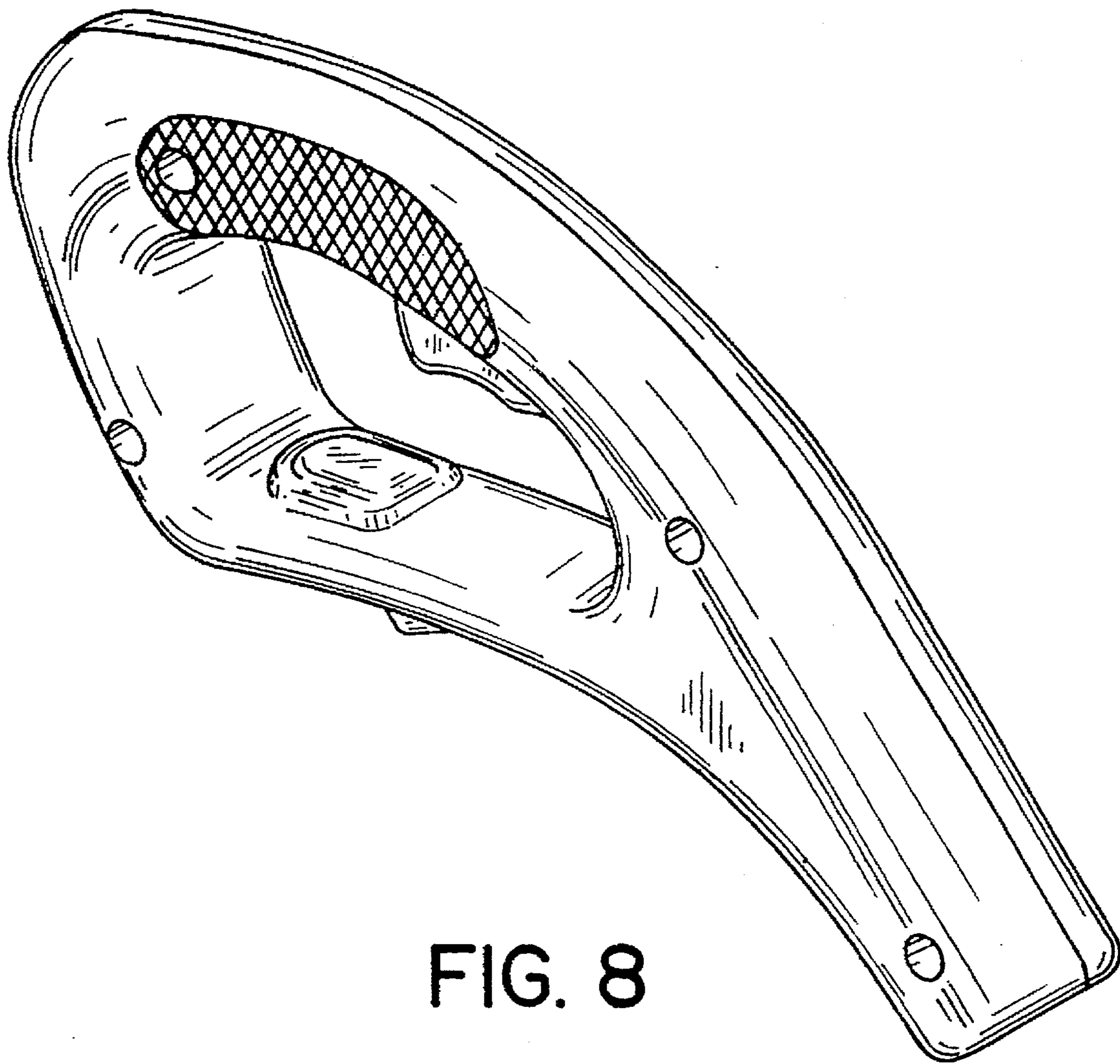


FIG. 8

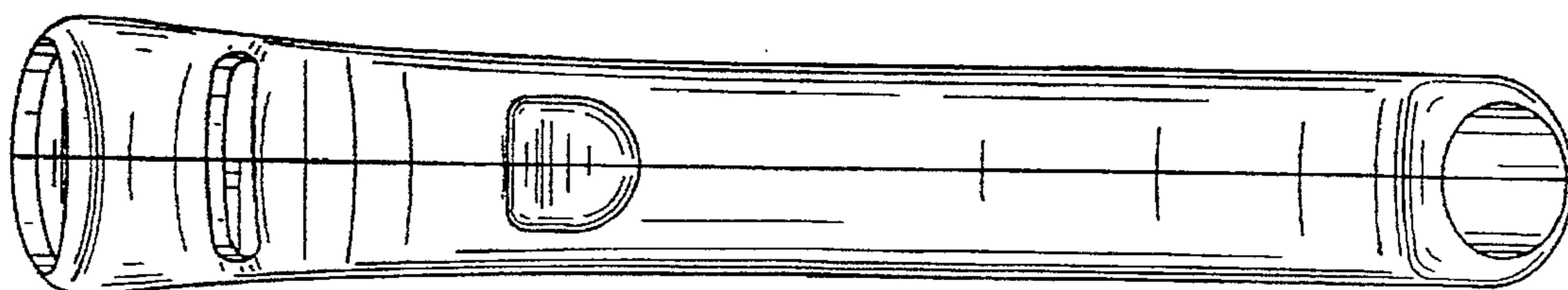


FIG. 9

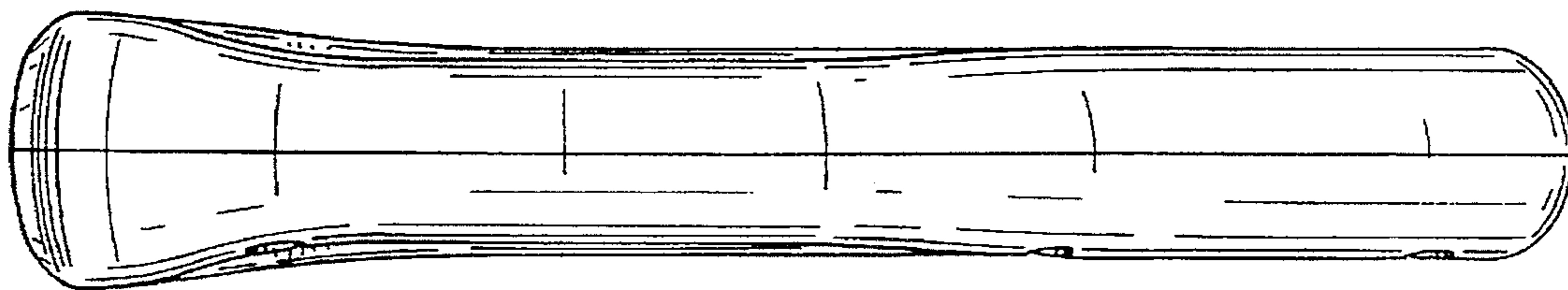


FIG. 10



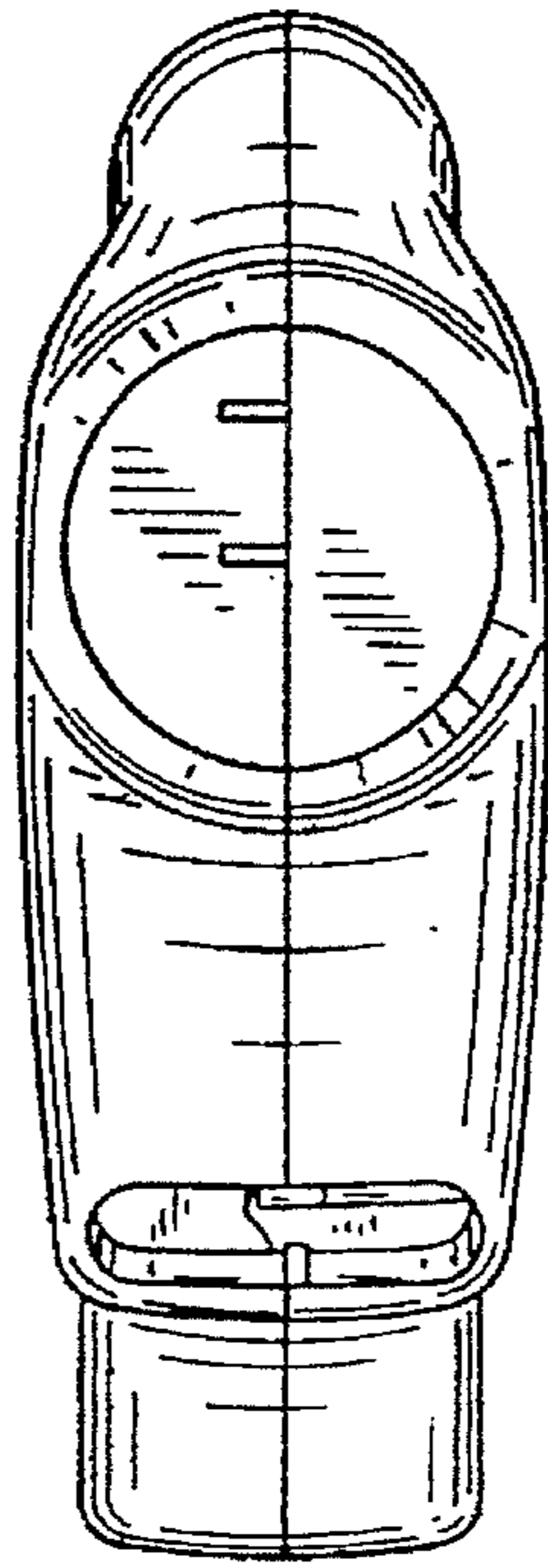


FIG. 11

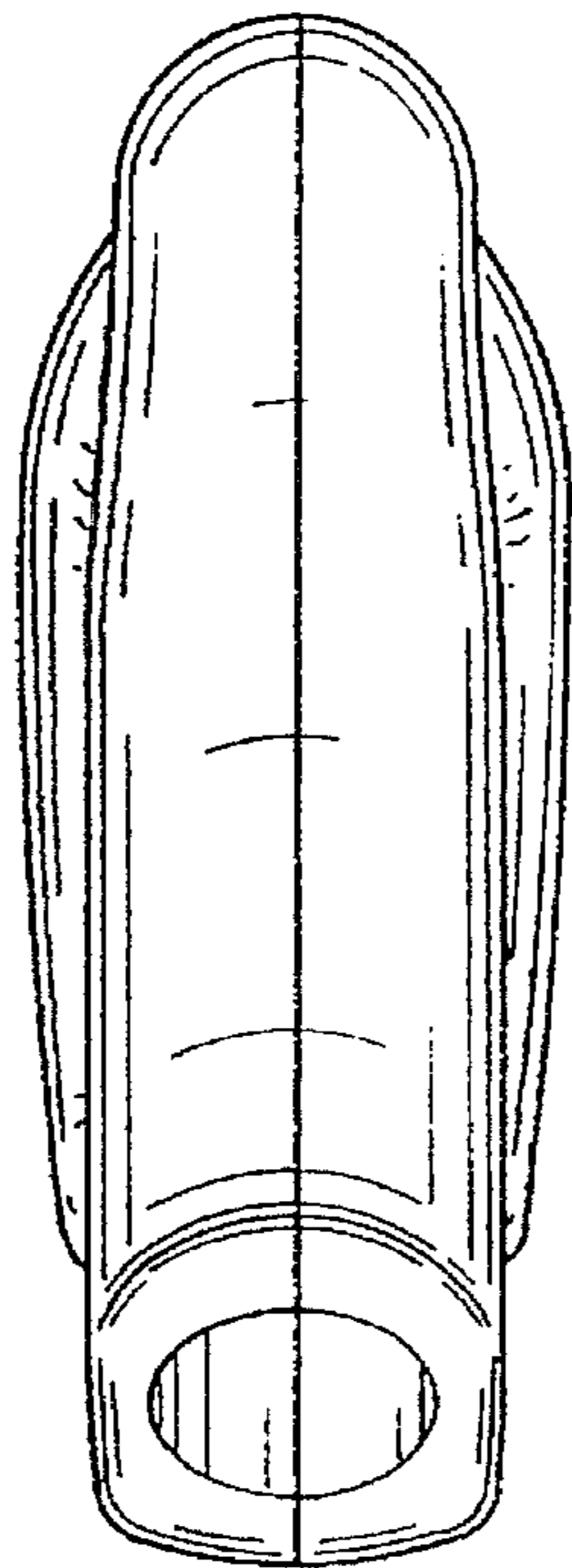


FIG. 12

