



US00D380357S

United States Patent [19]
Kibbe

[11] **Patent Number:** **Des. 380,357**

[45] **Date of Patent:** ****Jul. 1, 1997**

[54] **ADJUSTABLE SPICE RACK**
[75] **Inventor:** **Marcus W. Kibbe, San Marcos, Calif.**
[73] **Assignee:** **Dudley Kibow, Inc., Oceanside, Calif.**
[**] **Term:** **14 Years**
[21] **Appl. No.:** **56,572.**
[22] **Filed:** **Jul. 2, 1996**
[51] **LOC (6) Cl.** **07-06**
[52] **U.S. Cl.** **D7/701**
[58] **Field of Search** **D7/701-708; D6/429,**
D6/467, 476; 211/71, 74, 85, 128, 134,
13

3,464,567 9/1969 Gowdy et al. 211/74

Primary Examiner—Terry A. Wallace
Attorney, Agent, or Firm—Kinney & Lange, P.A.

[57] **CLAIM**

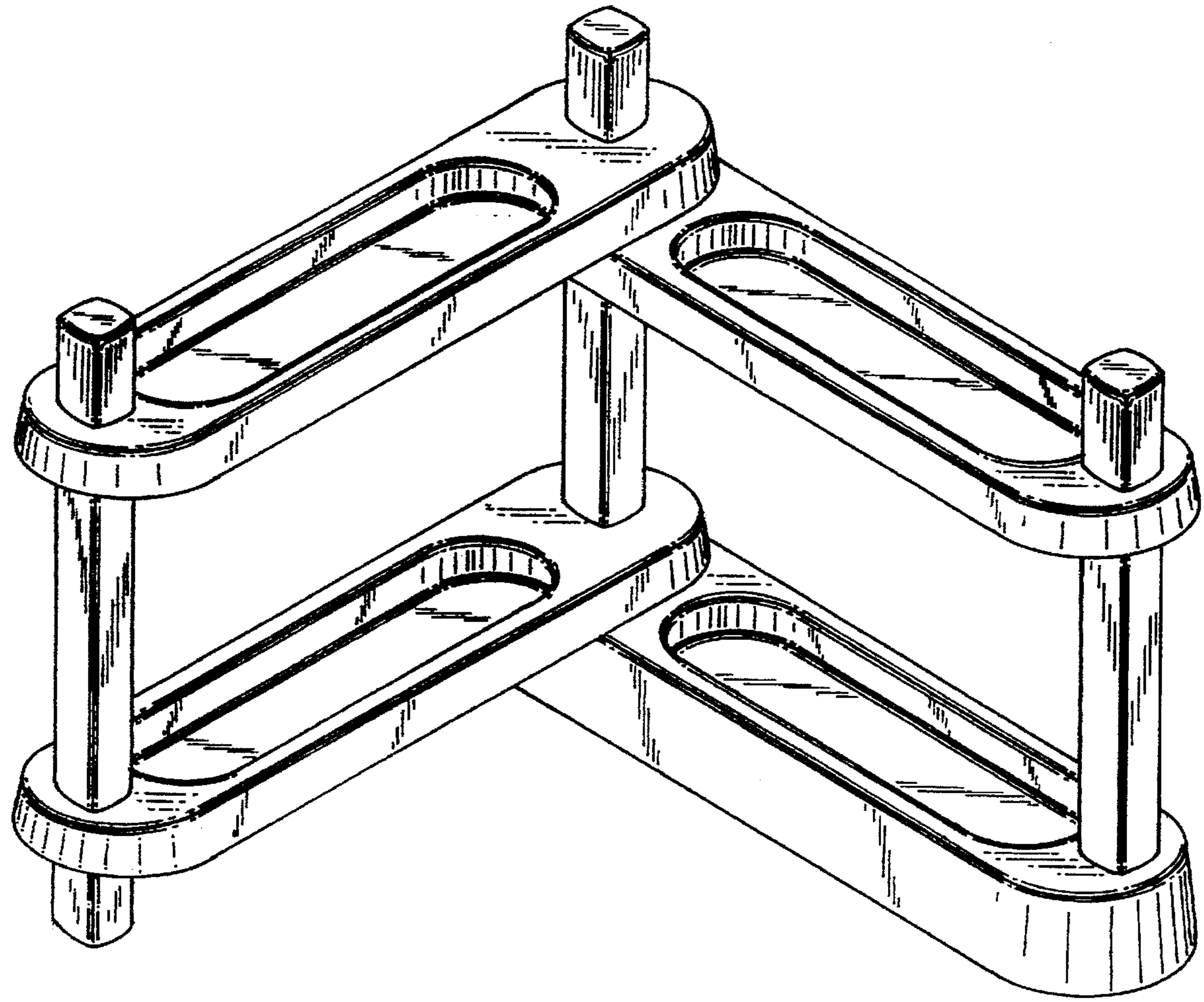
The ornamental design for an adjustable spice rack, as shown and described.

DESCRIPTION

FIG. 1 is a perspective view of an adjustable spice rack showing my new design;
FIG. 2 is a top plan view thereof;
FIG. 3 is a front elevation view thereof;
FIG. 4 is a left side elevation view thereof;
FIG. 5 is a right side elevation view thereof;
FIG. 6 is a rear elevation view thereof;
FIG. 7 is a bottom plan view thereof; and,
FIG. 8 is a perspective view thereof in an alternate position.

[56] **References Cited**
U.S. PATENT DOCUMENTS
3,186,556 6/1965 Forsström 211/74

1 Claim, 5 Drawing Sheets



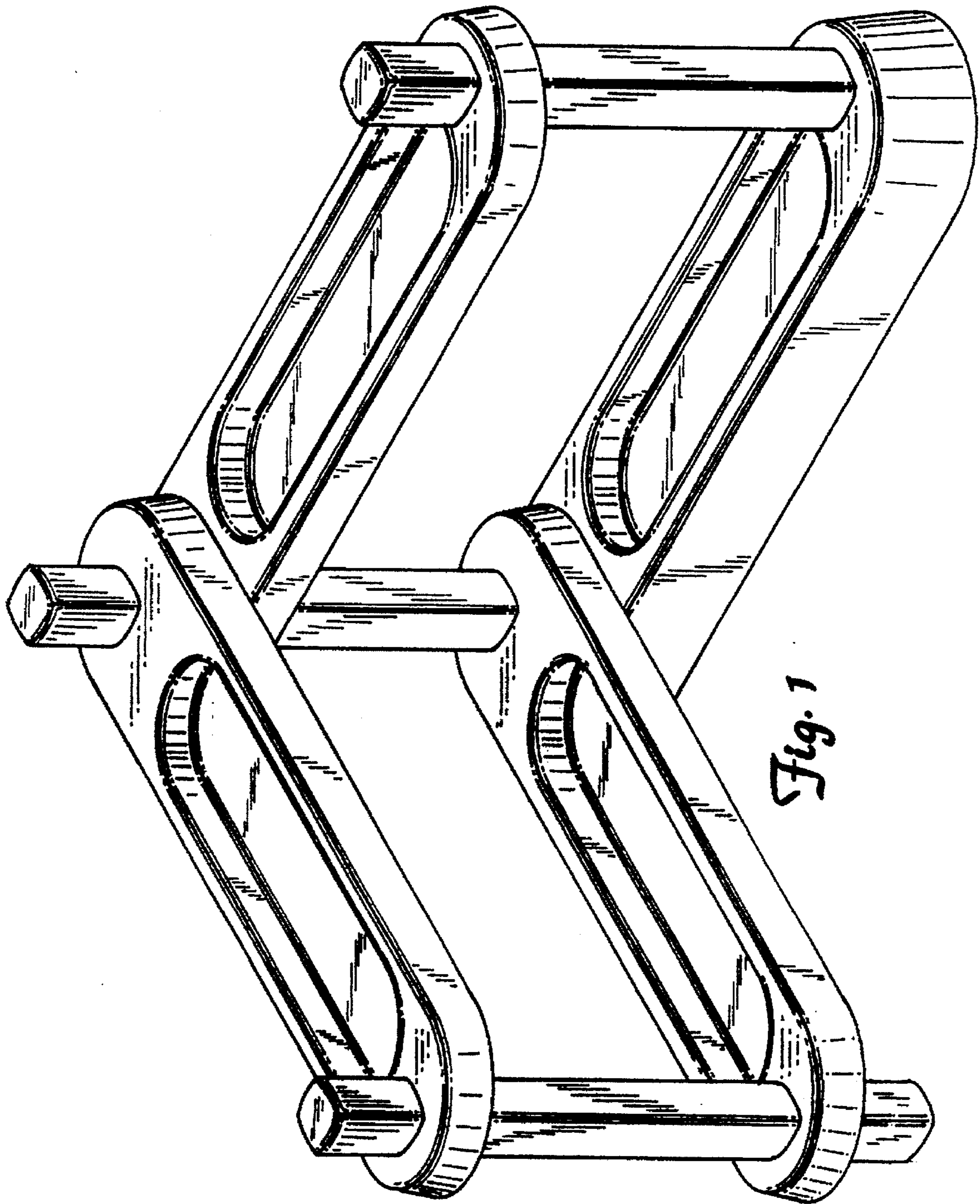


Fig. 1

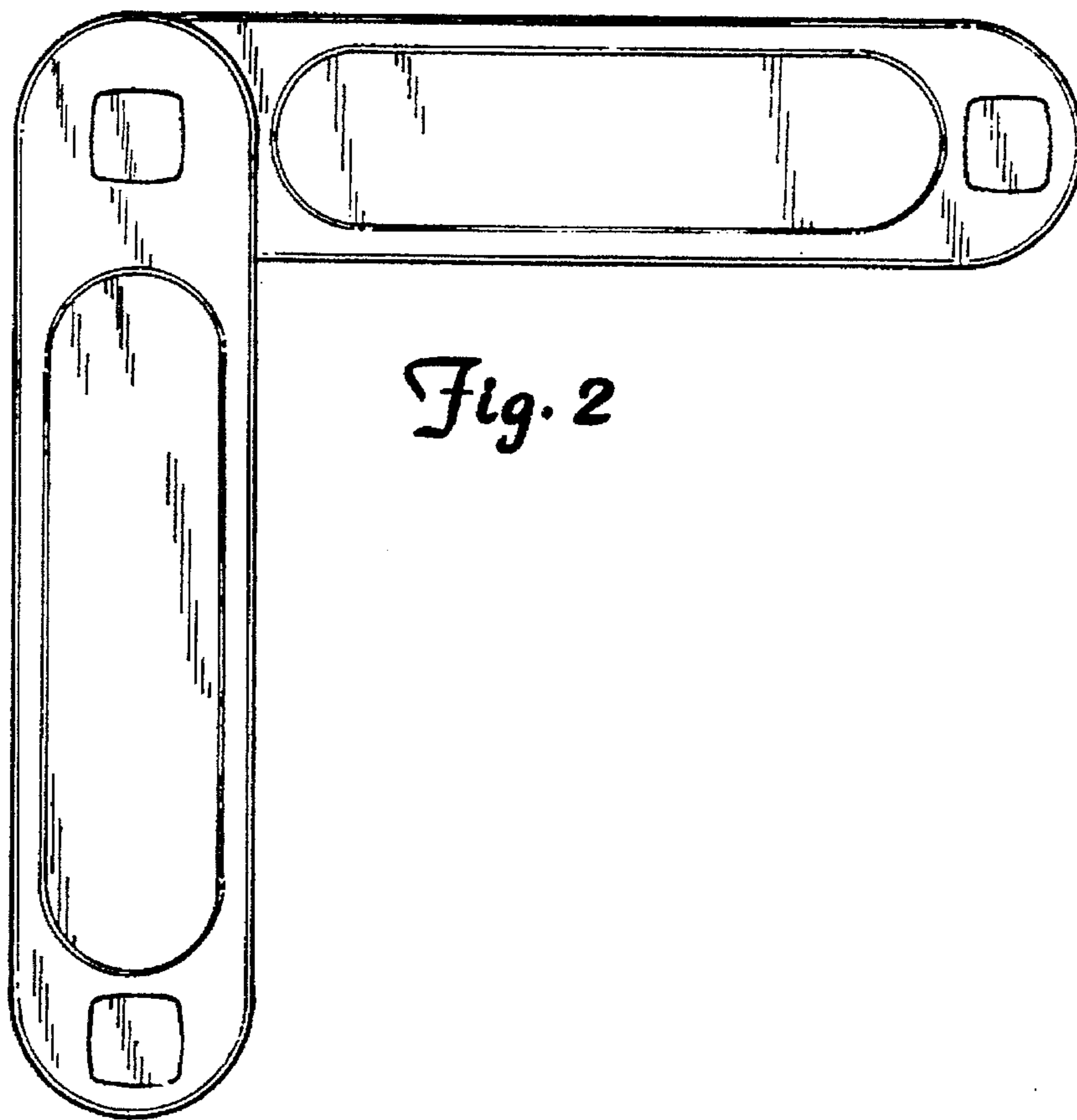


Fig. 2

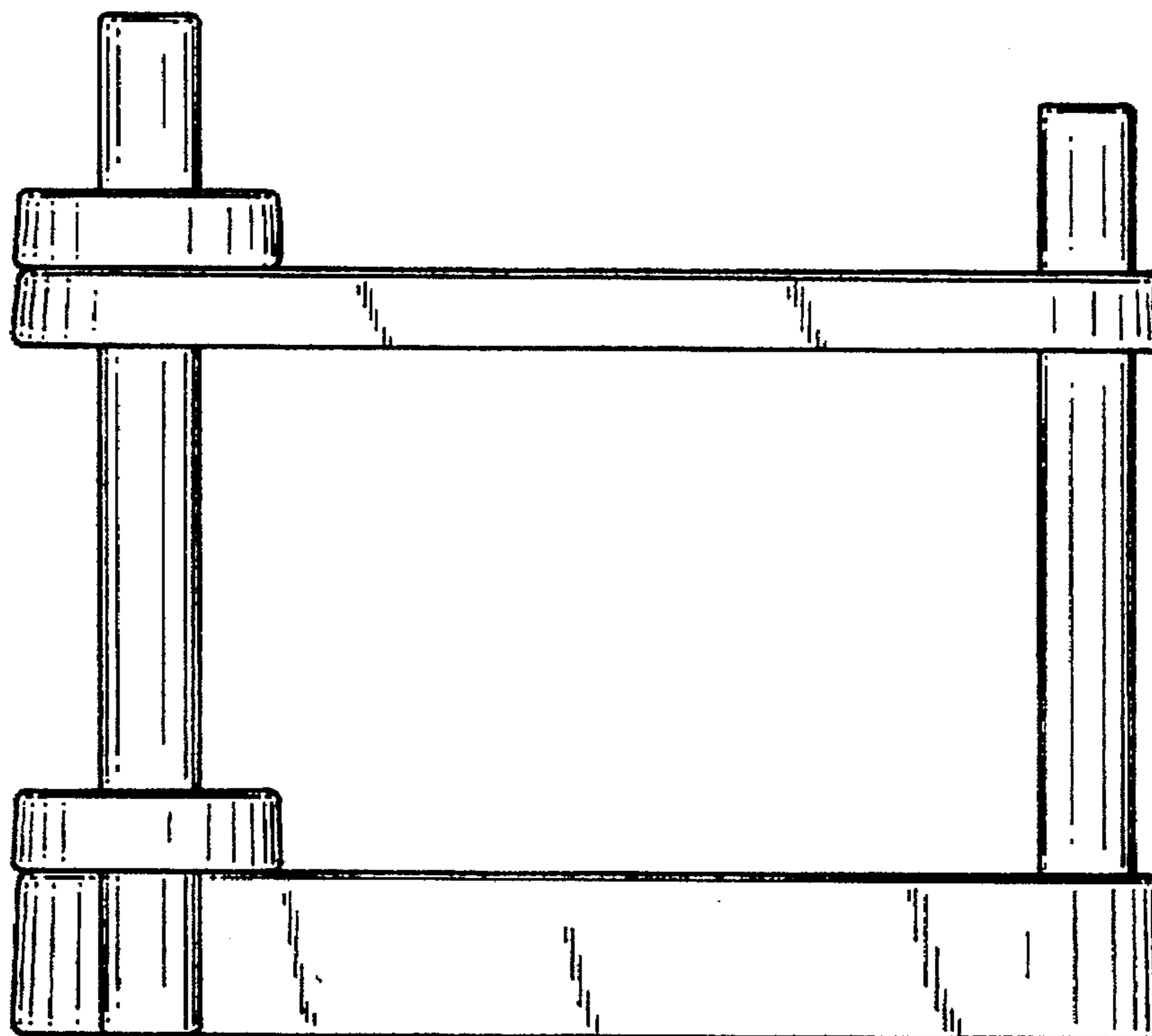


Fig. 3

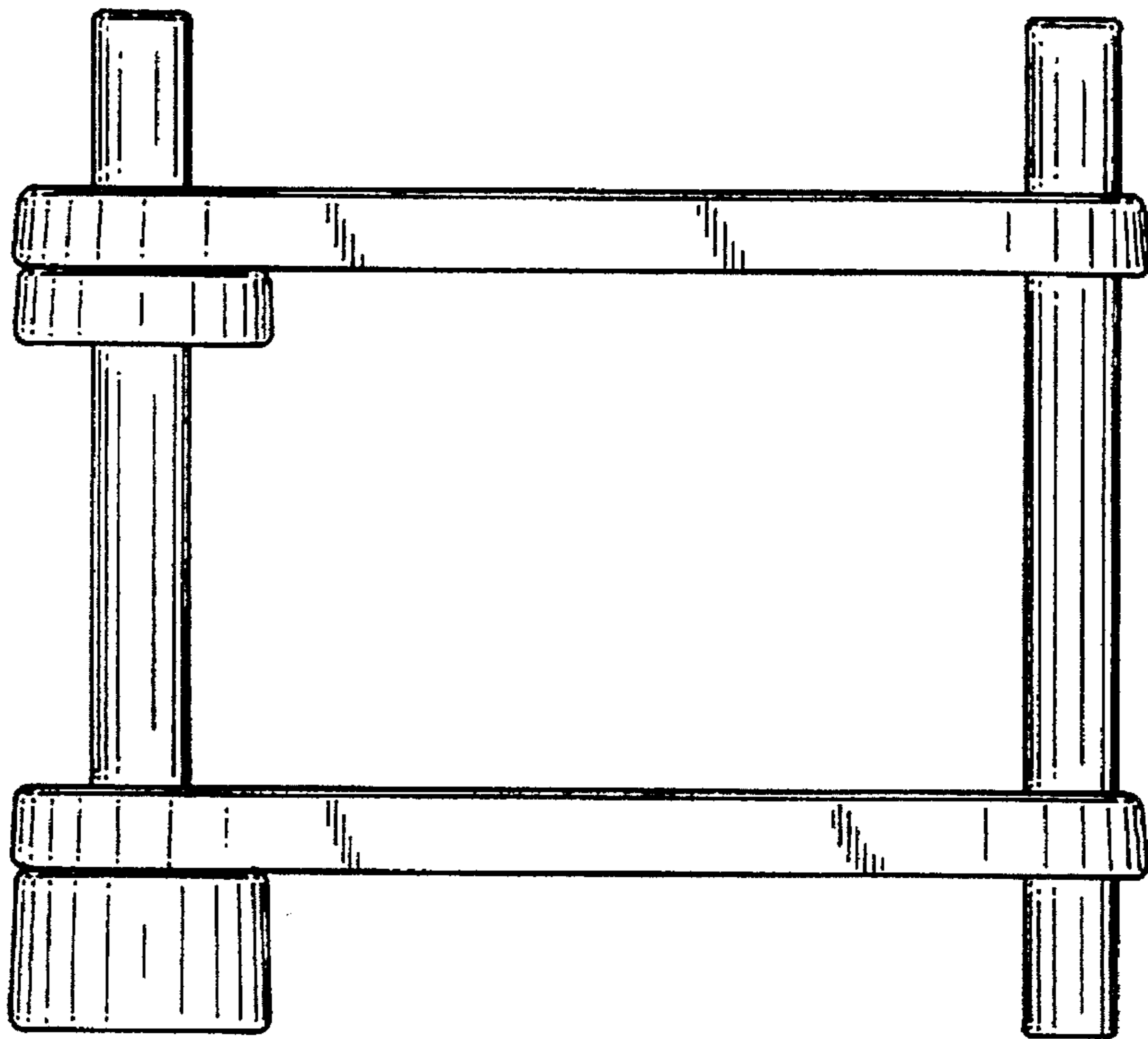


Fig. 4

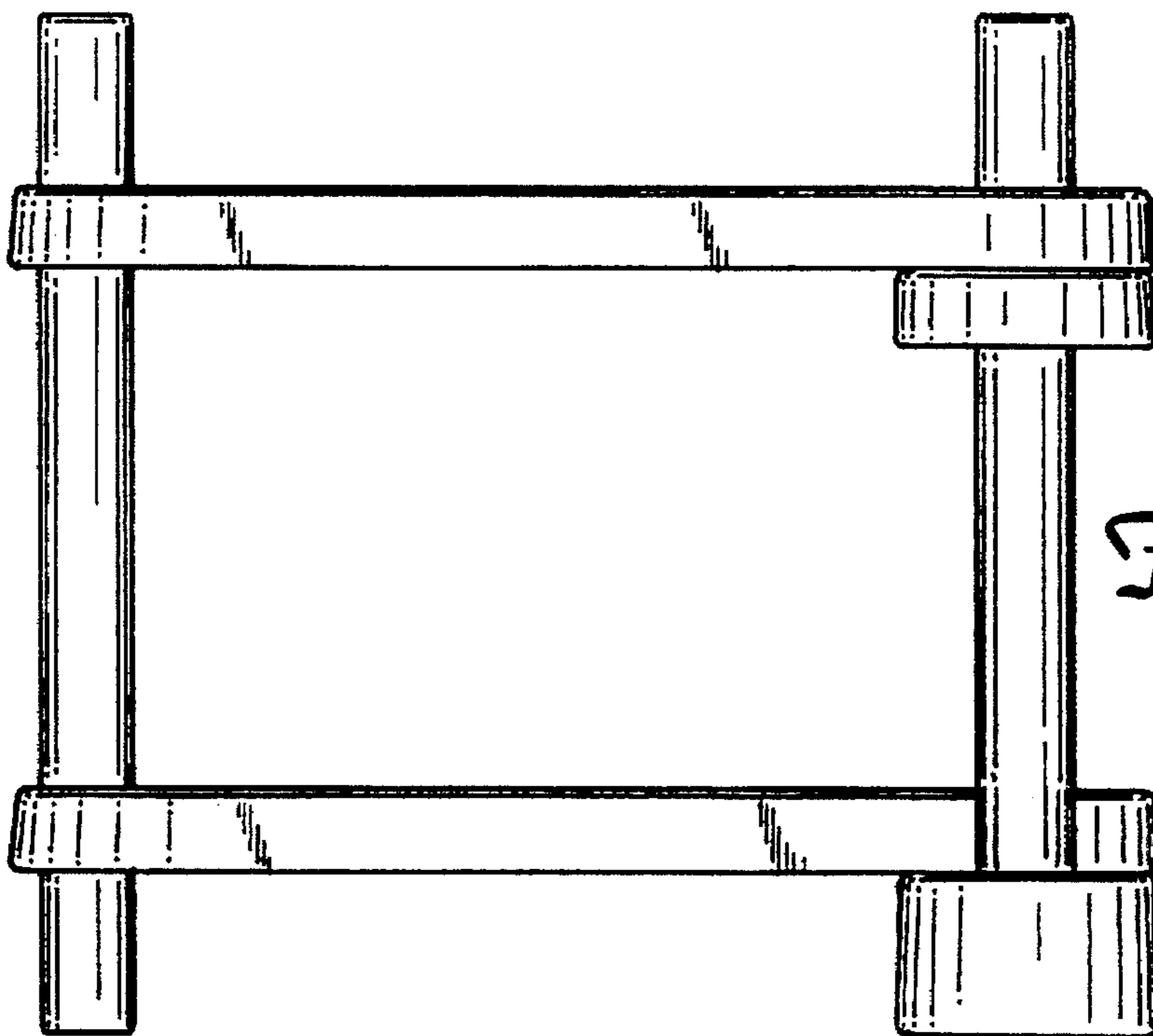


Fig. 5

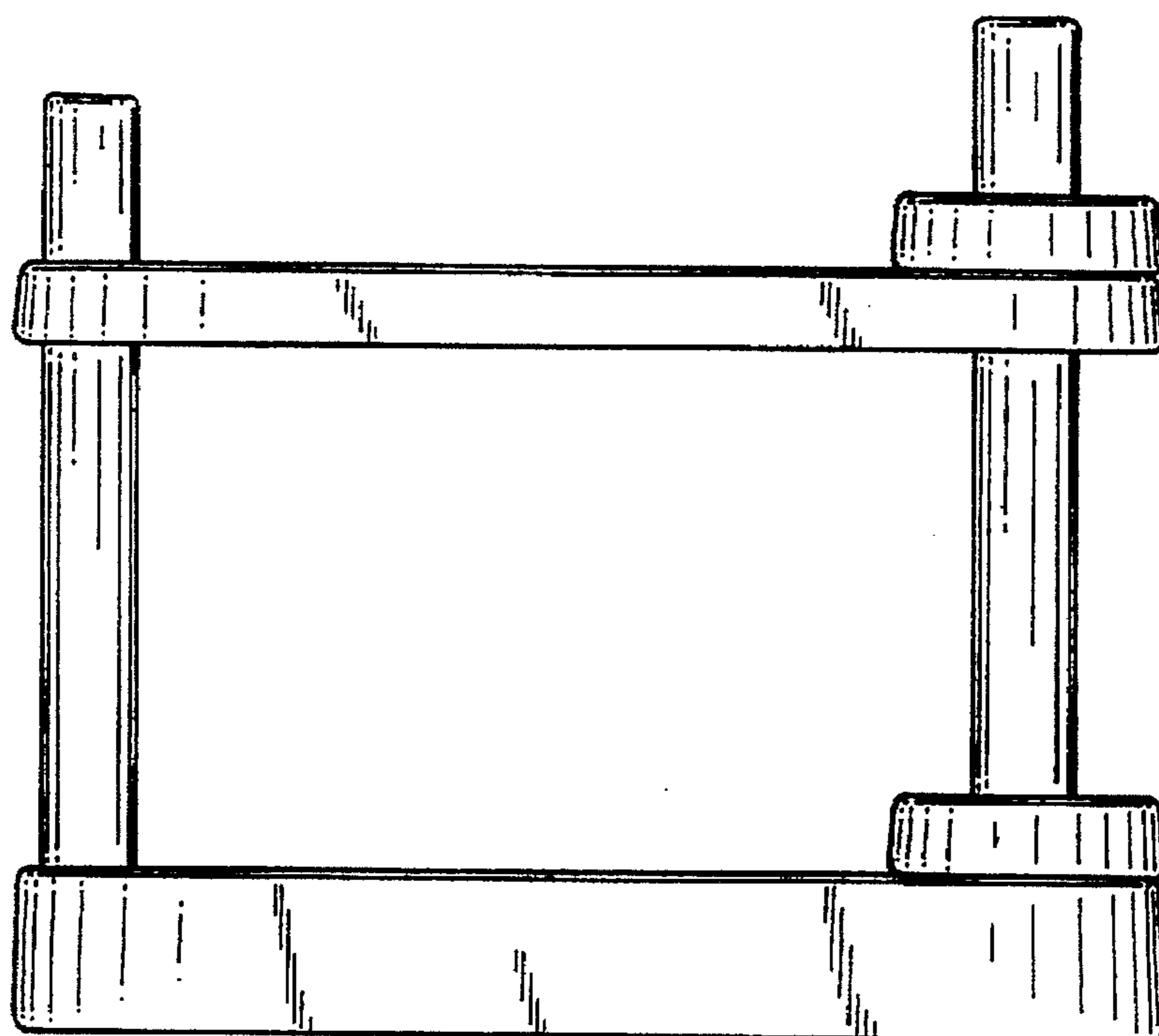


Fig. 6

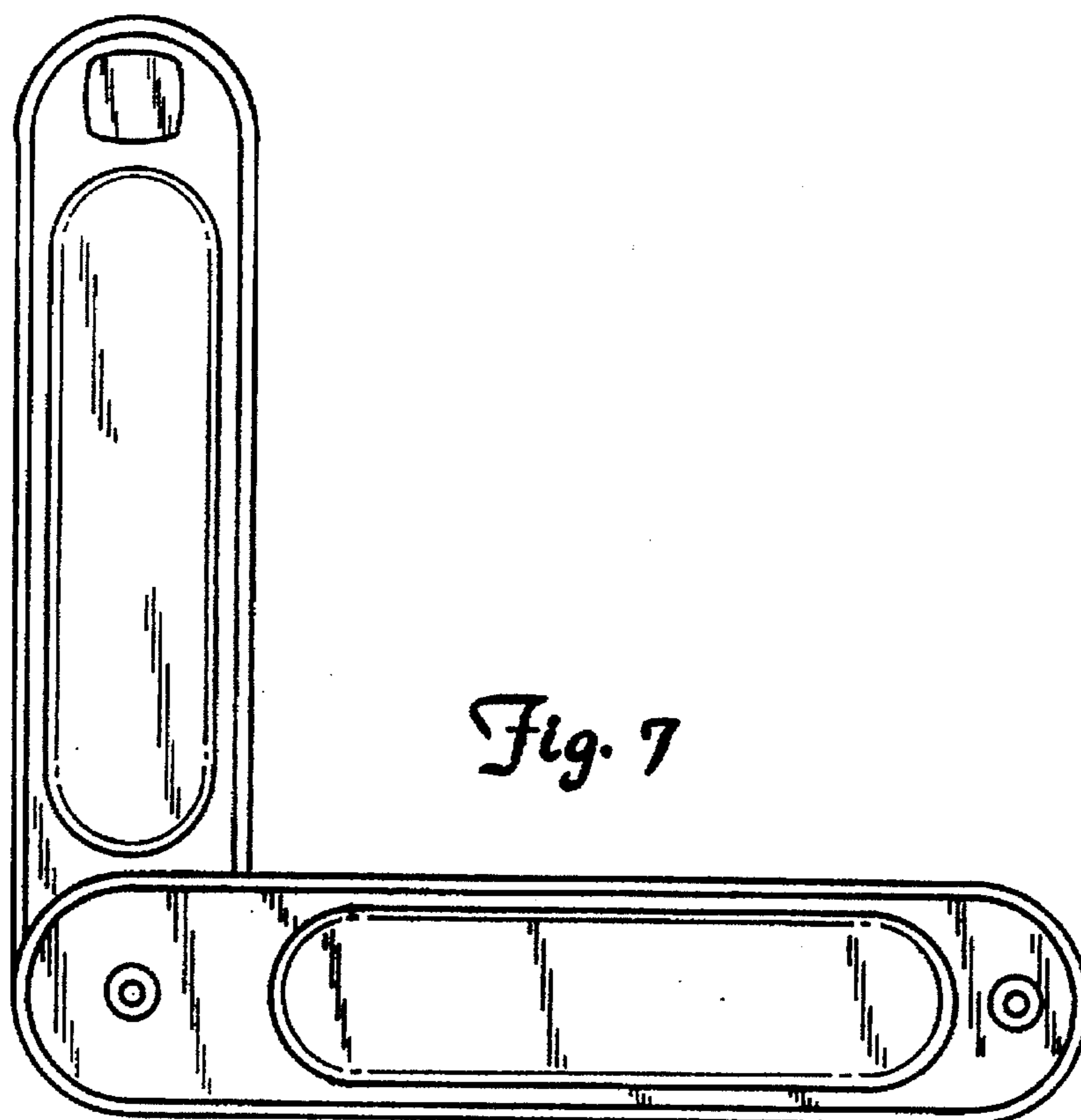


Fig. 7

