



US00D380354S

United States Patent [19]
Ferrin

[11] **Patent Number:** **Des. 380,354**
[45] **Date of Patent:** ****Jul. 1, 1997**

[54] **FAT SEPARATOR**

[76] **Inventor:** **Kenneth M. Ferrin**, P.O. Box 5069, 81
Newton La., East Hampton, N.Y. 11937

[**] **Term:** **14 Years**

[21] **Appl. No.:** **52,248**

[22] **Filed:** **Mar. 26, 1996**

[51] **LOC (6) Cl.** **07-04**

[52] **U.S. Cl.** **D7/667**

[58] **Field of Search** D7/667, 387; 99/495,
99/496, 499; 210/470, 475, 483, 513, 514

[56] **References Cited**

U.S. PATENT DOCUMENTS

D. 136,251	8/1943	Clark	D7/667
D. 138,398	8/1944	Reynolds	D7/667
708,791	9/1902	Abrahams	99/499
2,212,502	8/1940	Leahey	99/499

OTHER PUBLICATIONS

Chef's Catalog, p. 38, item D, Strainer Ladle.

Primary Examiner—Terry A. Wallace
Attorney, Agent, or Firm—Schweitzer Cornman & Gross

[57] **CLAIM**

The ornamental design for a fat separator, as shown and described.

DESCRIPTION

FIG. 1 is a perspective view of a fat separator incorporating the new design;

FIG. 2 is a front elevational view thereof;

FIG. 3 is a back elevational view thereof;

FIG. 4 is a side elevational view thereof;

FIG. 5 is a top plan view thereof; and,

FIG. 6 is a bottom view thereof.

1 Claim, 5 Drawing Sheets

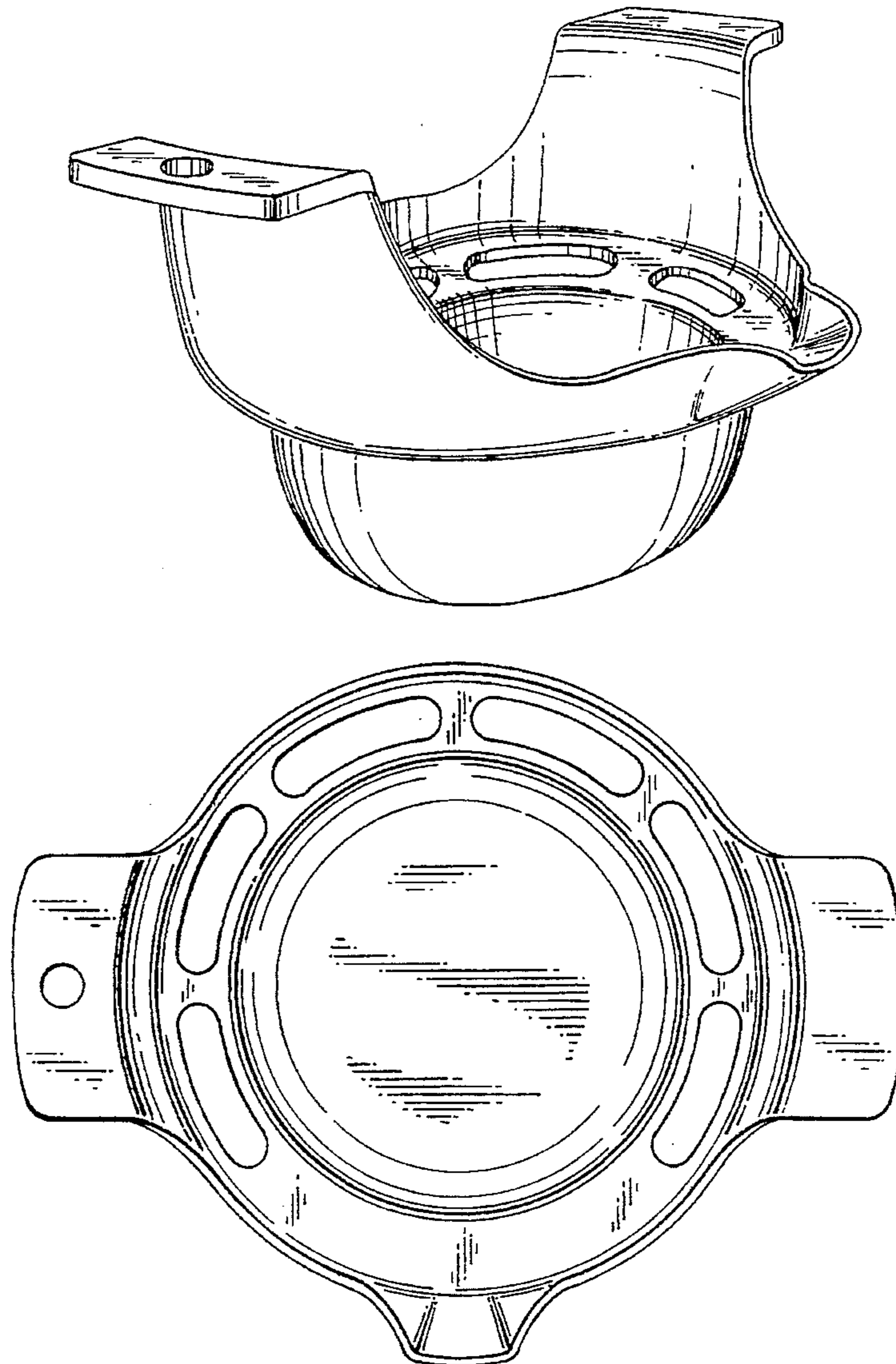
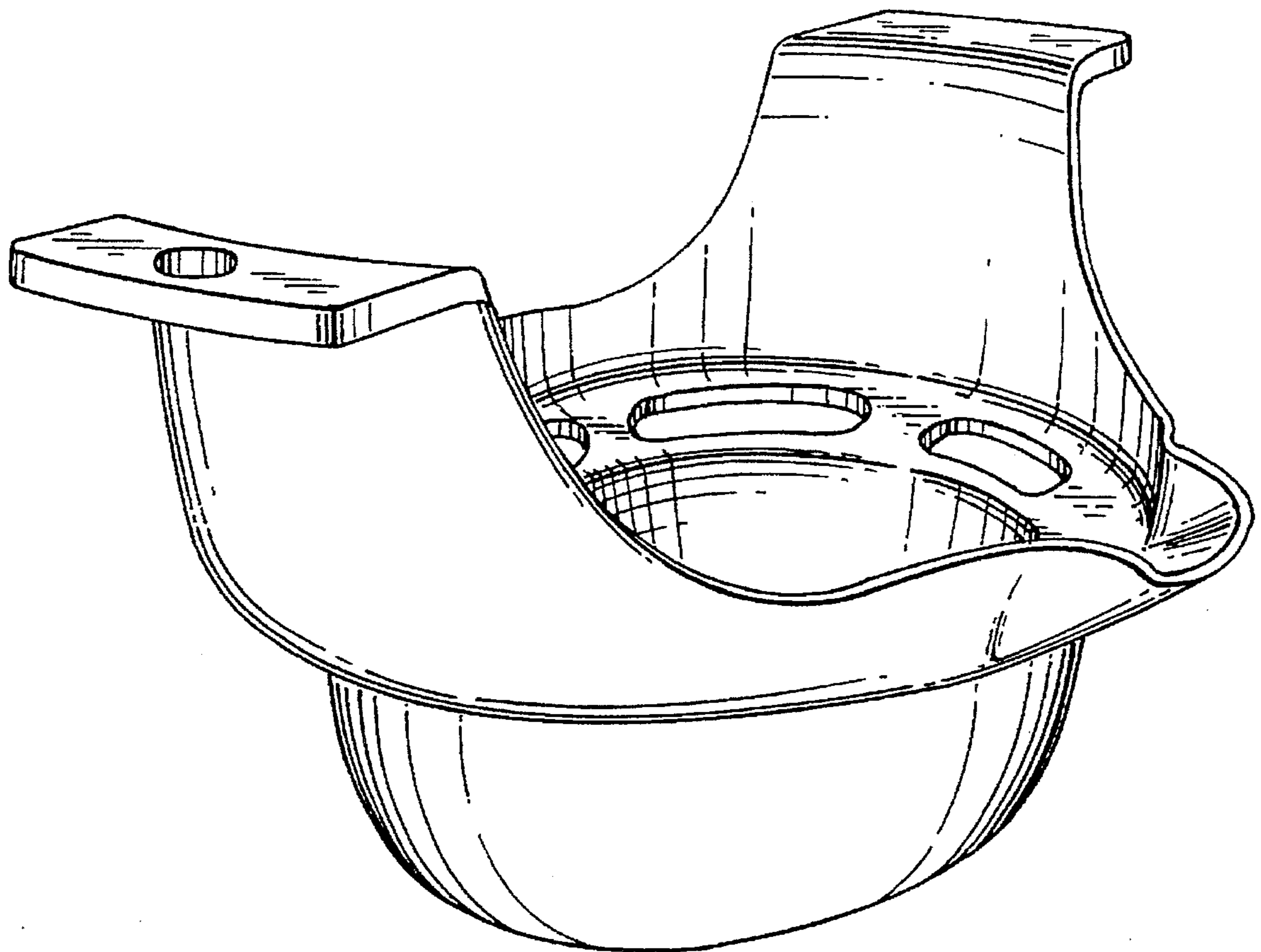


FIG. 1



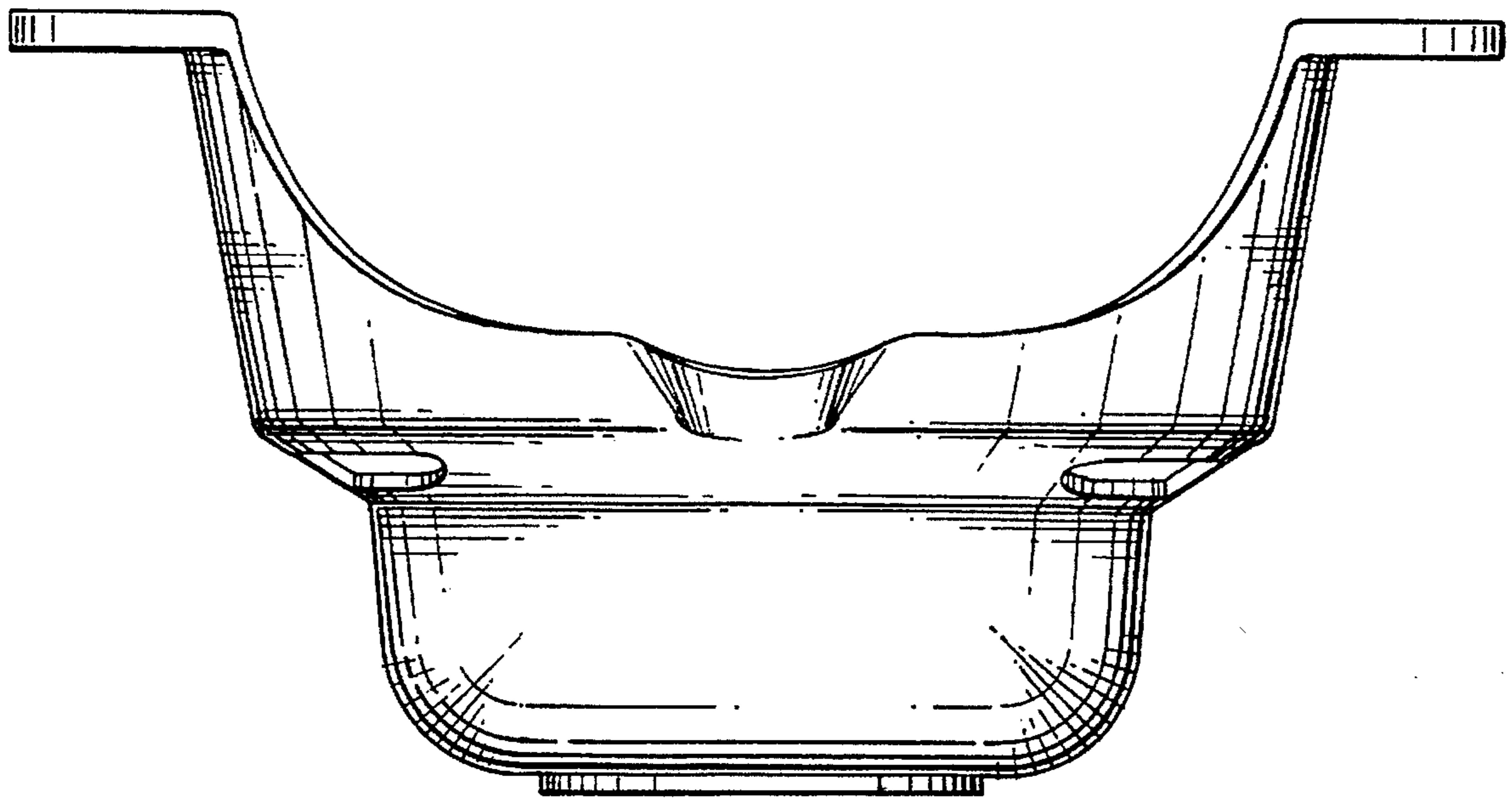


FIG.2

FIG. 4

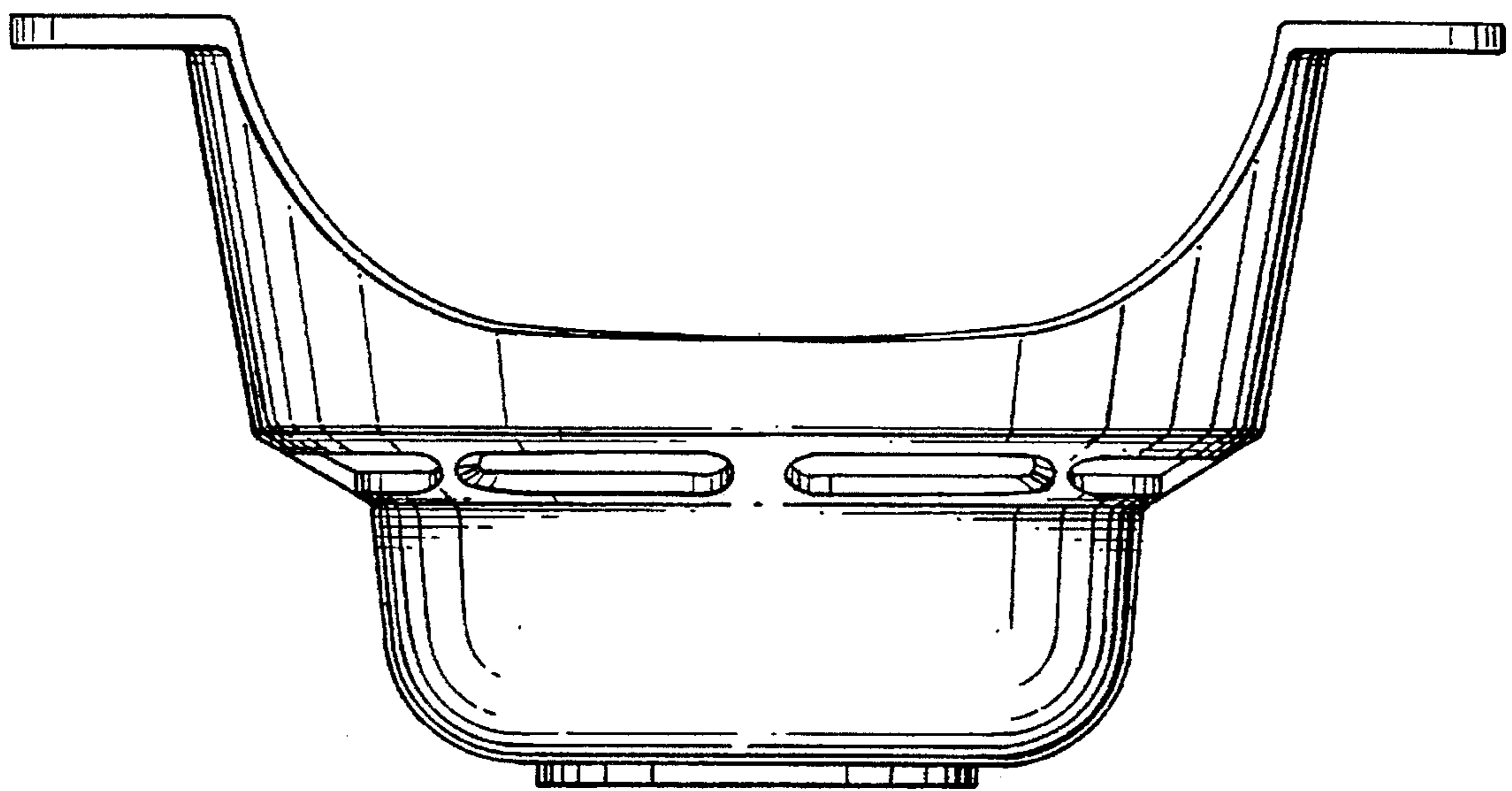
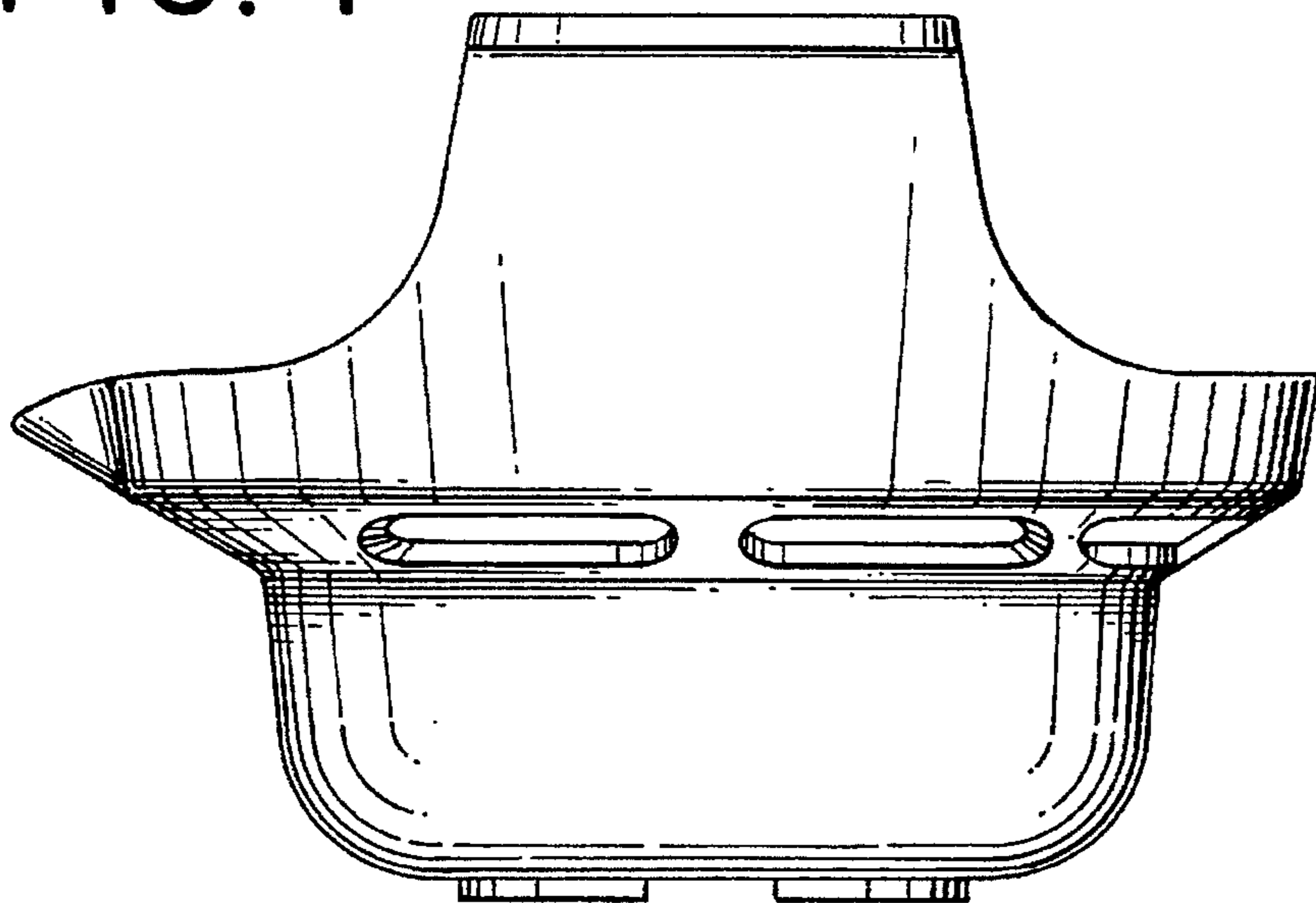
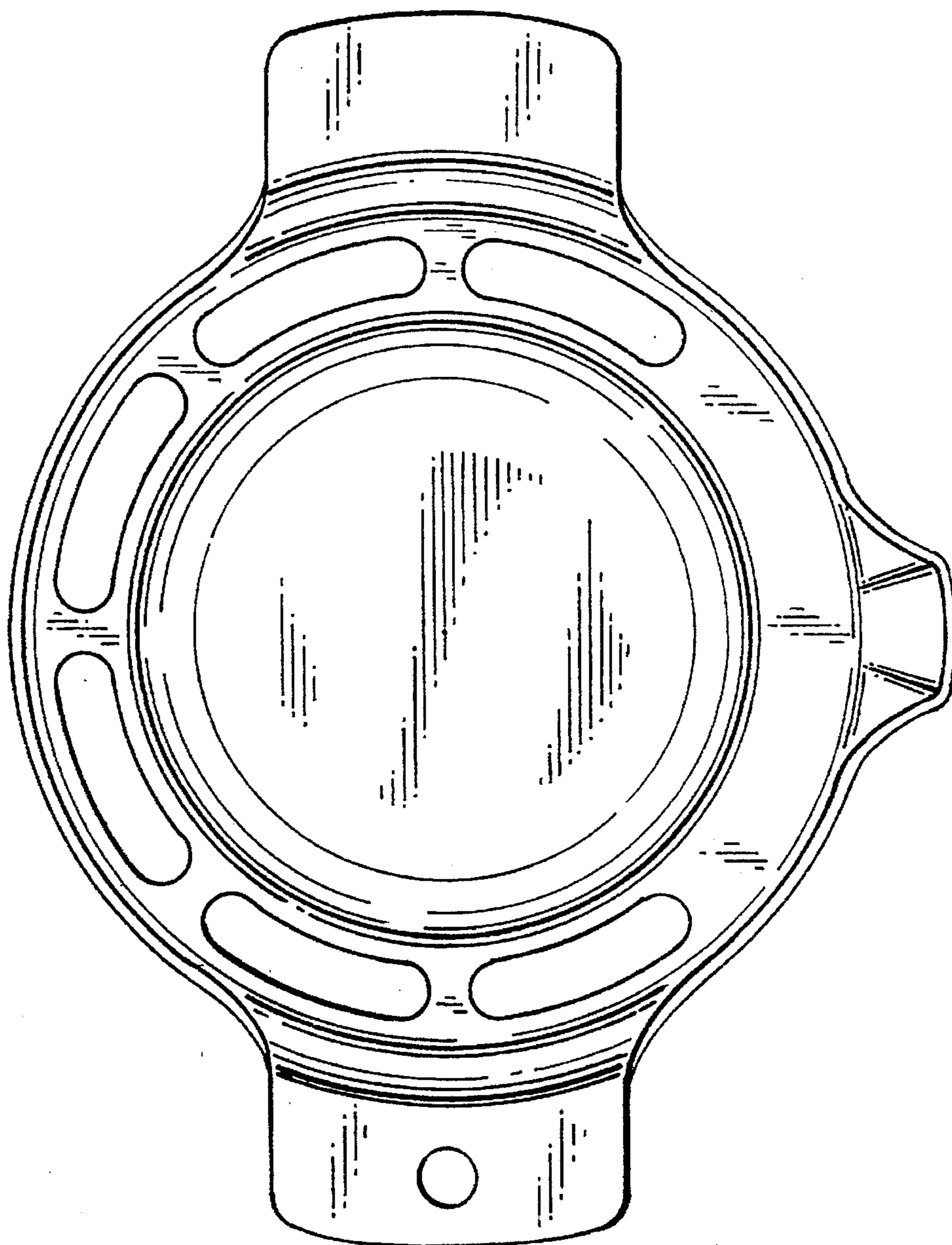


FIG. 3

FIG. 5



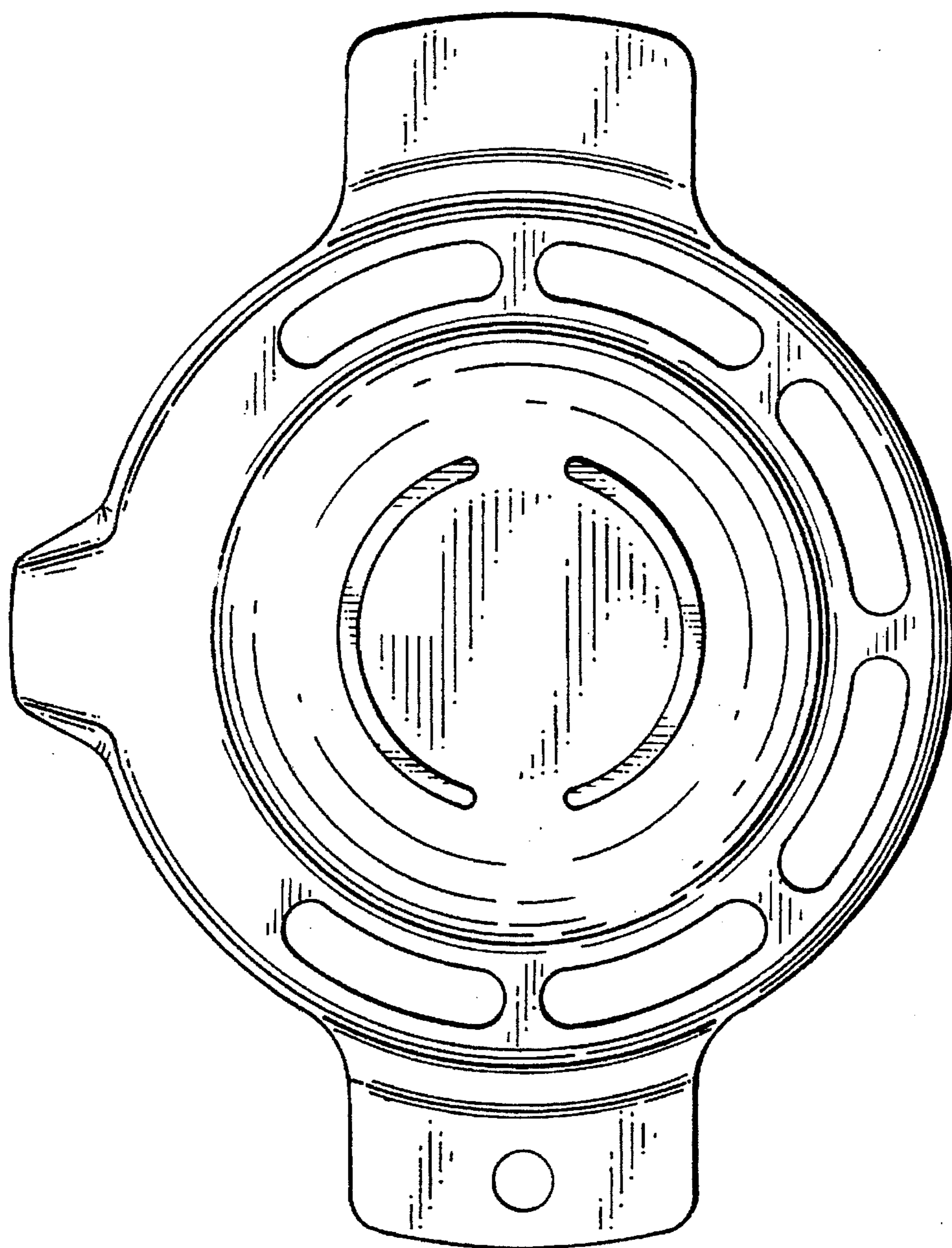


FIG. 6