



US00D380348S

United States Patent [19]

[11] Patent Number: **Des. 380,348**

Burns et al.

[45] Date of Patent: ****Jul. 1, 1997**

- [54] MUG
- [75] Inventors: **Richard H. Burns**, Troy, Ohio; **Allen J. Hutton**, Greenfield, Ind.
- [73] Assignee: **Seco Products Corporation**, Washington, Mo.
- [**] Term: **14 Years**
- [21] Appl. No.: **50,799**
- [22] Filed: **Feb. 26, 1996**
- [51] LOC (6) Cl. **07-01**
- [52] U.S. Cl. **D7/536; D7/533**
- [58] Field of Search D7/500, 505, 507, D7/701, 538, 540, 541, 542, 543, 545, 546, 547, 549, 550, 552, 553, 554, 555, 557, 566, 584, 586, 587, 601, 602, 590, 592, 536, 387, 354, 585, 560, 561, 562, 565, 531, 603, 610, 617, 535, 620, 533, 534; 220/671, 675, 575, 23.8, 556, 23.83, 630; D9/424

- D. 264,537 5/1982 Myodo D7/536
- D. 266,558 10/1982 Myodo D7/536
- D. 266,814 11/1982 Myodo D7/536
- D. 314,309 2/1991 Thorp .
- D. 316,360 4/1991 Thorp D7/565
- D. 369,063 4/1996 Meisner D7/536

OTHER PUBLICATIONS

Mug Home Furnishings Daily p. 30 Mar. 10, 1958.
Mug K 35.

Primary Examiner—M. N. Pandozzi
Attorney, Agent, or Firm—Polster, Lieder, Woodruff & Lucchesi, L.C.

[57] CLAIM

The ornamental design for mug, as shown and described.

DESCRIPTION

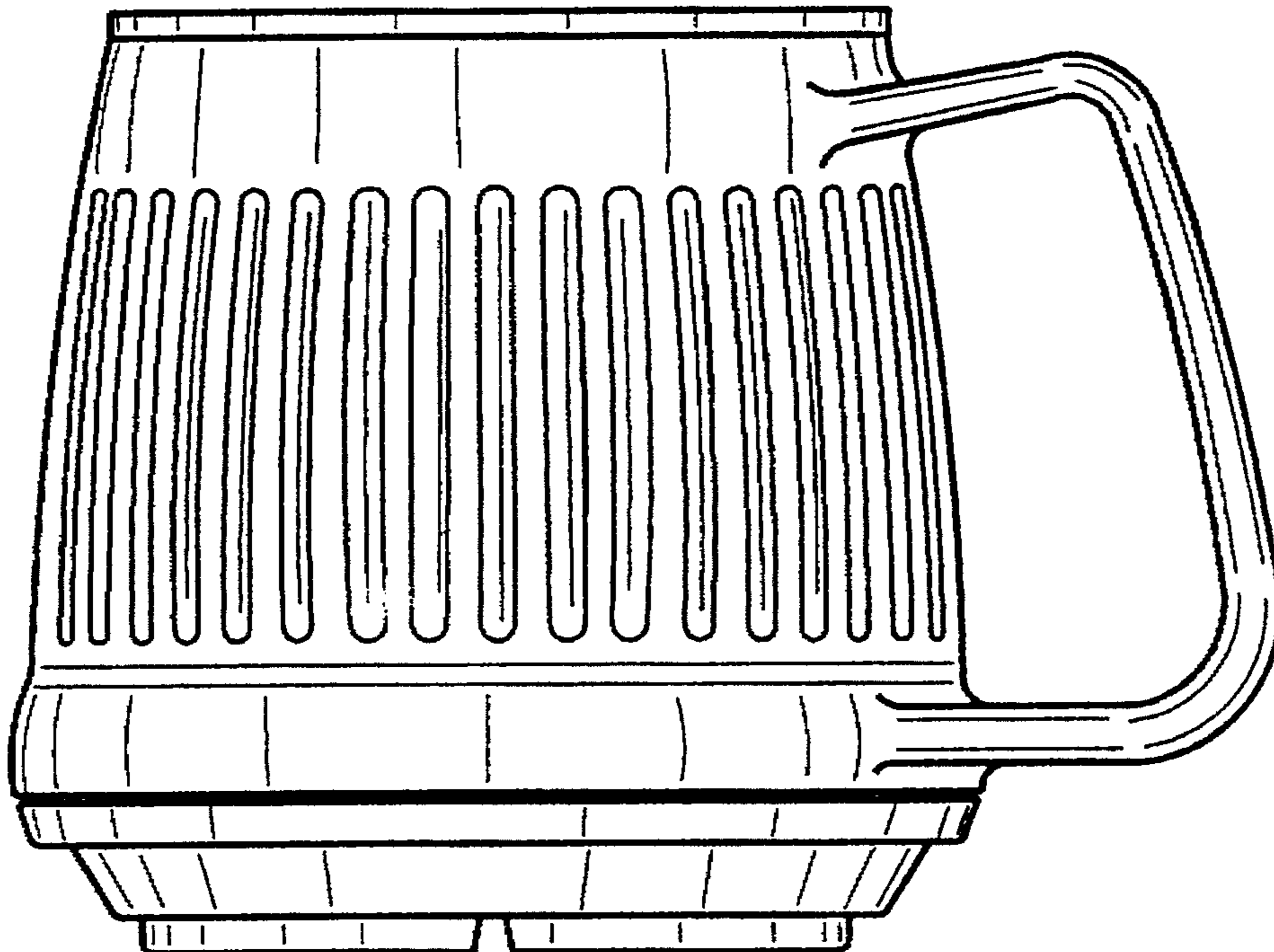
FIG. 1 is a perspective view showing the novel ornamental design of the mug of the present invention;
 FIG. 2 is a front elevational view, thereof;
 FIG. 3 is a rear side elevational view thereof;
 FIG. 4 is a side elevational view thereof;
 FIG. 5 is a side elevation view of the side opposite that shown in FIG. 4;
 FIG. 6 is a top plan thereof; and,
 FIG. 7 is a bottom plan thereof.

1 Claim, 2 Drawing Sheets

[56] References Cited

U.S. PATENT DOCUMENTS

- D. 68,688 11/1925 Anderson .
- D. 192,174 2/1962 Trombley D7/536
- D. 202,644 10/1965 Summit D7/536
- D. 264,536 5/1982 Myodo D7/536



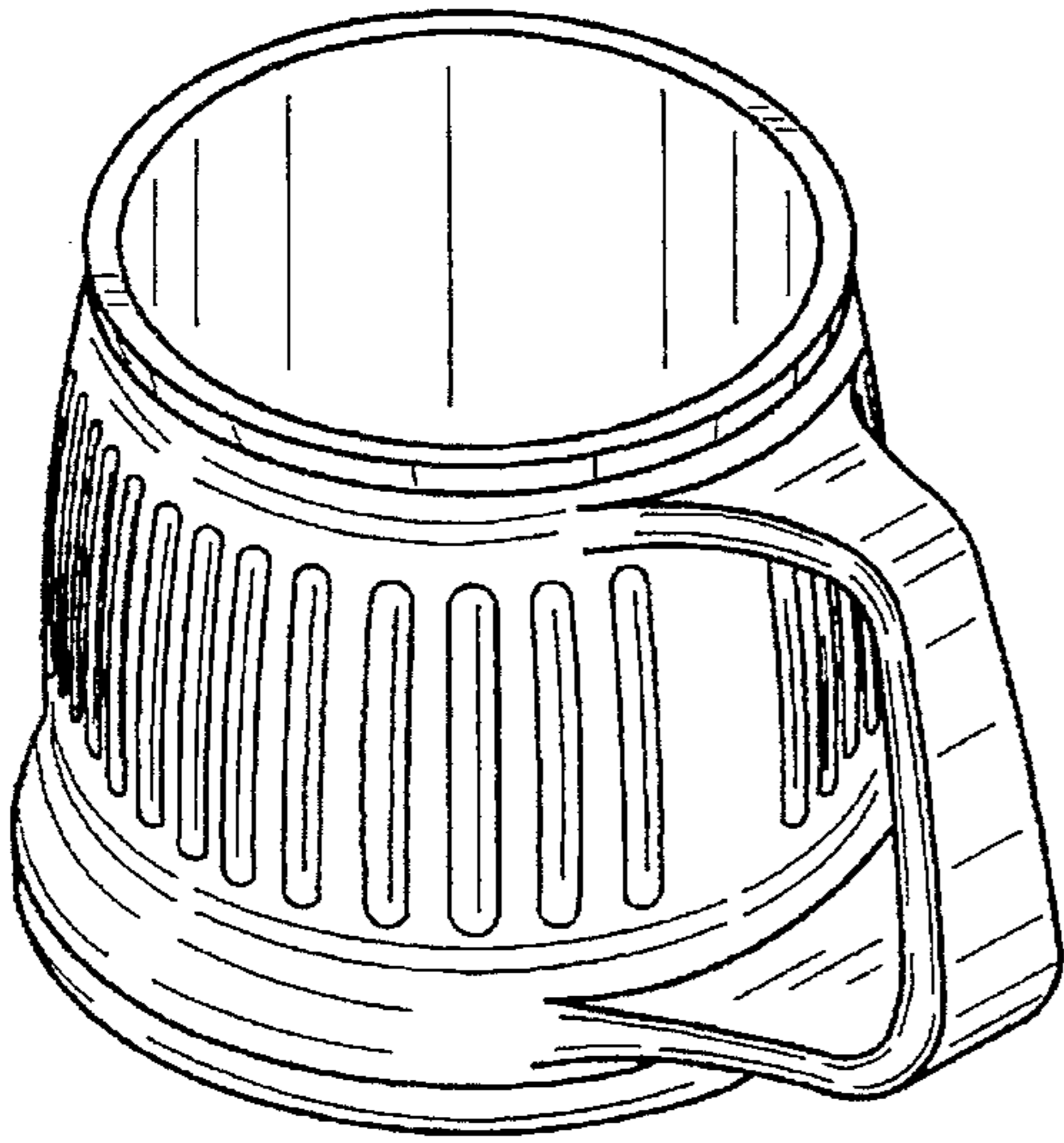


FIG. 1

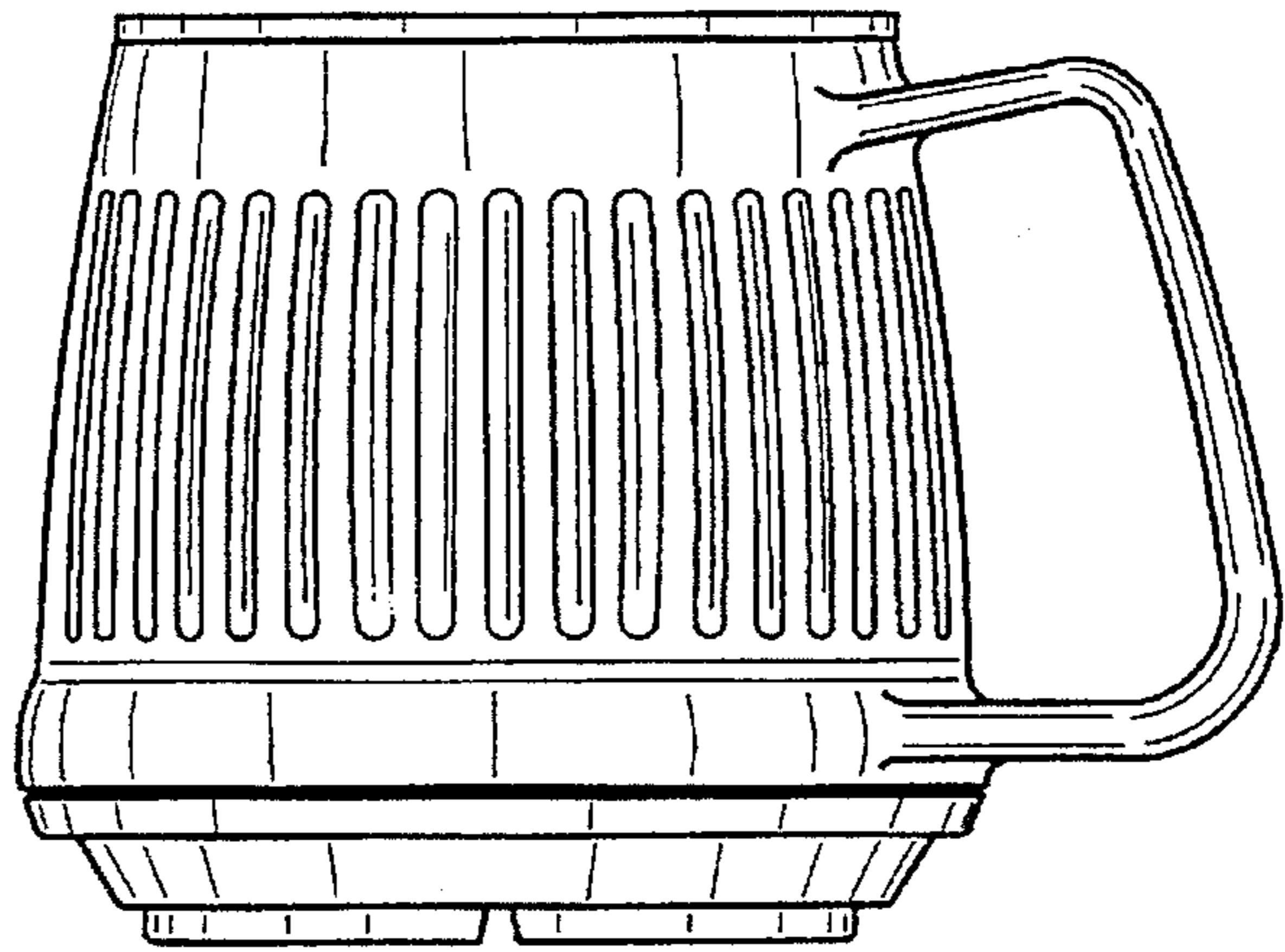


FIG. 2

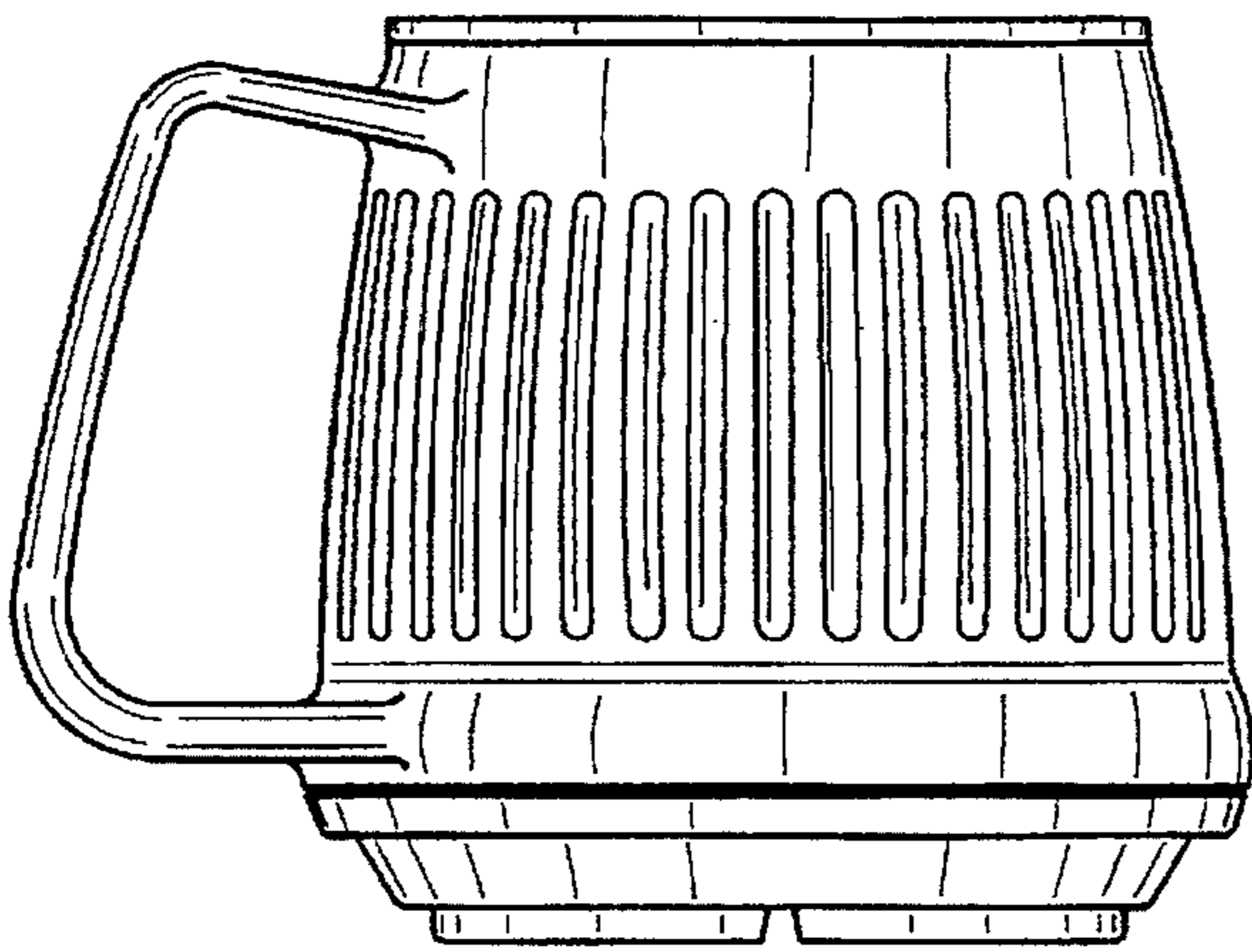


FIG. 3

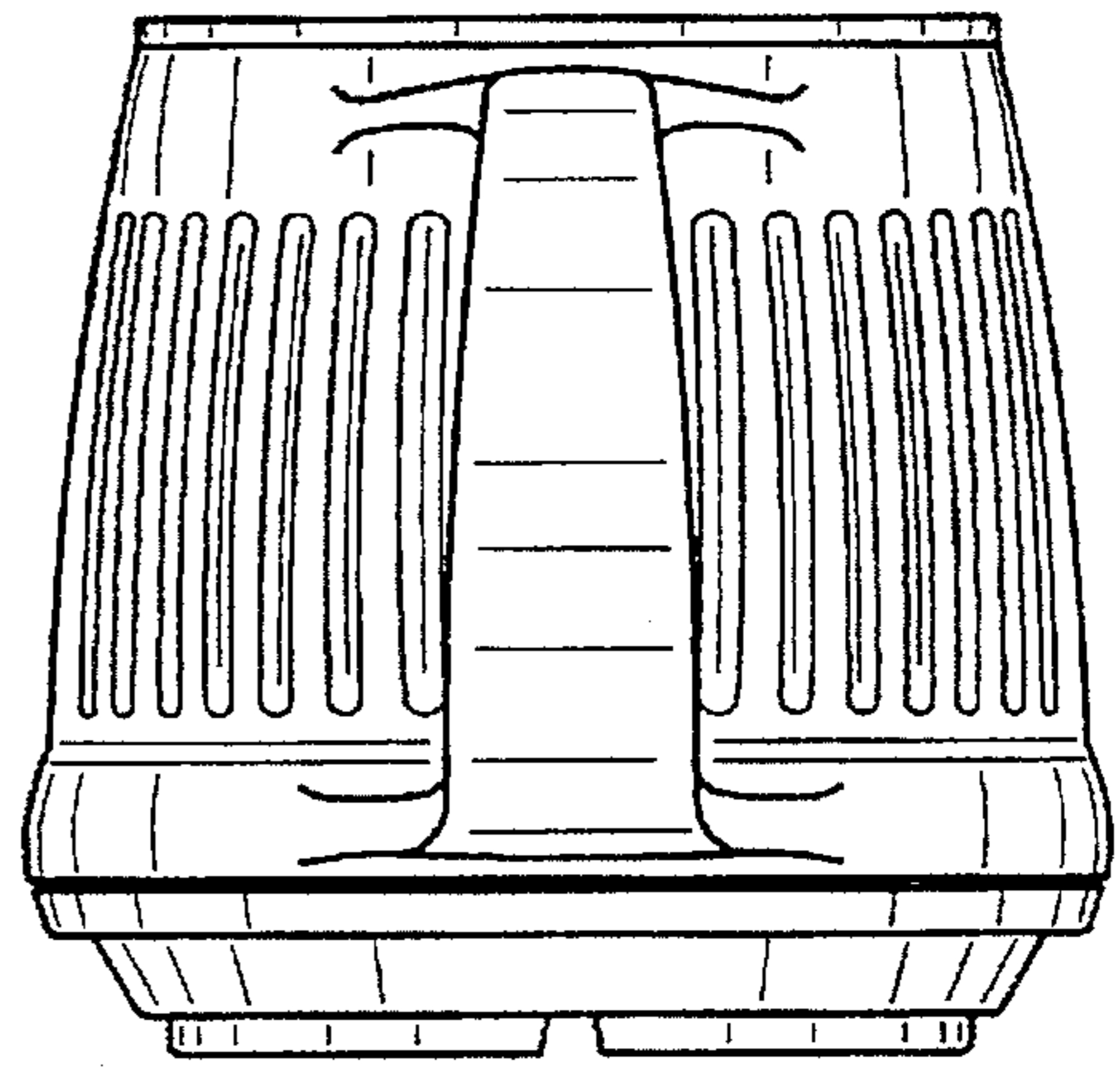


FIG. 4

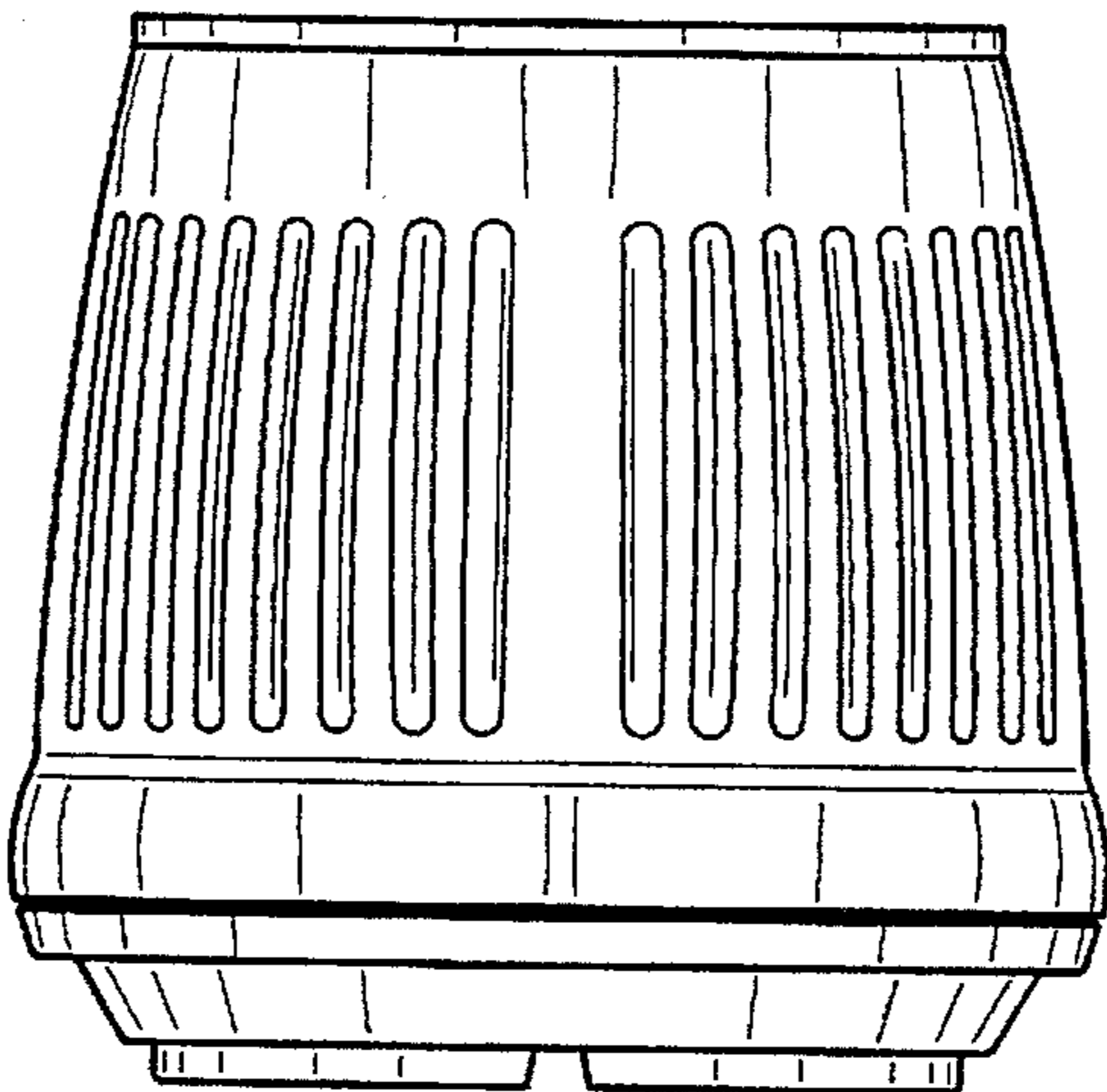


FIG. 5

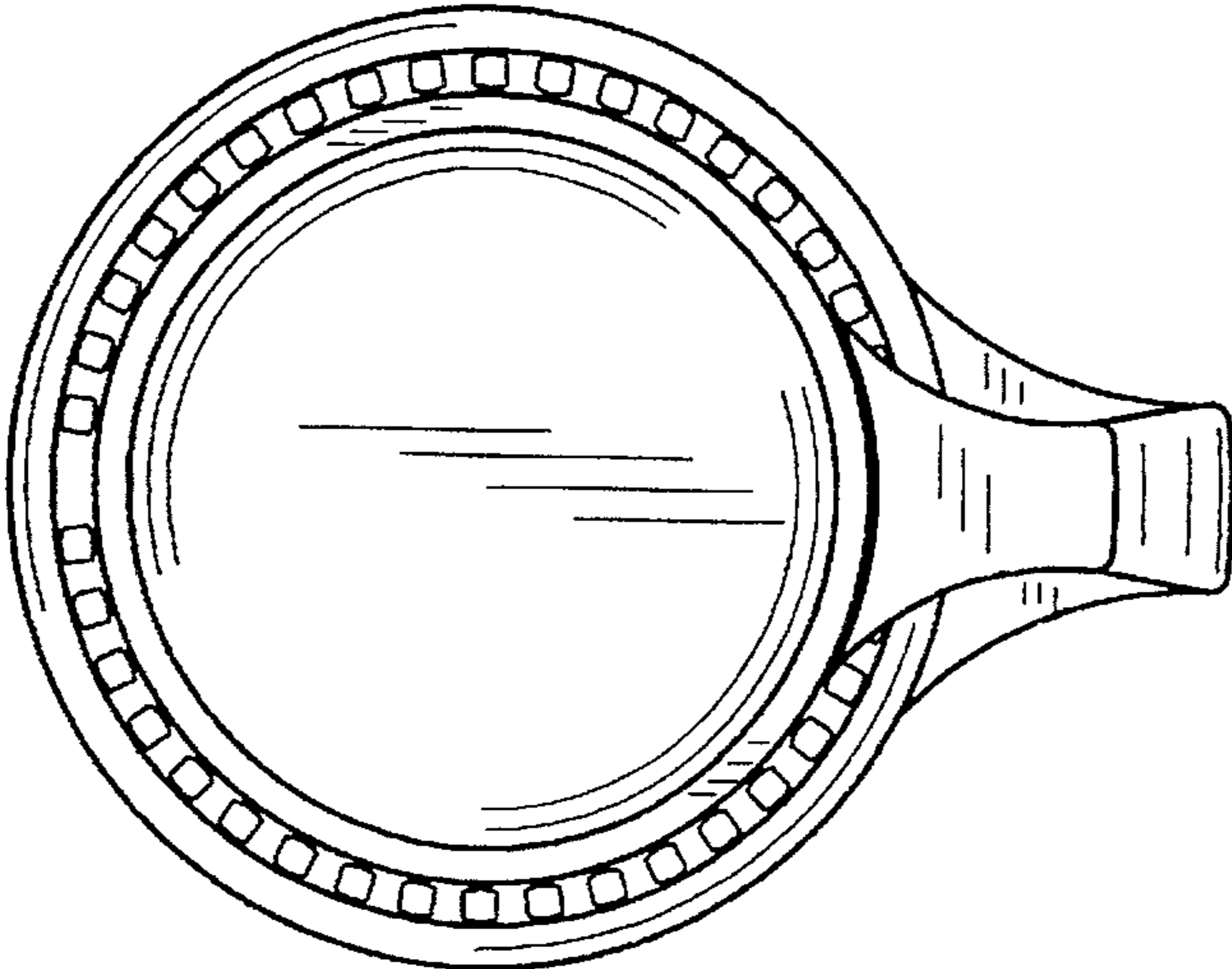


FIG. 6

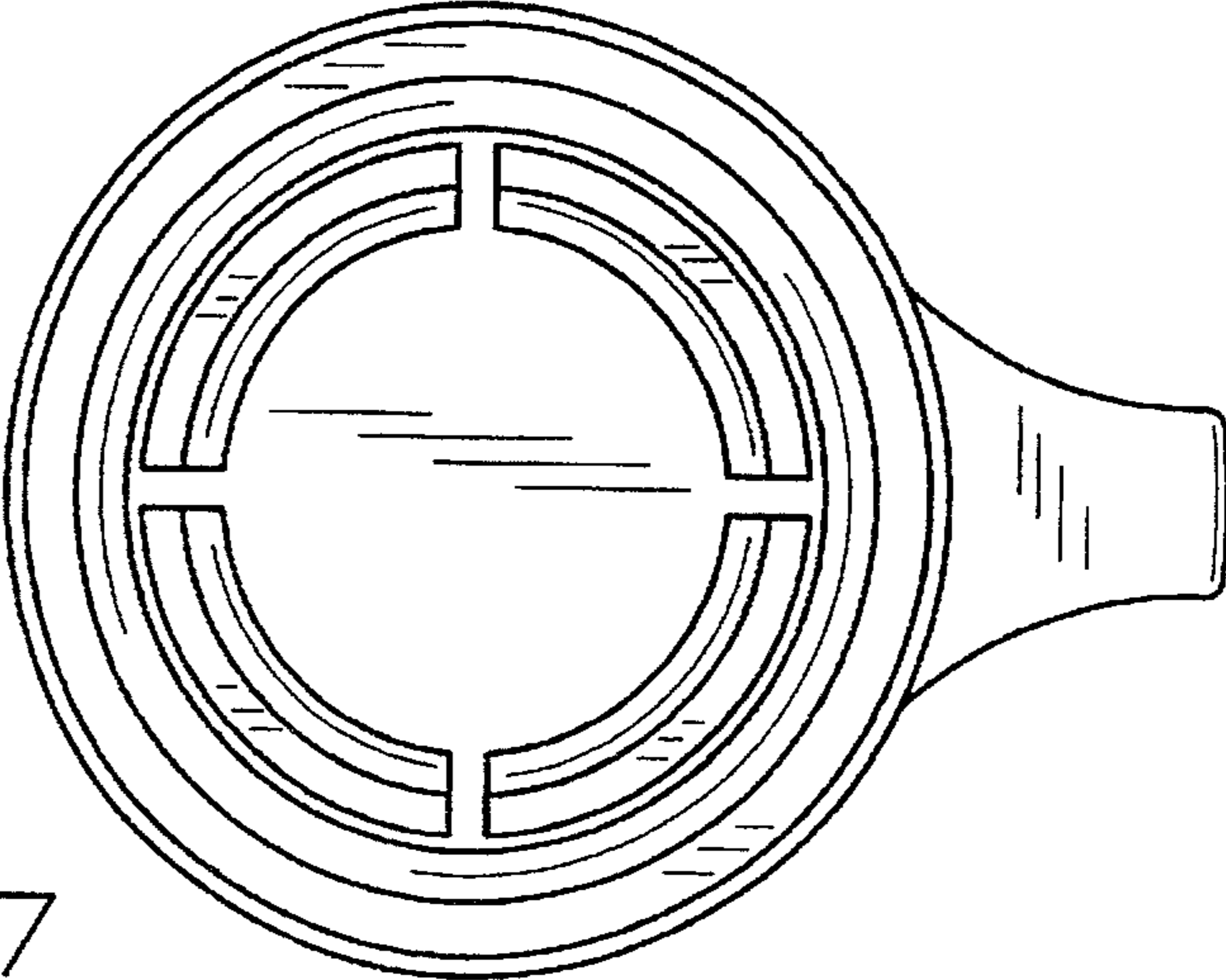


FIG. 7