



US00D380347S

United States Patent [19]
Norton

[11] **Patent Number: Des. 380,347**

[45] **Date of Patent: **Jul. 1, 1997**

[54] **STOVE TOP NESTING GRILL**

[76] Inventor: **Herman L. Norton**, P.O. Box 74094,
Houston, Tex. 77274

[**] Term: **14 Years**

[21] Appl. No.: **44,548**

[22] Filed: **Sep. 26, 1995**

[51] LOC (6) Cl. **07-02**

[52] U.S. Cl. **D7/409**

[58] Field of Search D7/337, 359, 363,
D7/364, 409, 393, 401.1, 360; 126/27,
211, 218, 41 R; 99/400, 401, 422, 425,
426, 340, 445, 446, 376, 380

[56] **References Cited**

U.S. PATENT DOCUMENTS

11,451	10/1854	Stroud	99/445
162,617	4/1875	Brightman	D7/360 X
D. 185,280	5/1959	Breenblat	D7/337
D. 219,693	1/1971	Hahn	D7/337
2,046,973	7/1936	Schroeder	99/425
4,476,848	10/1984	Protas	99/340
4,598,634	7/1986	Van Horn, II	99/340
4,942,862	7/1990	Alden et al.	126/41 R X
4,976,252	12/1990	Cianciola	126/27
5,131,320	7/1992	Jensen et al.	99/422

FOREIGN PATENT DOCUMENTS

0474900	3/1992	European Pat. Off.	99/422
---------	--------	--------------------	--------

OTHER PUBLICATIONS

Macy's Cellar Sale Catalog, Calphalon Products, p. 2(a)
Nov. 1993.

Primary Examiner—Louis S. Zarfes
Assistant Examiner—Frank Martinez
Attorney, Agent, or Firm—James A. Hudak

[57] **CLAIM**

The ornamental design for a stove top nesting grill, as shown
and described.

DESCRIPTION

FIG. 1 is a perspective view of the stove top nesting grill
showing my new design;
FIG. 2 is a front elevational view thereof, the rear elevational
view being a mirror image of the view shown in this Figure;
FIG. 3 is a left side elevational view thereof, the right side
elevational view being a mirror image of the view shown in
this Figure;
FIG. 4 is a top plan view thereof; and
FIG. 5 is a bottom plan view of the larger or bottom tray
within the stove top grill; the bottom plan view of the
smaller or top tray within the stove top grill being substan-
tially flat and unornamental; and,
FIG. 6 is a perspective view thereof, showing the stove top
nesting grill in a nesting position.
The broken line showing of a stove is for illustrative
purposes only and forms no part of the claimed design.

1 Claim, 4 Drawing Sheets

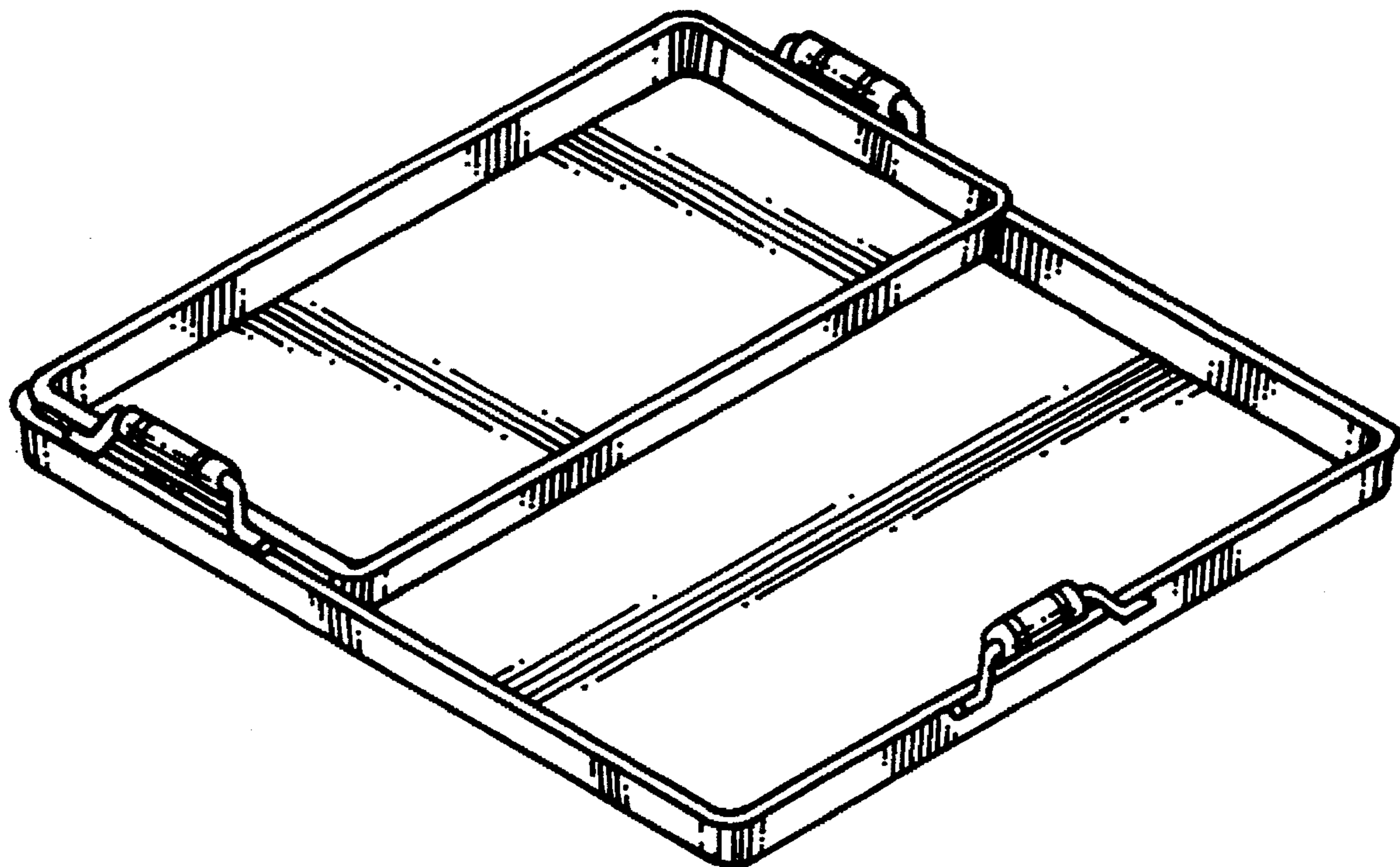
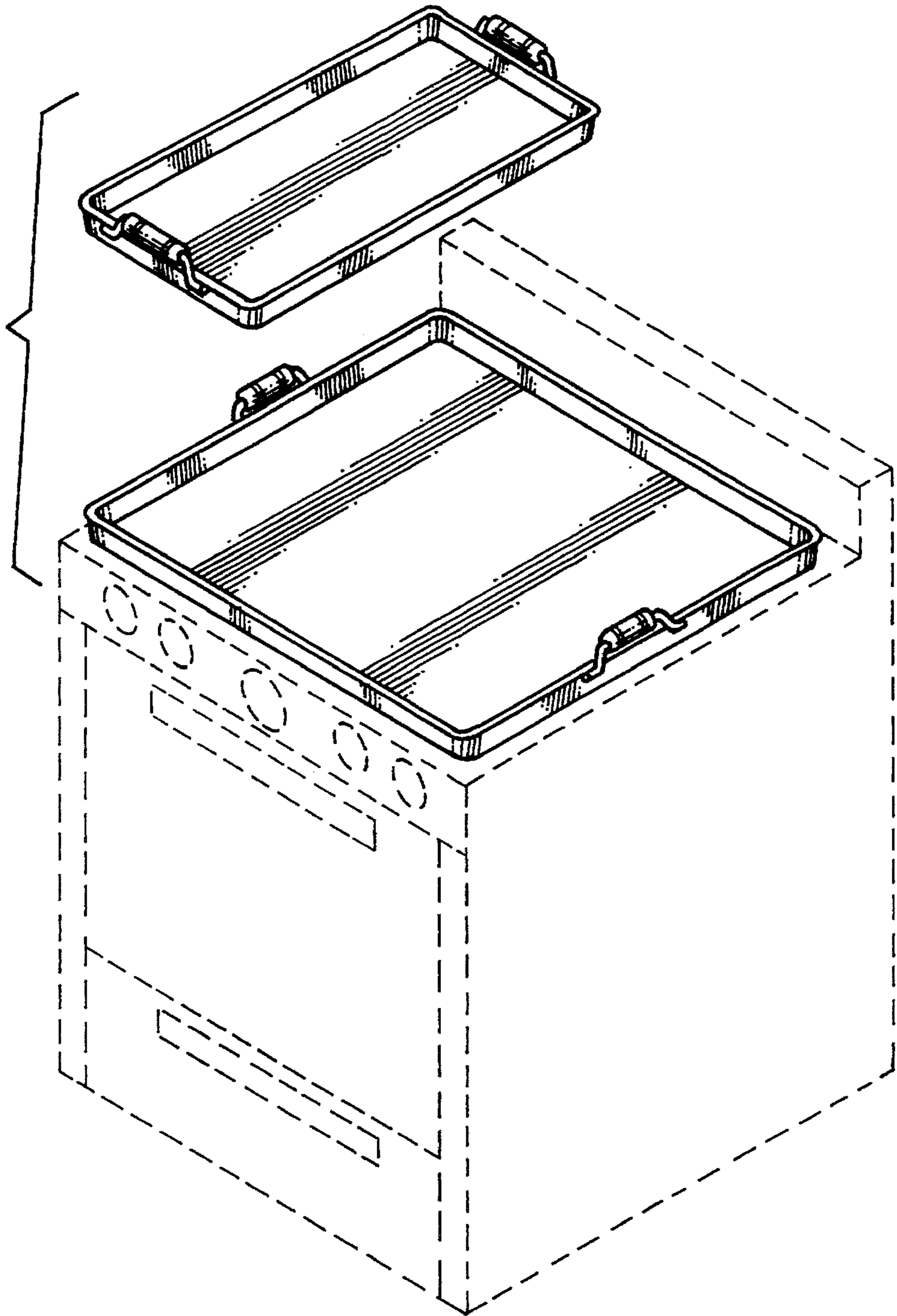
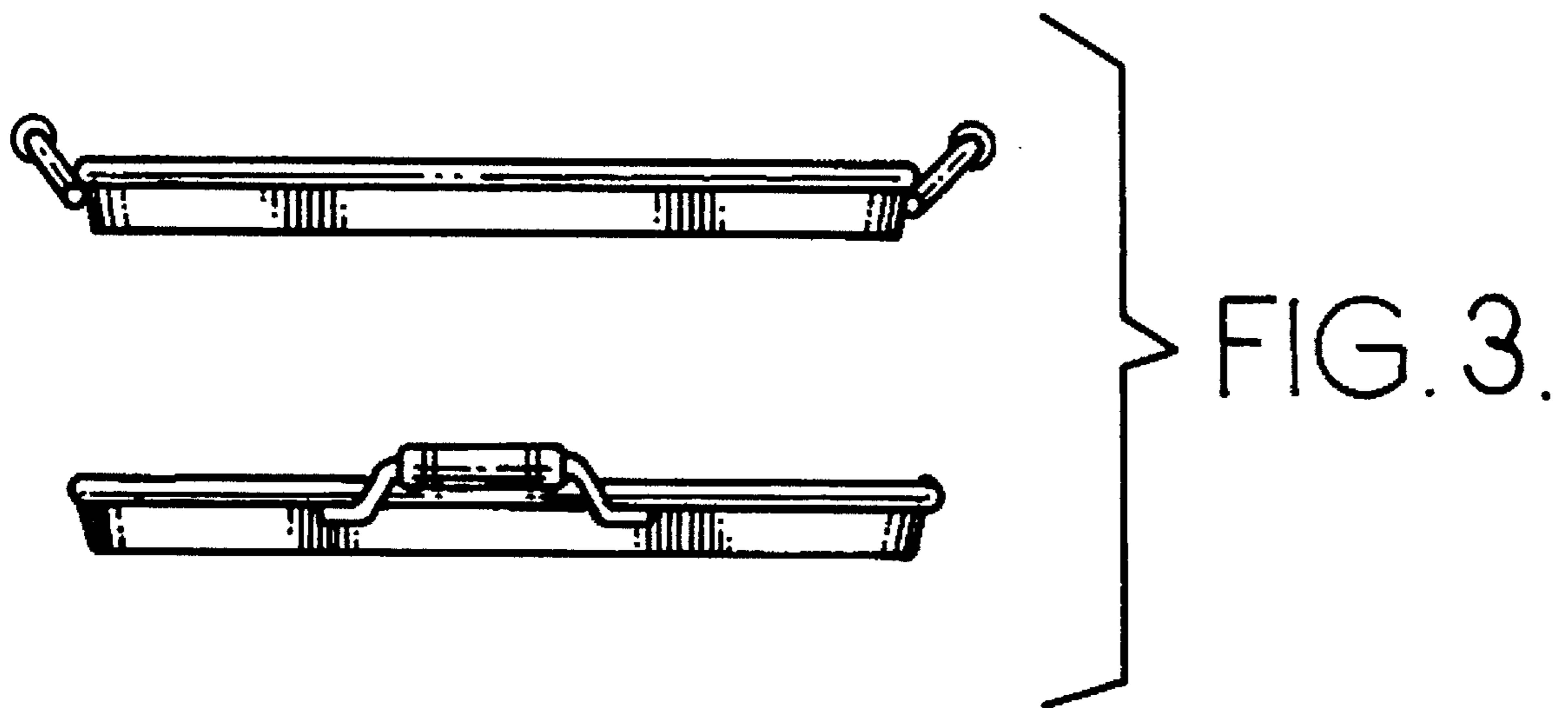
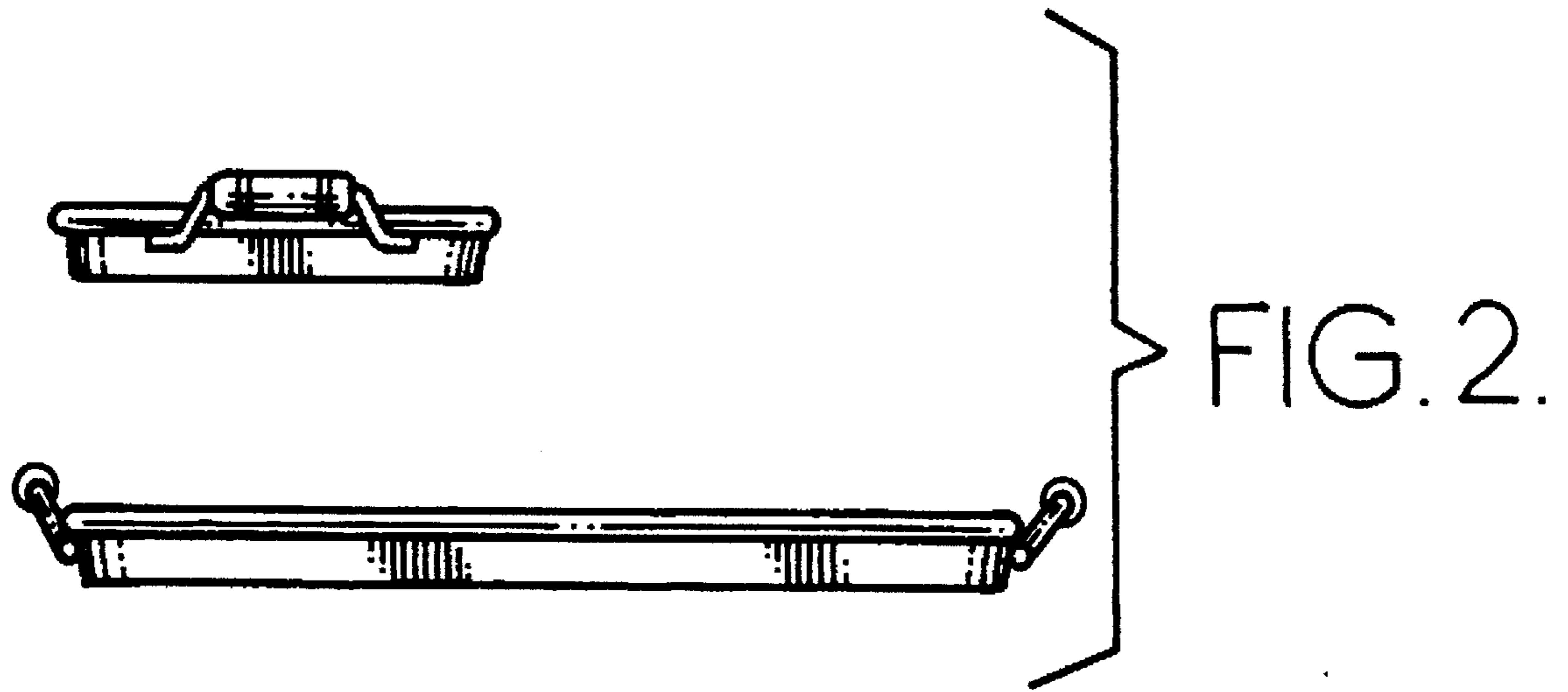


FIG.1.





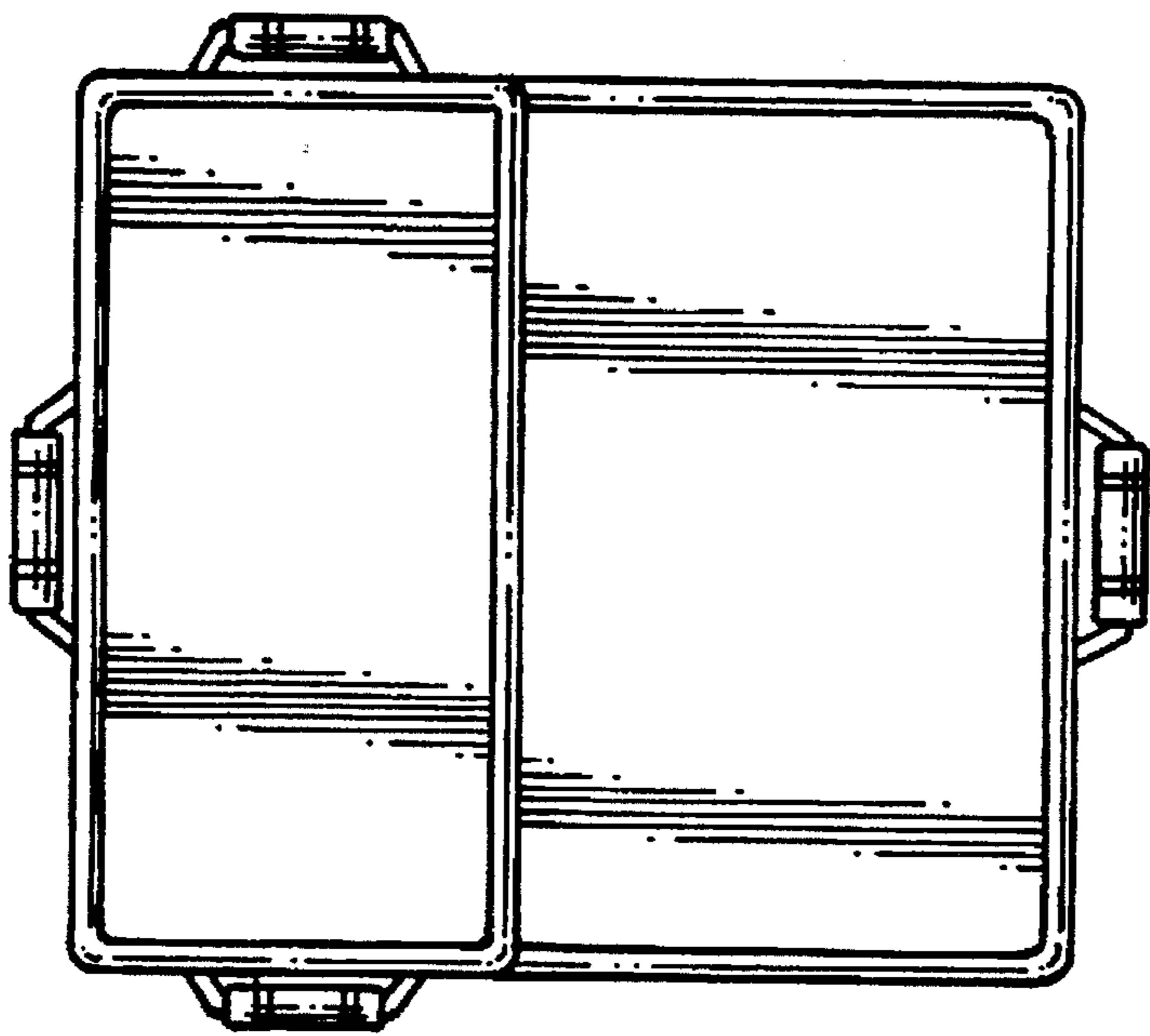


FIG. 4.

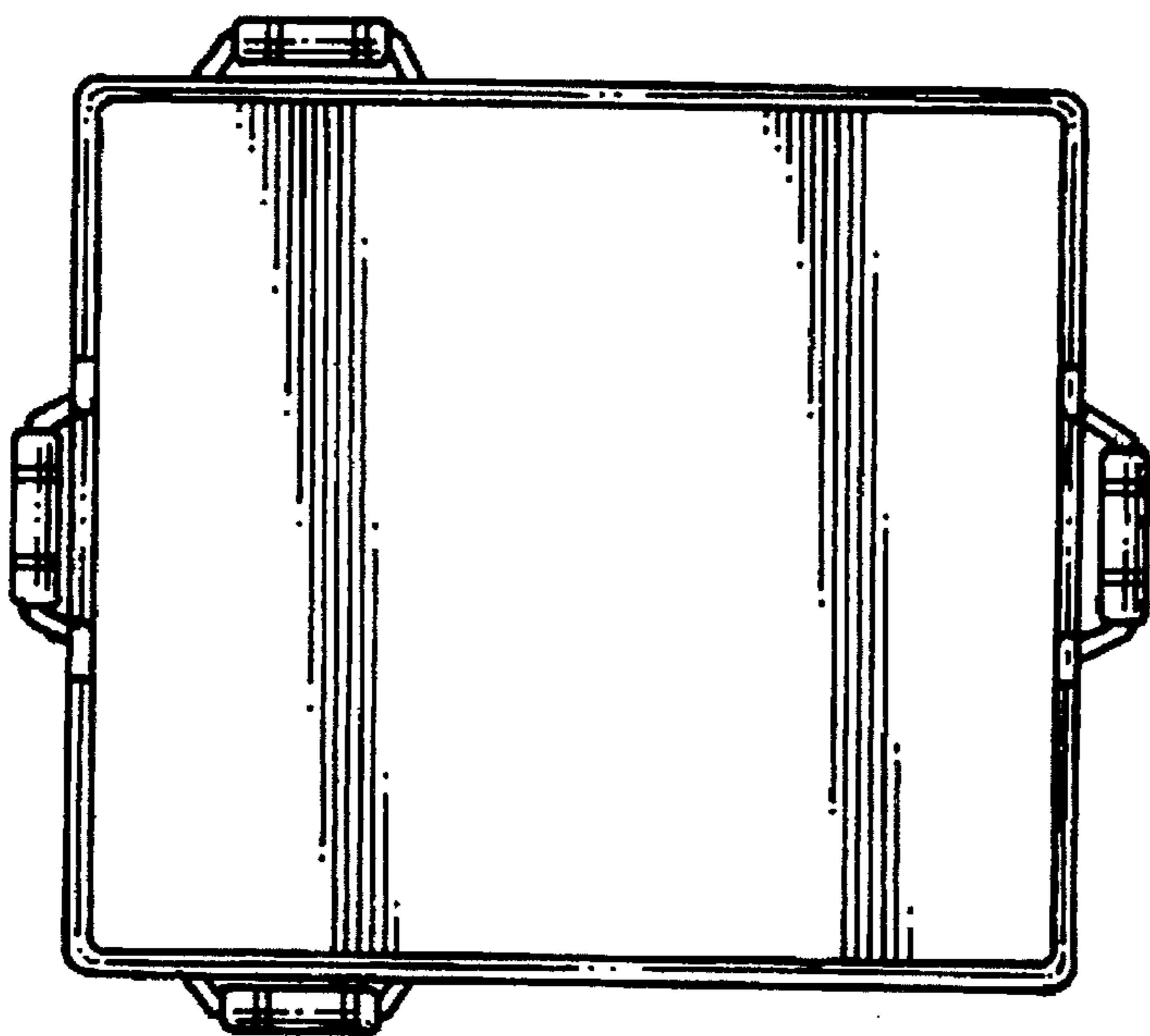


FIG. 5.

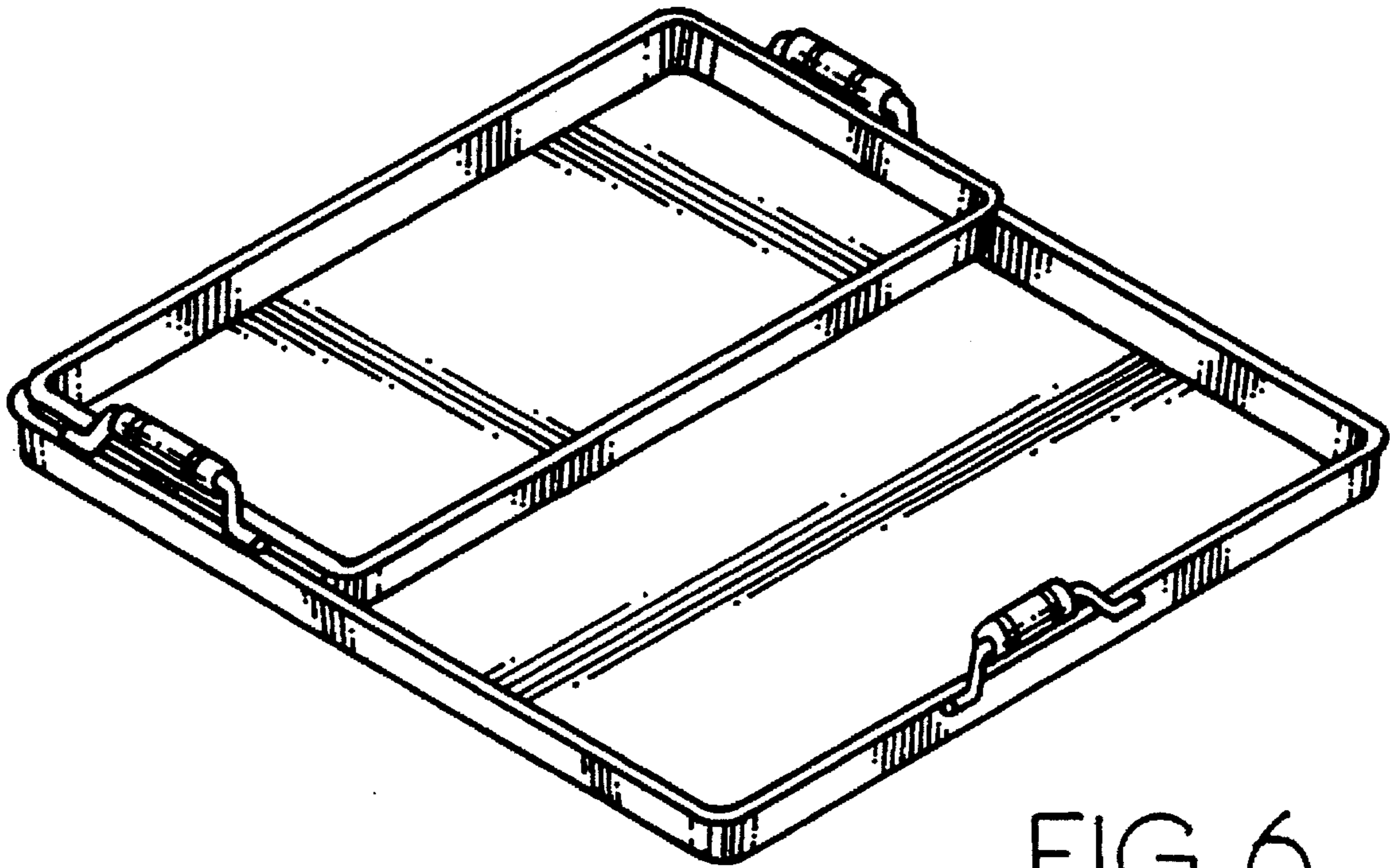


FIG. 6.