



US00D380344S

United States Patent [19] Laib

[11] Patent Number: **Des. 380,344**

[45] Date of Patent: ****Jul. 1, 1997**

[54] **HANDLE FOR A MUG**

[75] Inventor: **Douglas M. Laib**, Orlando, Fla.

[73] Assignee: **Dart Industries Inc.**, Orlando, Fla.

[**] Term: **14 Years**

[21] Appl. No.: **41,747**

[22] Filed: **Jul. 24, 1995**

[51] LOC (6) Cl. **07-01**

[52] U.S. Cl. **D7/394; D7/393; D7/536**

[58] Field of Search D7/536, 535, 534,
D7/533, 507, 509, 510, 511, 393, 394,
395; 220/711, 713; 16/110 R, 114 R, 114 A,
125; D8/169

[56] **References Cited**

U.S. PATENT DOCUMENTS

- D. 130,668 12/1941 Reinecke D8/9 X
- D. 202,643 10/1965 Hoyt, Jr. .
- D. 254,463 3/1980 Wilson .
- D. 257,524 11/1980 Heinrich .
- D. 290,325 6/1987 Ritman .
- D. 292,464 10/1987 Petrsek .
- D. 310,941 10/1990 Carty D7/536 X
- D. 314,309 2/1991 Thorp .
- D. 333,067 2/1993 Feltman, III .
- D. 334,324 3/1993 Pierce .
- D. 356,234 3/1995 Wolfenden .
- D. 368,830 4/1996 Lu D7/536
- 2,687,628 8/1954 Cunningham D7/536 X

- 2,722,137 11/1955 Russell 16/125
- 4,220,079 9/1980 Sims D7/536 X
- 4,643,326 2/1987 Klingler D7/536 X

FOREIGN PATENT DOCUMENTS

- 0297165 1/1989 European Pat. Off. D7/536
- 258588 4/1913 Germany D7/536

OTHER PUBLICATIONS

Happy Clown Cup in Crockery & Glass Journal Oct. 1960 p. 25.

Primary Examiner—M. N. Pandozzi
Attorney, Agent, or Firm—John A. Doninger

[57] **CLAIM**

The ornamental design for handle for a mug, as shown and described.

DESCRIPTION

FIG. 1 is a top side and rear perspective view showing my new design;
 FIG. 2 is a left side elevational view thereof;
 FIG. 3 is a right side elevational view thereof;
 FIG. 4 is a top plan thereof;
 FIG. 5 is a bottom plan view thereof; and,
 FIG. 6 is a rear elevational view thereof.
 The broken line showing of a mug(drink container portion) is for illustrative purposes only and forms no part of the claimed design.

1 Claim, 2 Drawing Sheets

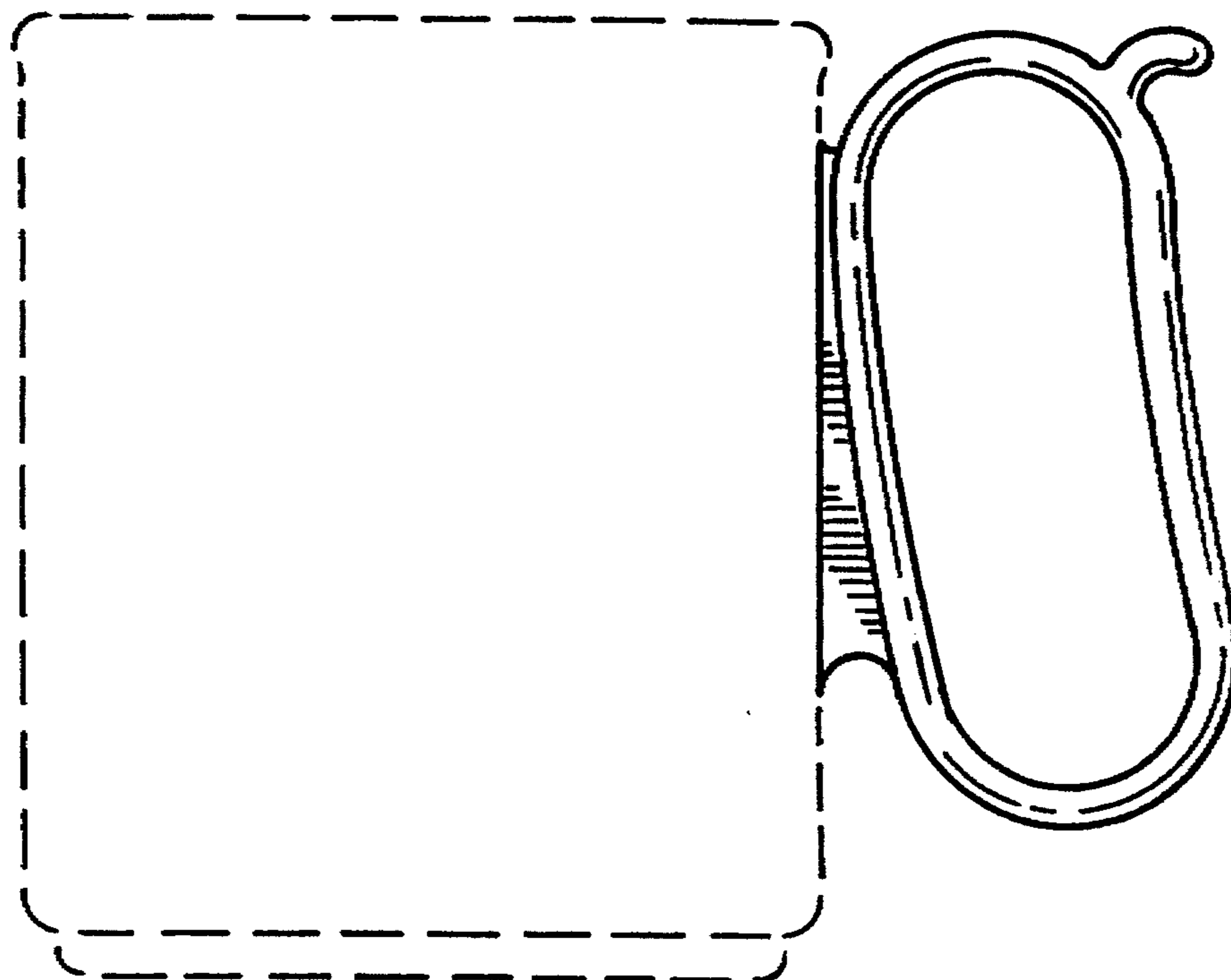


FIG. 1

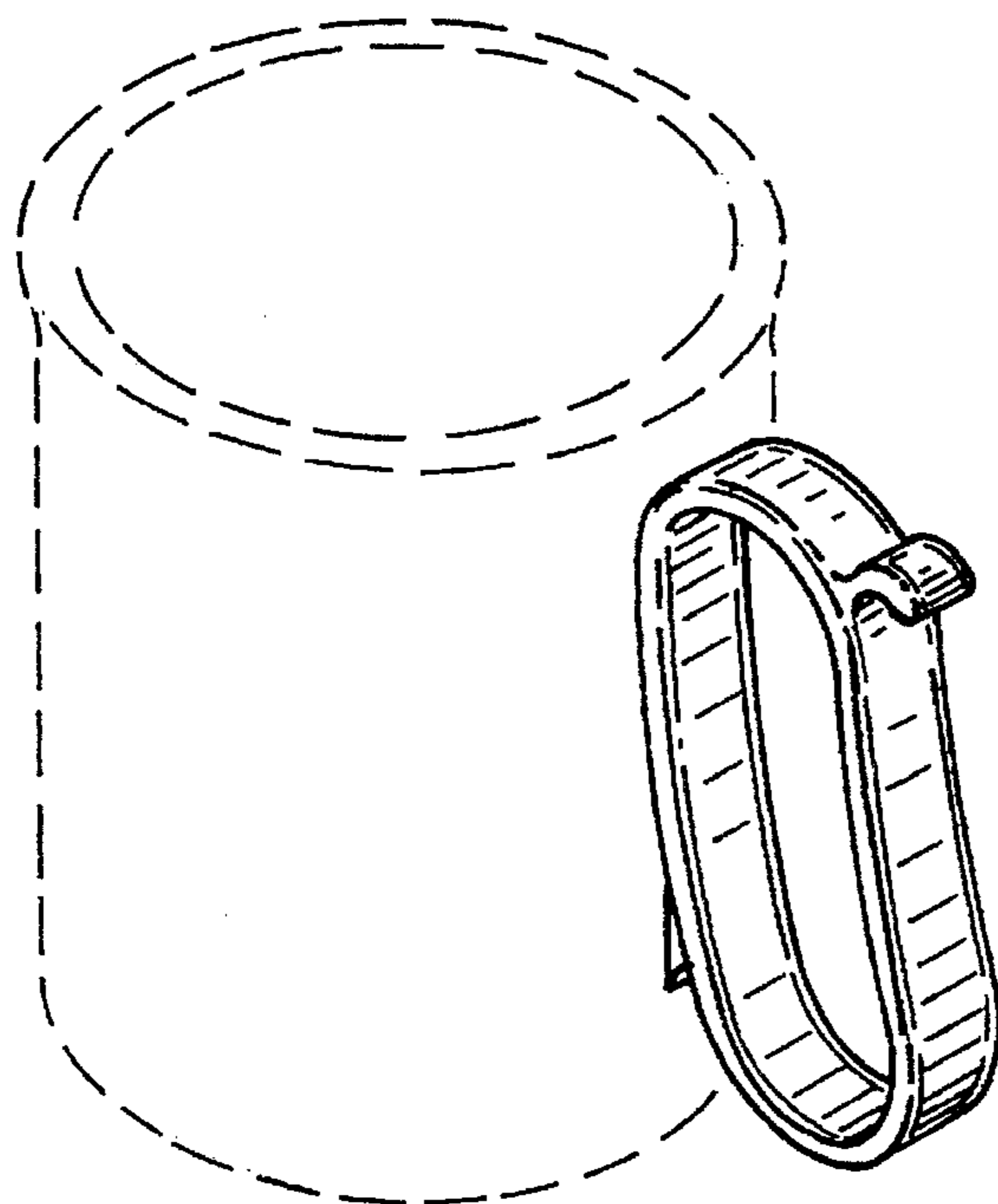


FIG. 2

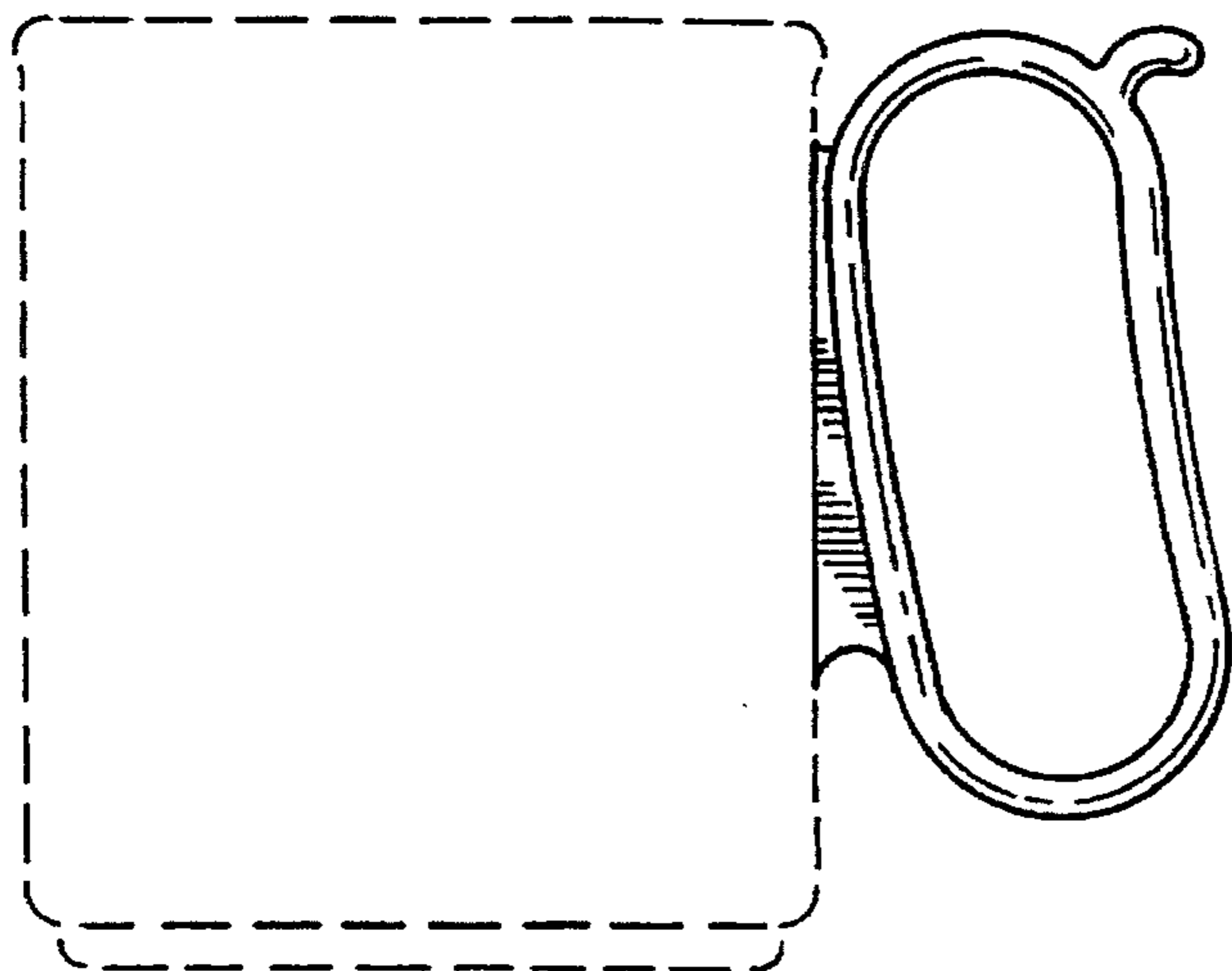
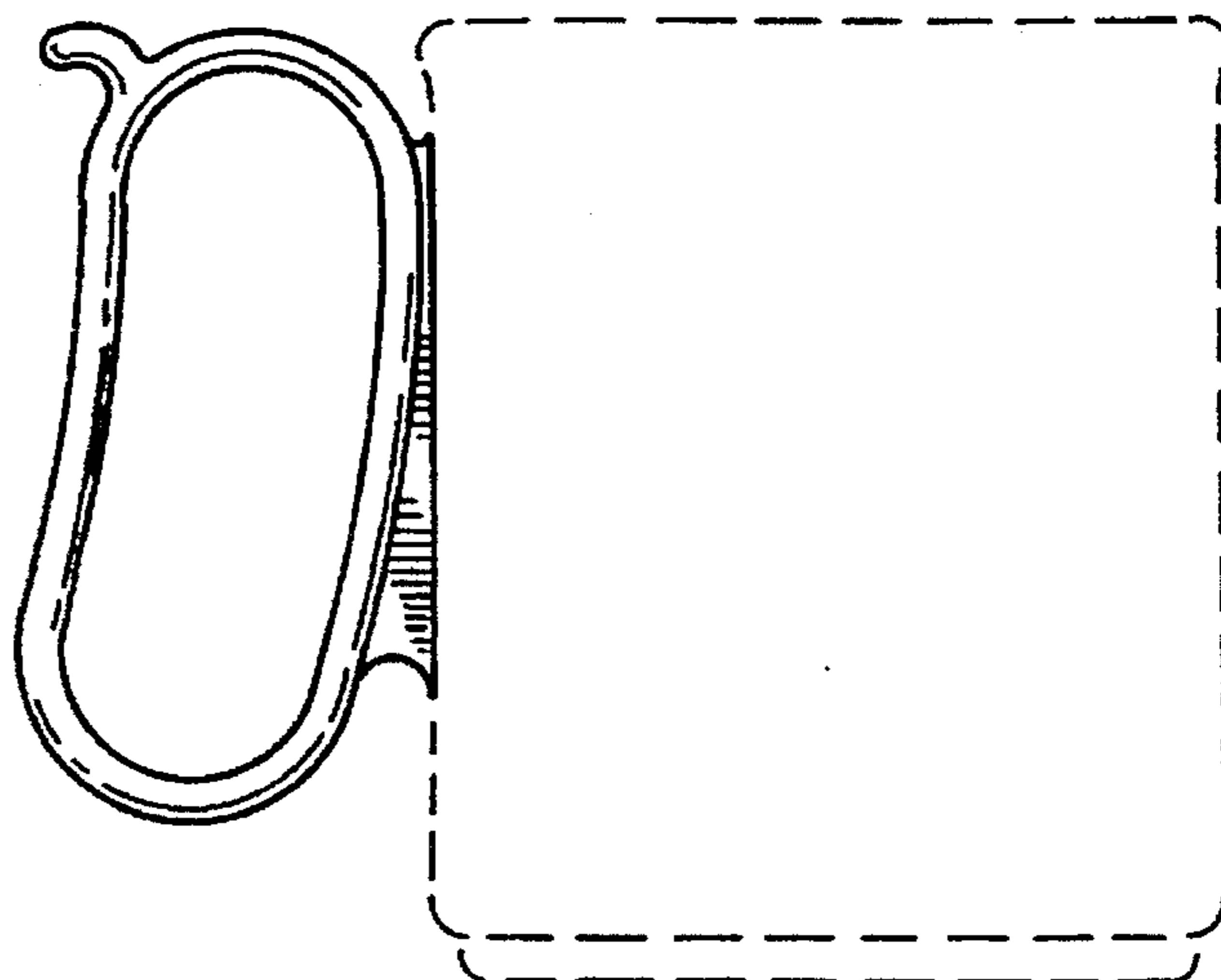


FIG. 3



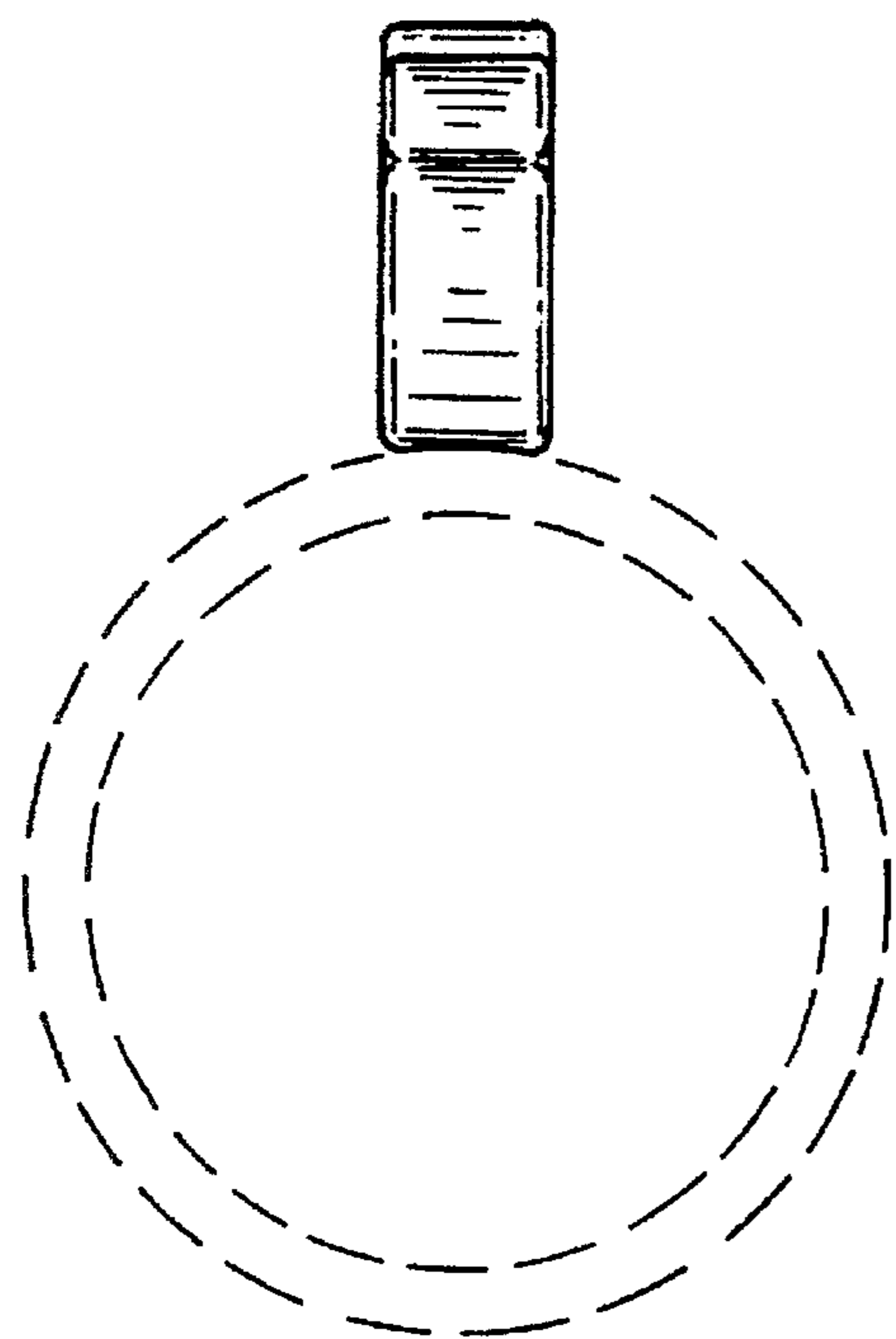


FIG. 4

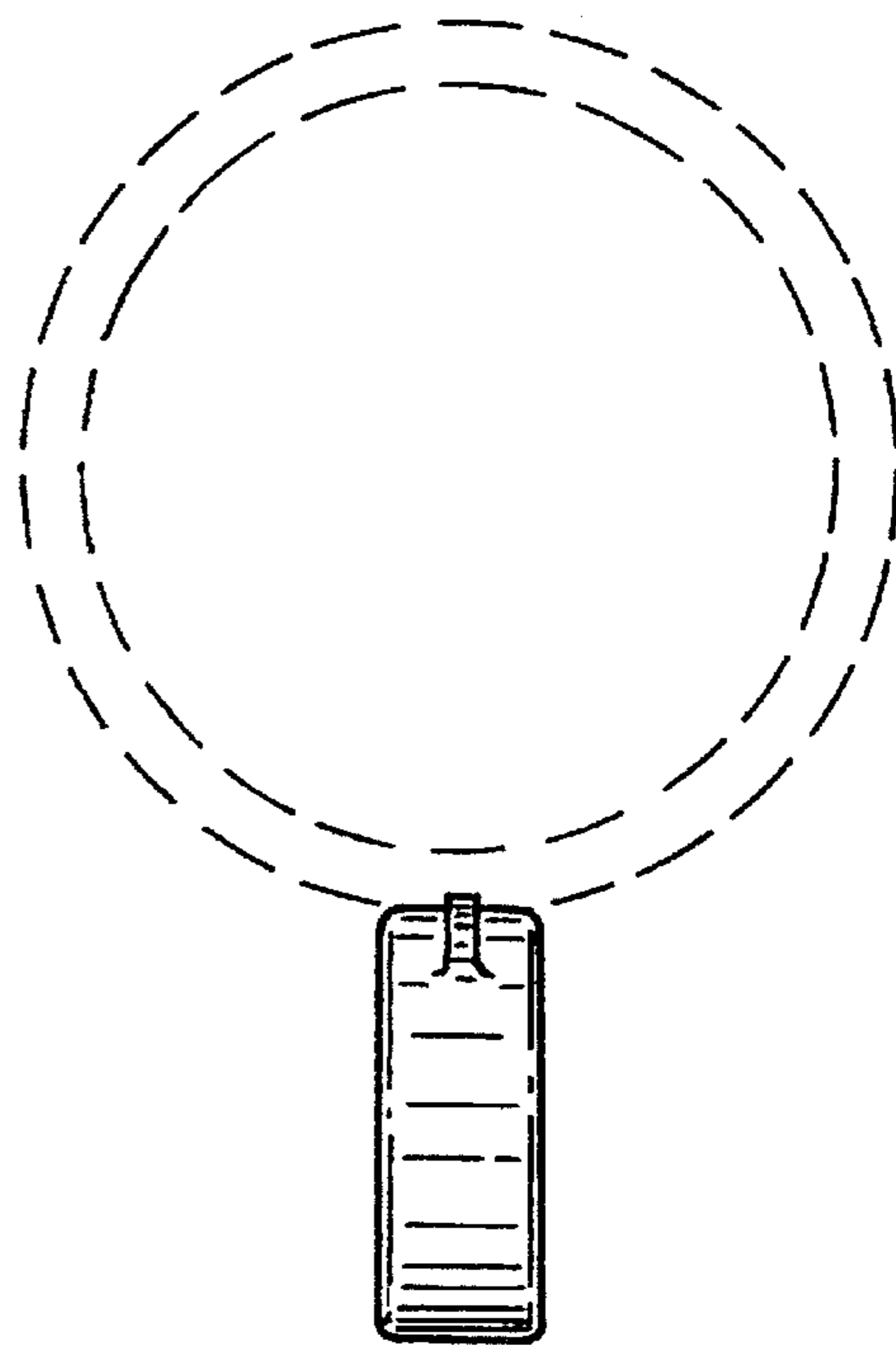


FIG. 5

FIG. 6

