



US00D380343S

**United States Patent** [19]  
**Rorke**

[11] **Patent Number: Des. 380,343**

[45] **Date of Patent: \*\*Jul. 1, 1997**

[54] **FOOD PROCESSOR**

D. 337,917 8/1993 Barrault ..... D7/384  
D. 338,134 8/1993 Hoffman ..... D7/381 X

[75] **Inventor: Anthony Brooks Rorke, Guilford, Conn.**

*Primary Examiner*—Caron D. Veynar

[73] **Assignee: Black & Decker Inc., Newark, Del.**

[57] **CLAIM**

[\*\*] **Term: 14 Years**

The ornamental design for a food processor, as shown and described.

[21] **Appl. No.: 48,984**

**DESCRIPTION**

[22] **Filed: Jan. 11, 1996**

FIG. 1 is a perspective view taken from the rear, right and top of a food processor illustrating my new design;  
FIG. 2 is a right side elevational view thereof;  
FIG. 3 is a left side elevational view thereof;  
FIG. 4 is a front elevational view thereof;  
FIG. 5 is a rear elevational view thereof;  
FIG. 6 is a top plan view thereof; and,  
FIG. 7 is a bottom plan view thereof.

[51] **LOC (6) Cl. .... 31-00**

[52] **U.S. Cl. .... D7/384**

[58] **Field of Search** ..... D7/376, 381, 382,  
D7/383, 384, 386; 241/37.5, 92, 93, 101.1,  
199.2, 282.1

[56] **References Cited**

**U.S. PATENT DOCUMENTS**

D. 309,082 7/1990 Hattle et al. .... D7/384

**1 Claim, 4 Drawing Sheets**

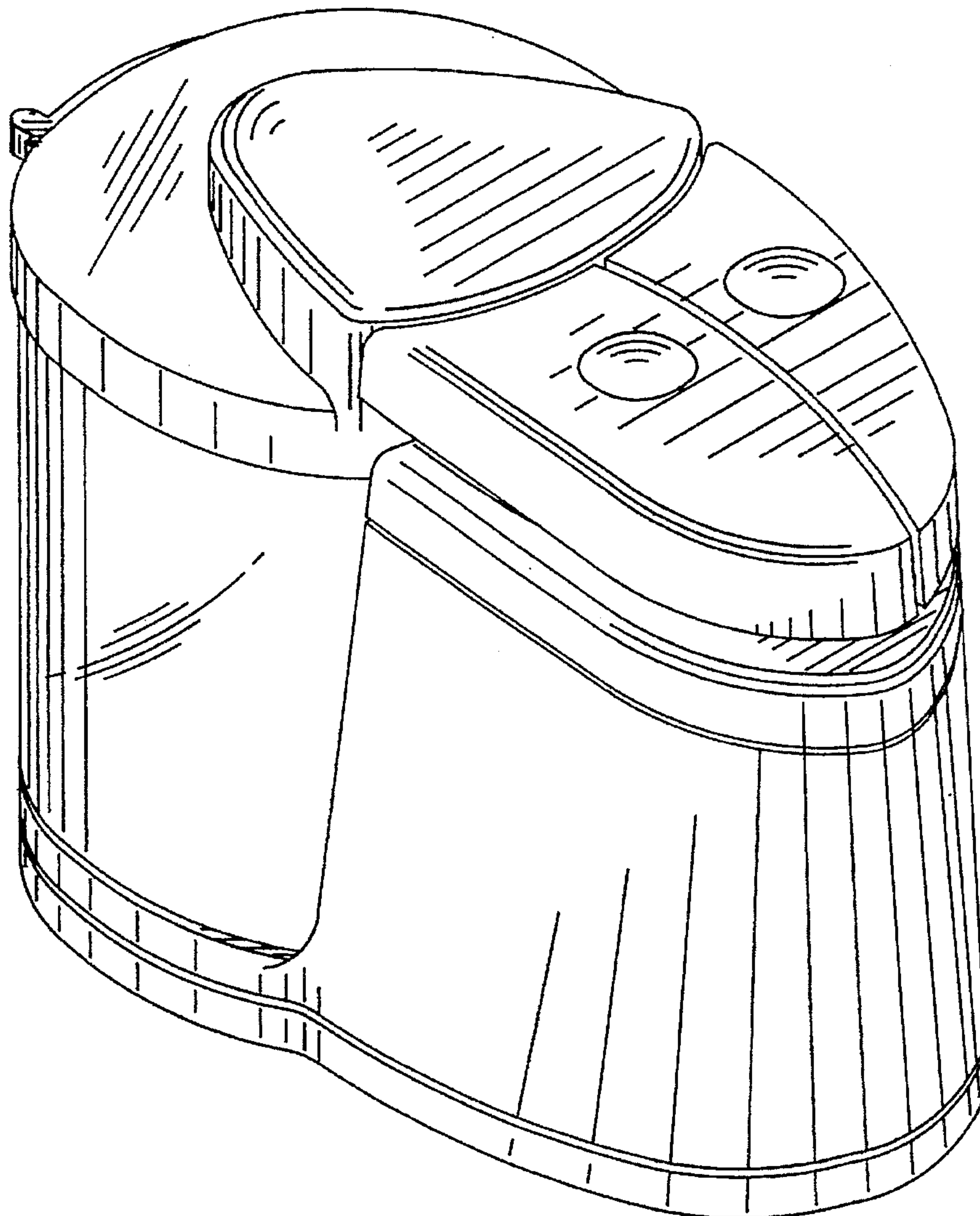


FIG. 1

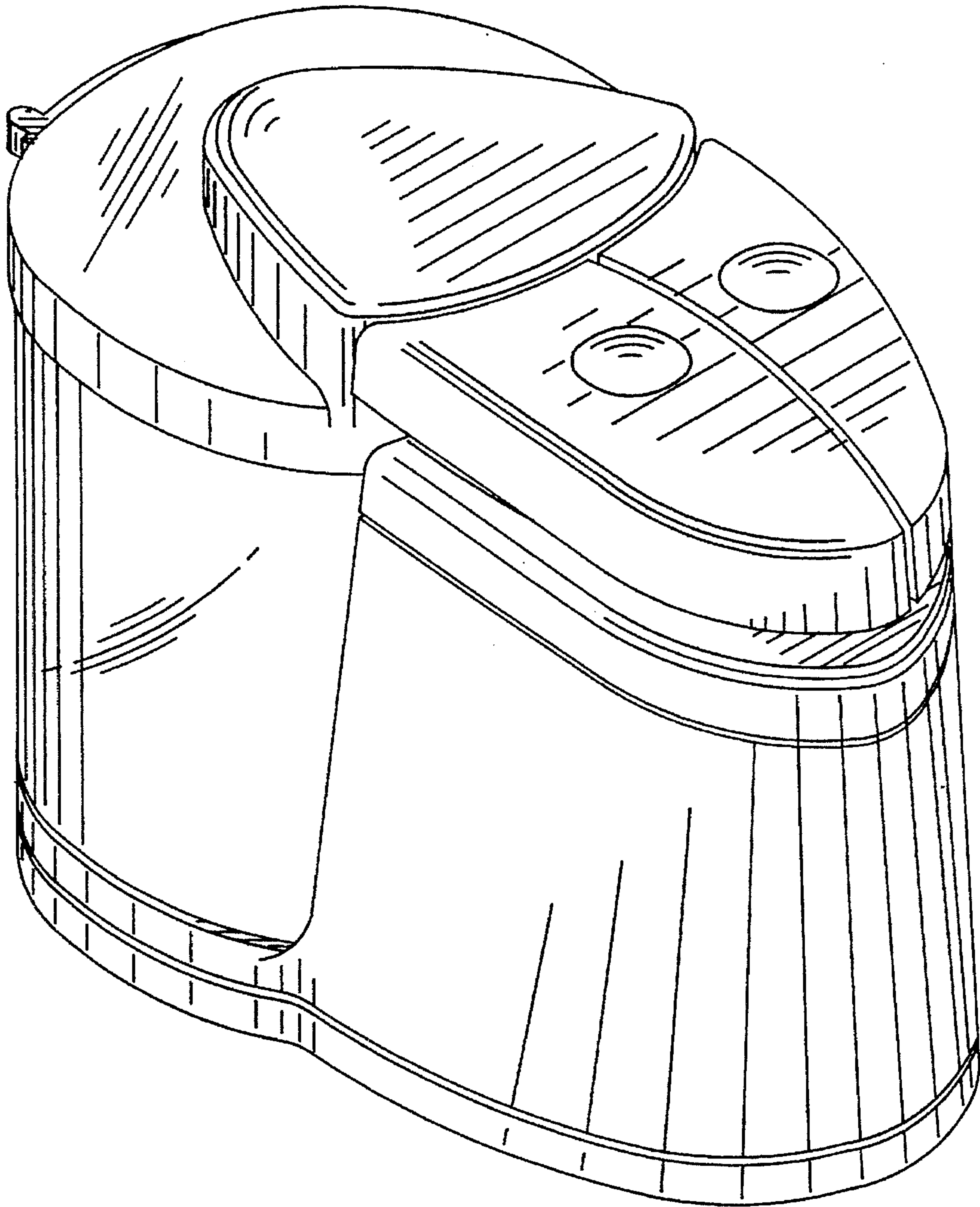


FIG. 2

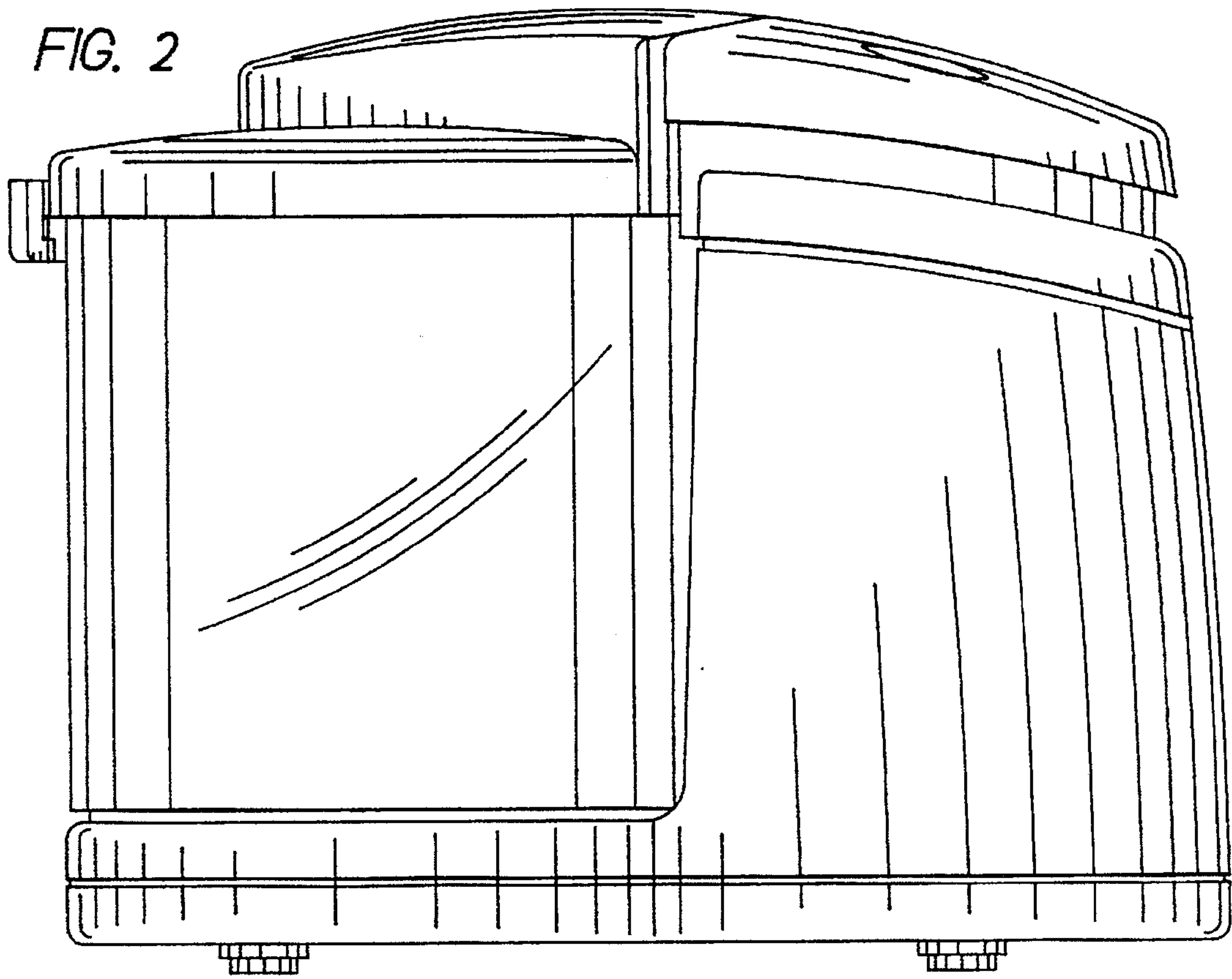


FIG. 3

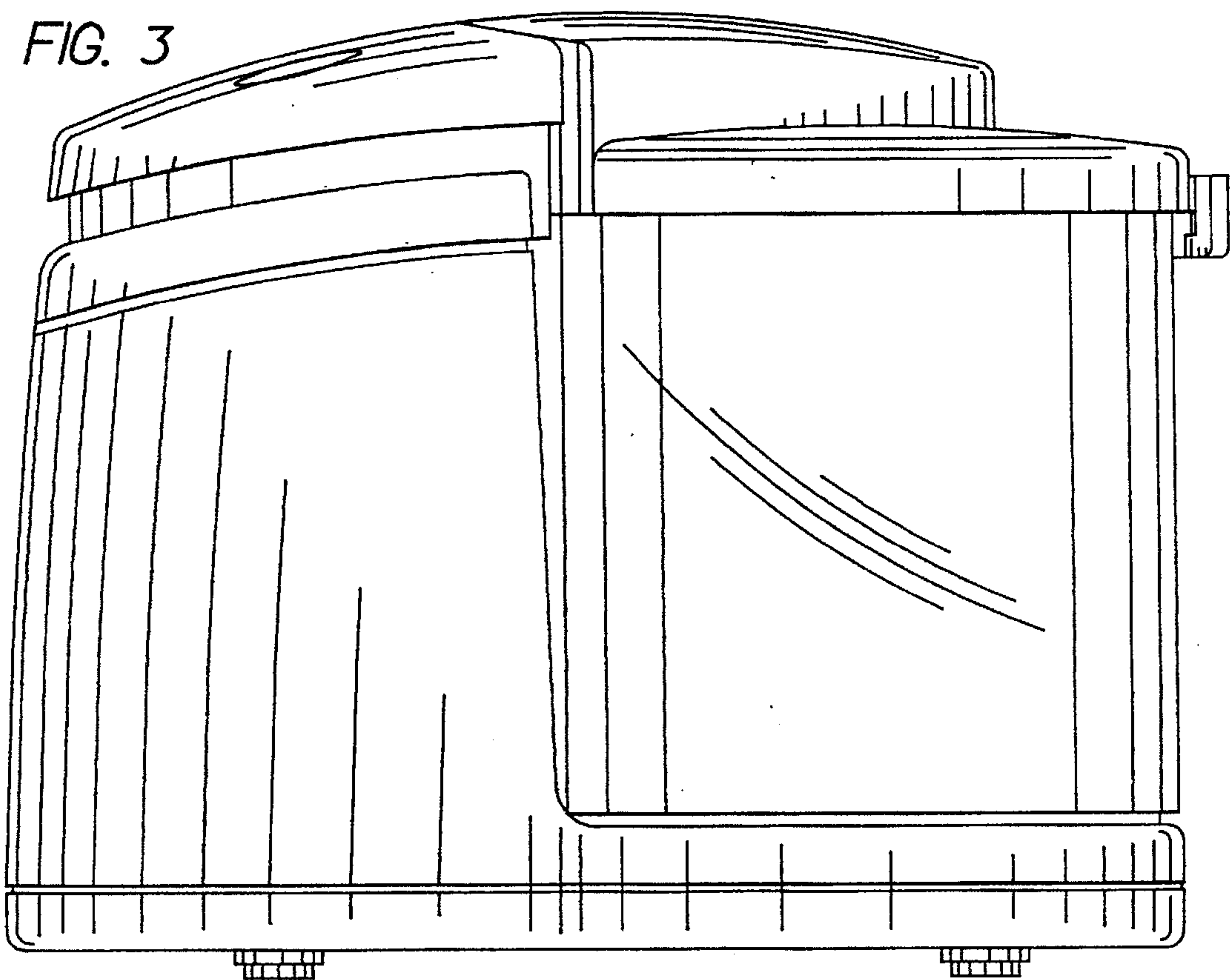




FIG. 5

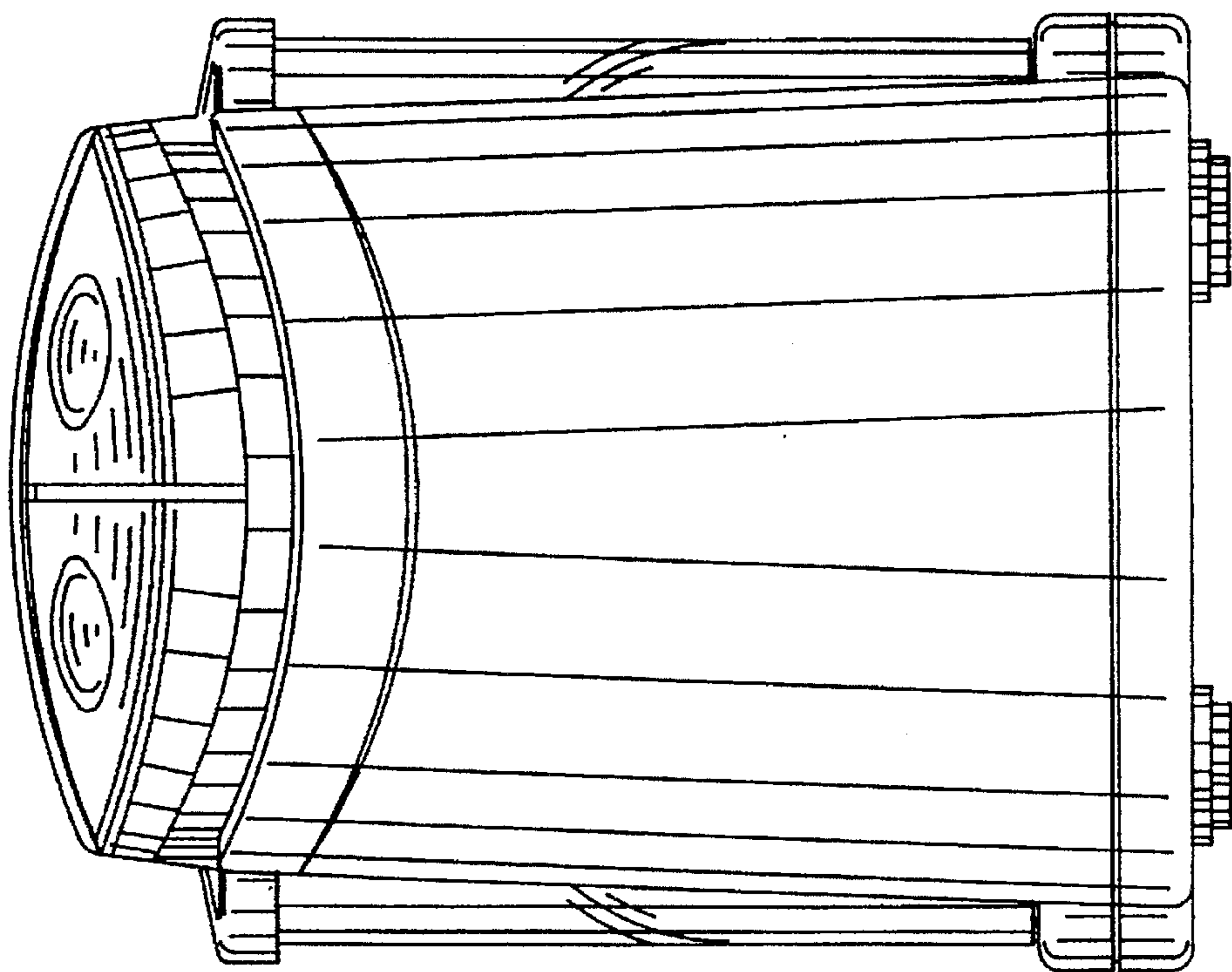


FIG. 4

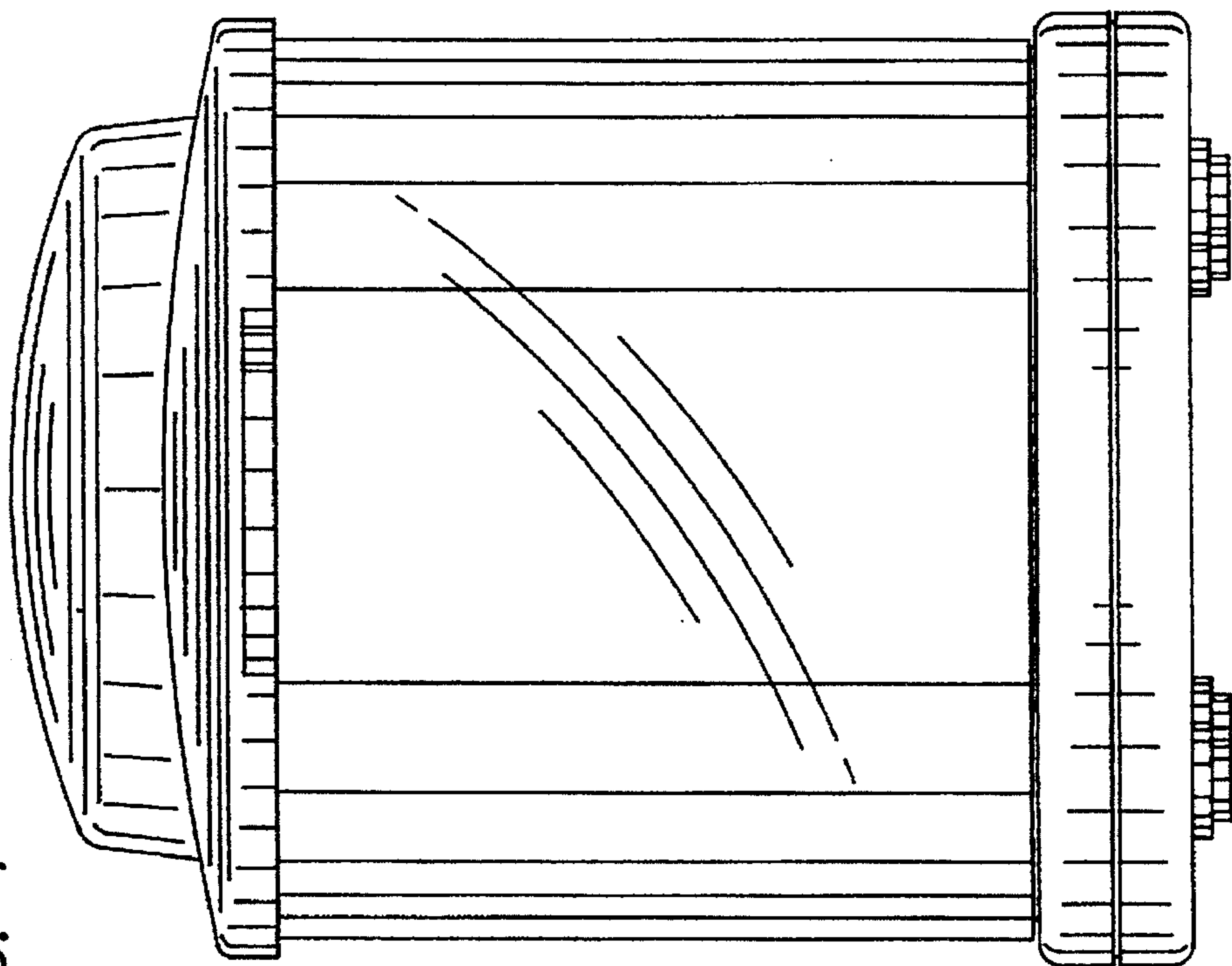


FIG. 6

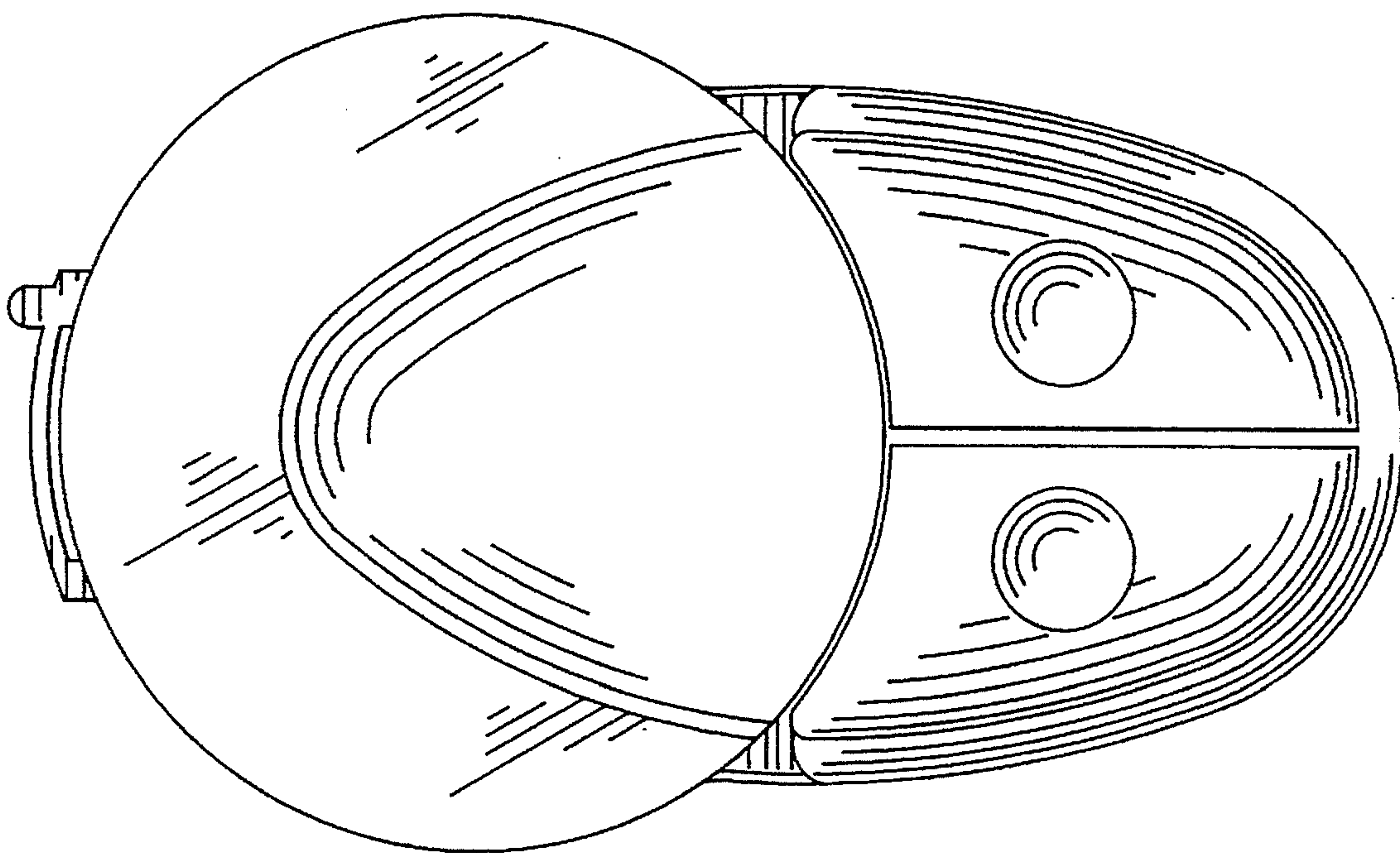


FIG. 7

