



US00D380341S

# United States Patent [19]

Naft et al.

[11] Patent Number: **Des. 380,341**

[45] Date of Patent: **\*\*Jul. 1, 1997**

[54] **FOOD STEAMER**

[75] Inventors: **Stuart Naft, Fairfield; Michael E. Laude, Southbury, both of Conn.**

[73] Assignee: **Black & Decker Inc., Newark, Del.**

[\*\*] Term: **14 Years**

[21] Appl. No.: **47,979**

[22] Filed: **Dec. 18, 1995**

[51] LOC (6) Cl. .... **07-02**

[52] U.S. Cl. .... **D7/354; D7/360; D7/356**

[58] Field of Search ..... **D7/542, 355, 605, D7/612, 354, 543, 548, 360, 538, 356, 358, 323, 402; 99/417; 220/912, 23.4; 126/25 B**

### [56] **References Cited**

#### **U.S. PATENT DOCUMENTS**

- D. 170,575 10/1953 Jepson ..... D7/360
- D. 171,552 7/1954 Pell et al. .... D7/360
- D. 178,690 9/1956 Rena ..... D7/356 X
- D. 230,935 3/1974 Lloueras ..... D7/360

- D. 241,601 9/1976 Cook ..... D7/356
- D. 297,100 8/1988 Schaller ..... D7/356
- D. 338,132 8/1993 Chang ..... D7/354 X
- D. 339,025 9/1993 Piret ..... D7/354
- D. 347,356 5/1994 Yim ..... D7/360
- D. 363,635 10/1995 Cashin et al. .... D7/323 X
- 4,509,412 4/1985 Whittenburg et al. .... D7/354 X

*Primary Examiner*—M. N. Pandozzi  
*Attorney, Agent, or Firm*—Barry E. Deutsch

### [57] **CLAIM**

The ornamental design for a food steamer, as shown and described.

### **DESCRIPTION**

FIG. 1 is a perspective view taken from the front, top, and left side of a food steamer, showing our new design; FIG. 2 is a top plan view thereof; FIG. 3 is a front elevational view thereof; FIG. 4 is a left side elevational view thereof; FIG. 5 is a right side elevational view thereof; FIG. 6 is a rear elevational view thereof; and, FIG. 7 is a bottom plan view thereof.

**1 Claim, 4 Drawing Sheets**

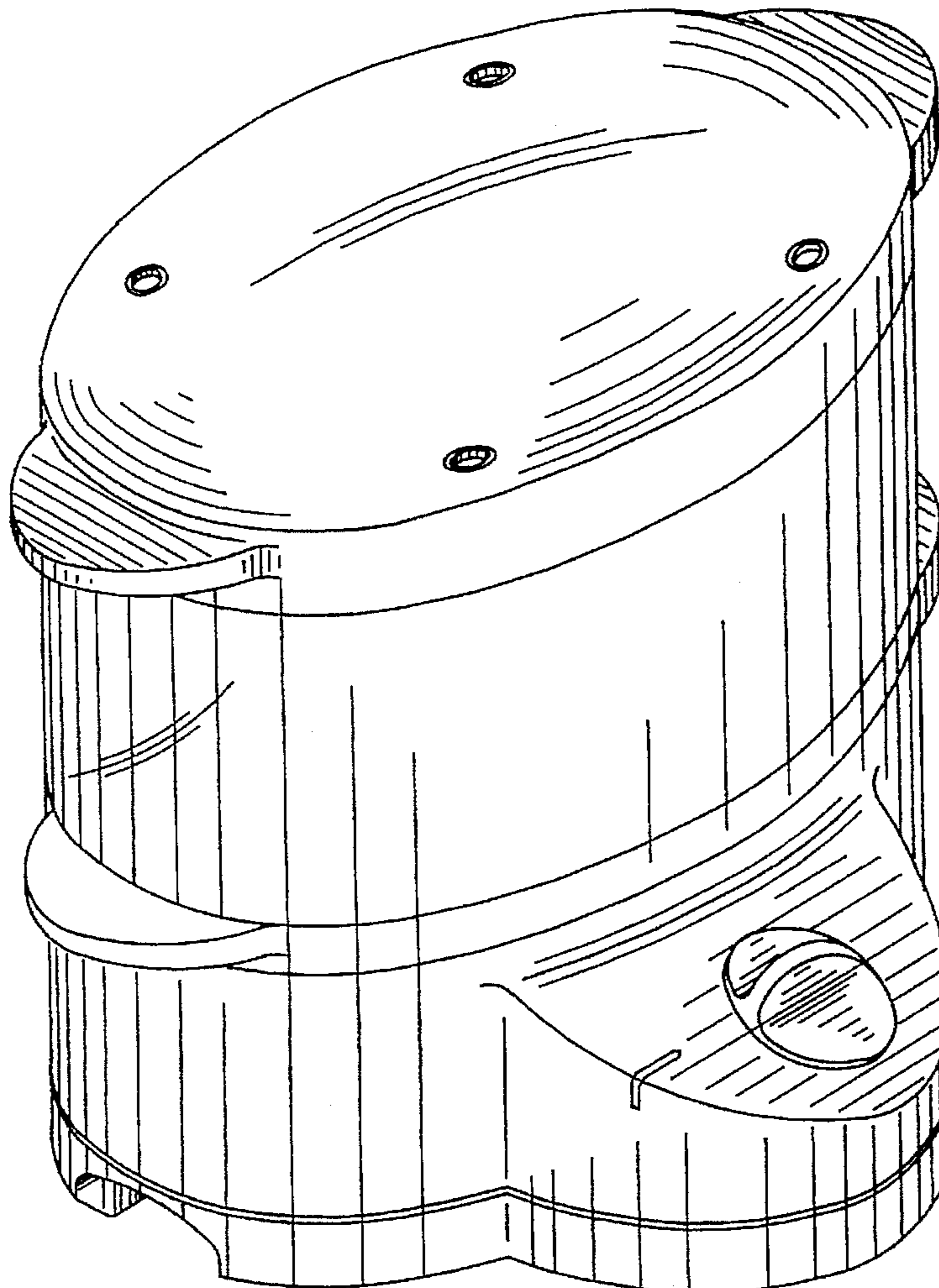


FIG. 1

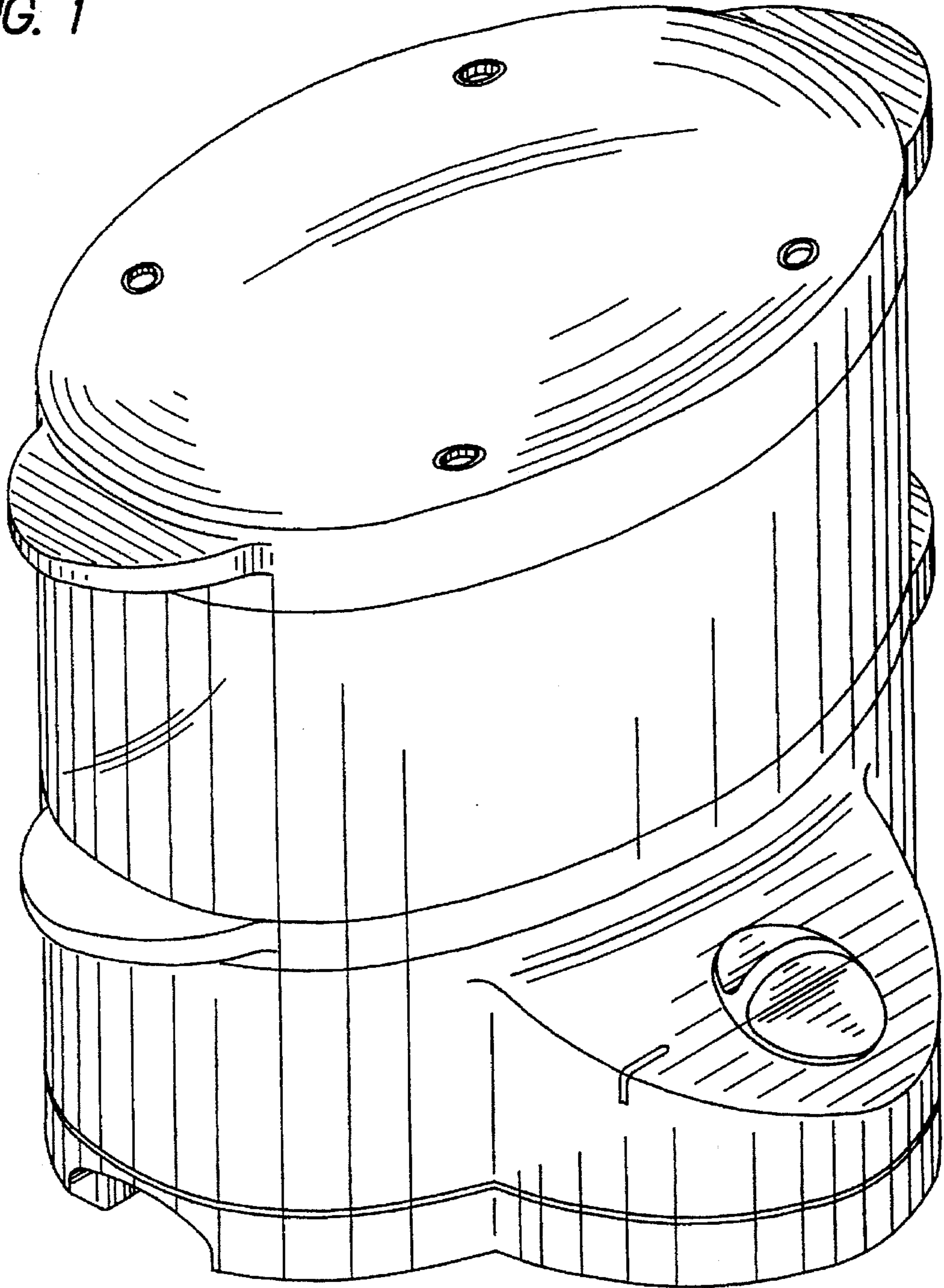


FIG. 2

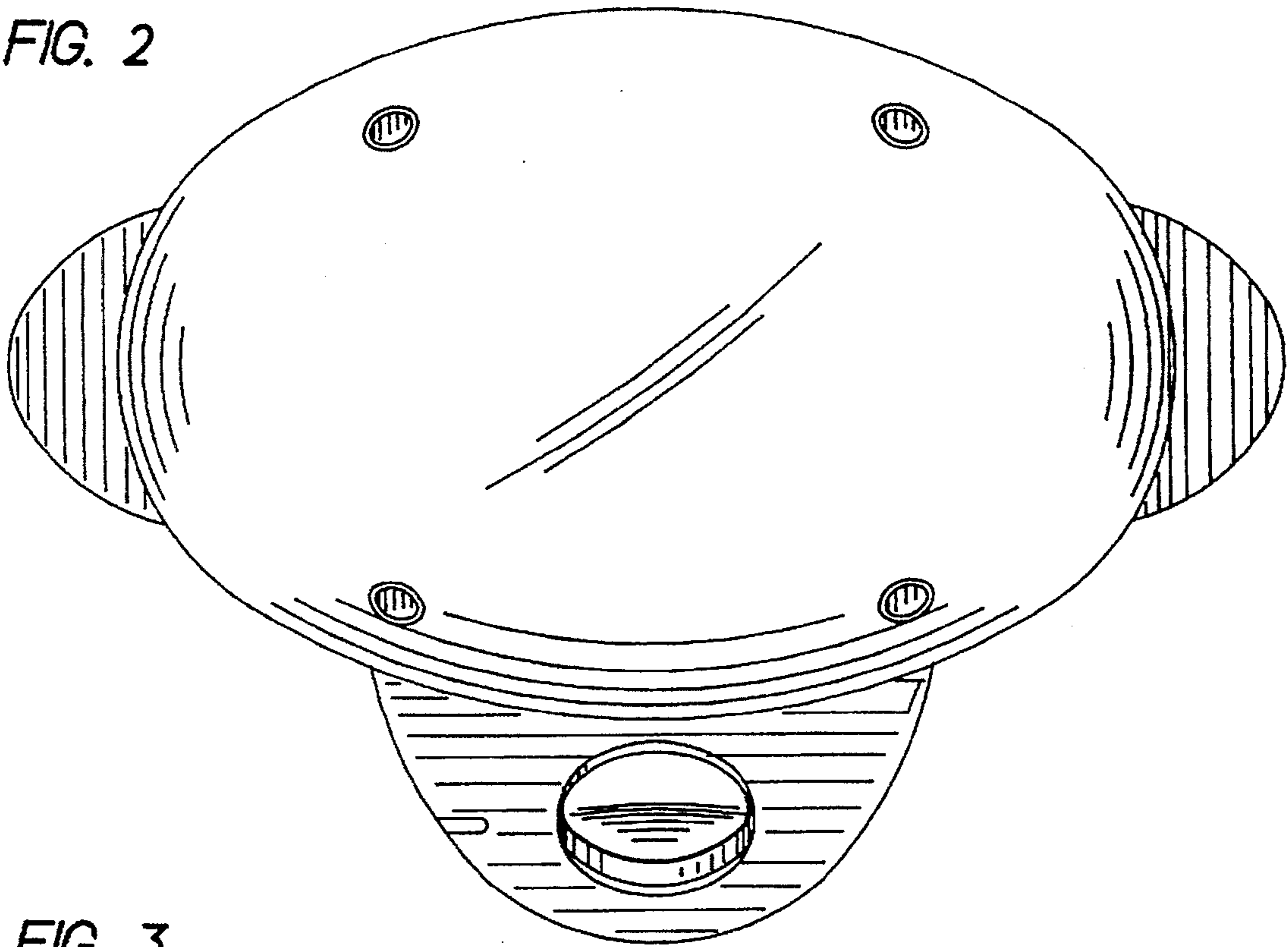


FIG. 3

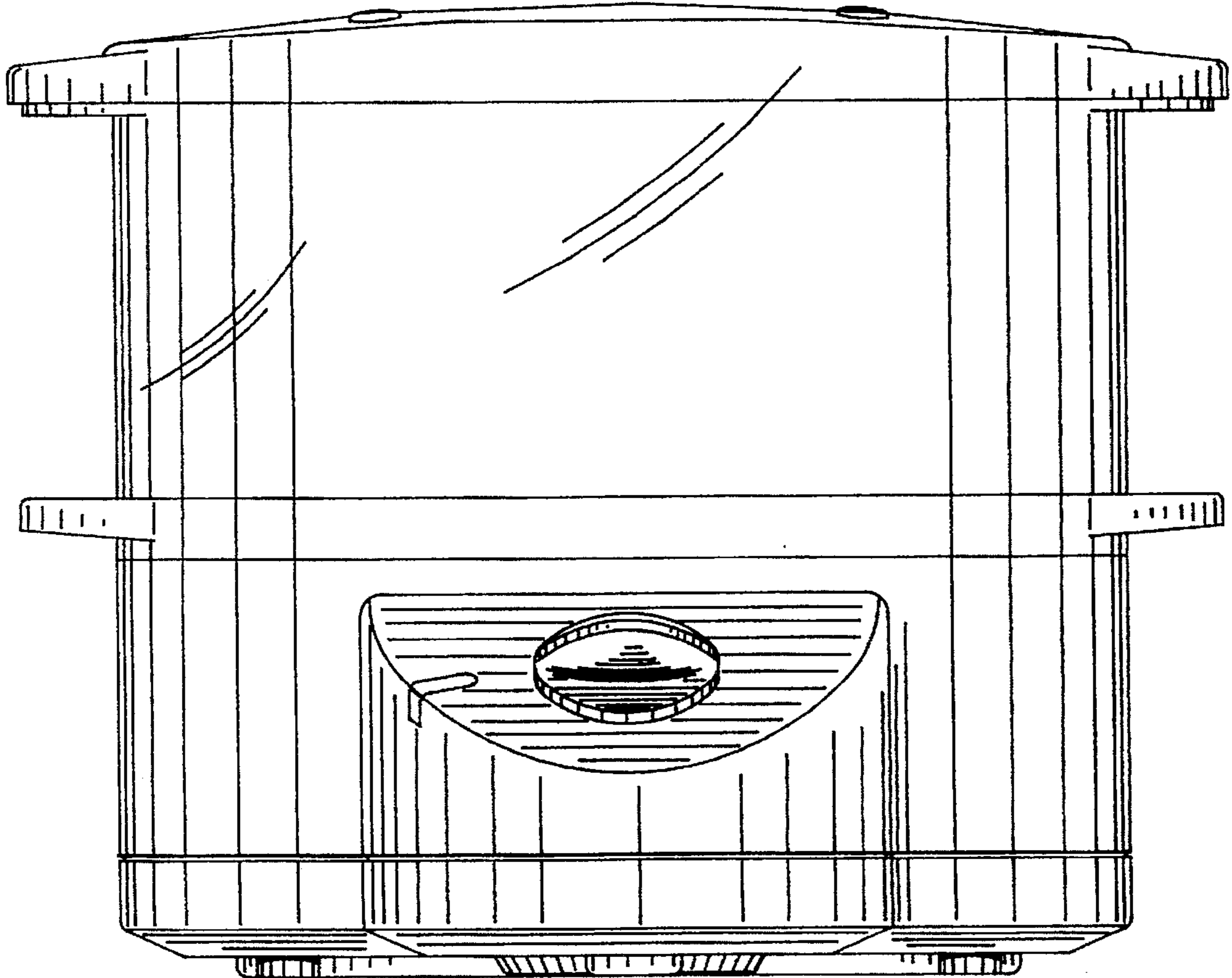


FIG. 5

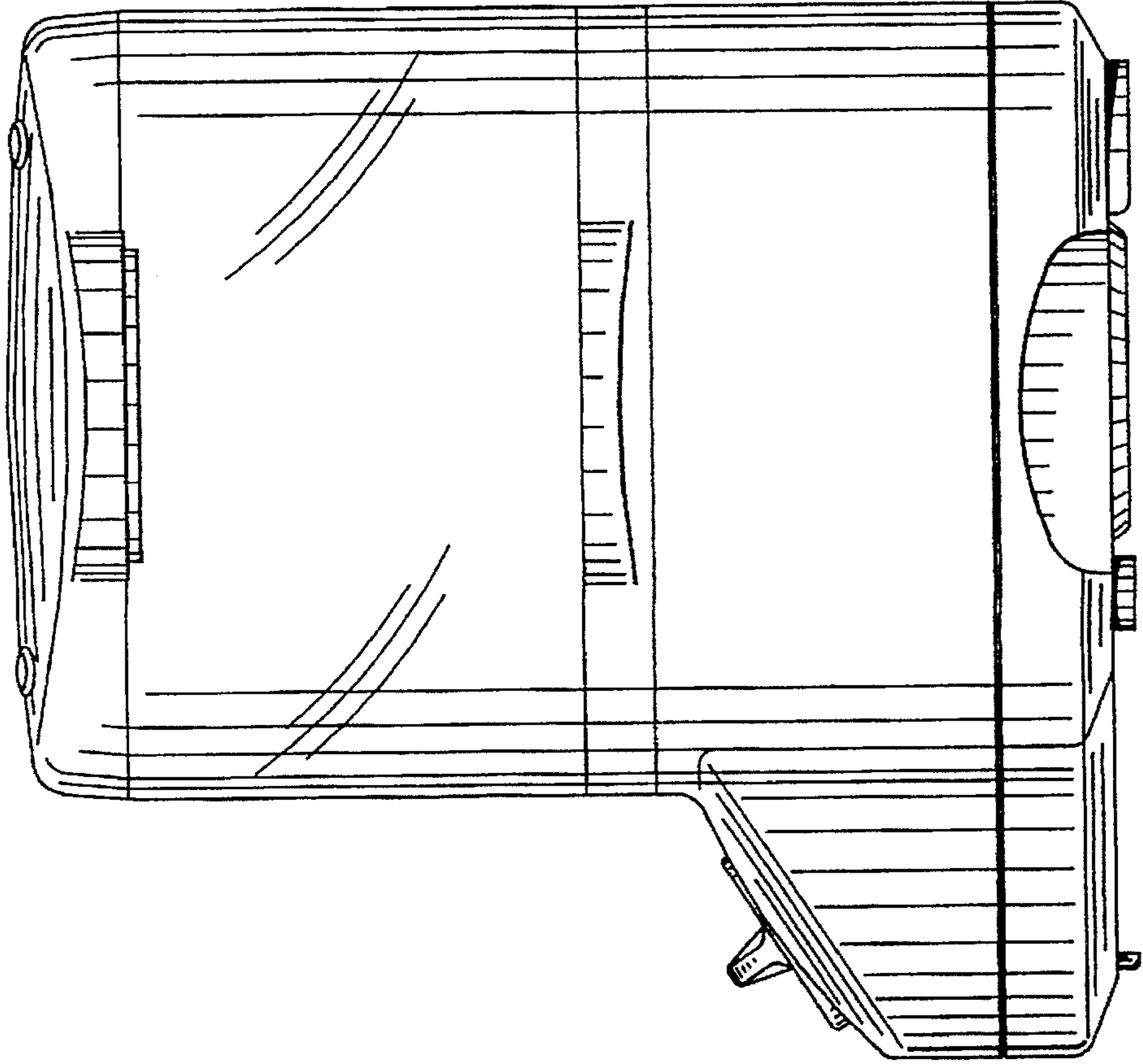


FIG. 4

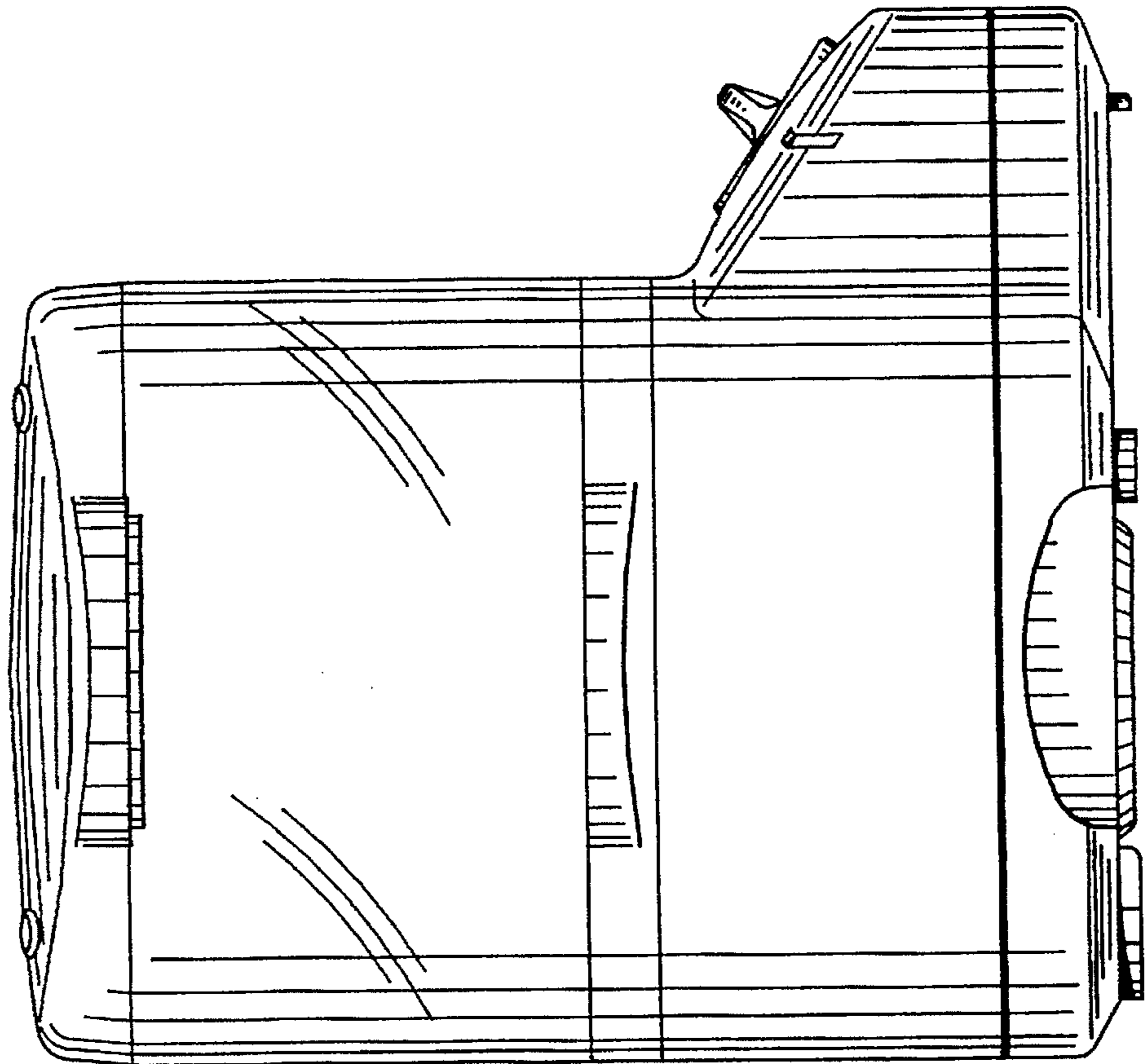


FIG. 6

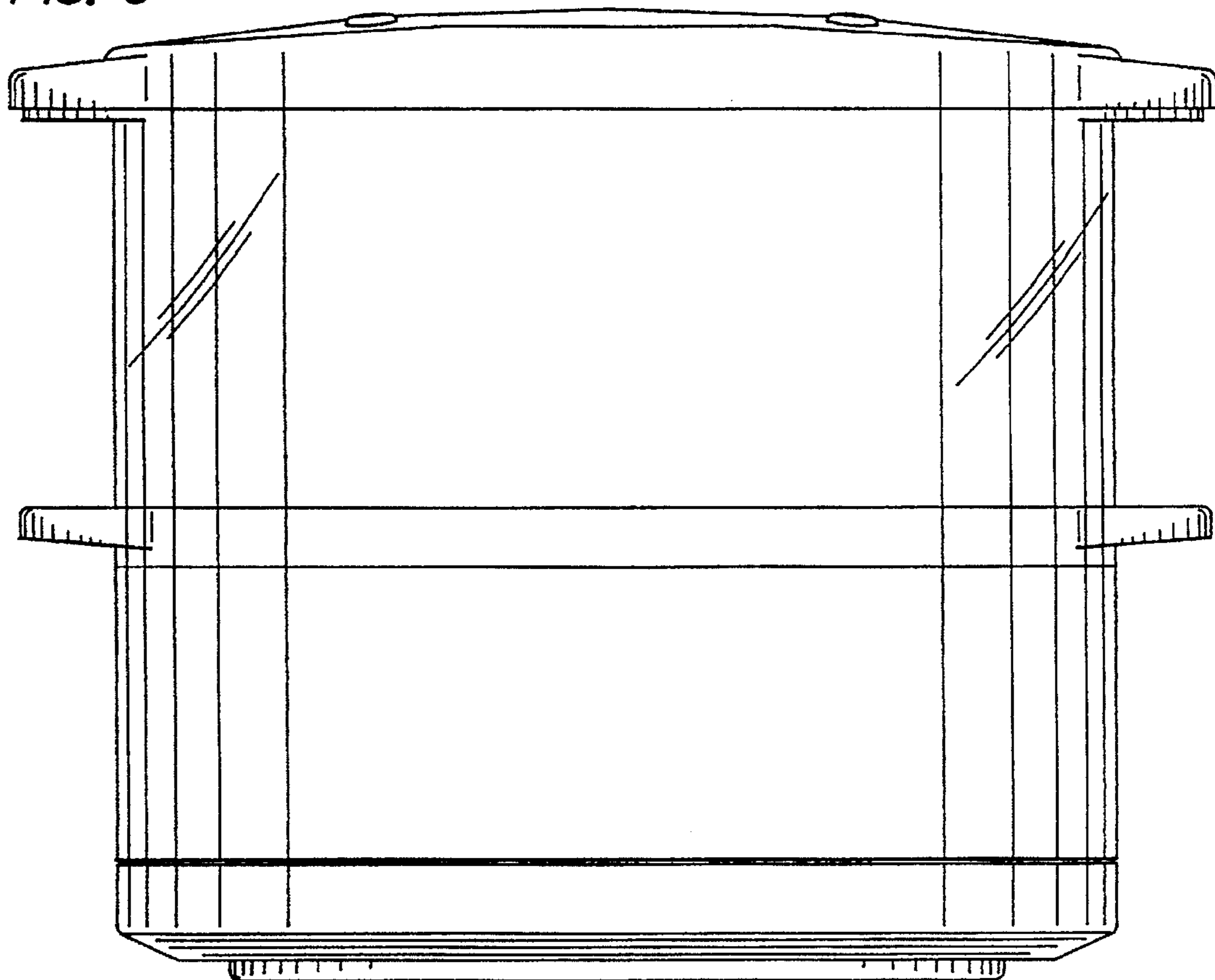


FIG. 7

