



US00D380338S

# United States Patent [19]

Carbone et al.

[11] Patent Number: Des. 380,338

[45] Date of Patent: \*\*Jul. 1, 1997

## [54] TOASTER

[75] Inventors: **Richard J. Carbone**, Southbury;  
**Anthony Brooks Rorke**, Guilford, both  
of Conn.

[73] Assignee: **Black & Decker Inc.**, Newark, Del.

[\*\*] Term: **14 Years**

[21] Appl. No.: **48,722**

[22] Filed: **Jan. 11, 1996**

[51] LOC (6) Cl. .... **07-02**

[52] U.S. Cl. .... **D7/328; D7/350**

[58] Field of Search ..... **D7/323, 328-330,**  
**D7/350, 352, 353; 99/325, 341, 348, 359,**  
**372, 374, 376, 377, 379, 467, 468; 126/275 R,**  
**275 E, 19 M, 21 R; 219/524, 525**

## [56] References Cited

### U.S. PATENT DOCUMENTS

- D. 364,070 11/1995 Klein et al. .... D7/350
- D. 367,993 3/1996 McClean ..... D7/328 X

## OTHER PUBLICATIONS

Home Furnishings Daily; Section 2; Oct. 2, 1975; p. 4;  
Mirro-Matic Whiz-grid Speed Grill.  
Hong Kong Enterprise; Oct. 1982; p. 249; Snack/Sandwich  
Maker top left of page.

*Primary Examiner*—Caron D. Veynar  
*Attorney, Agent, or Firm*—Barry E. Deutsch

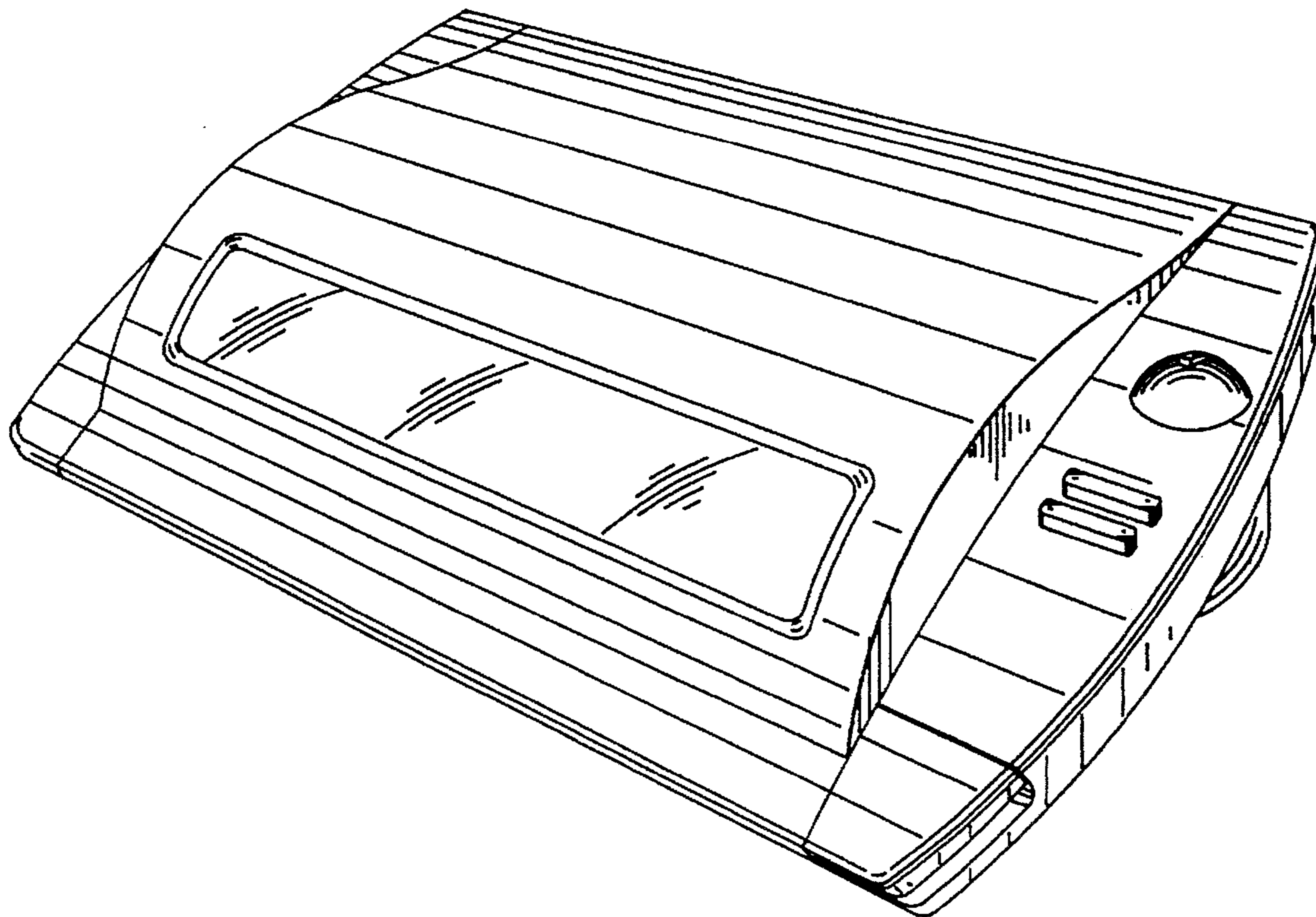
## [57] CLAIM

The ornamental design for a toaster, as shown and described.

## DESCRIPTION

FIG. 1 is a perspective view of a toaster taken from the front,  
top and right side thereof;  
FIG. 2 is a front elevational view thereof;  
FIG. 3 is a top plan view thereof;  
FIG. 4 is a rear elevational view thereof;  
FIG. 5 is a bottom plan view thereof;  
FIG. 6 is a right side elevational view thereof; and,  
FIG. 7 is a left side elevational view thereof.

**1 Claim, 4 Drawing Sheets**



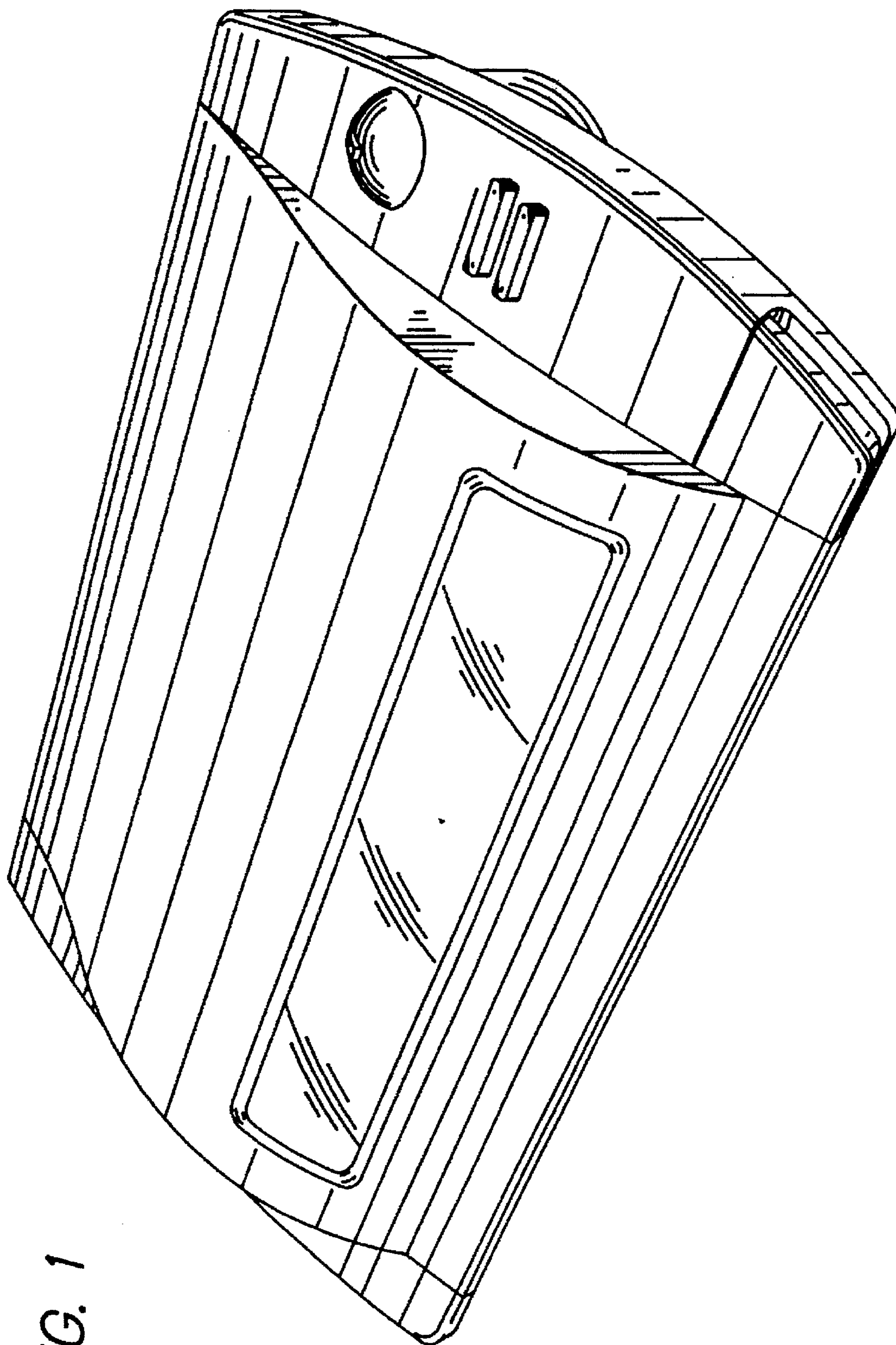


FIG. 1

FIG. 2

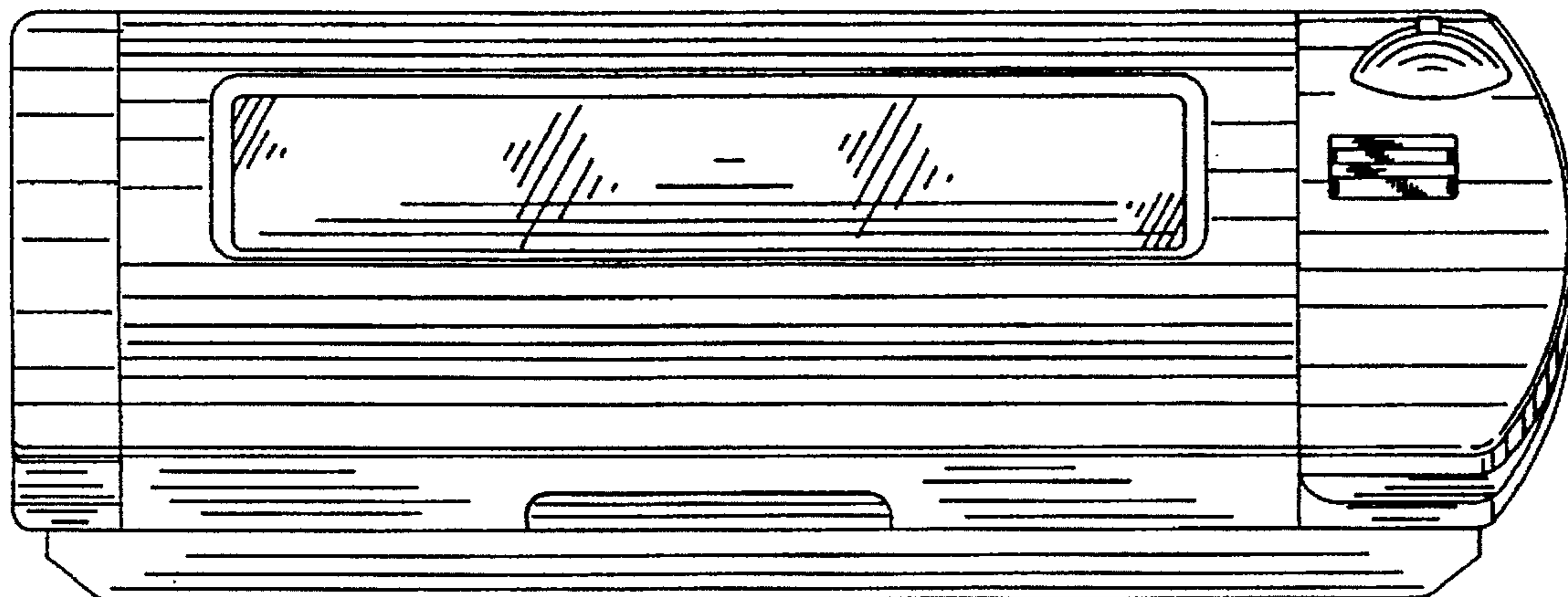


FIG. 3

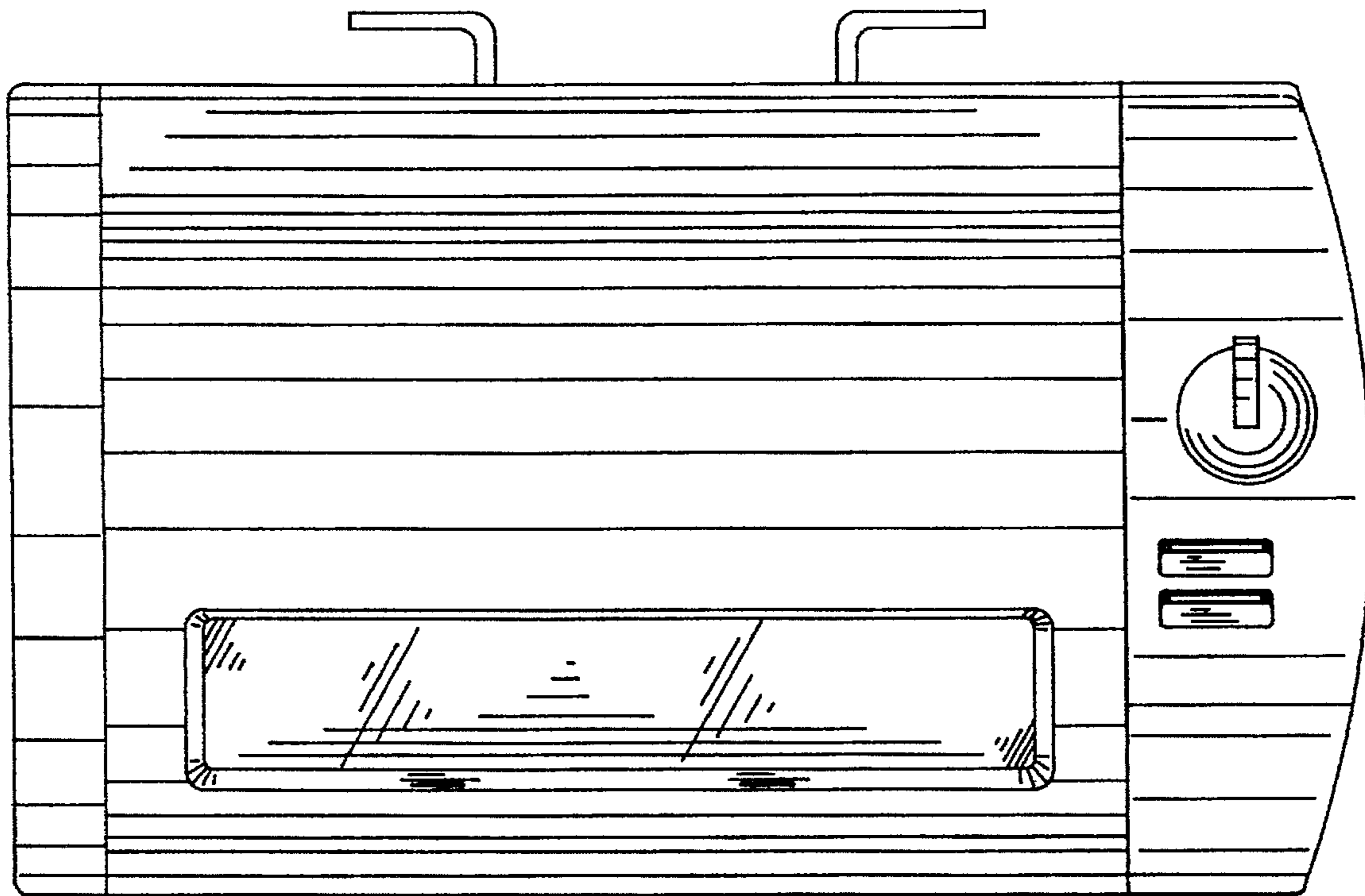




FIG. 4

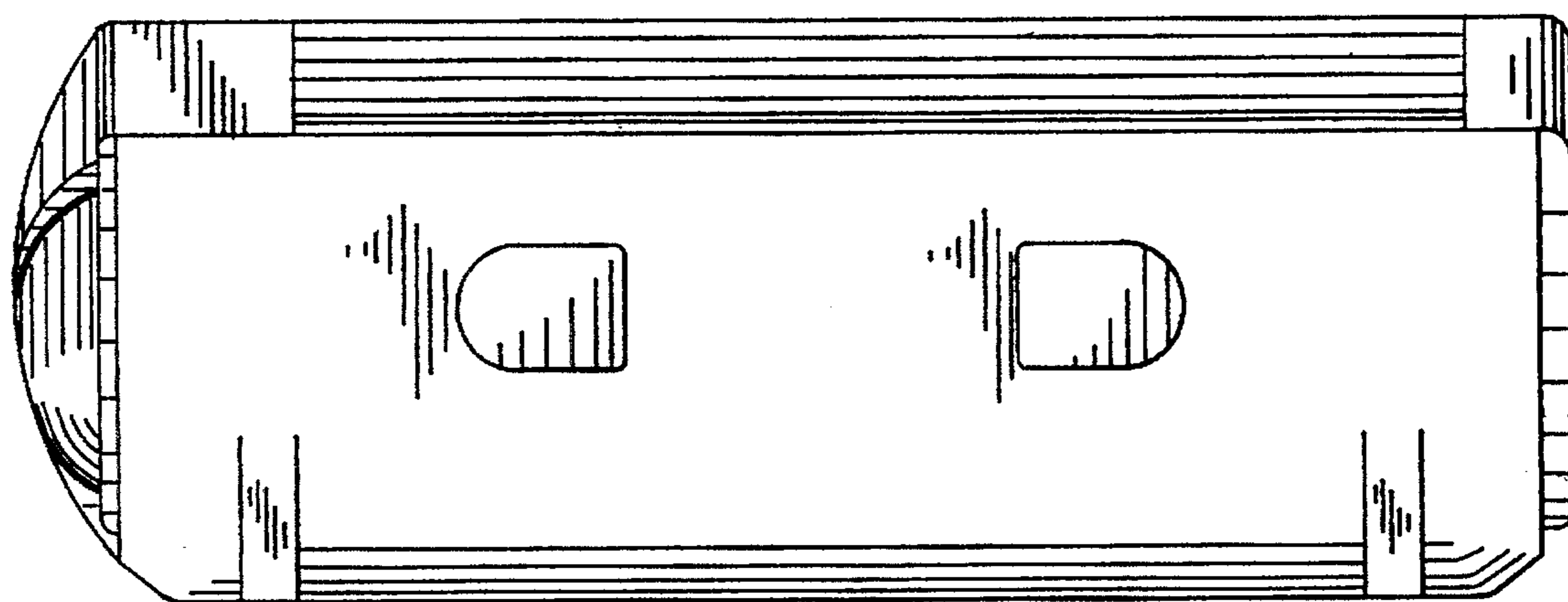


FIG. 5

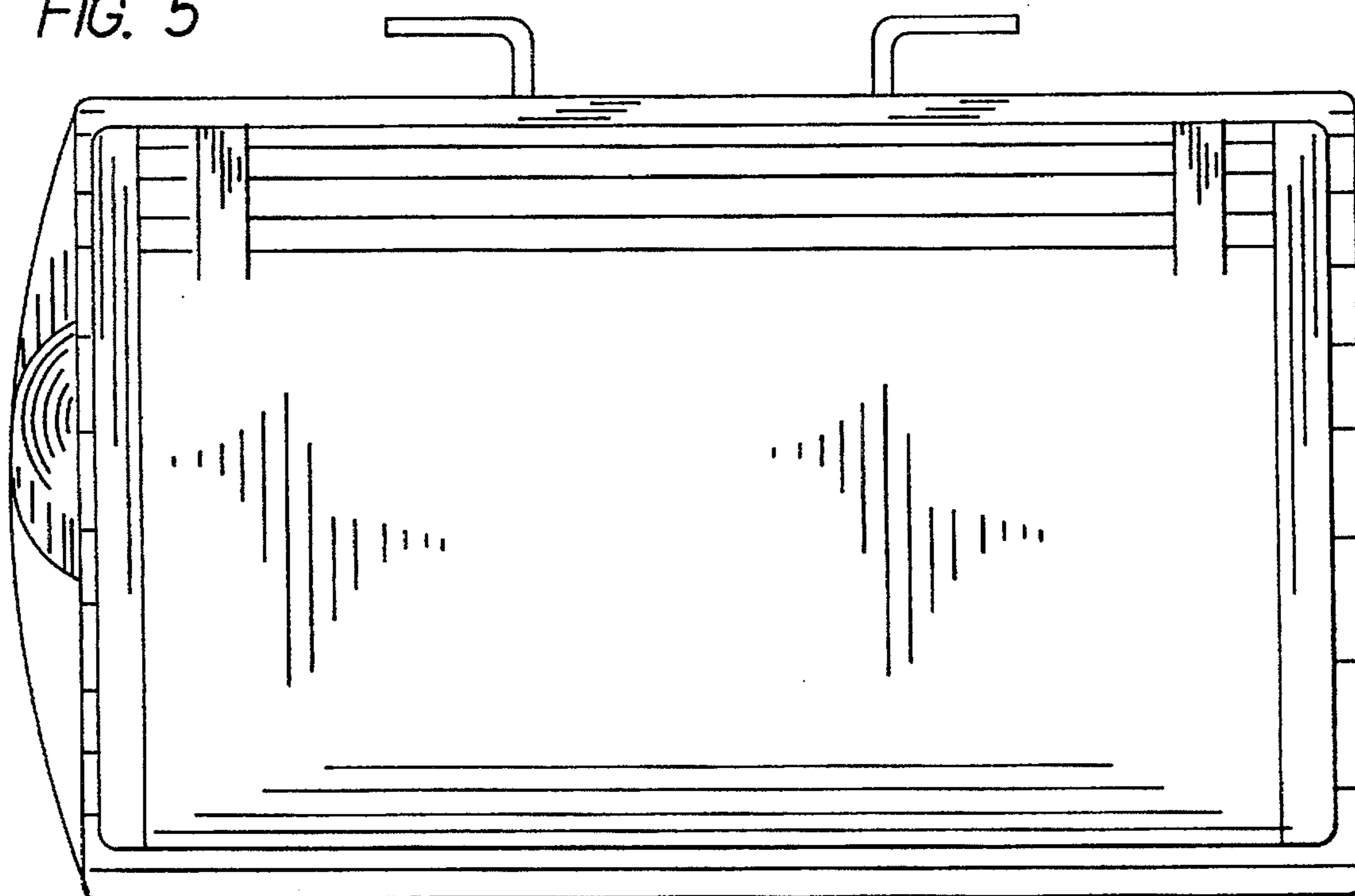


FIG. 6

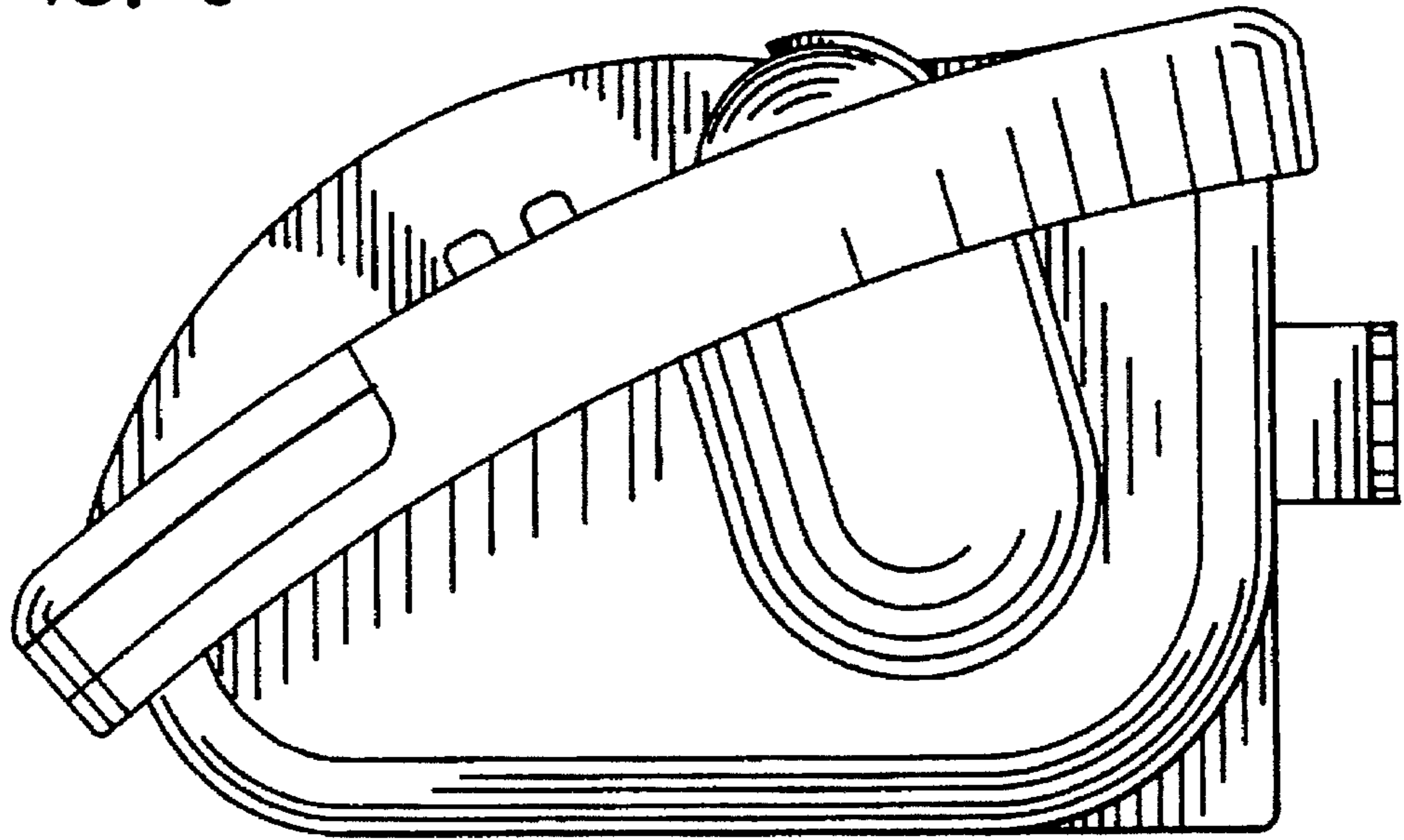


FIG. 7

