



US00D380337S

United States Patent [19] Lien

[11] Patent Number: **Des. 380,337**
[45] Date of Patent: ****Jul. 1, 1997**

[54] **KETTLE**
[75] Inventor: **Chang-hsing Lien**, Taipei, Taiwan
[73] Assignee: **Action Overseas Co., Ltd.**, Taipei, Taiwan
[**] Term: **14 Years**
[21] Appl. No.: **51,889**
[22] Filed: **Mar. 19, 1996**
[51] LOC (6) Cl. **07-01**
[52] U.S. Cl. **D7/322; D7/321**
[58] Field of Search **D7/300, 312, 316, D7/317, 318, 319, 320, 321, 322, 302, 608, 600, 598; 99/295**

D. 342,640 12/1993 Lebowitz D7/322
D. 360,101 7/1995 Lee D7/321 X
D. 361,692 8/1995 Lee D7/321 X

OTHER PUBLICATIONS

Copco Tea Pot (bottom left) Bloomingdales p. 9 Oct. 1982.

Primary Examiner—M. N. Pandozzi
Attorney, Agent, or Firm—Morton J. Rosenberg; David I. Klein

CLAIM

[57] The ornamental design for a kettle, as shown and described.

DESCRIPTION

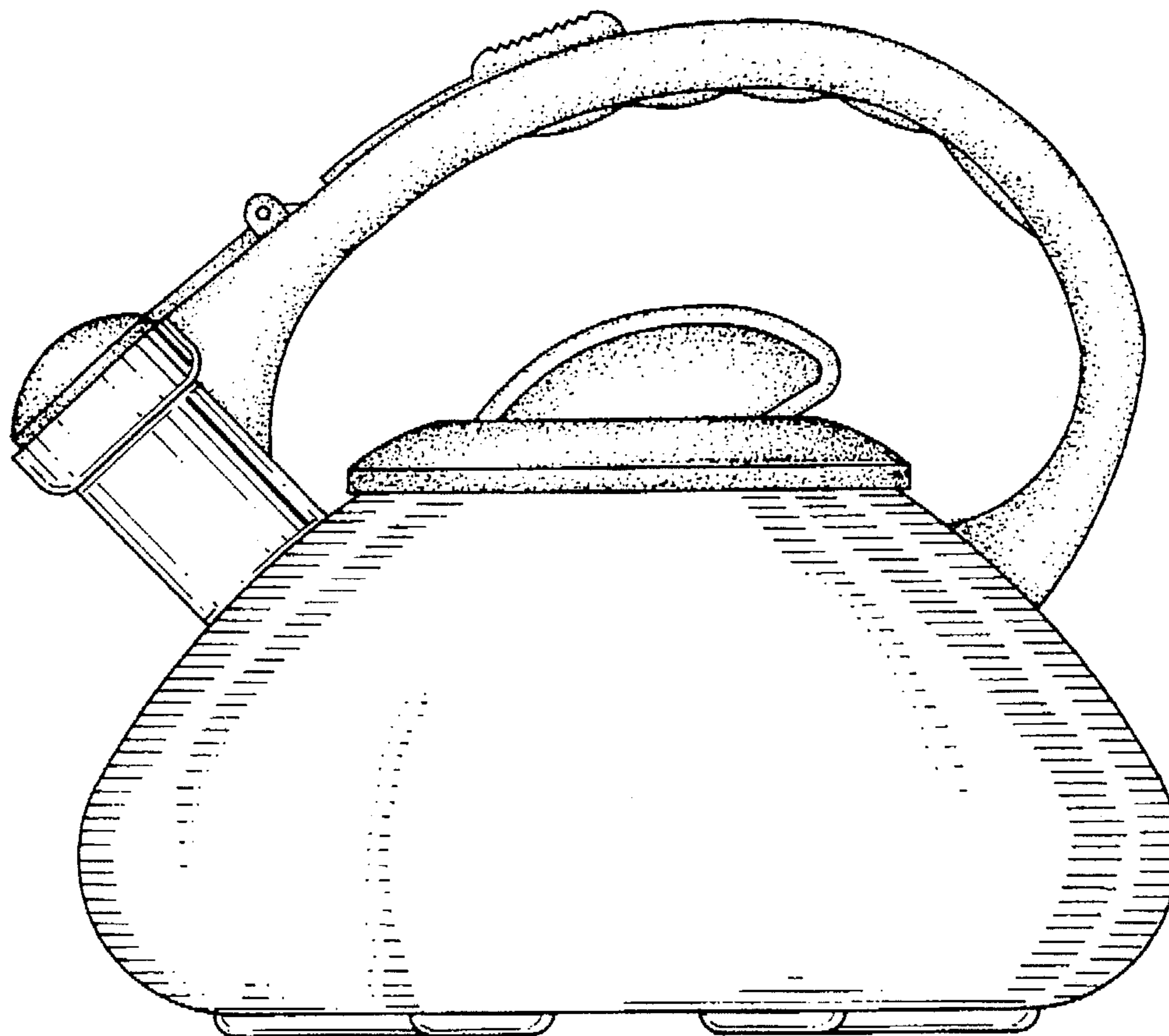
FIG.1 is a front-right-top perspective view of a kettle showing my design;
FIG. 2 is a right side view thereof and the left side view is a mirror image of the right side view;
FIG. 3 is a rear view thereof;
FIG. 4 is a rear view thereof;
FIG. 5 is a top view thereof; and,
FIG. 6 is a bottom view thereof.

References Cited

U.S. PATENT DOCUMENTS

D. 274,595 7/1984 Lebowitz D7/322
D. 282,810 3/1986 Urich D7/322
D. 336,006 6/1993 Lebowitz D7/312 X
D. 336,013 6/1993 Lebowitz D7/312 X

1 Claim, 3 Drawing Sheets



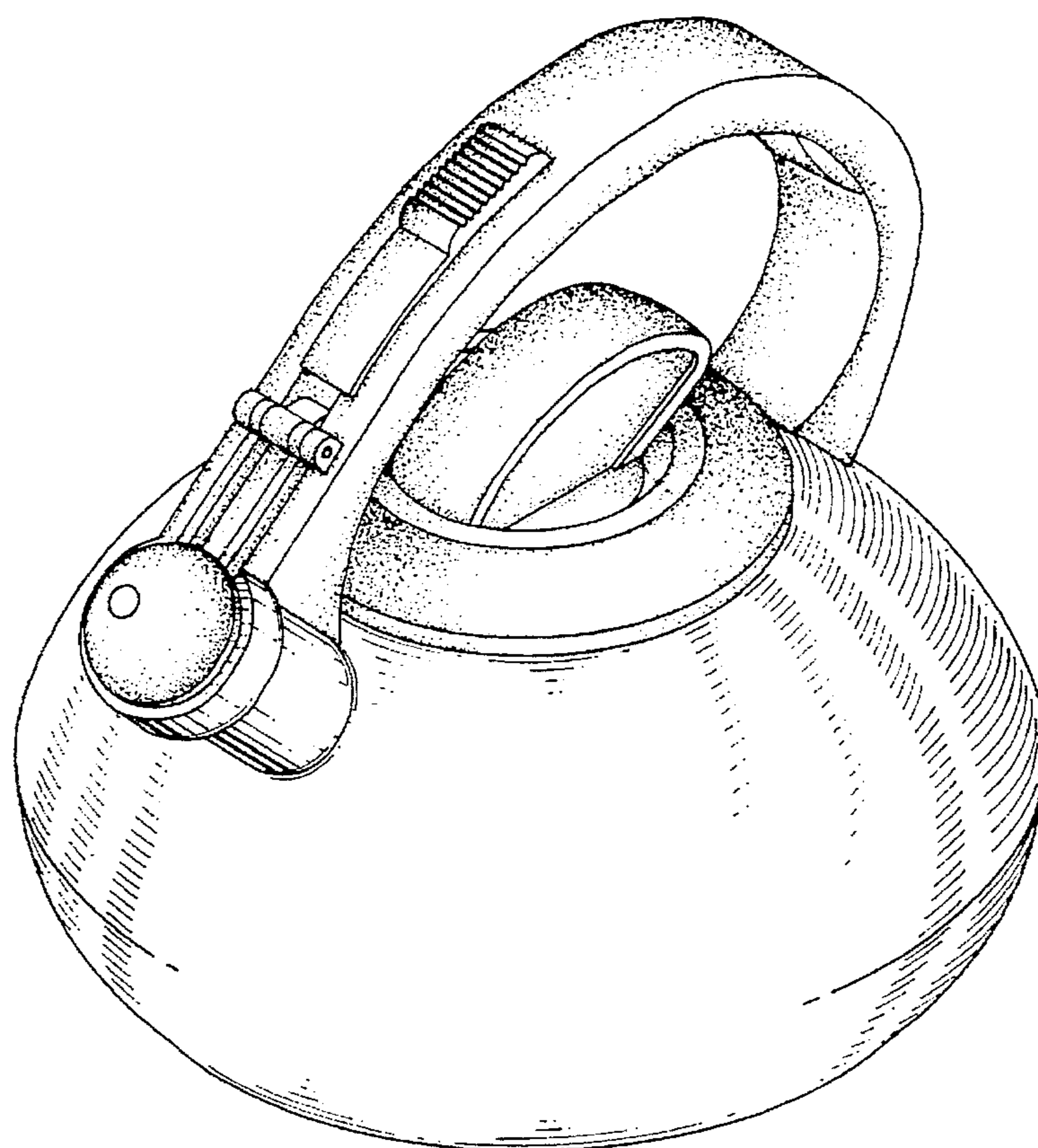


FIG. 1

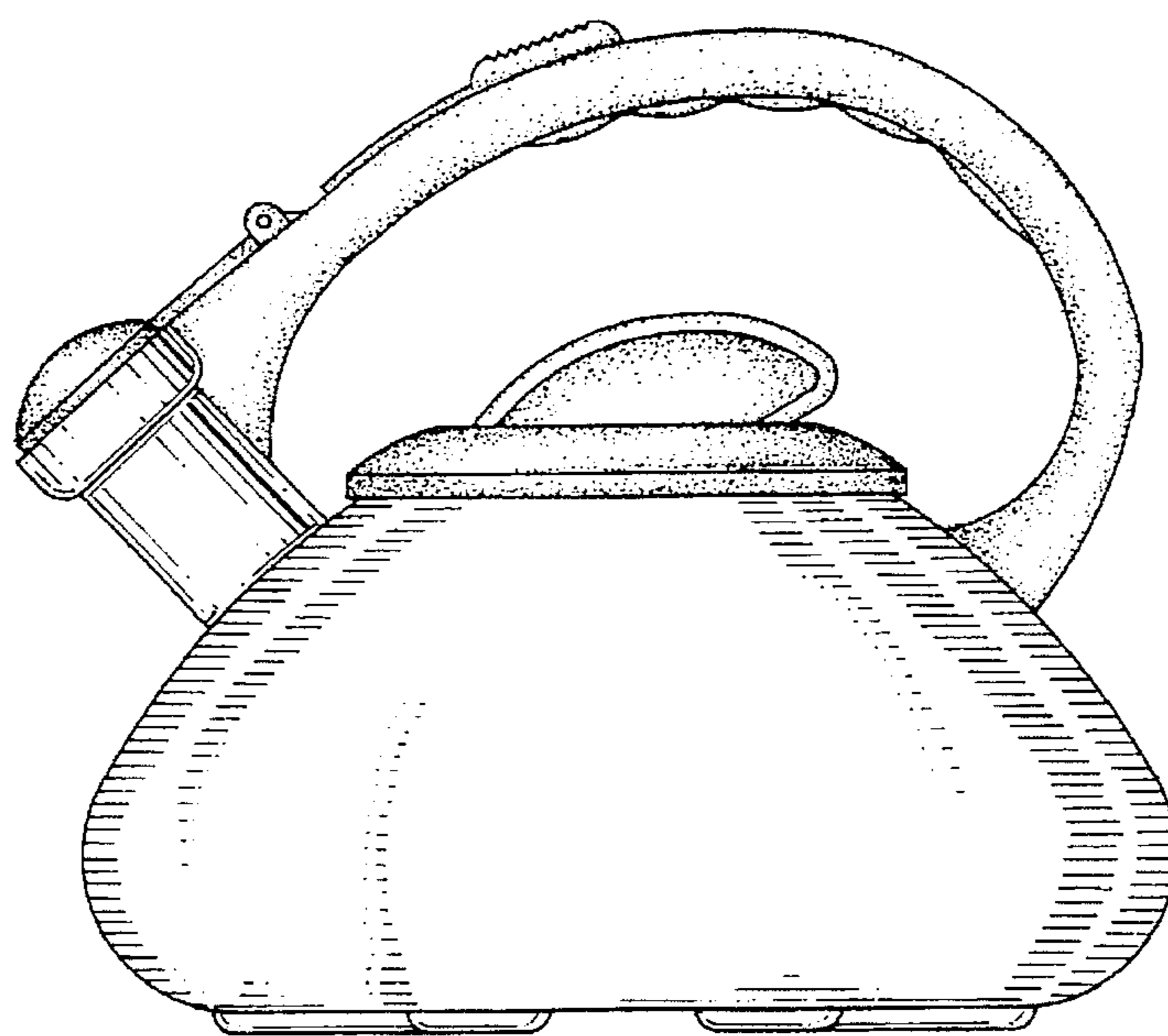


FIG. 2

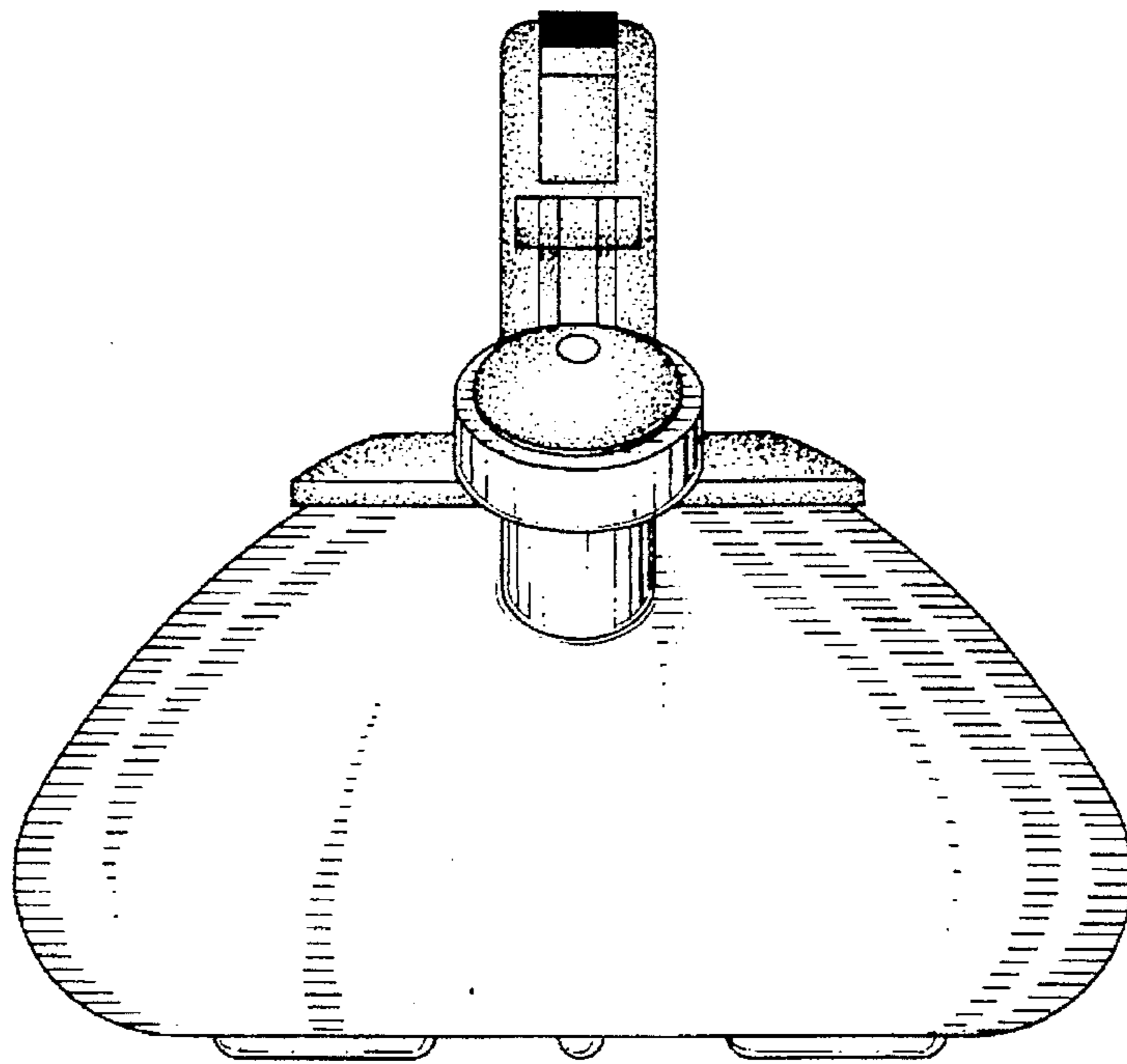


FIG. 3

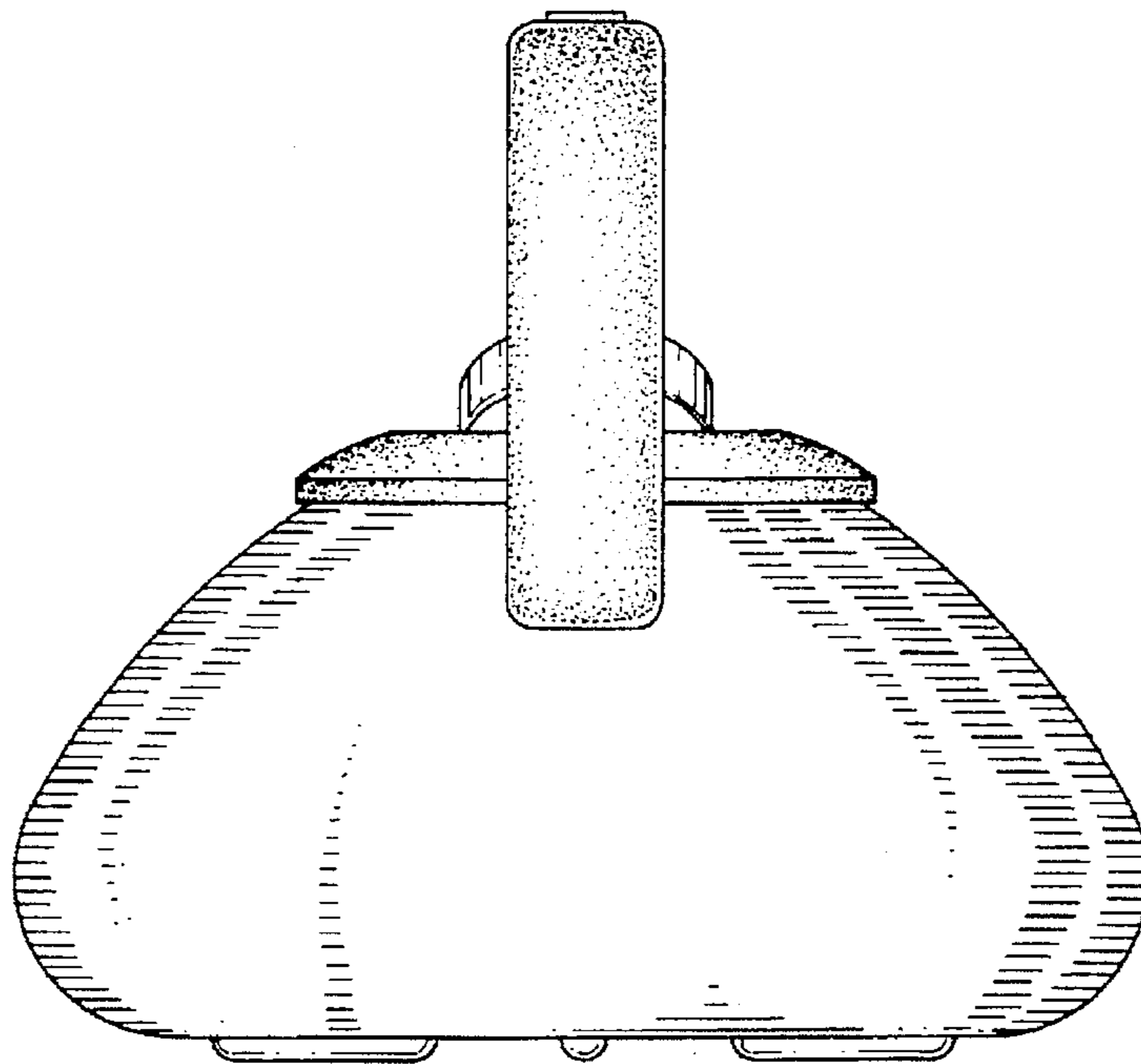


FIG. 4

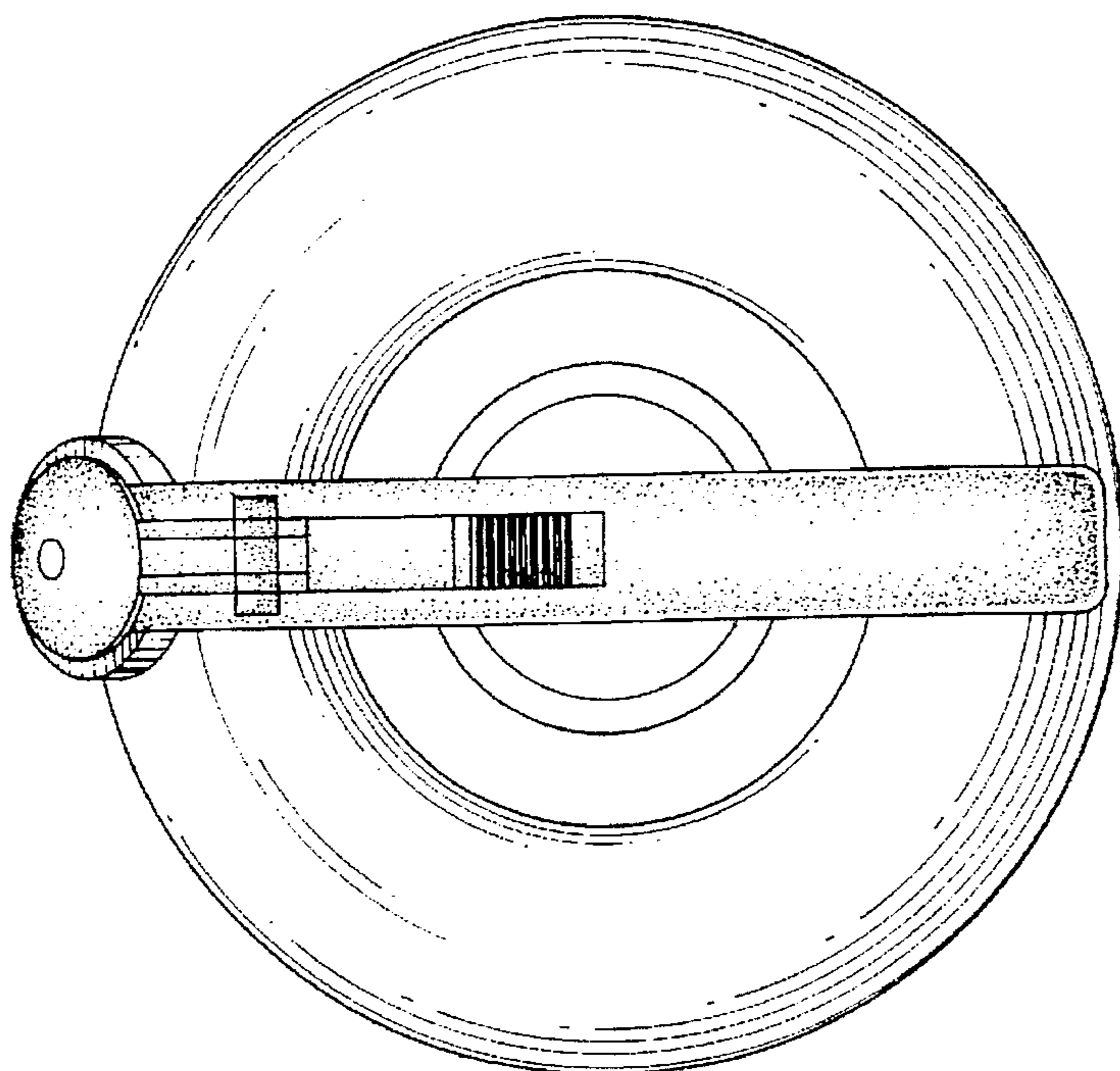


FIG. 5

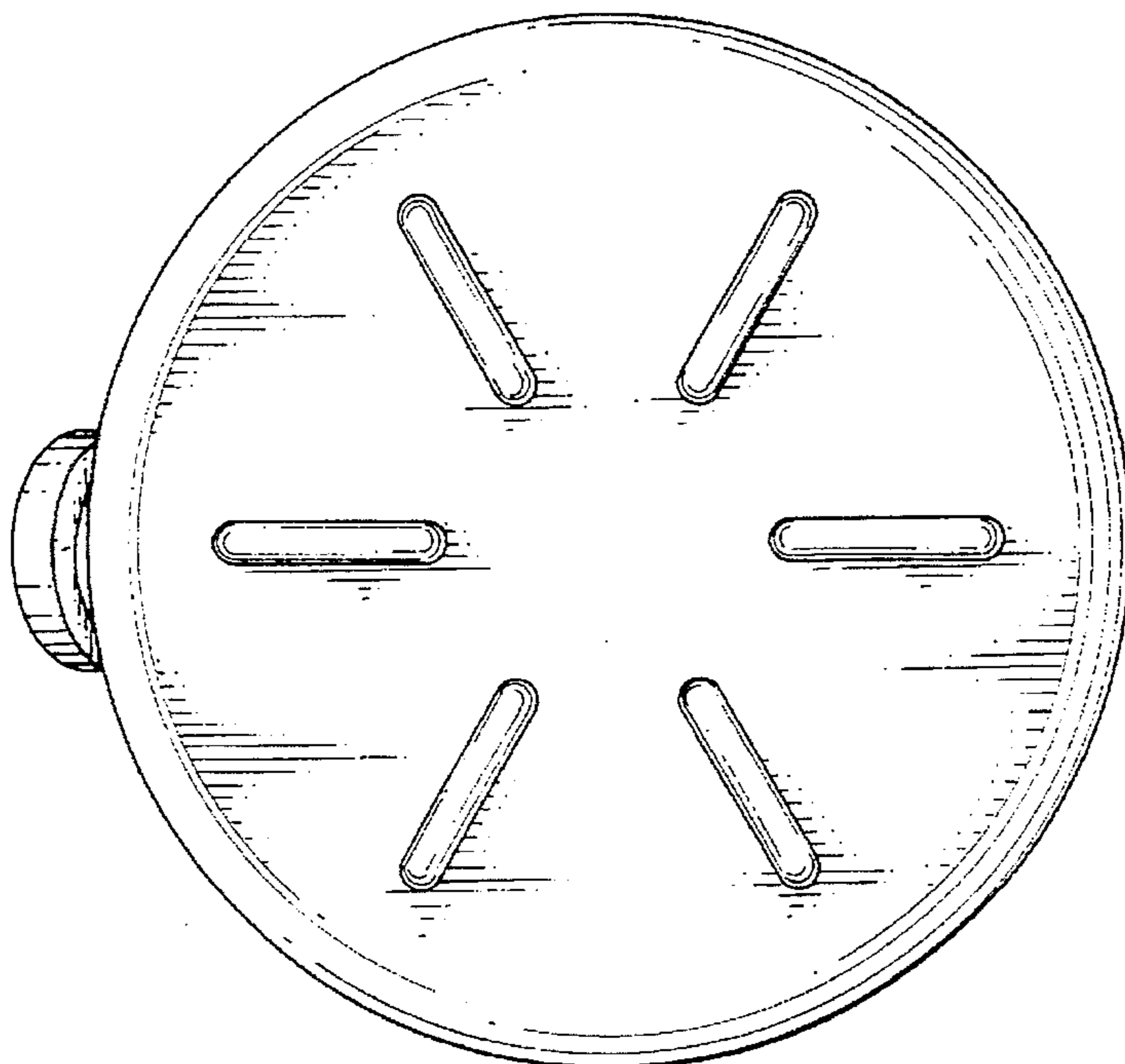


FIG. 6