



US00D380335S

# United States Patent [19] Hui

[11] Patent Number: **Des. 380,335**

[45] Date of Patent: **\*\*Jul. 1, 1997**

[54] **MULTI-PURPOSE COFFEE MAKER**

[76] Inventor: **Chao Ming Hui**, P.O. Box 82-144,  
Taipei, Taiwan

[\*\*] Term: **14 Years**

[21] Appl. No.: **53,336**

[22] Filed: **Apr. 15, 1996**

[51] LOC (6) Cl. .... **07-02**

[52] U.S. Cl. .... **D7/309; D7/311; D7/312**

[58] Field of Search ..... **D7/301, 300, 310,  
D7/311, 306, 312; 99/275, 304, 306**

D. 365,491 12/1995 Hui ..... D7/309 X  
 4,640,483 2/1987 Tufte ..... D7/397  
 4,742,767 5/1988 Komatsu et al. .... D7/310 X

### FOREIGN PATENT DOCUMENTS

2223092 3/1990 United Kingdom ..... D7/312 X

*Primary Examiner*—M. N. Pandozzi  
*Attorney, Agent, or Firm*—Alfred Lei

### [57] CLAIM

The ornamental design for a multi-purpose coffee maker, as shown and described.

### DESCRIPTION

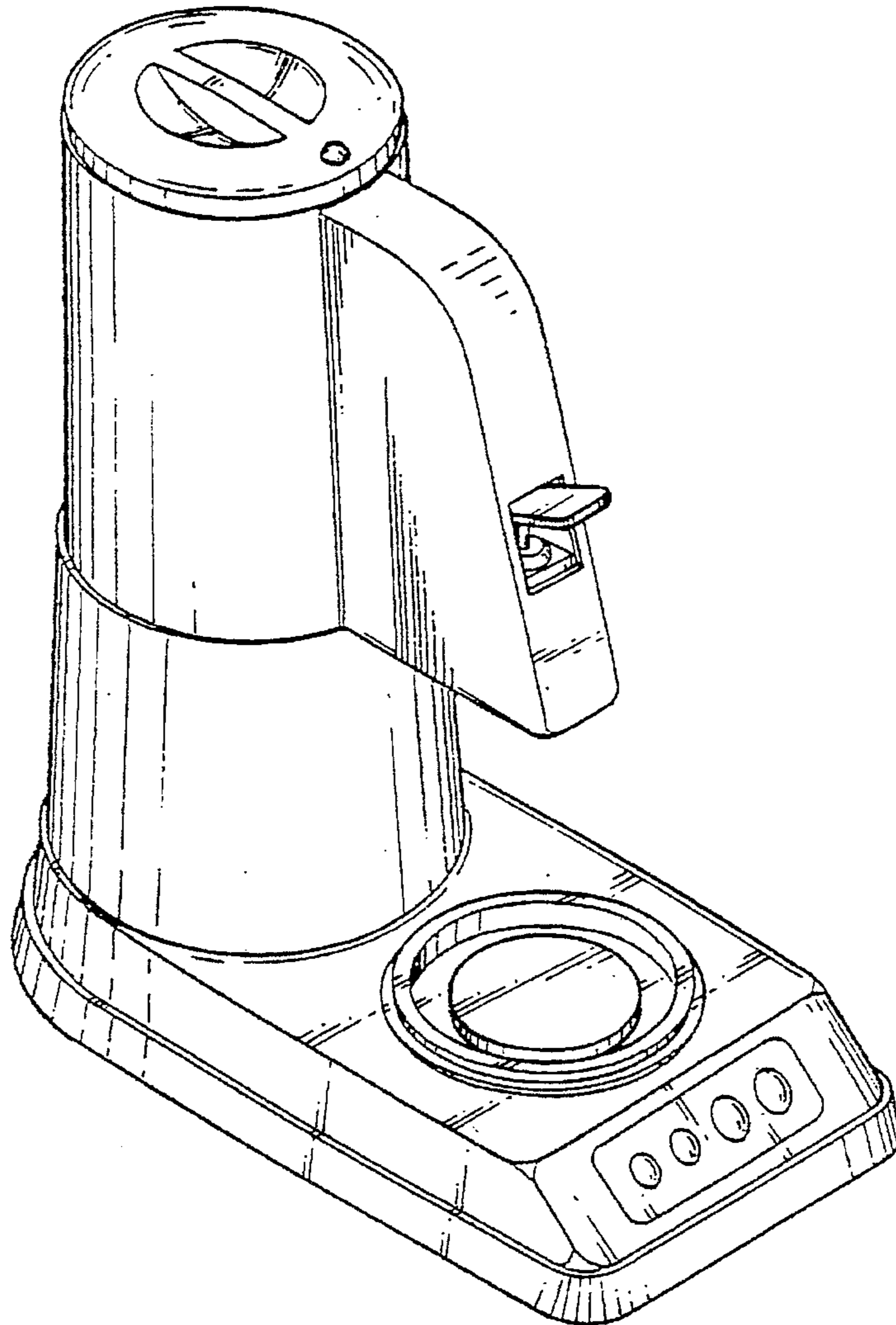
FIG. 1 is a perspective view of a multi-purpose coffee maker showing my new design;  
 FIG. 2 is a front view thereof;  
 FIG. 3 is a rear view thereof;  
 FIG. 4 is a left side elevational view thereof;  
 FIG. 5 is a right side elevational view thereof;  
 FIG. 6 is a top plan view thereof; and,  
 FIG. 7 is a bottom plan view thereof.

**1 Claim, 4 Drawing Sheets**

### [56] References Cited

#### U.S. PATENT DOCUMENTS

D. 239,758 5/1976 Claxton ..... D7/311 X  
 D. 243,141 1/1977 Mantelet ..... D7/309  
 D. 293,758 1/1988 Balisteri ..... D7/312  
 D. 300,106 3/1989 Paulin ..... D7/309  
 D. 321,453 11/1991 Ophardt ..... D7/300  
 D. 331,522 12/1992 Littmann ..... D7/311 X  
 D. 336,208 6/1993 Pujolgibert ..... D7/312



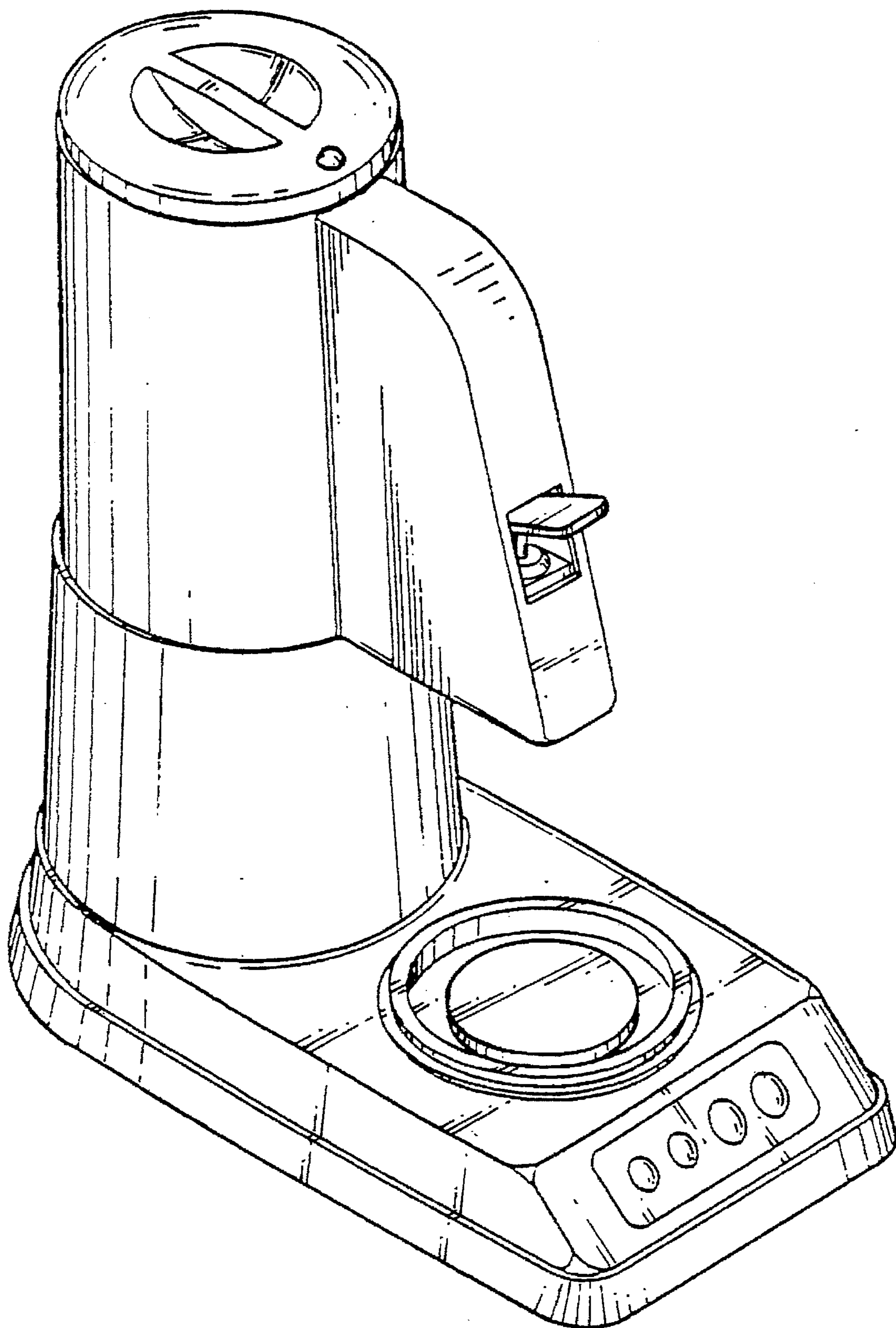


FIG. 1

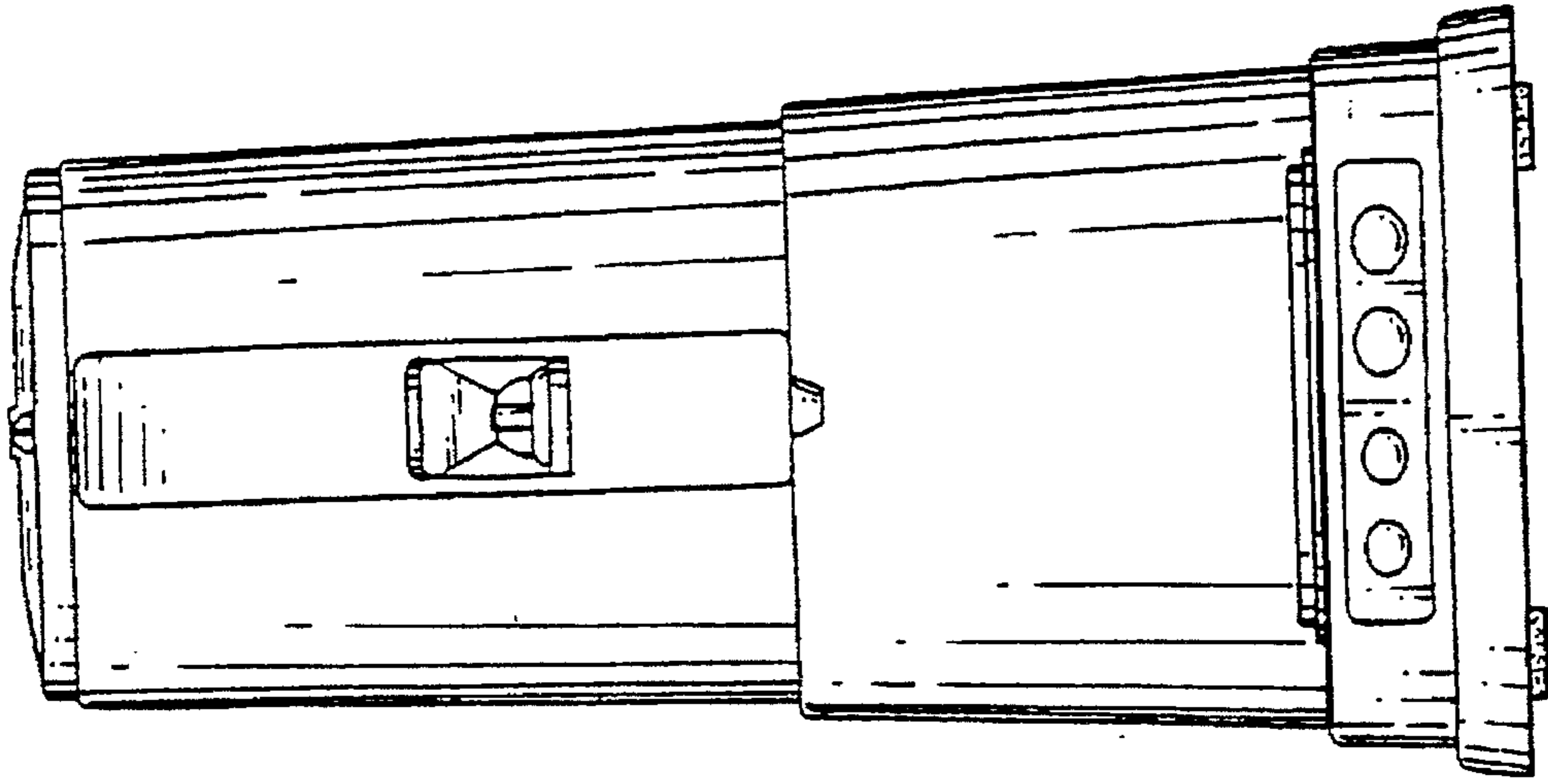


FIG. 2

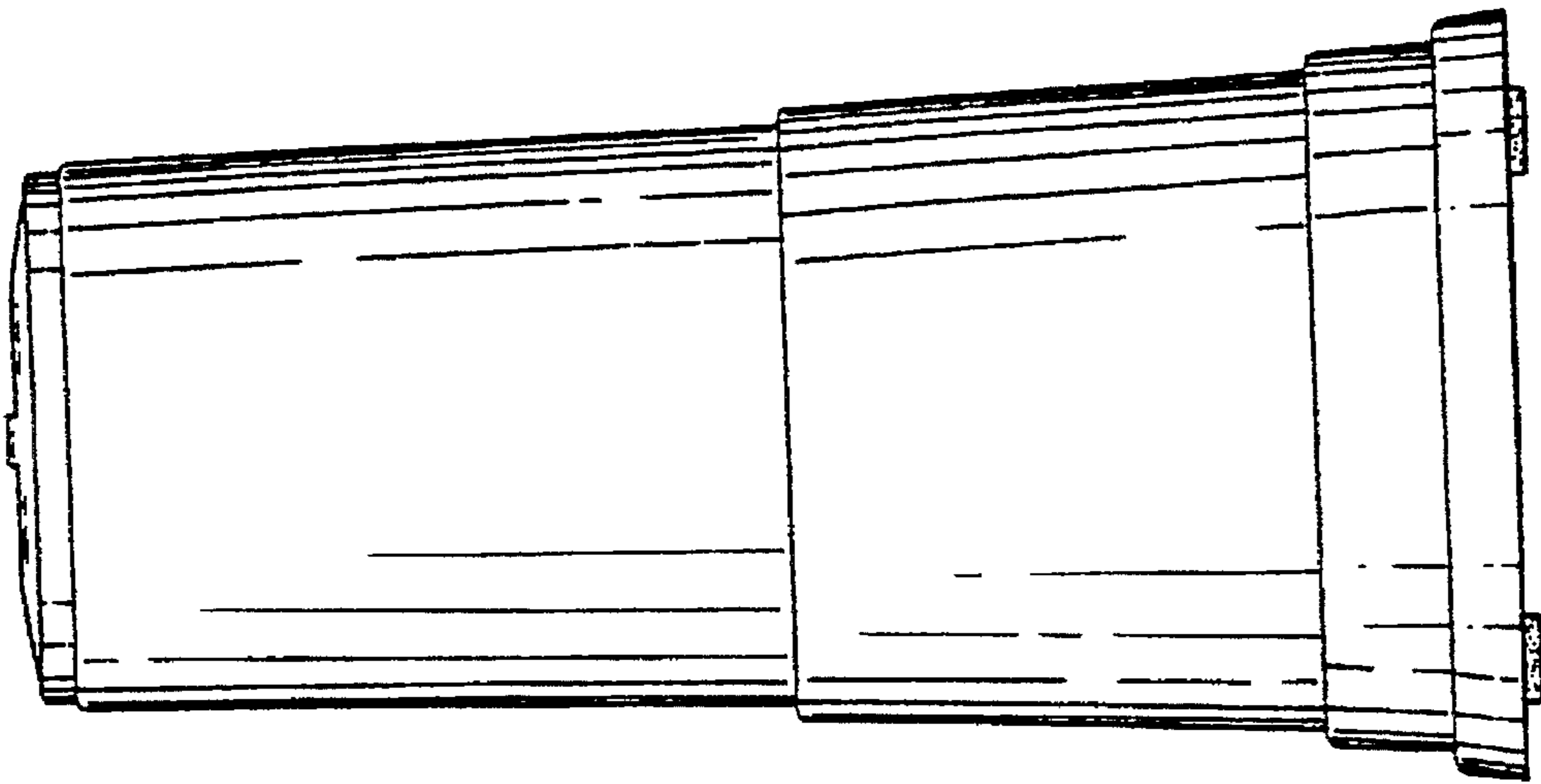


FIG. 3

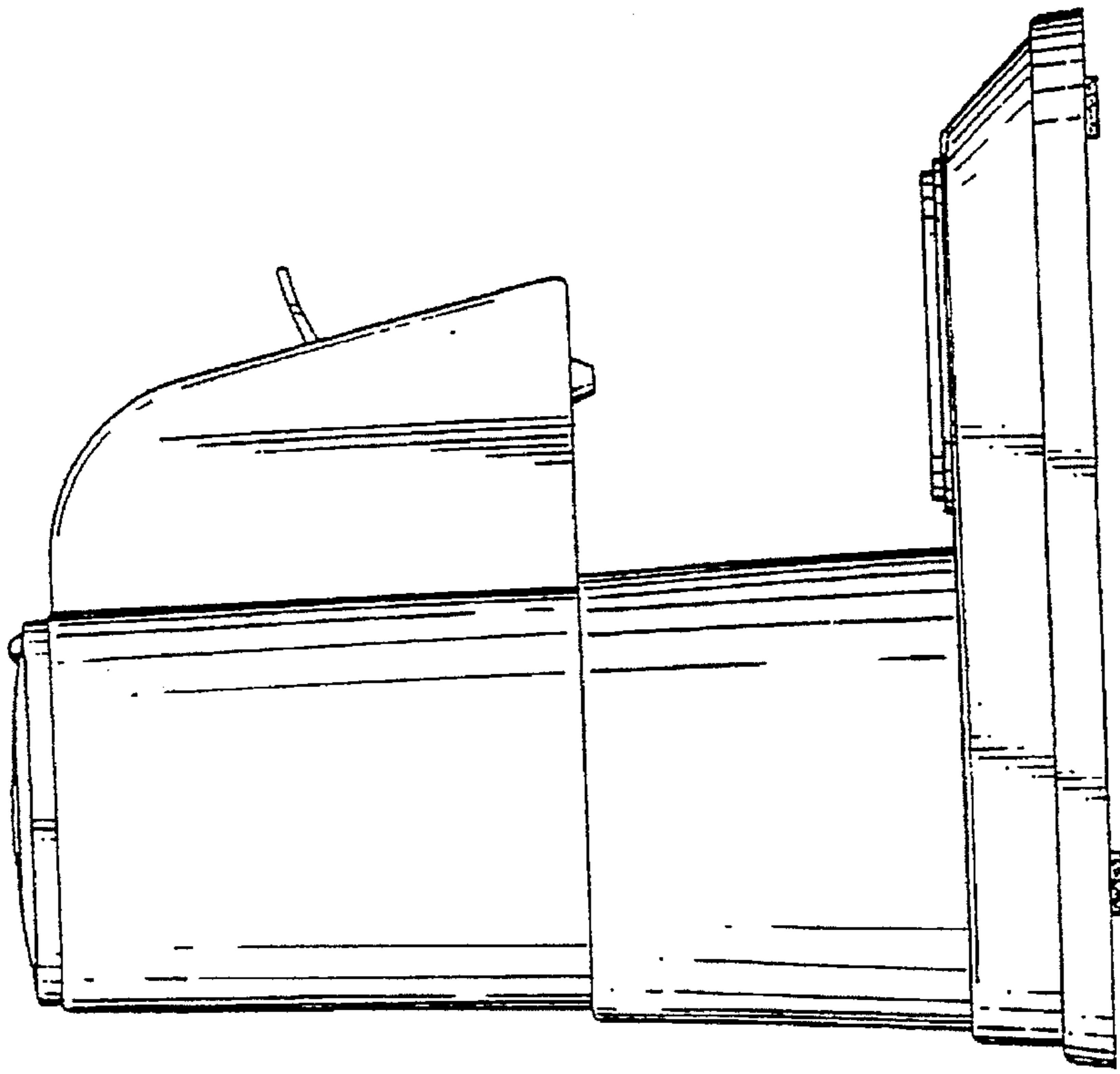


FIG. 4

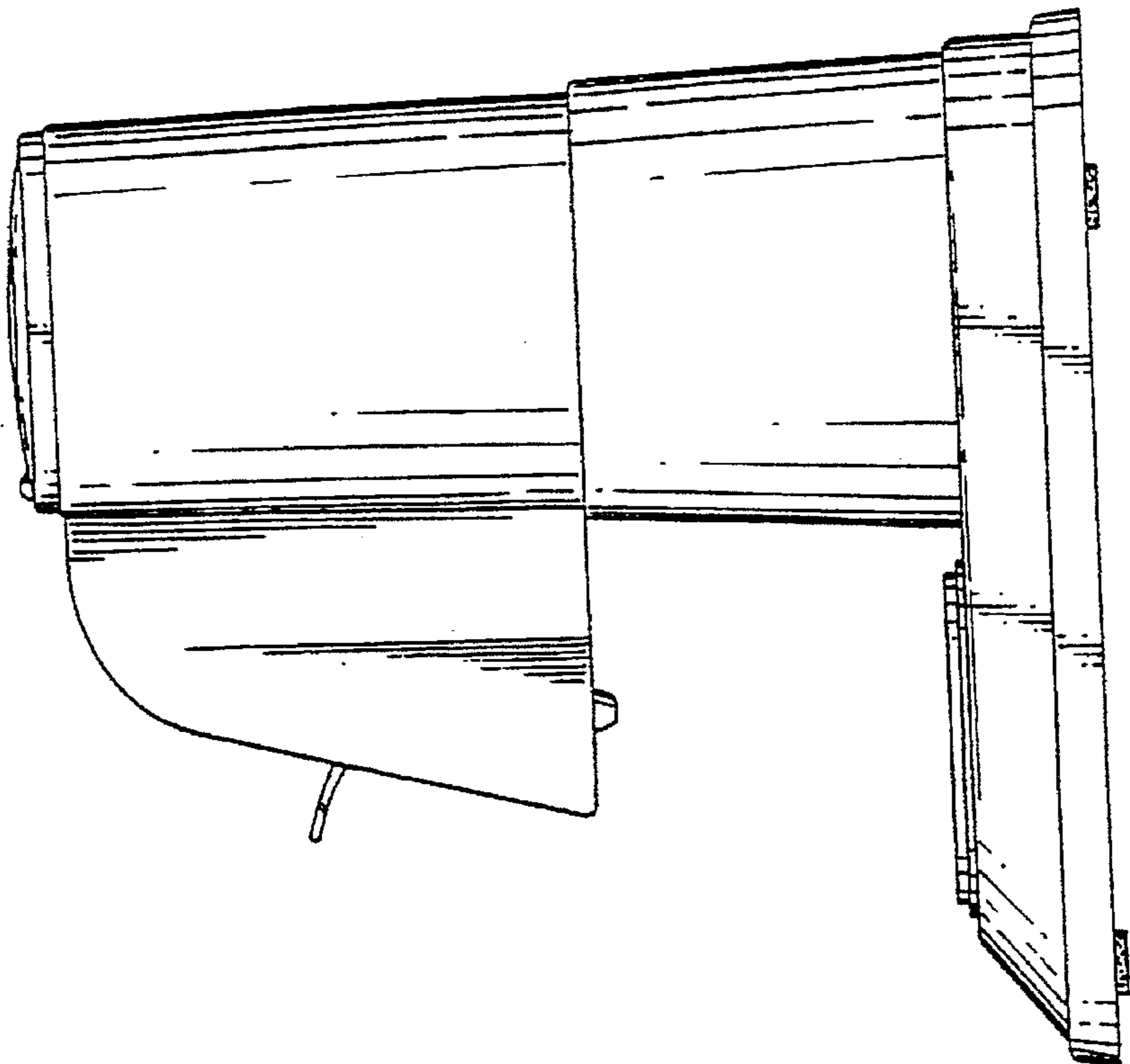


FIG. 5

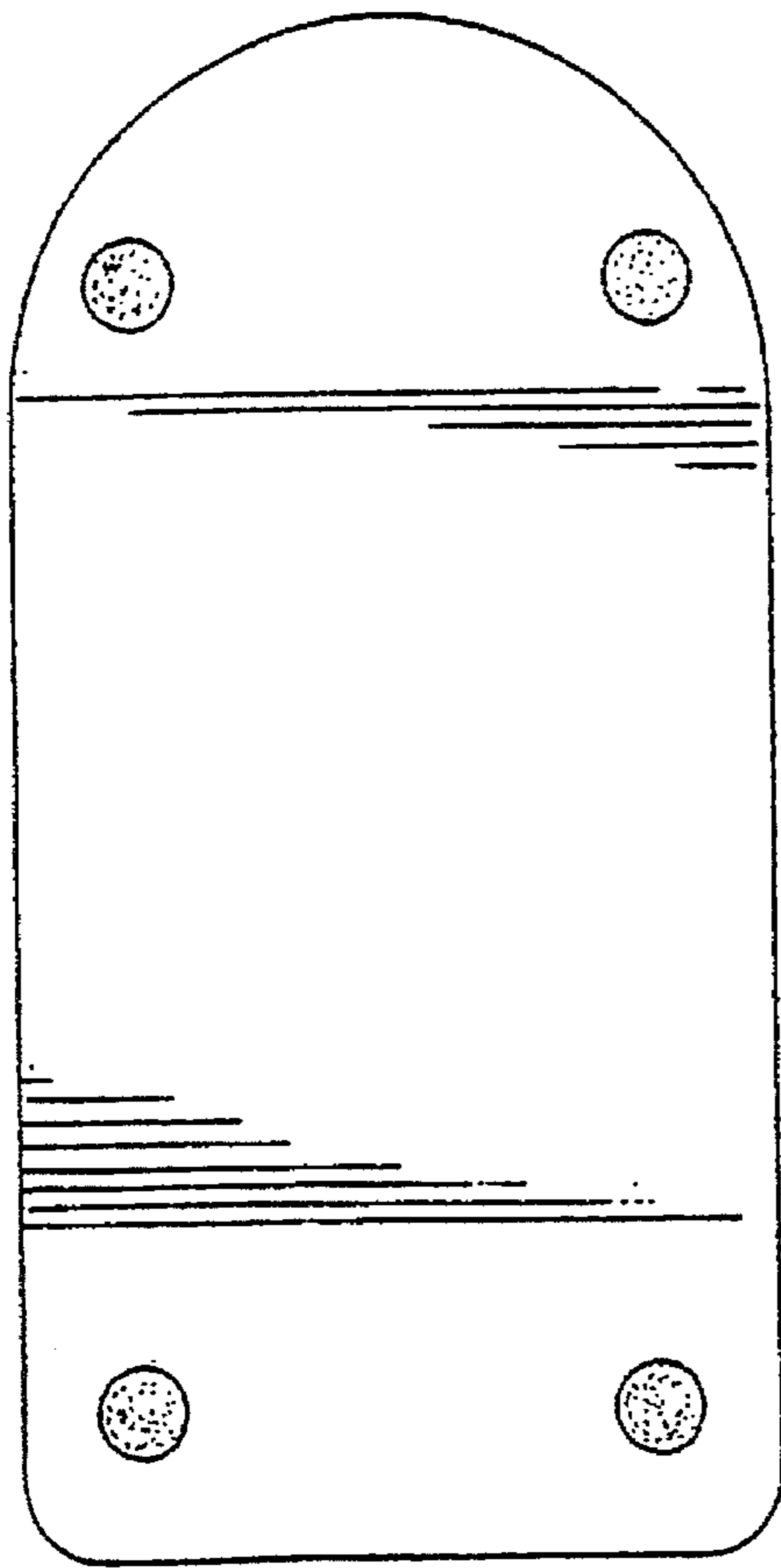


FIG. 7

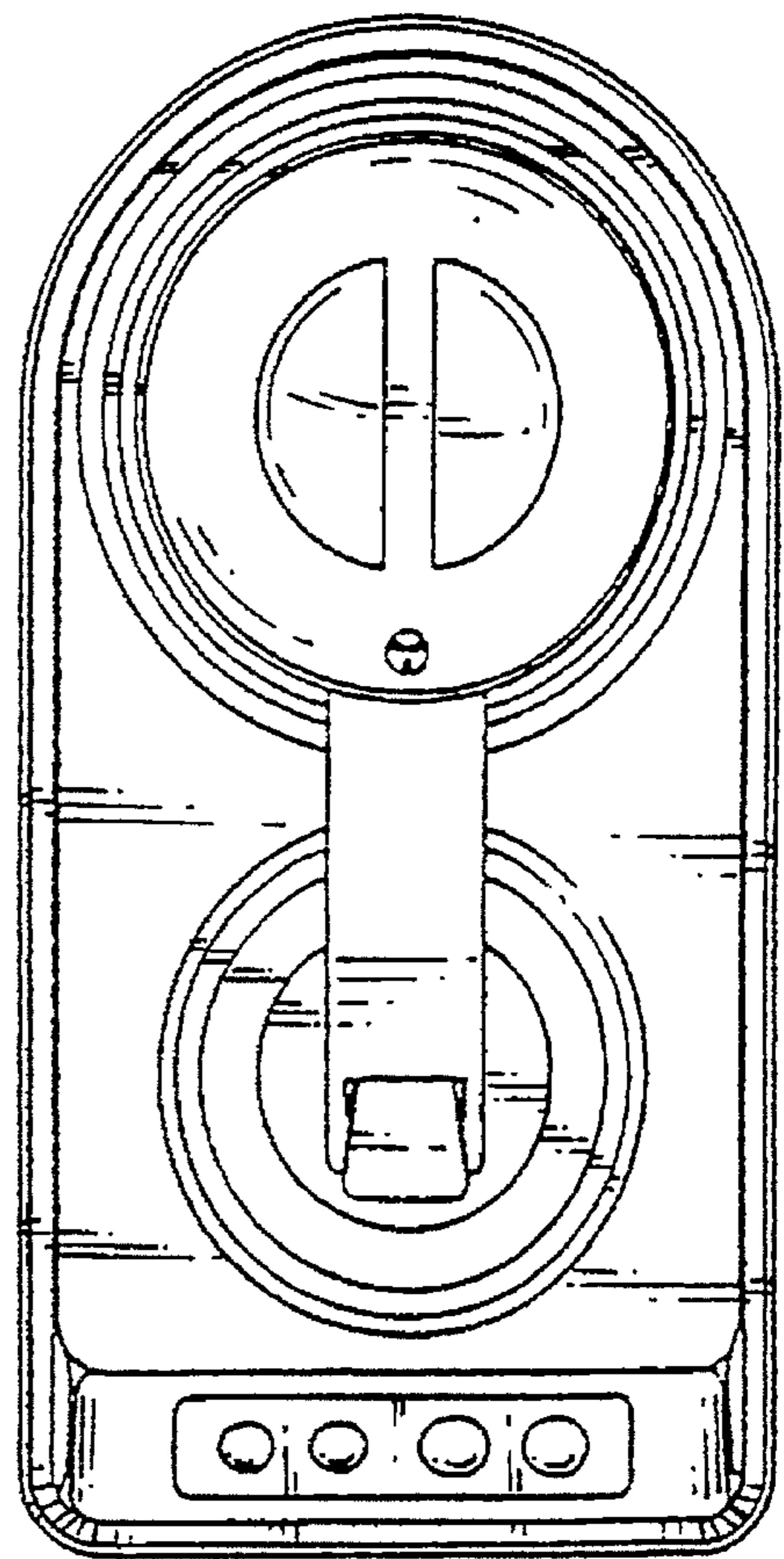


FIG. 6