



US00D380333S

United States Patent [19] Carrere

[11] Patent Number: **Des. 380,333**

[45] Date of Patent: ****Jul. 1, 1997**

[54] **ELECTRIC COFFEE MAKER**

5,503,060 4/1996 Morecroft et al. 99/295

[75] Inventor: **Eric Carrere**, Lyon, France

OTHER PUBLICATIONS

[73] Assignee: **SEB**, France

Coffee Pot, "HFD" Nov. 1986 p. 70 (Top Right).
Coffee Machine (middle left), Schoner Wohen, Dec. 1979, p. 198 SW.

[**] Term: **14 Years**

Primary Examiner—M. N. Pandozzi
Attorney, Agent, or Firm—Loeb & Loeb LLP

[21] Appl. No.: **49,691**

[22] Filed: **Jan. 29, 1996**

[57] CLAIM

[30] Foreign Application Priority Data

Aug. 2, 1995 [FR] France 95 4344

The ornamental design for an electric coffee-maker, as shown.

[51] LOC (6) Cl. **07-02**

DESCRIPTION

[52] U.S. Cl. **D7/309; D7/310; D7/311**

FIG. 1 is a front elevational view of an electric coffee-maker showing my new design;

[58] Field of Search D7/301, 300, 309,

D7/310, 311, 312, 306; 99/295, 304, 306

FIG. 2 is a rear elevational view thereof;

FIG. 3 is a left side elevational view thereof;

[56] References Cited

U.S. PATENT DOCUMENTS

D. 314,881	2/1991	Wondergem et al.	D7/310 X
D. 340,833	11/1993	Del Fresno	D7/311 X
D. 359,413	6/1995	Storsberg	D7/311 X
D. 361,690	8/1995	Amie	D7/311 X
4,882,983	11/1989	Pastrick	99/295

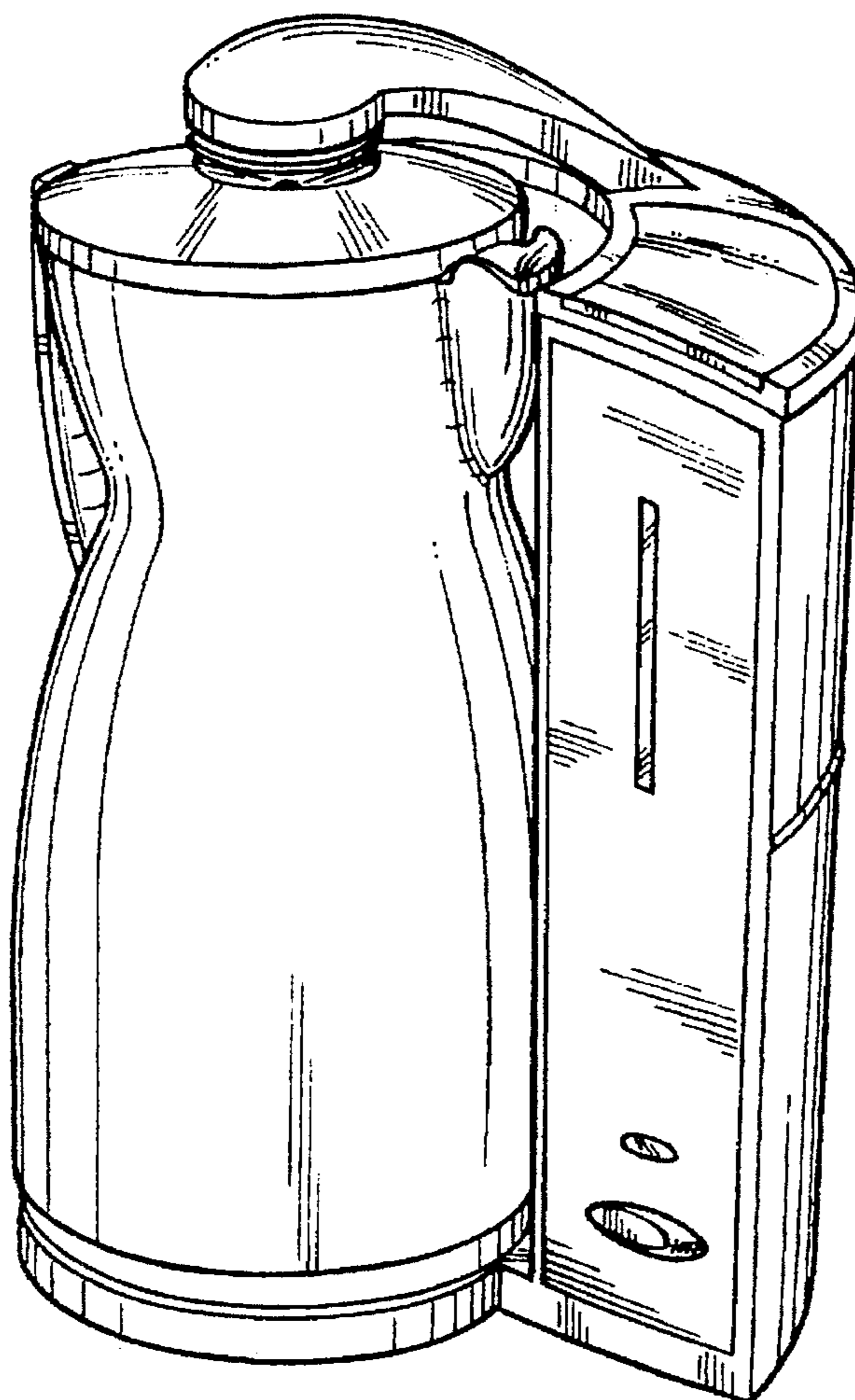
FIG. 4 is a right side elevational view thereof;

FIG. 5 is a top plan view thereof;

FIG. 6 is a bottom plan view thereof; and,

FIG. 7 is a perspective view thereof, viewed from above and to the right.

1 Claim, 4 Drawing Sheets



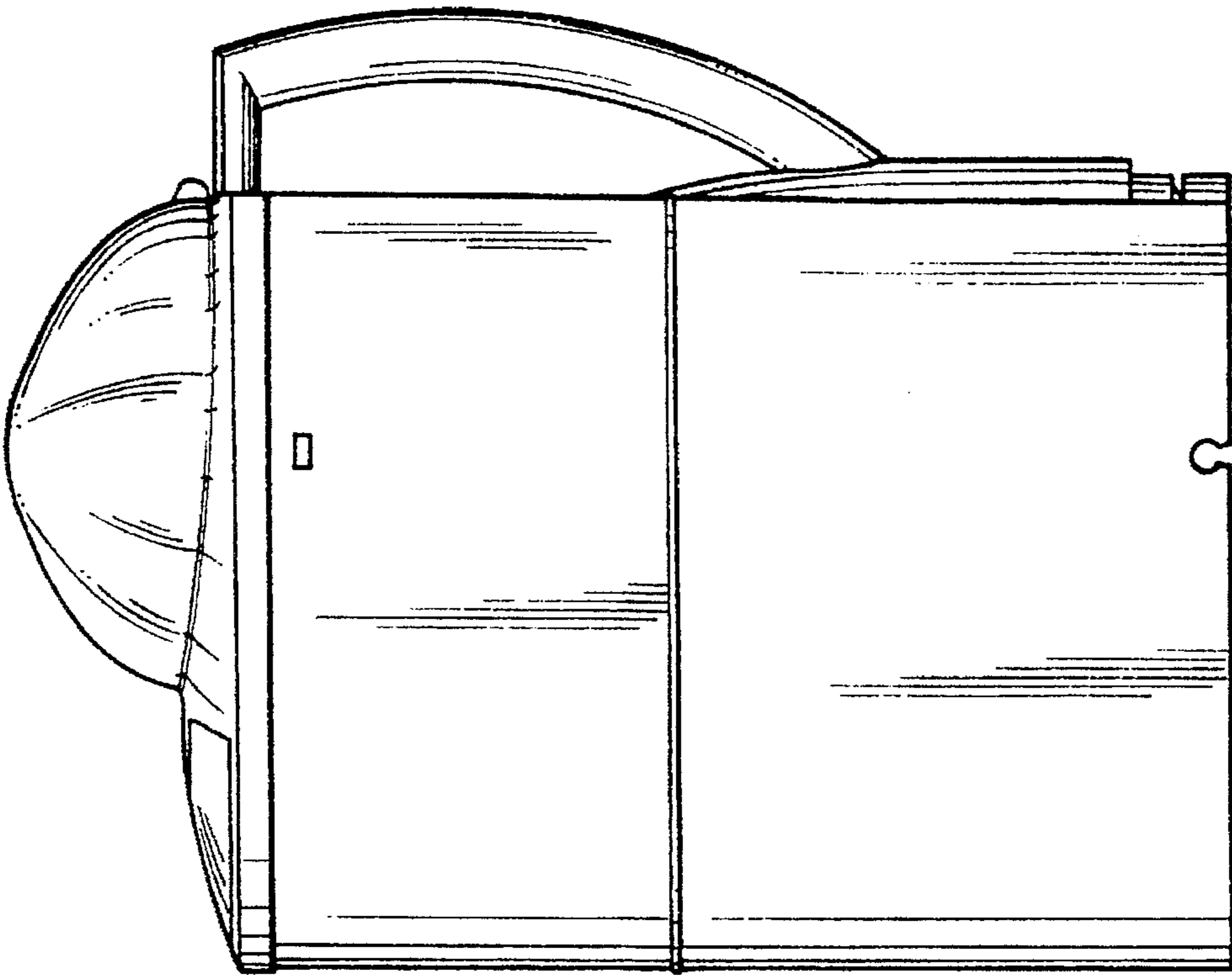


FIG. 2

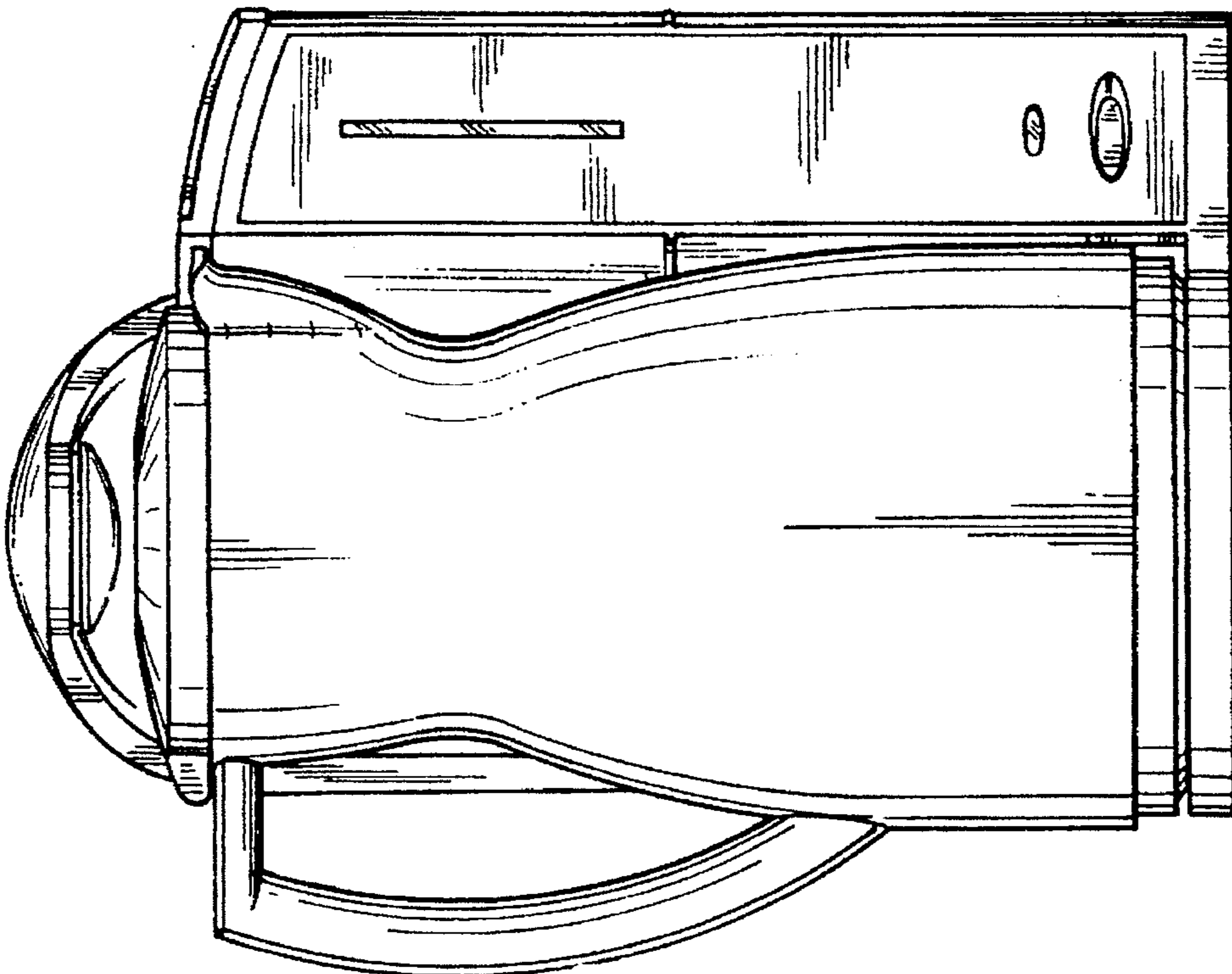


FIG. 1

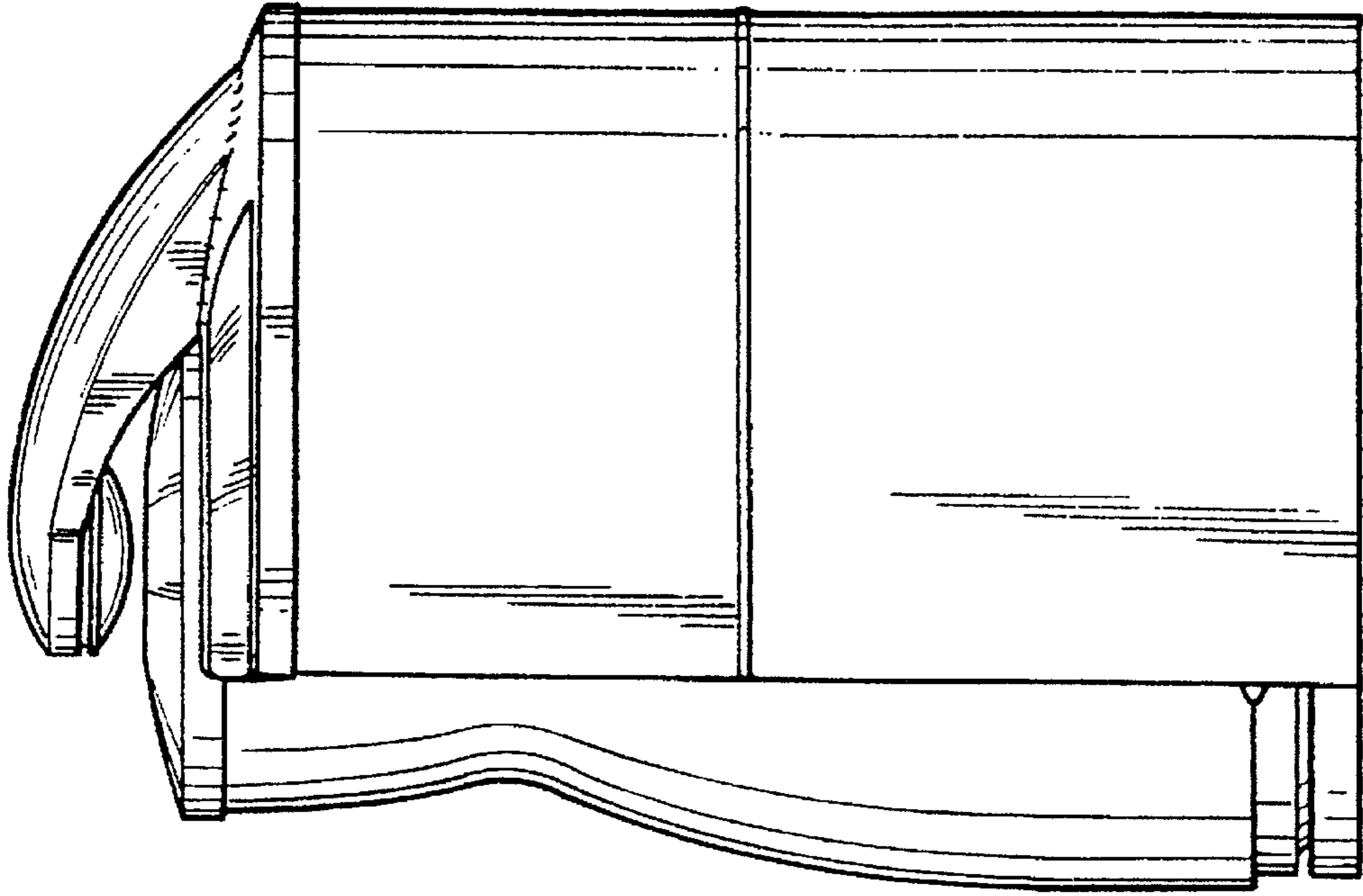


FIG. 4

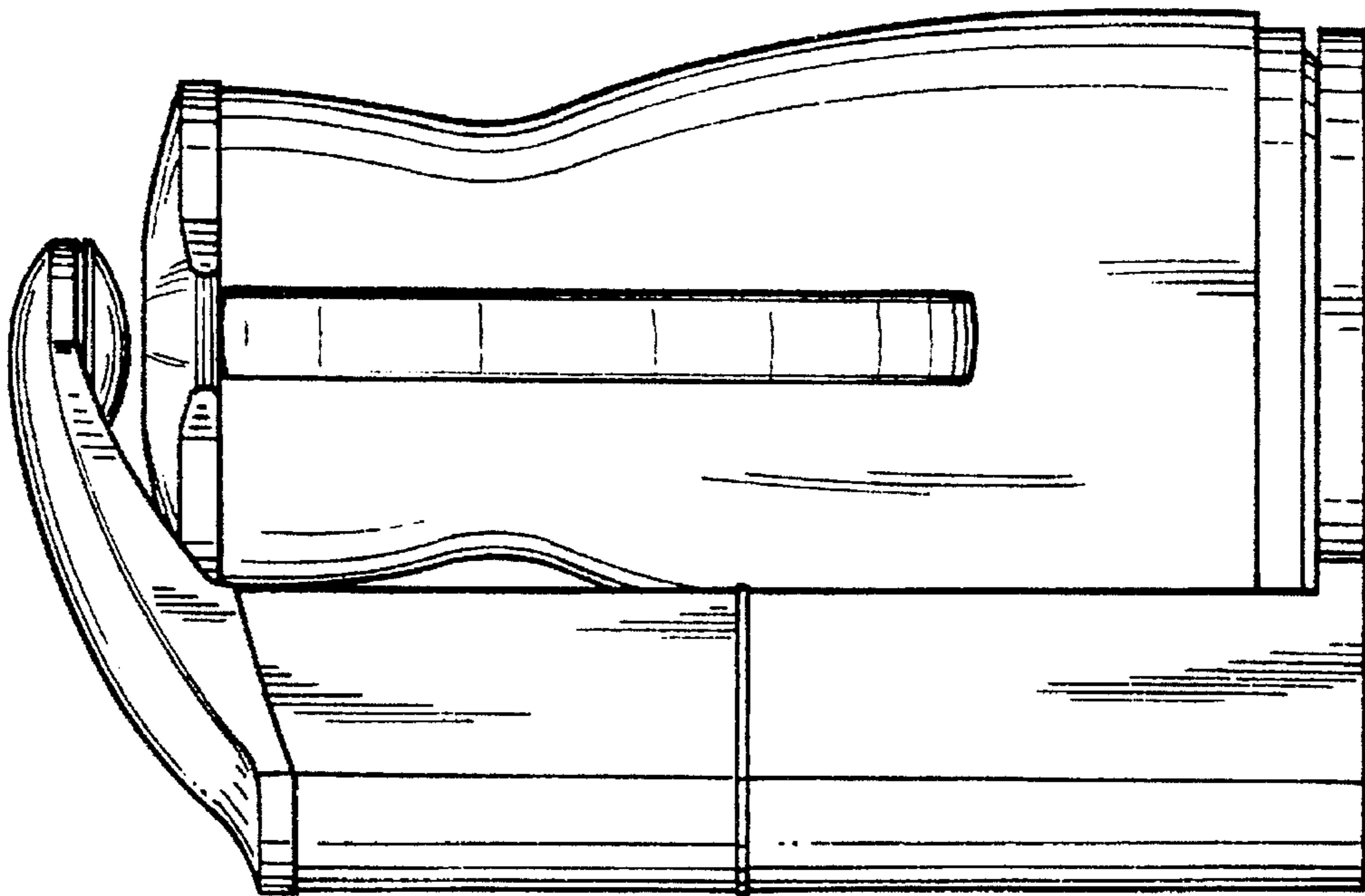


FIG. 3

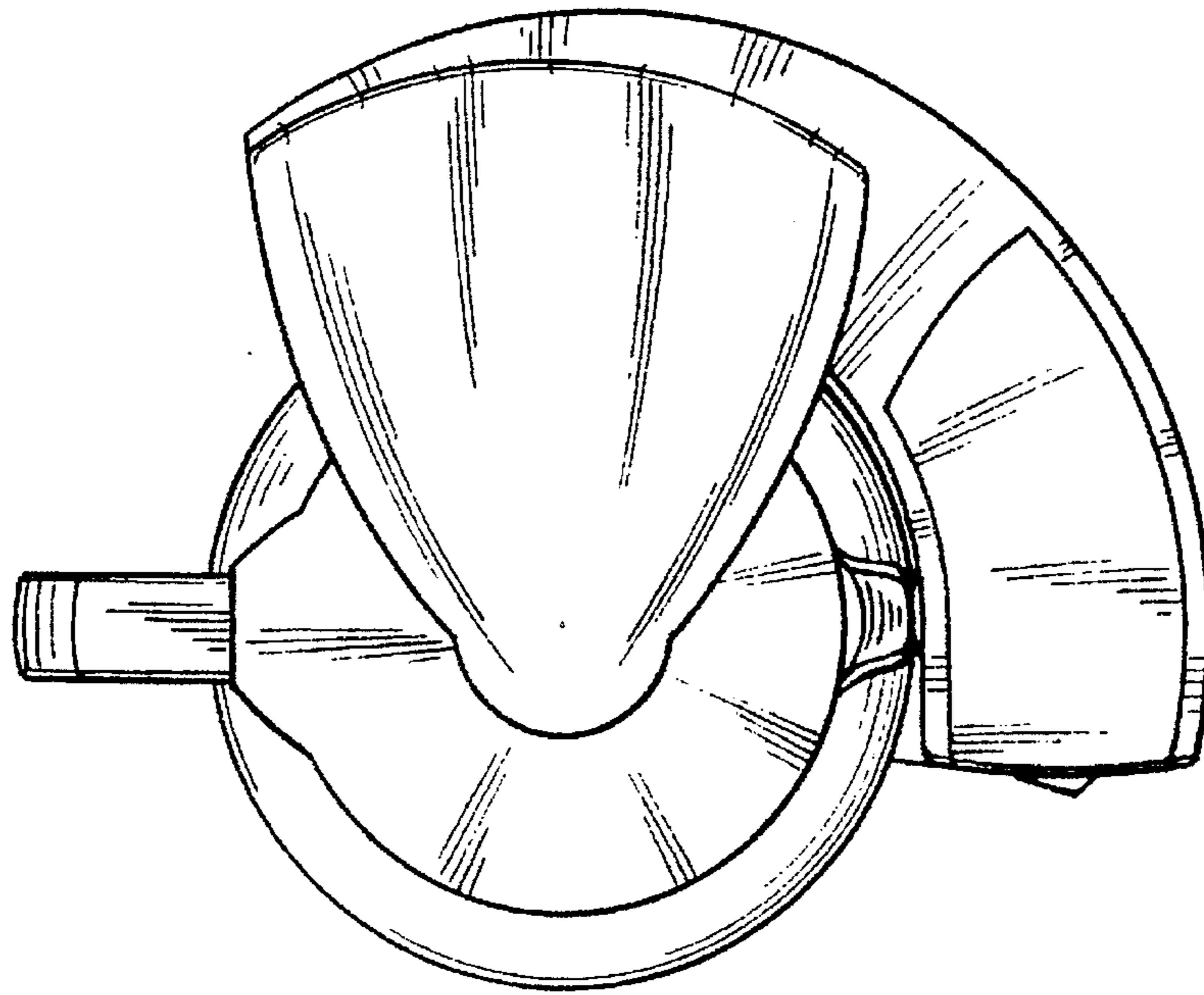


FIG. 5

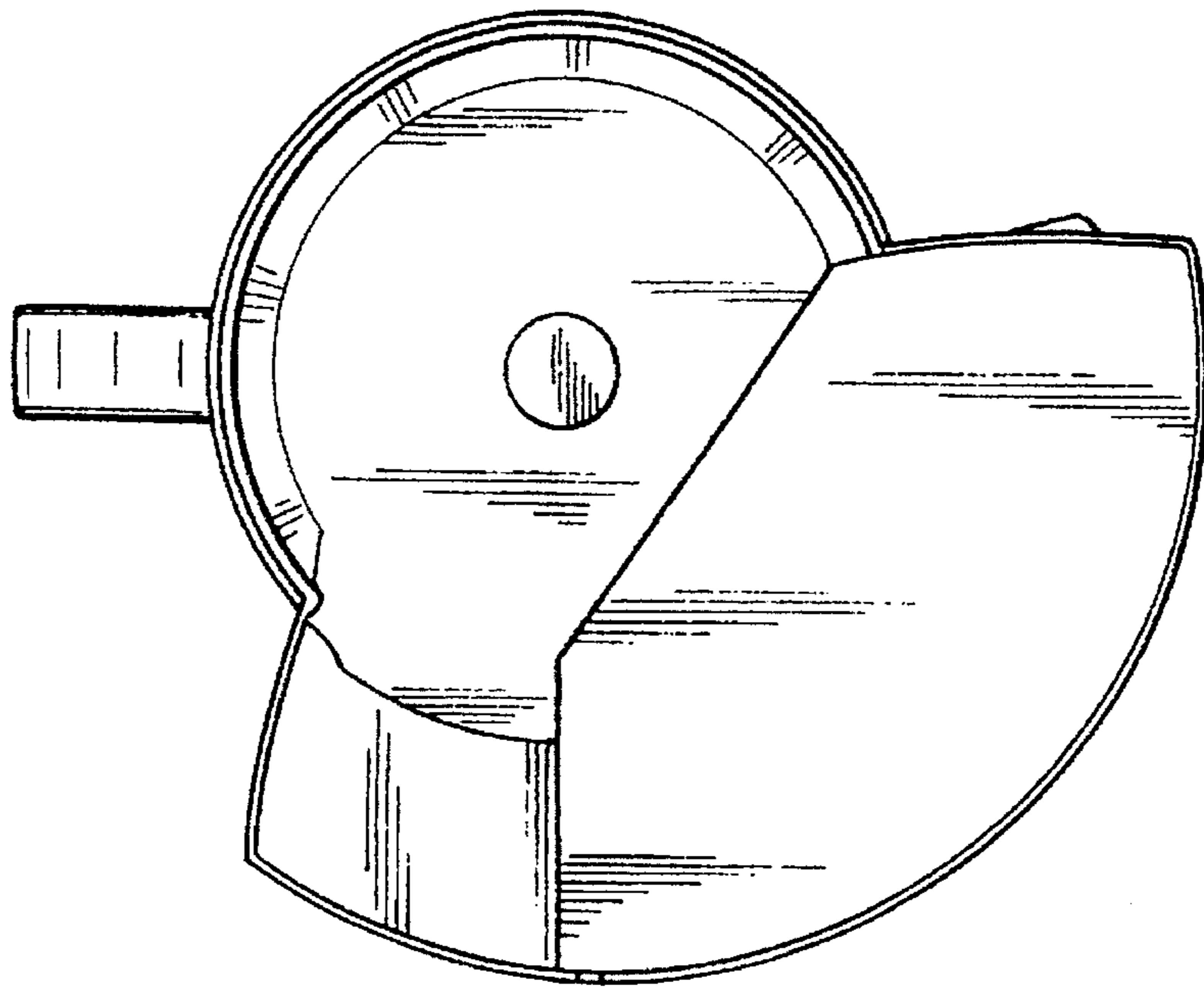


FIG. 6

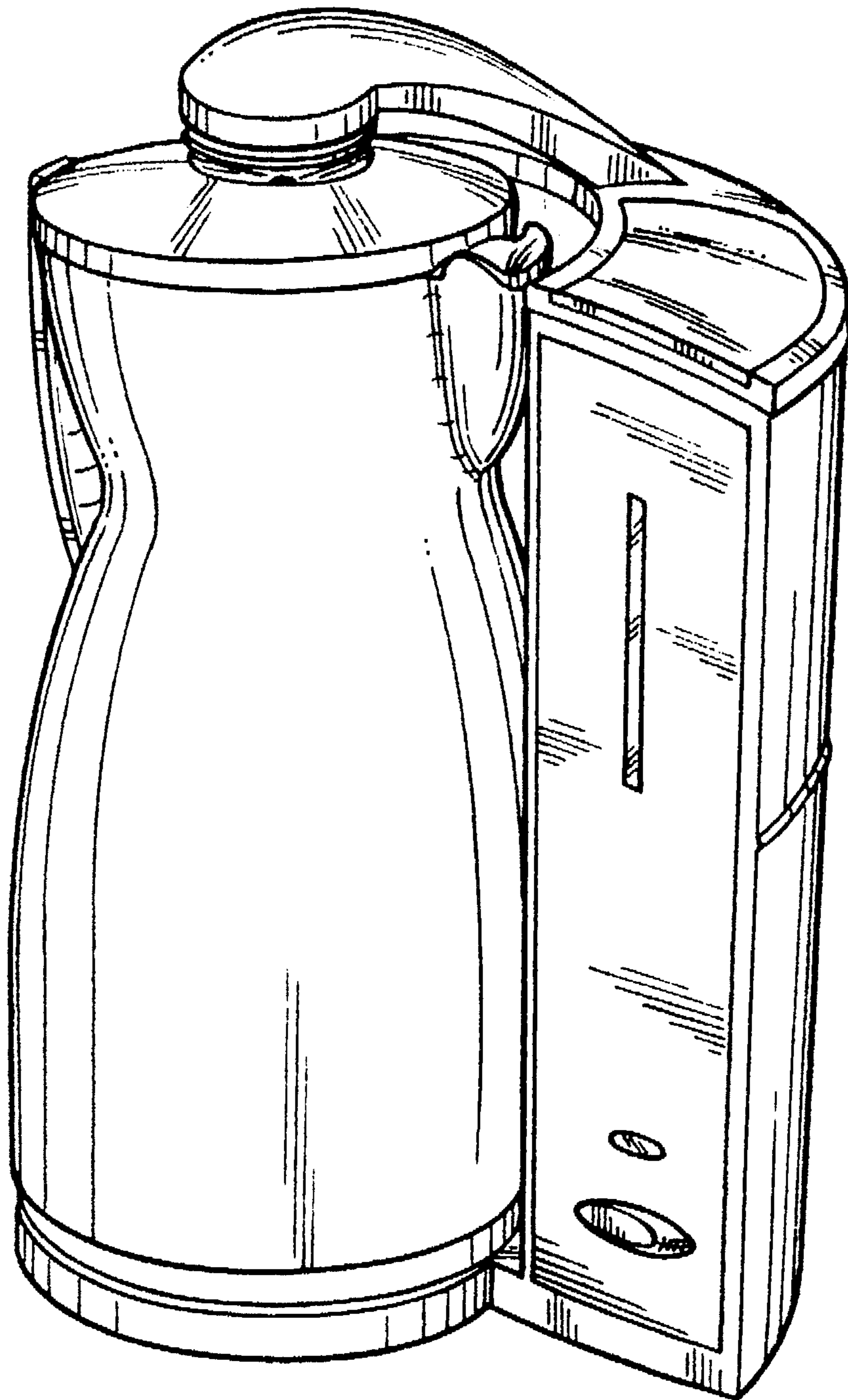


FIG. 7