

US00D380330S

United States Patent [19]
Chou

[11] **Patent Number: Des. 380,330**

[45] **Date of Patent: **Jul. 1, 1997**

[54] **VERTICAL BLIND VALANCE**

5,330,821 7/1994 Lo 248/265 X

[75] **Inventor: Gene Chou, Villa Park, Calif.**

Primary Examiner—B. J. Bullock
Assistant Examiner—Linda Brooks

[73] **Assignee: Rainbow Industrial, Inc., Anaheim, Calif.**

[57] **CLAIM**

[**] **Term: 14 Years**

The ornamental design for a vertical blind valance, as shown and described.

[21] **Appl. No.: 50,672**

DESCRIPTION

[22] **Filed: Feb. 22, 1996**

FIG. 1 is a perspective view of a vertical blind valance showing my new design;

[51] **LOC (6) Cl. 06-10**

FIG. 2 is a front elevational view thereof;

[52] **U.S. Cl. D6/579**

FIG. 3 is a plan view thereof;

[58] **Field of Search** D6/579, 577; D8/376; D26/75-78; D25/55, 60, 121, 153; 160/166.1, 167, 168 R, 194, 173 R, 230, 235, 236, 330, 348, 349.1, 349.2; 248/261-265

FIG. 4 is a rear elevational view thereof;

FIG. 5 is a bottom elevational view thereof;

FIG. 6 is a right side elevational view thereof; and,

FIG. 7 is a left side elevational view thereof.

[56] **References Cited**

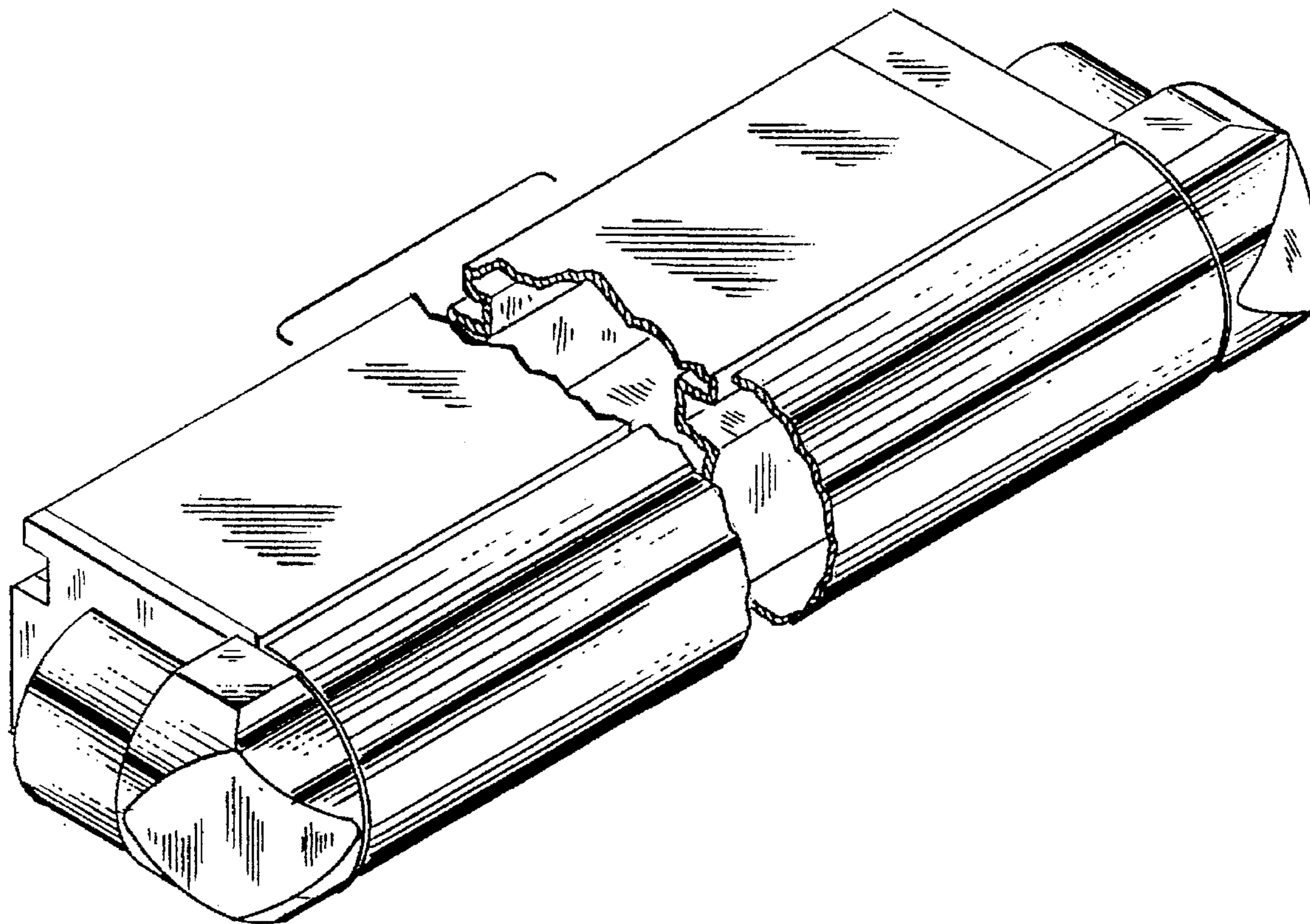
FIGS. 1-5 are shown broken away to indicate indeterminate length, it being understood that the design continues uniformly along any length.

U.S. PATENT DOCUMENTS

The broken line illustration of blinds in FIGS. 2, 4, 6, and 7 is for illustrative purposes only and form no part of the claimed design.

D. 162,361	3/1951	Stevens	D25/55
D. 165,515	12/1951	Eckert	160/19
D. 337,469	7/1993	Young et al.	D6/580
D. 364,300	11/1995	Ohanesian	D8/376 X
5,033,525	7/1991	Paeselt	160/19 X

1 Claim, 2 Drawing Sheets



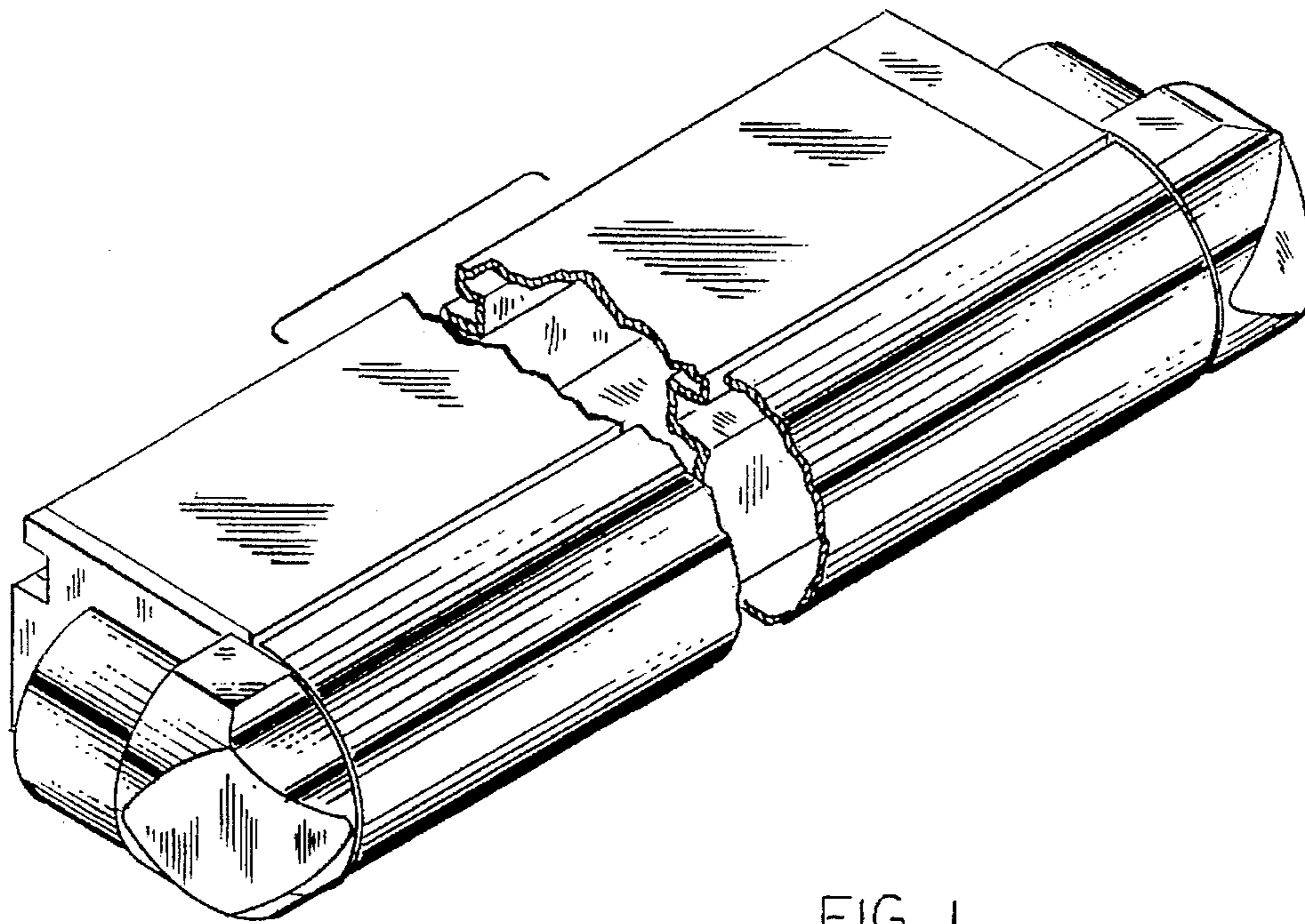


FIG. 1

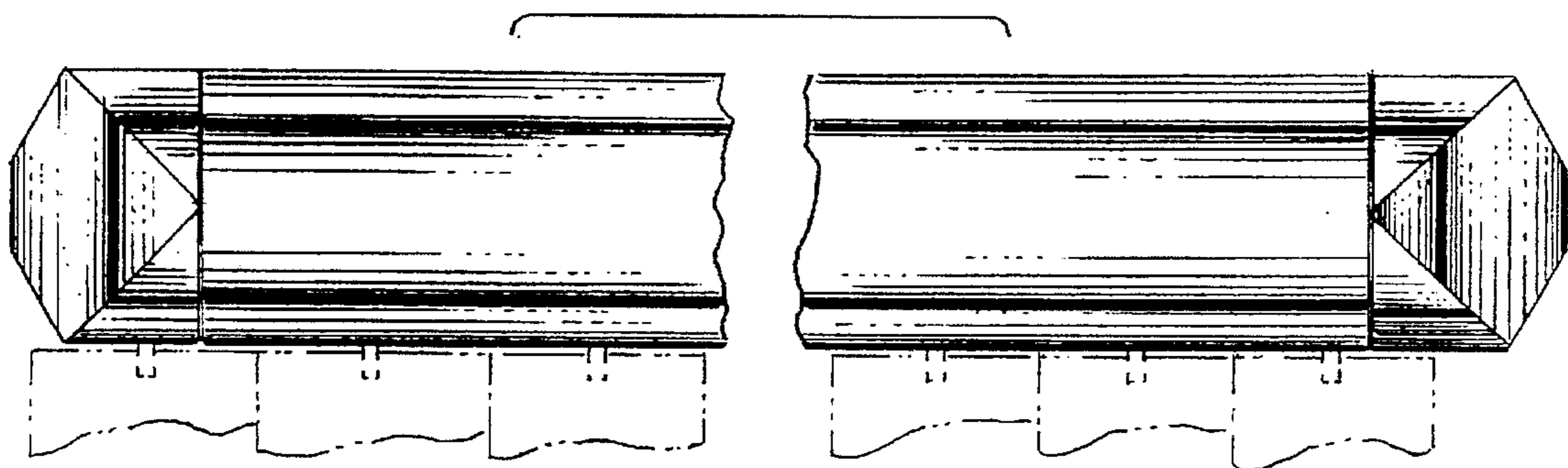


FIG. 2

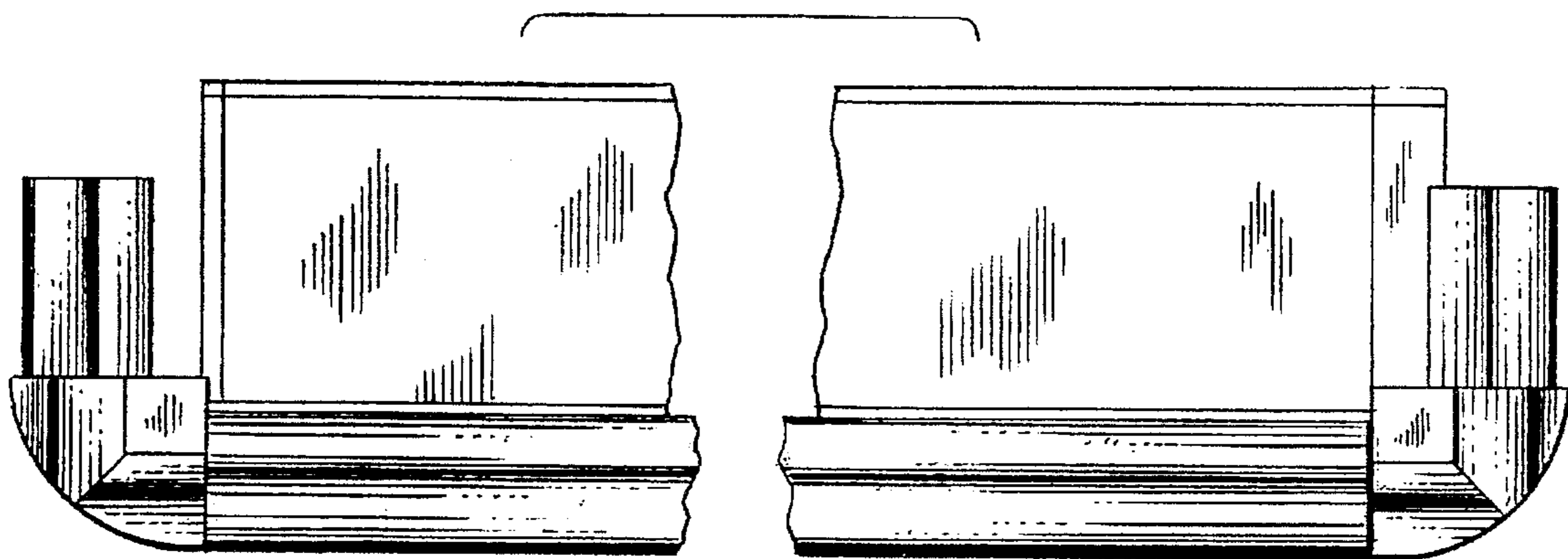


FIG. 3

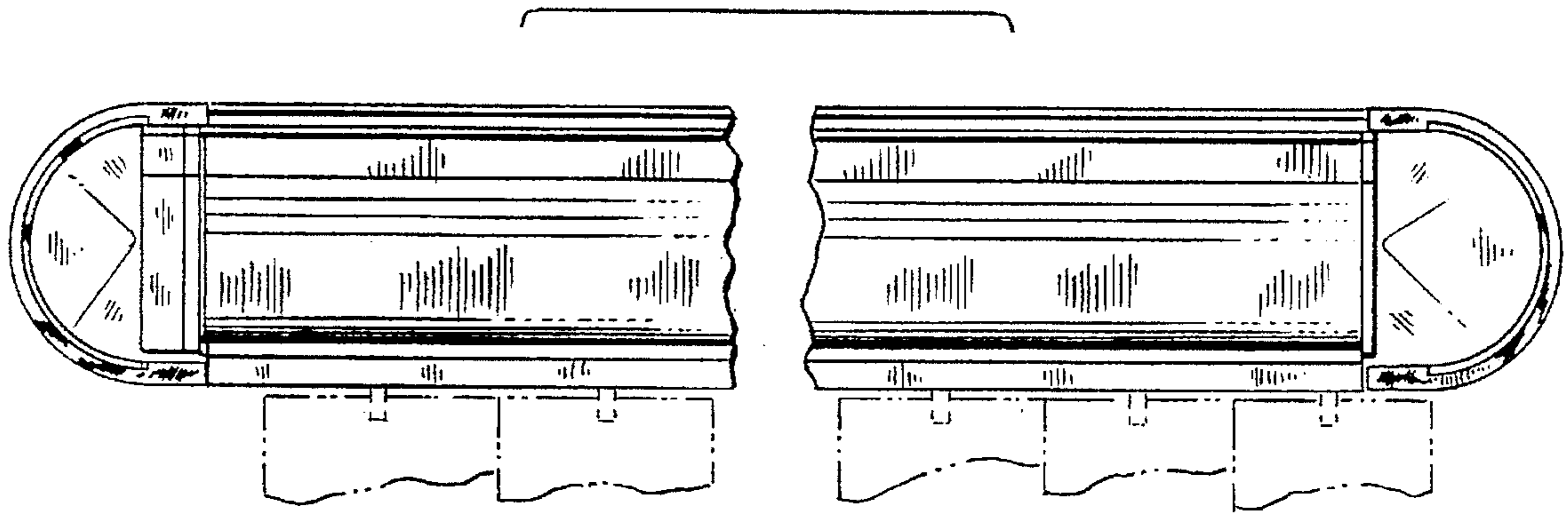


FIG. 4

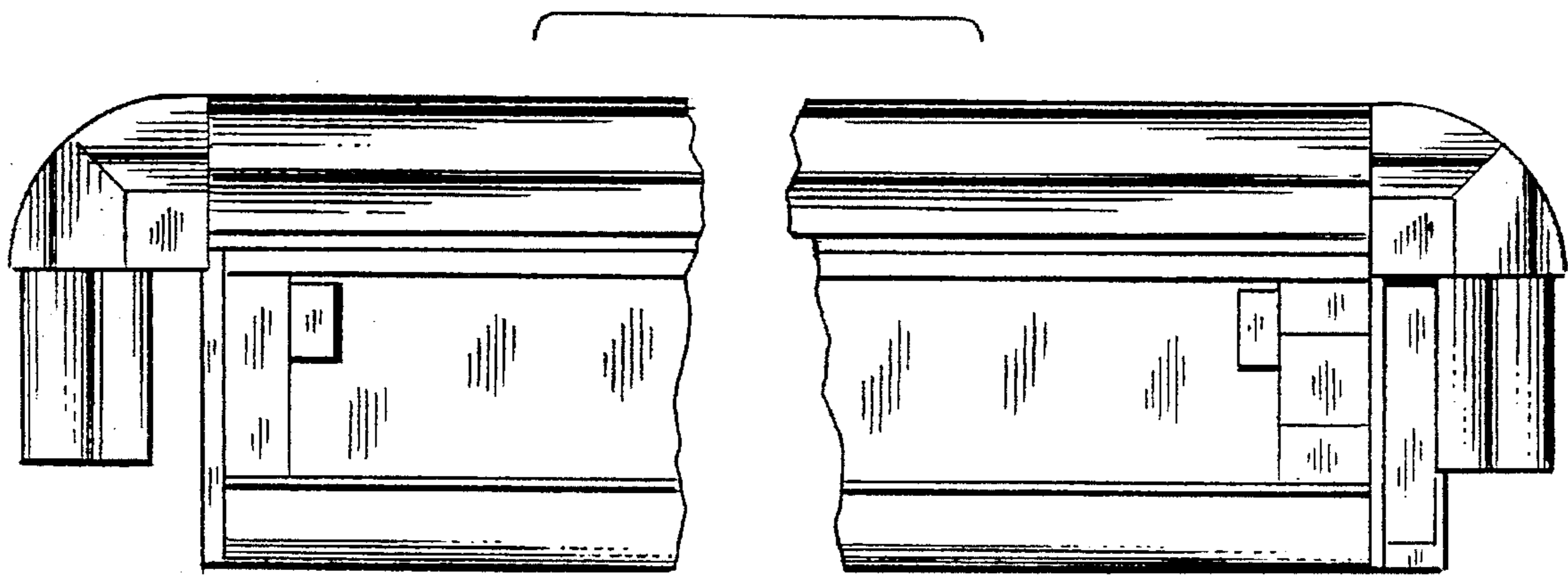


FIG. 5

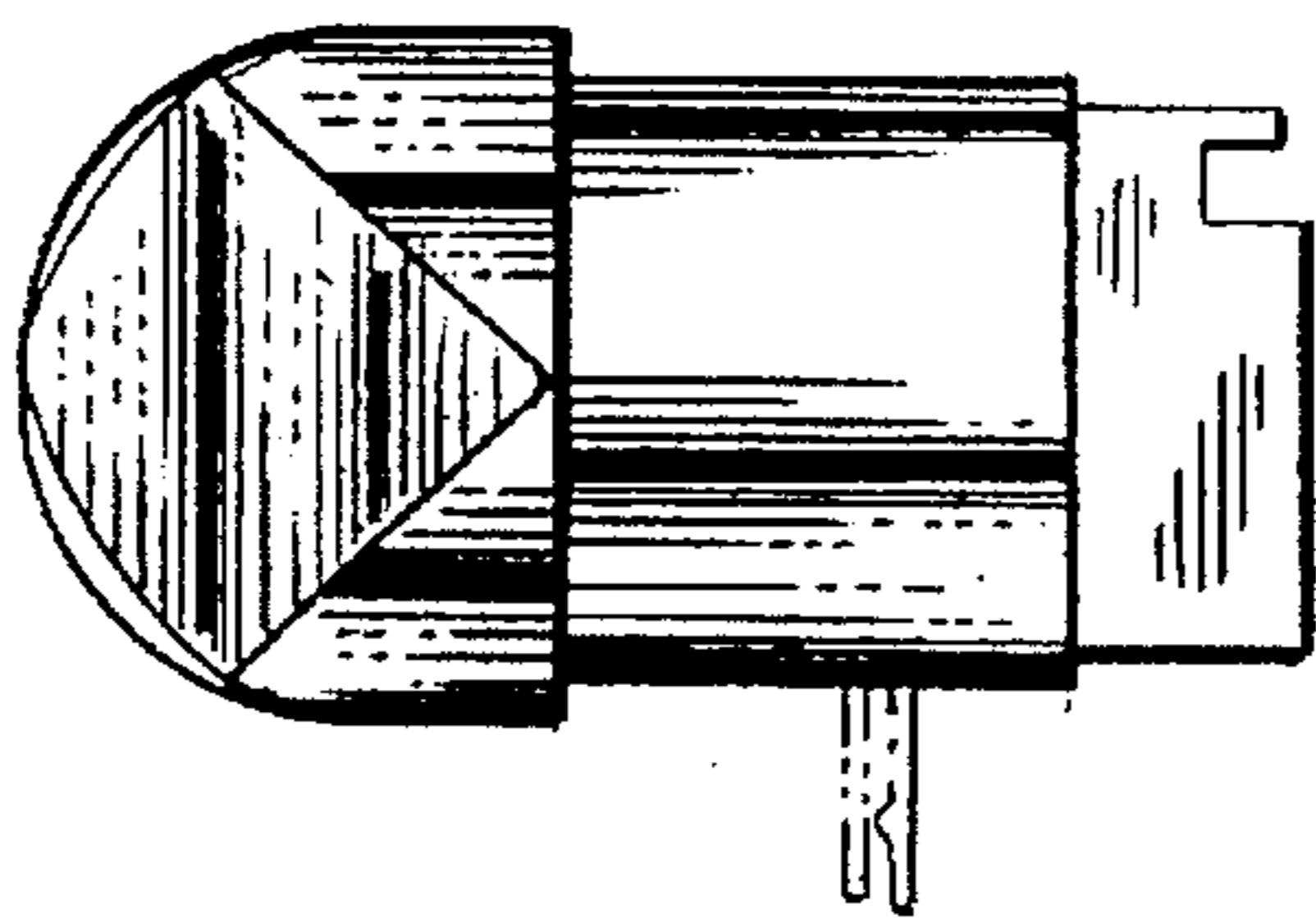


FIG. 6

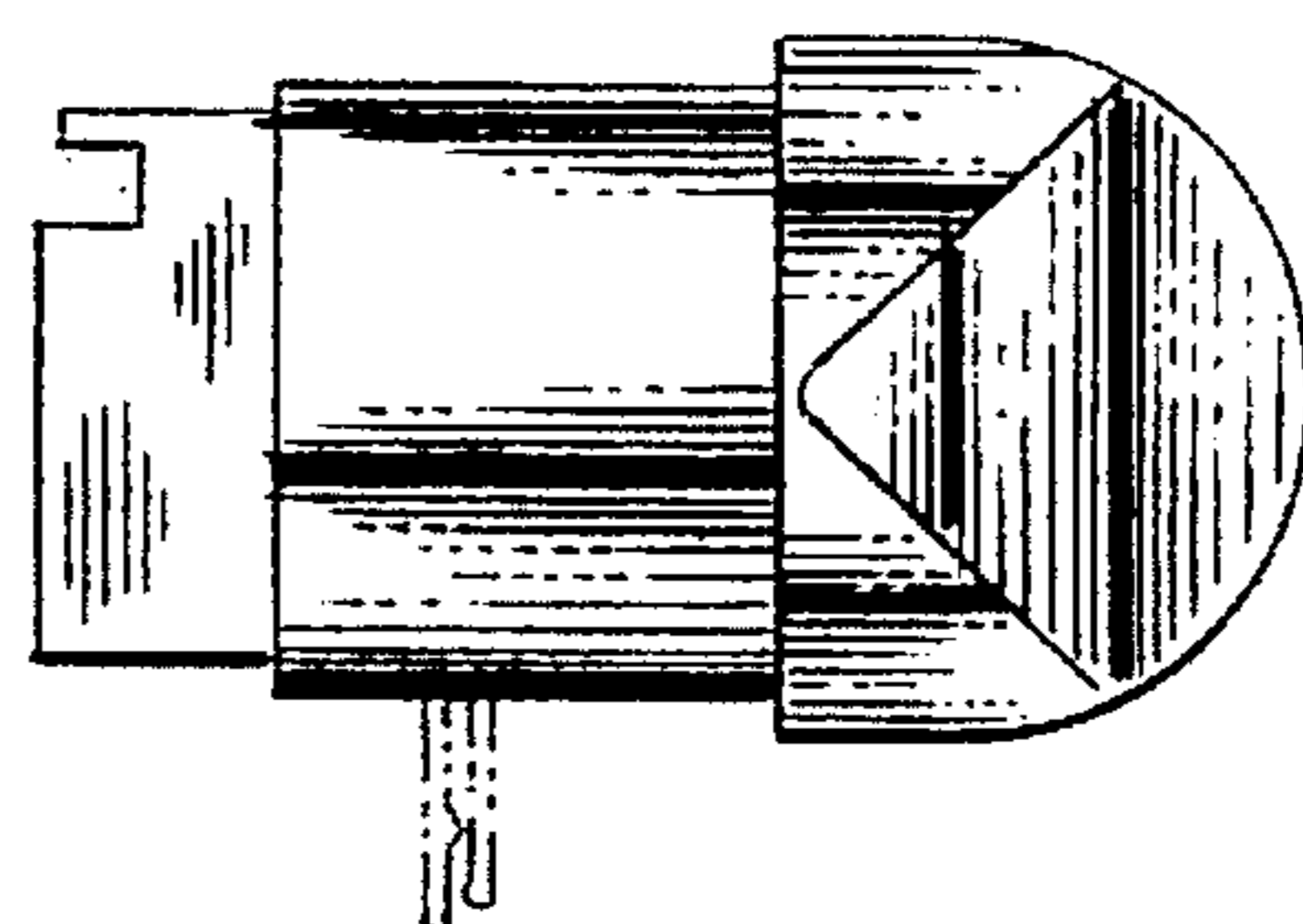


FIG. 7