



US00D380329S

United States Patent [19] Chou

[11] Patent Number: **Des. 380,329**

[45] Date of Patent: ****Jul. 1, 1997**

[54] **VERTICAL BLIND VALANCE**

5,033,525 7/1991 Paeselt 160/19 X
5,330,821 7/1994 Lo 248/265 X

[75] Inventor: **Gene Chou**, Villa Park, Calif., also known as Ming Chun Chou

Primary Examiner—B. J. Bullock
Assistant Examiner—Linda Brooks

[73] Assignee: **Rainbow Industrial, Inc.**, Anaheim, Calif.

[57] **CLAIM**

[**] Term: **14 Years**

The ornamental design for a vertical blind valance, as shown and described.

[21] Appl. No.: **43,832**

DESCRIPTION

[22] Filed: **Aug. 10, 1995**

FIG. 1 is a perspective view of a vertical blind valance showing my new design;

[51] LOC (6) Cl. **06-10**

FIG. 2 is a front elevational view thereof;

[52] U.S. Cl. **D6/579**

FIG. 3 is a plan view thereof;

[58] Field of Search D6/577, 579; D8/376; D26/75-78; D25/55, 60, 121, 153; 160/166.1, 167, 168 R, 194, 173 R, 230, 235, 236, 330, 348, 349.1, 349.2; 248/261-265

FIG. 4 is a rear elevational view thereof;

FIG. 5 is a bottom elevational view thereof;

FIG. 6 is a right side elevational view thereof; and,

FIG. 7 is a left side elevational view thereof.

FIGS. 1-5 are shown broken away to indicate indeterminate length, it being understood that the design continues uniformly along any length.

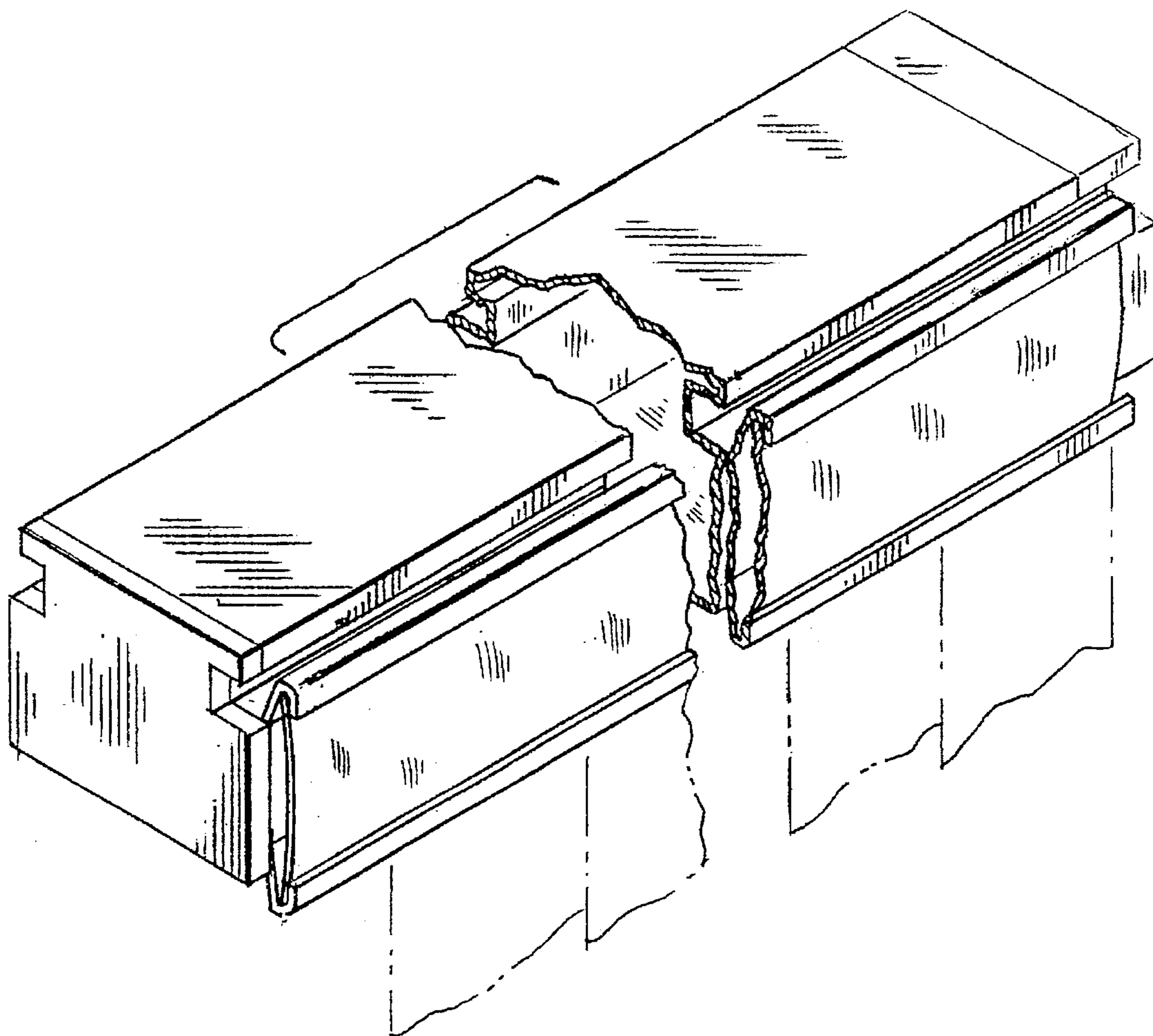
[56] **References Cited**

The broken line illustration of vertical blinds in FIGS. 1, 2, 4, 6, and 7 is for illustrative purposes only and form no part of the claimed design.

U.S. PATENT DOCUMENTS

- D. 162,361 3/1951 Stevens D25/55
- D. 165,515 12/1951 Eckert 160/19
- D. 337,469 7/1993 Young et al. D6/580
- D. 364,300 11/1995 Ohanesian D8/376 X

1 Claim, 2 Drawing Sheets



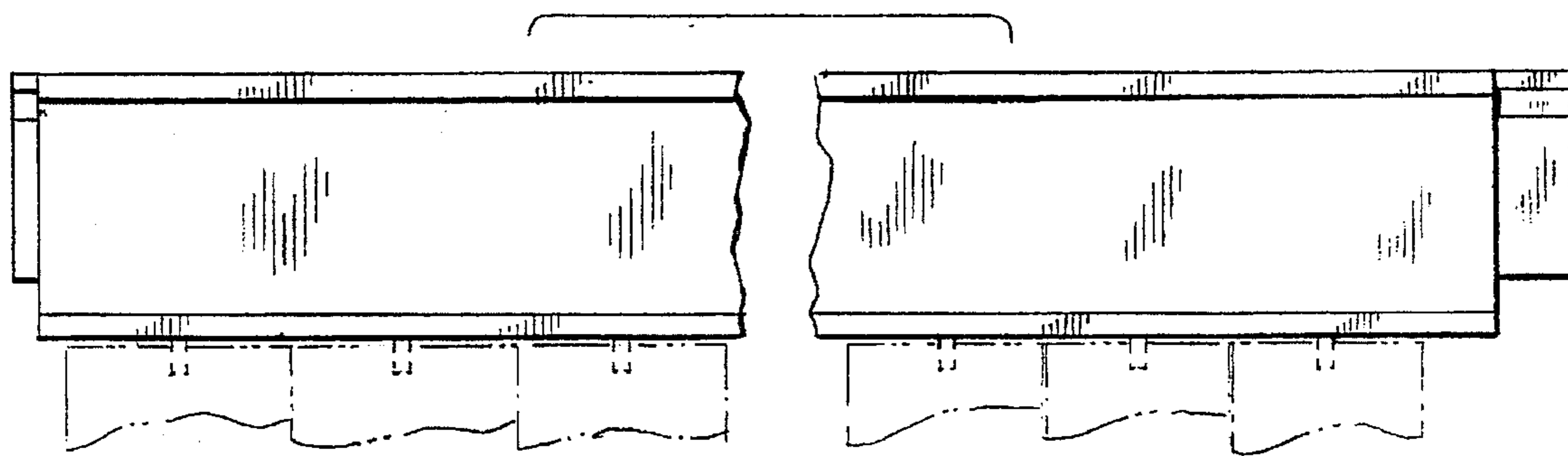
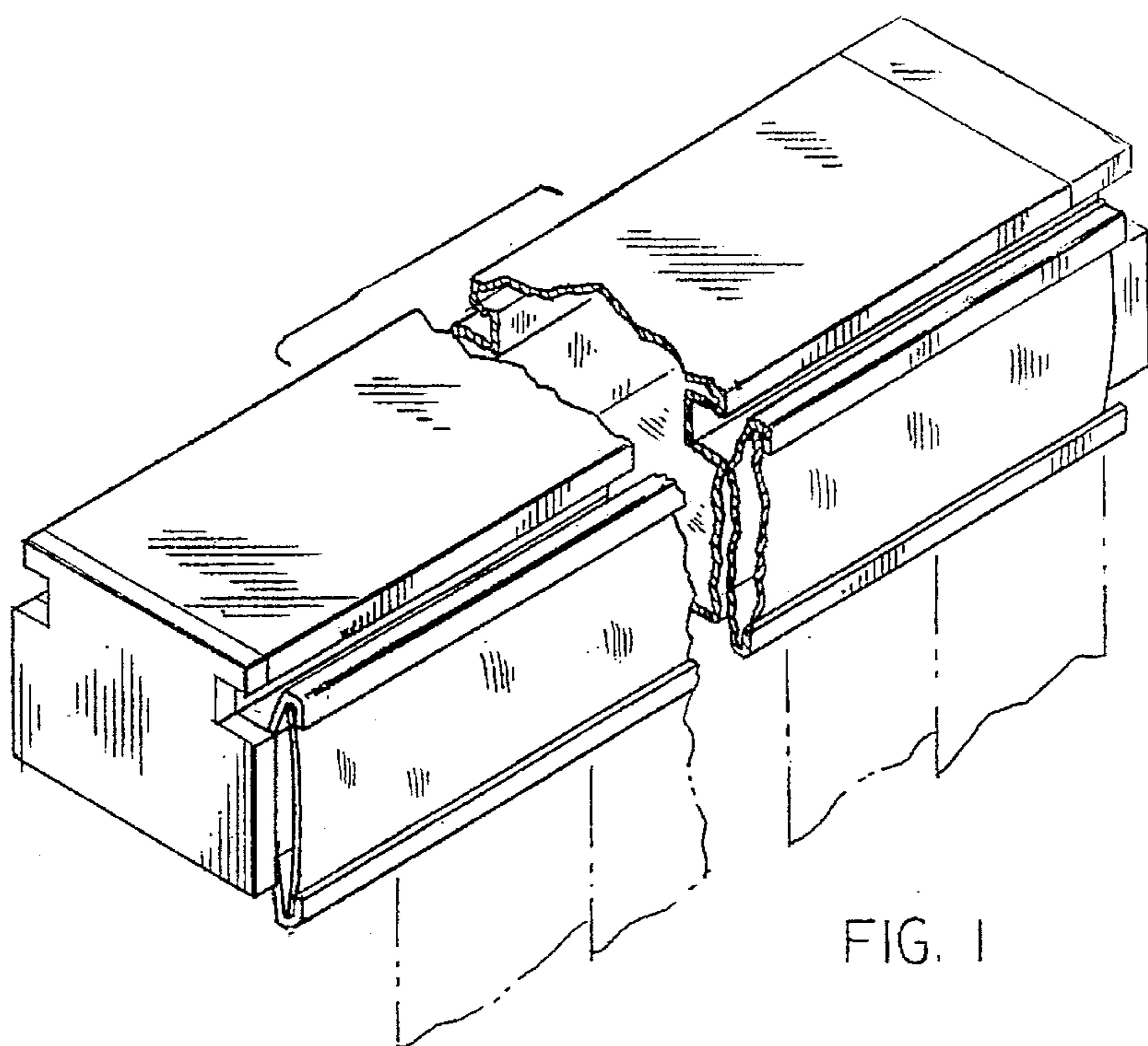


FIG. 2

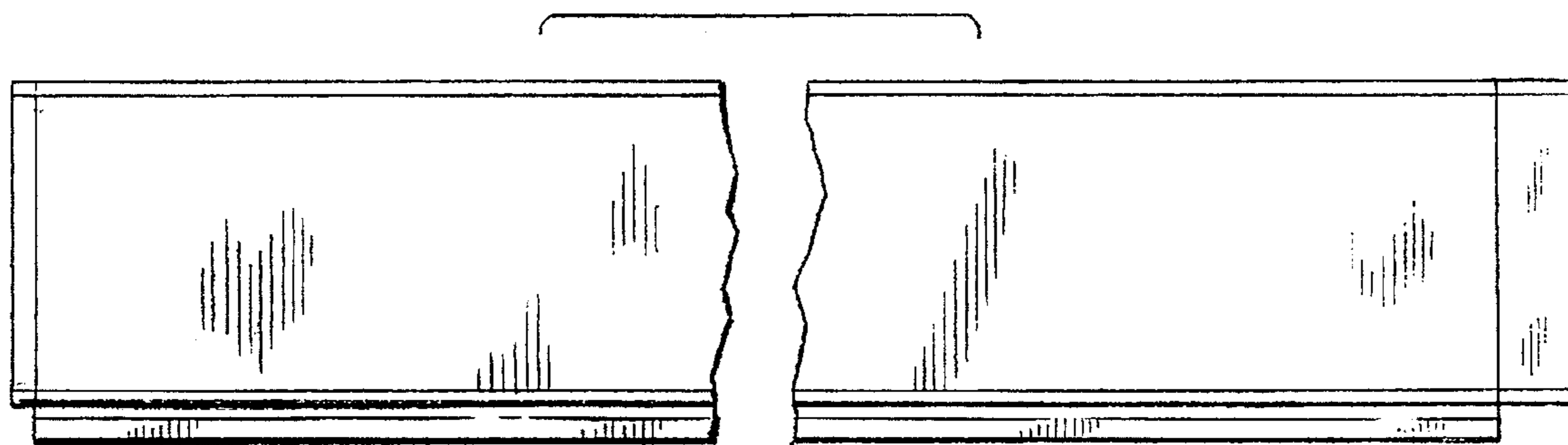


FIG. 3

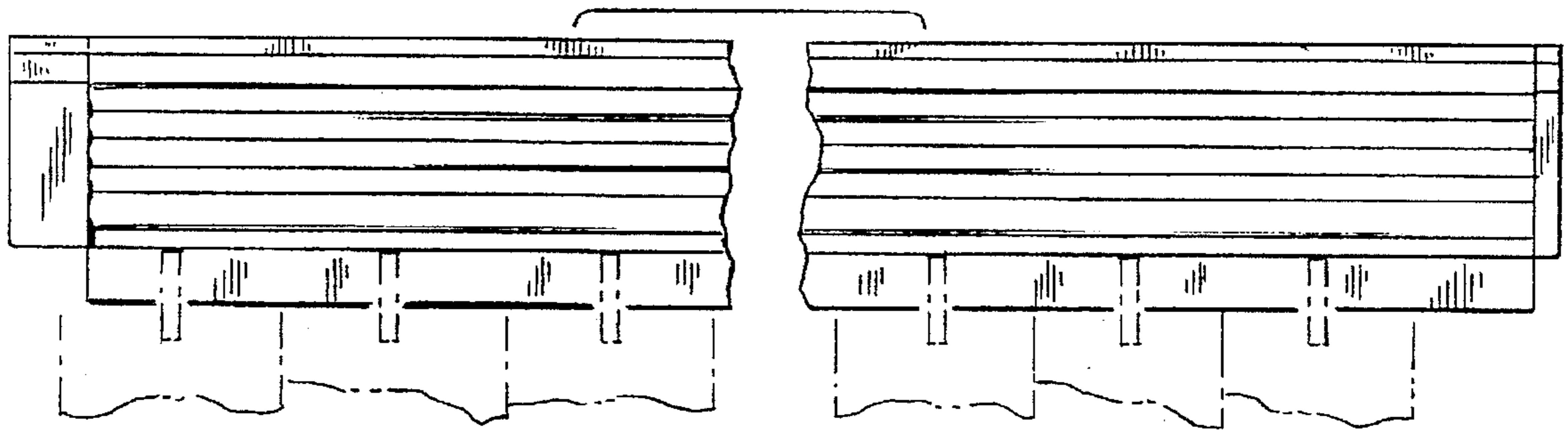


FIG. 4

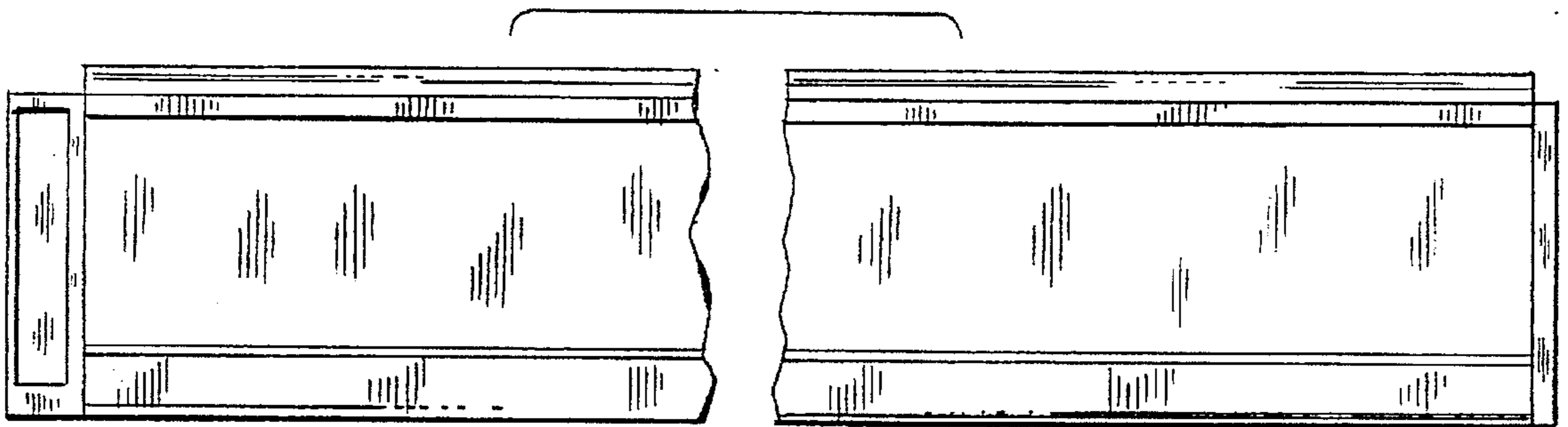


FIG. 5

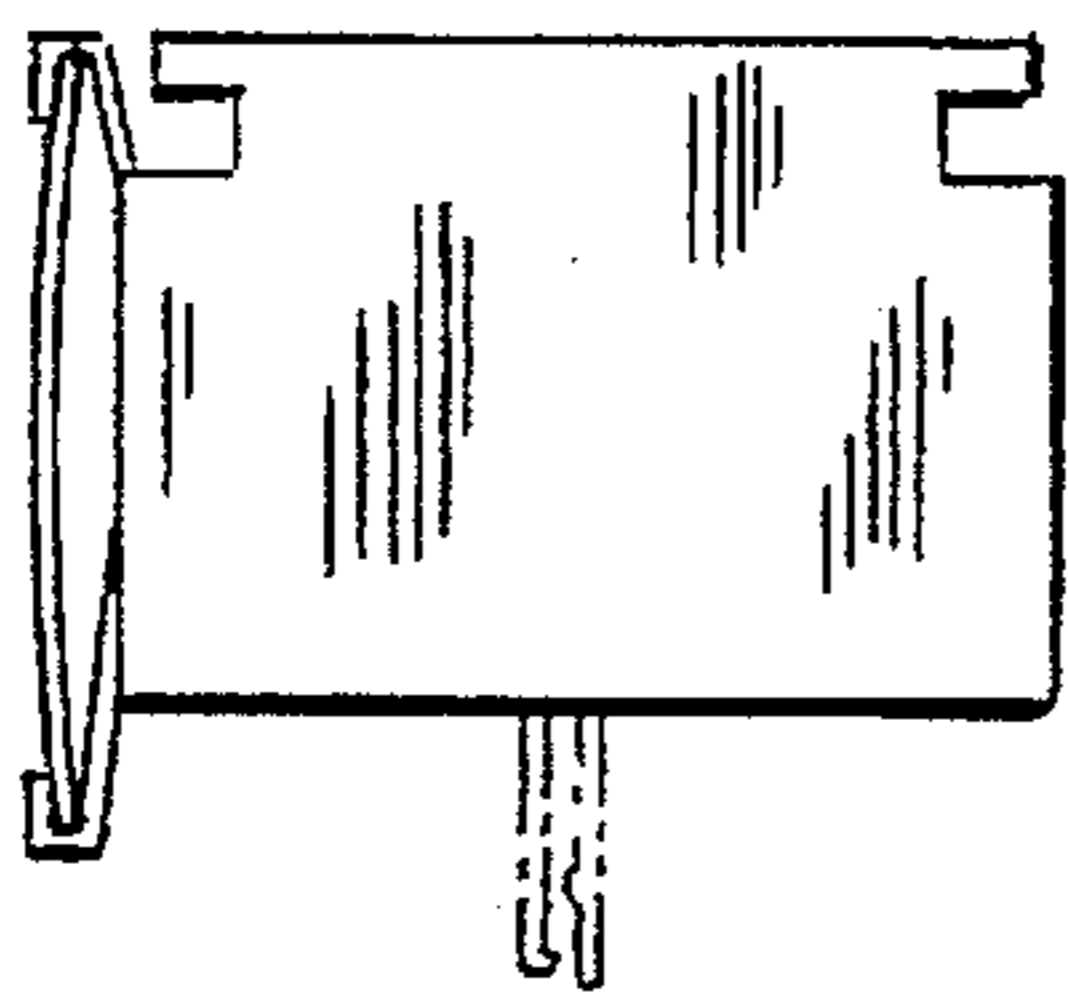


FIG. 6

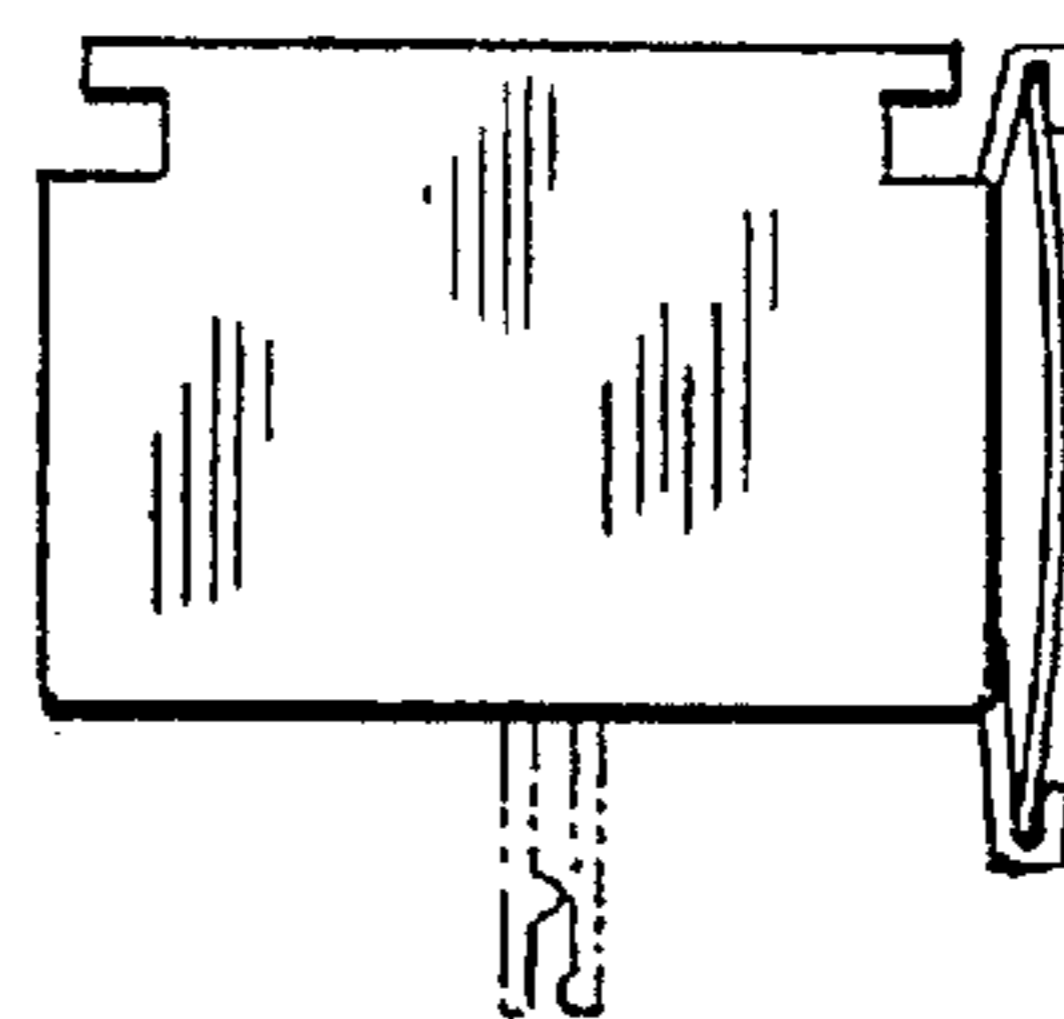


FIG. 7