



US00D380327S

# United States Patent [19]

Marshall et al.

[11] Patent Number: **Des. 380,327**

[45] Date of Patent: **\*\*Jul. 1, 1997**

[54] **FISHING ROD HOLDER**

[76] Inventors: **Milford A. Marshall; Guy M. Marshall**, both of 3300 Main St., Apt. 1, Forest Grove, Oreg. 97116

[\*\*] Term: **14 Years**

[21] Appl. No.: **47,032**

[22] Filed: **Nov. 27, 1995**

[51] LOC (6) Cl. .... **07-07**

[52] U.S. Cl. .... **D6/552**

[58] Field of Search ..... D8/349, 354, 356, D8/363, 367, 368, 370, 373, 380; D6/552, 566; 248/200, 215, 217.4, 218.1, 218.2, 302, 303, 309.1, 309.2

[56] **References Cited**

**U.S. PATENT DOCUMENTS**

D. 115,773 7/1939 Strand ..... D8/367

D. 283,787 5/1986 Chap ..... D8/370 X  
D. 348,165 6/1994 Walaski ..... D6/513 X  
712,724 11/1902 Ross ..... 248/217.4 X

*Primary Examiner*—Brian N. Vinson  
*Attorney, Agent, or Firm*—Harold H. Dutton, Jr.; W. Charles L. Jamison; Diane F. Liebman

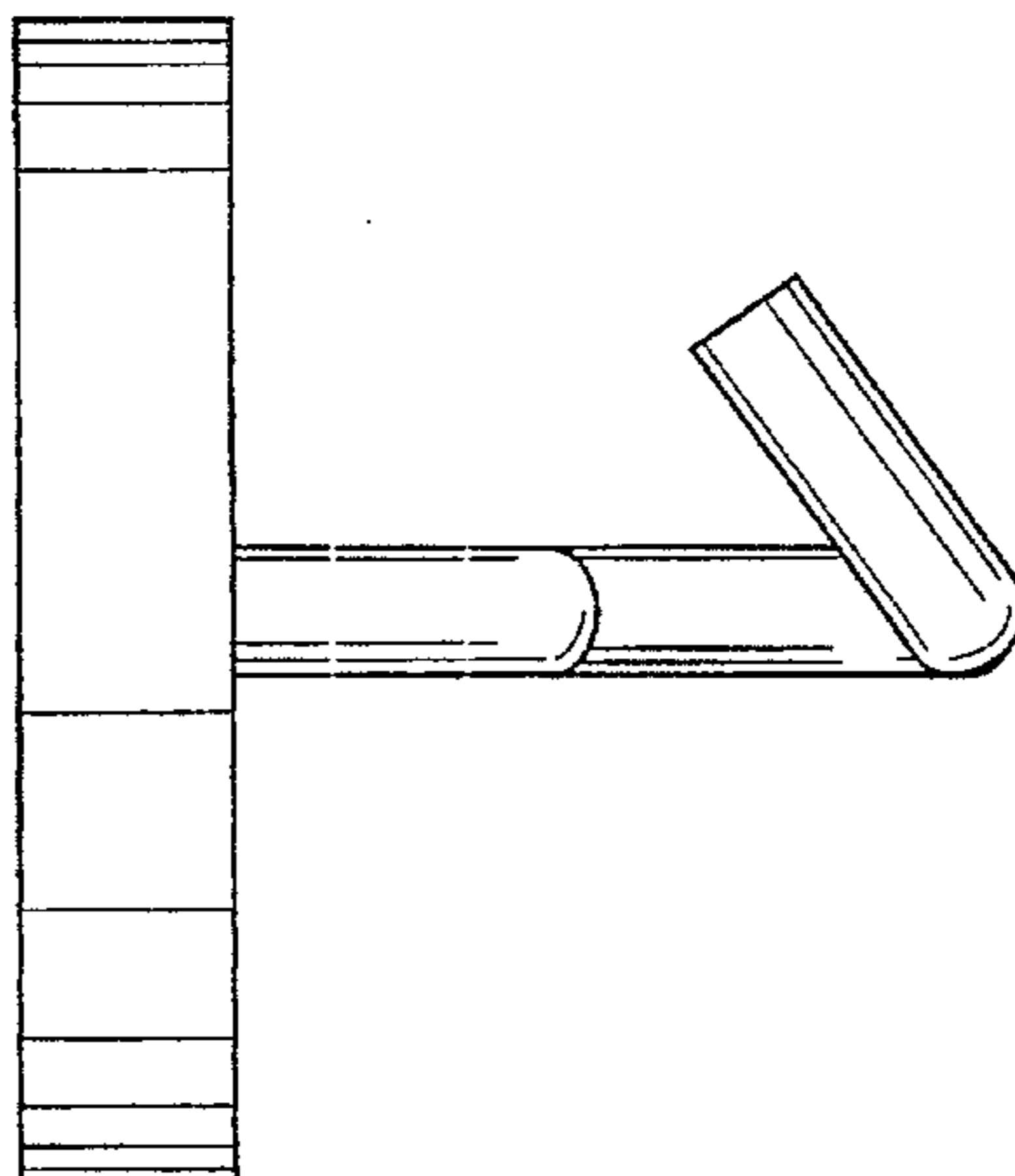
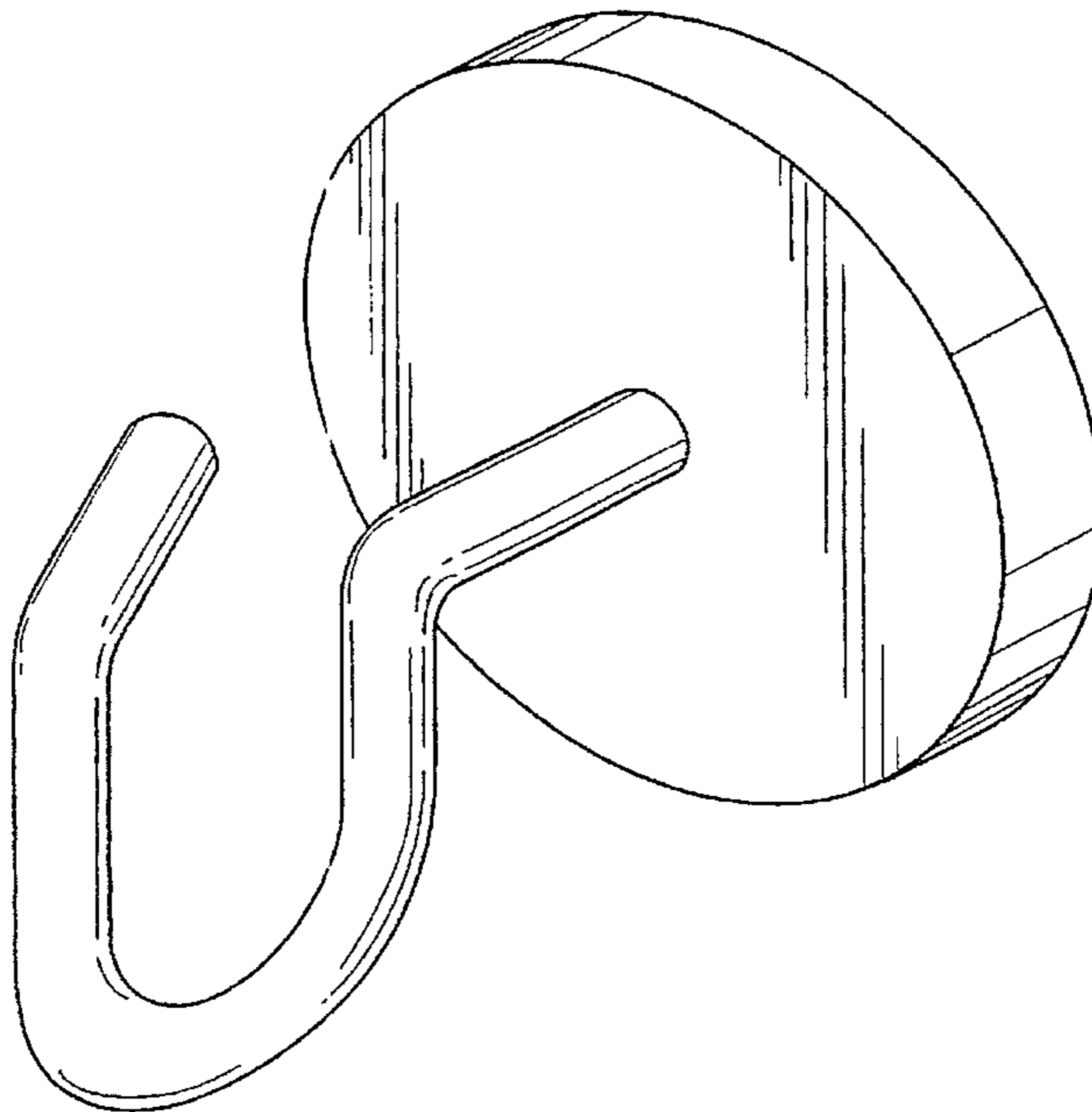
[57] **CLAIM**

The ornamental design for a fishing rod holder, as shown.

**DESCRIPTION**

FIG. 1 is a perspective view of a fishing rod holder showing our new design;  
FIG. 2 is a rear view thereof;  
FIG. 3 is a top view thereof;  
FIG. 4 is a left side view thereof;  
FIG. 5 is a right side view thereof; and,  
FIG. 6 is a bottom view thereof.

**1 Claim, 3 Drawing Sheets**



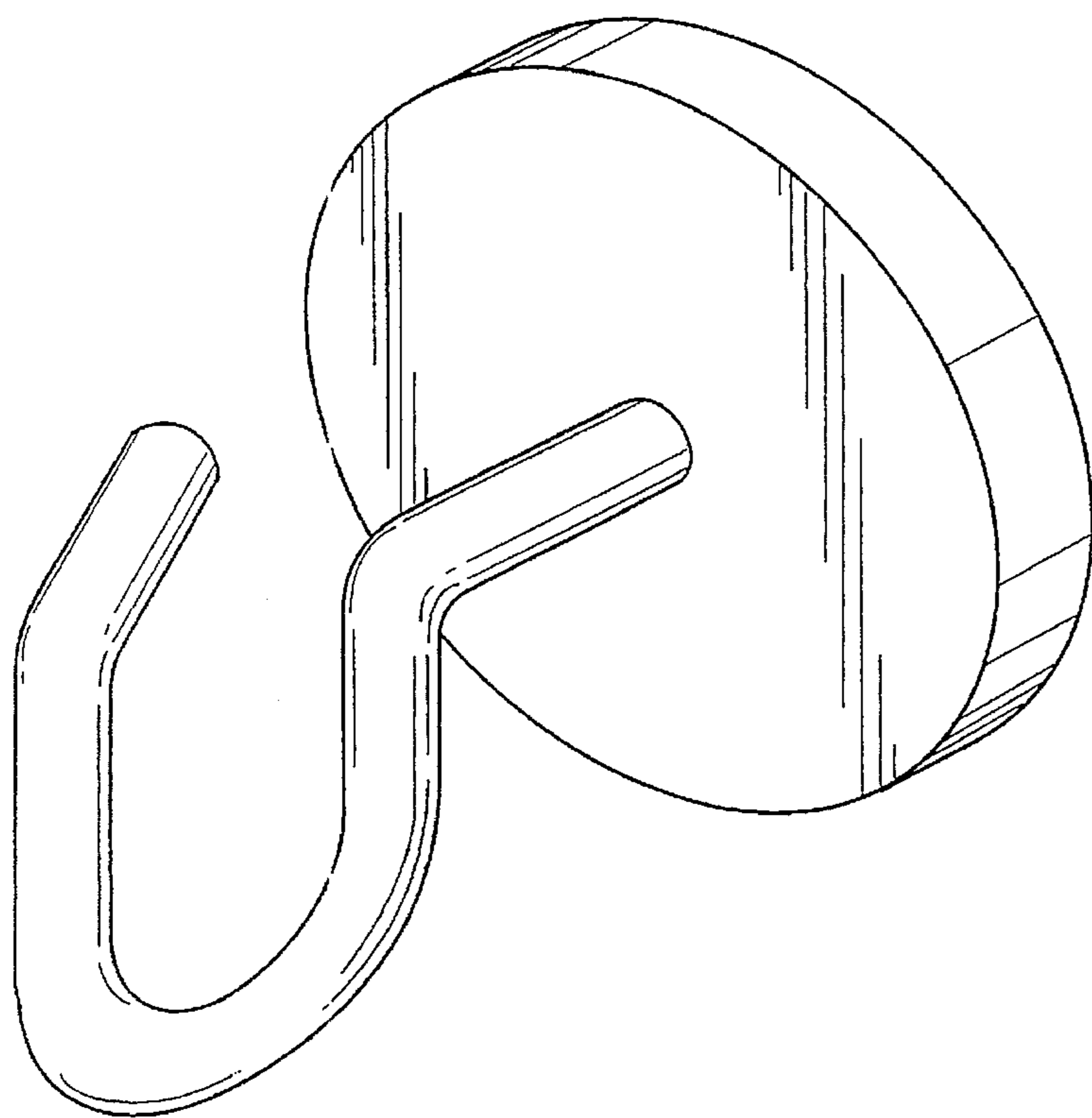


FIG. 1

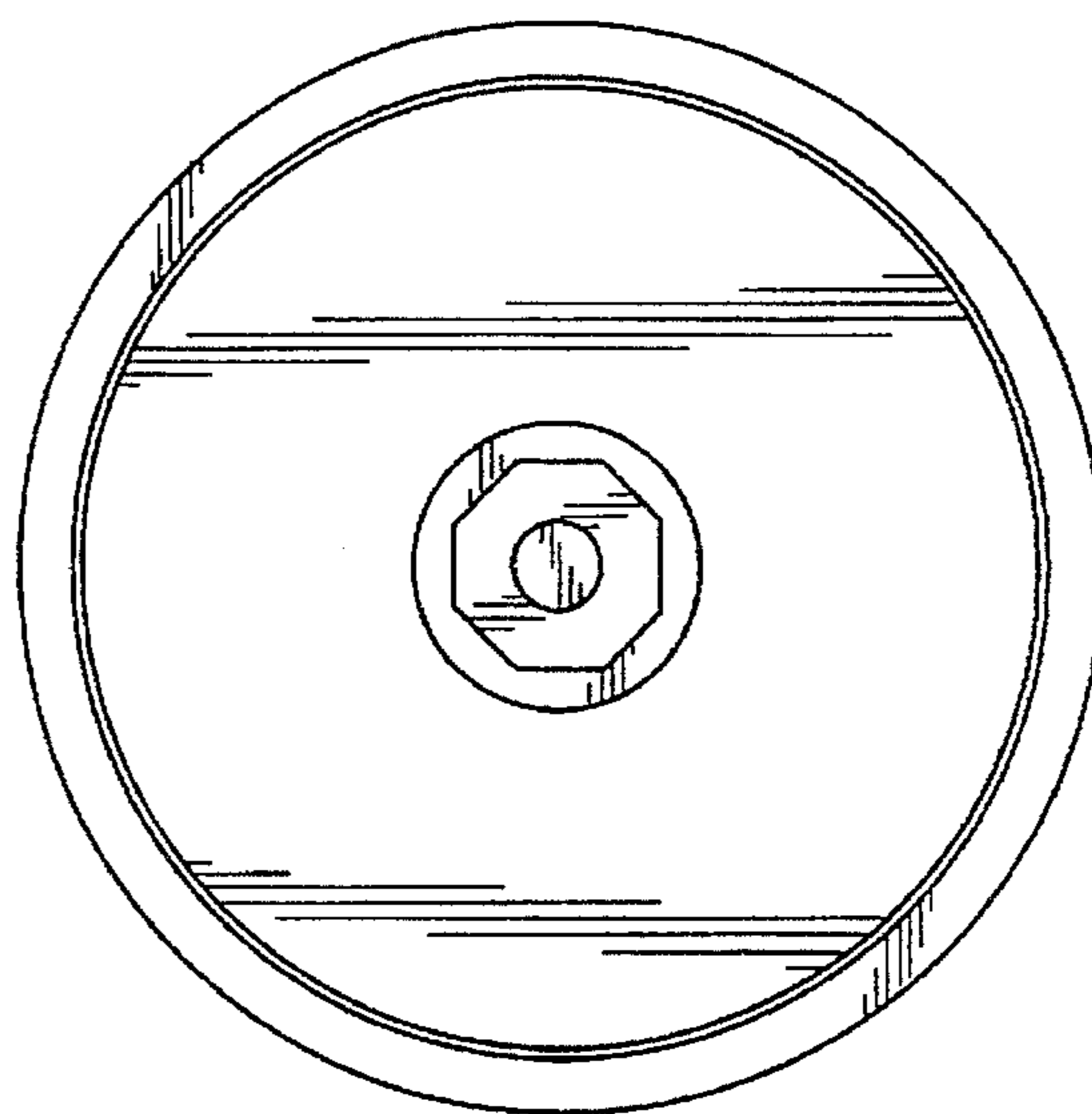


FIG. 2

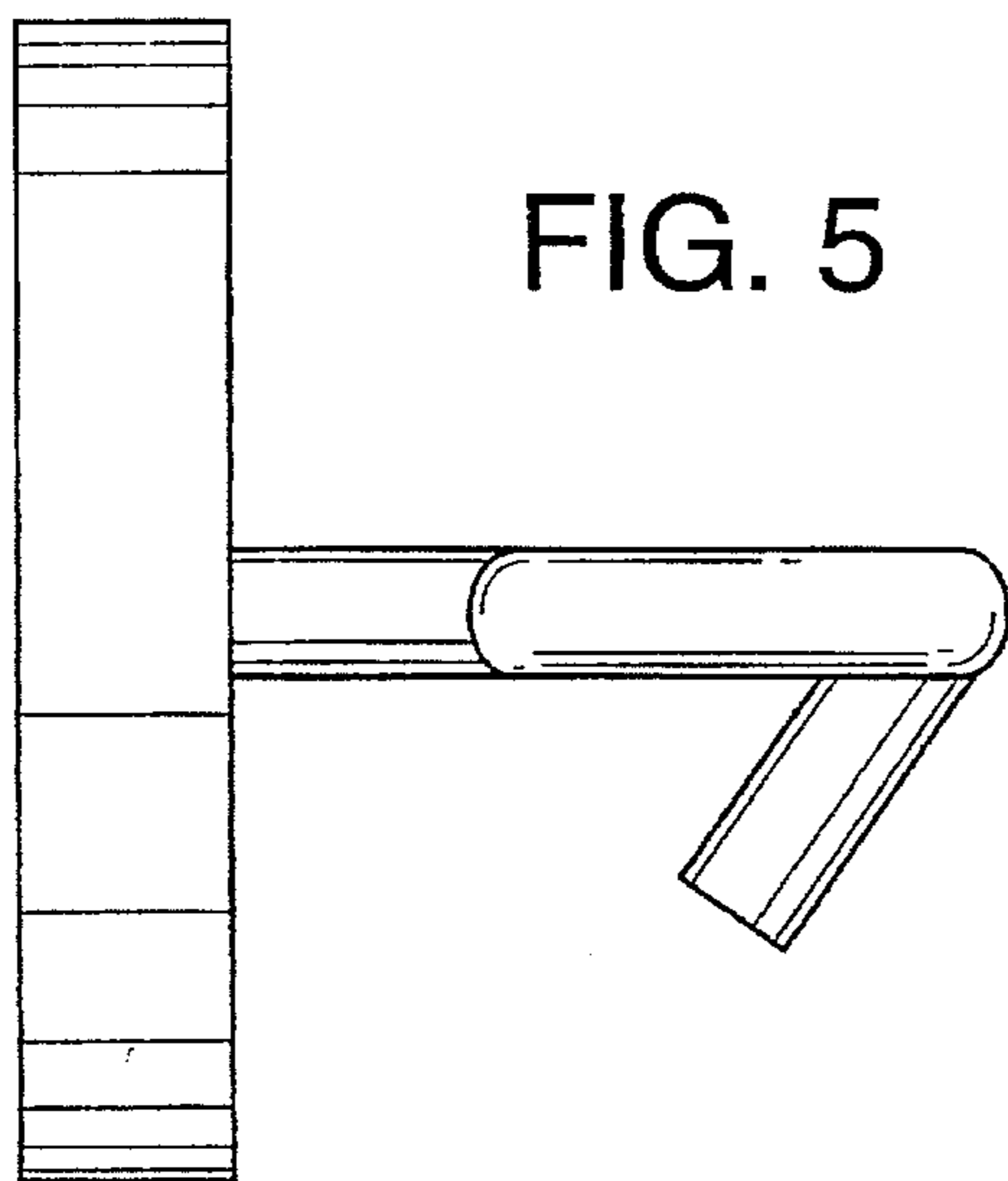
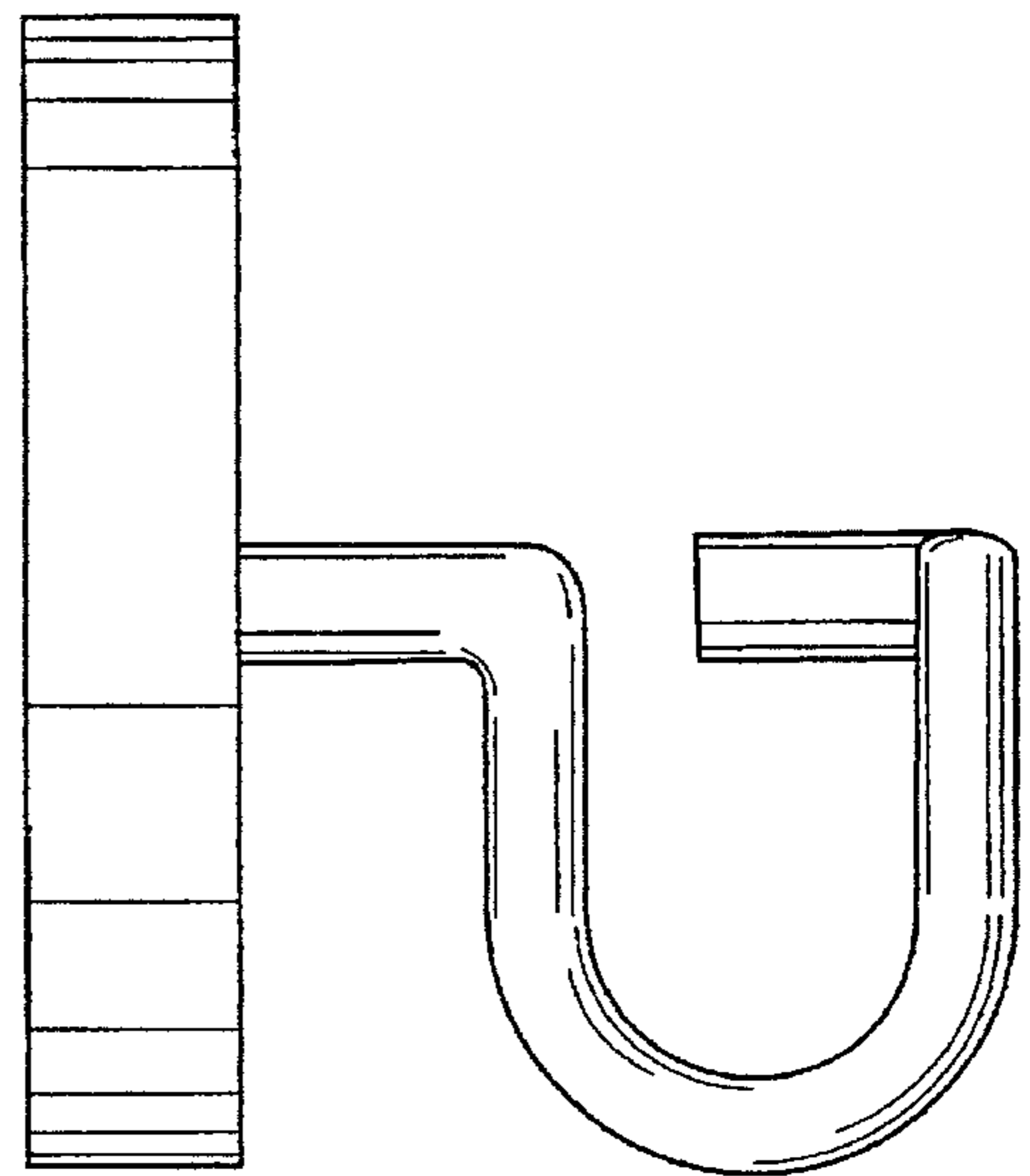
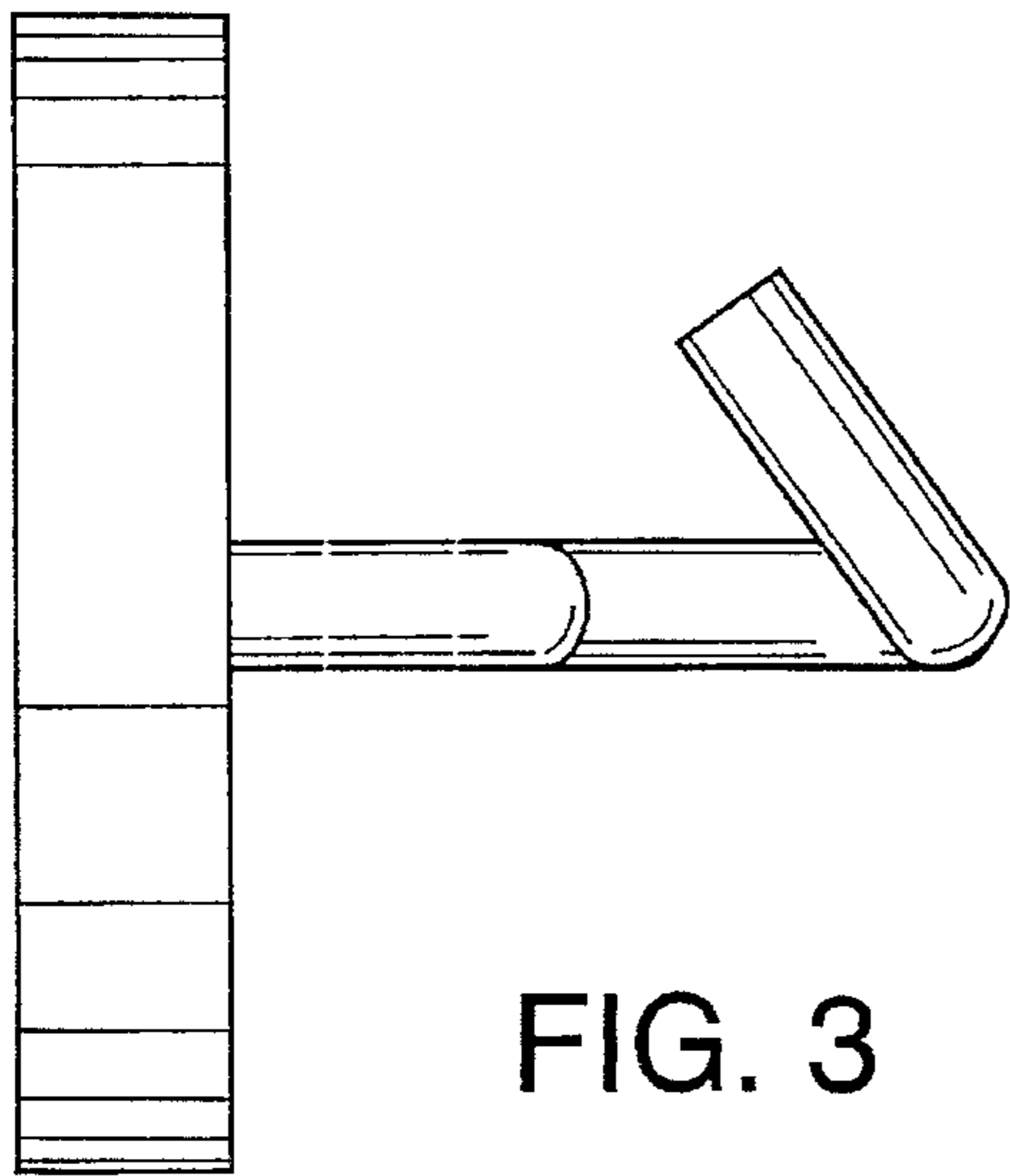


FIG. 4

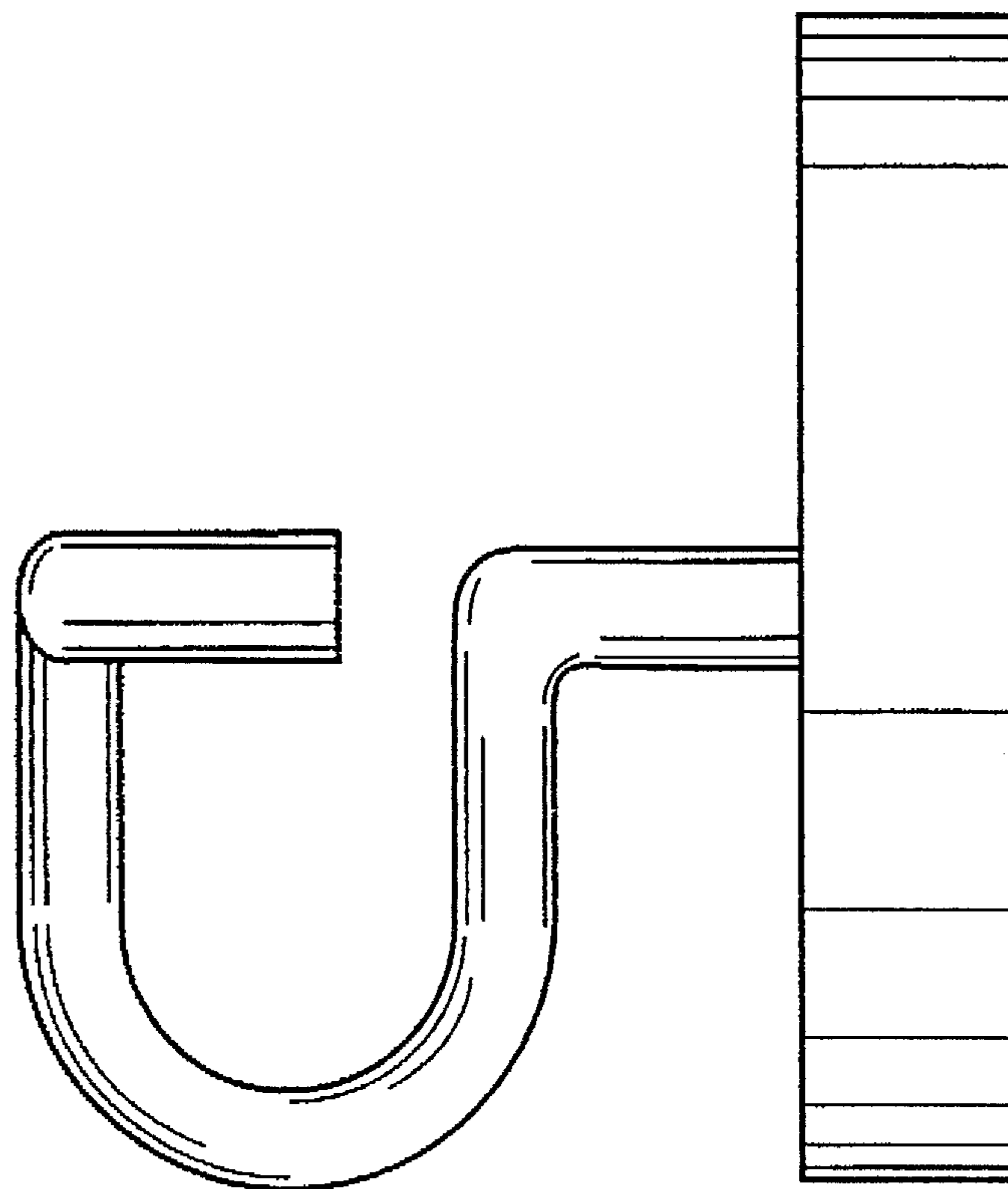


FIG. 6