



US00D380324S

# United States Patent [19]

Kramer et al.

[11] Patent Number: **Des. 380,324**

[45] Date of Patent: **\*\*Jul. 1, 1997**

[54] **MODULAR DISPLAY SHELF**

3,197,926 8/1965 Shumaker ..... D6/477 X  
4,901,872 2/1990 Lang ..... 108/91 X

[75] Inventors: **Barry Kramer**, Stamford, Conn.;  
**Charles E. Levin**, Riverdale, N.Y.

### OTHER PUBLICATIONS

Domus, Aug. 1976, p. 40, table in center.

[73] Assignee: **NYSCO Products, Inc.**, Bronx, N.Y.

*Primary Examiner*—Janice E. Seeger  
*Attorney, Agent, or Firm*—Kenyon & Kenyon

[\*\*] Term: **14 Years**

### [57] CLAIM

[21] Appl. No.: **40,953**

The ornamental design for a modular display shelf, as shown and described.

[22] Filed: **Jun. 30, 1995**

[51] **LOC (6) Cl.** ..... **06-06**

### DESCRIPTION

[52] **U.S. Cl.** ..... **D6/511**

[58] **Field of Search** ..... D6/480-489, 495,  
D6/497, 499, 406, 349, 477, 479, 475;  
211/186, 188; 108/91, 92; D19/92, 86

**FIG. 1** is a perspective view of our new modular display shelf design;

**FIG. 2** is a top plan view thereof;

**FIG. 3** is a front elevation view thereof;

**FIG. 4** is a right side elevation view thereof;

**FIG. 5** is a rear elevation view thereof; and,

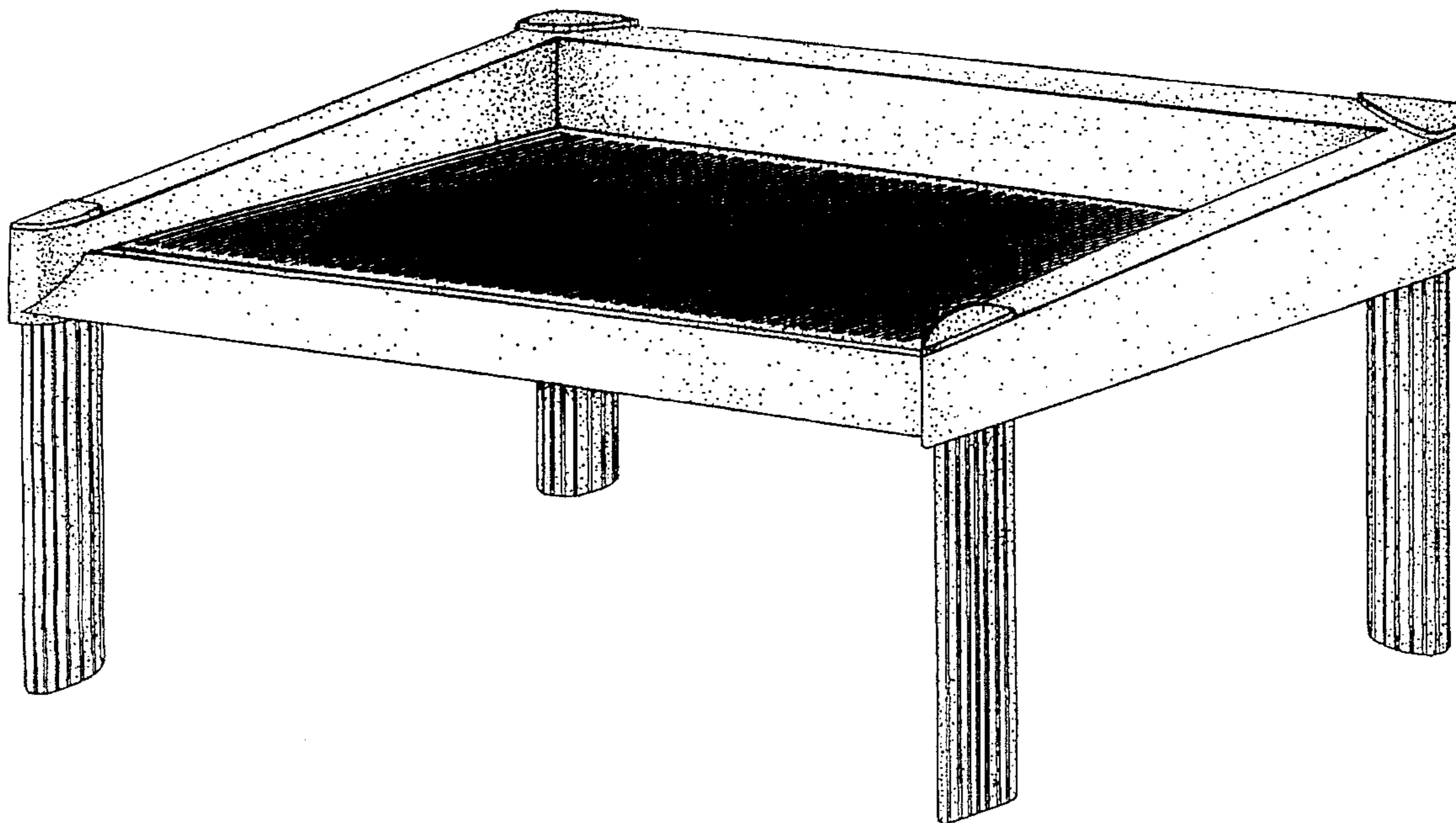
**FIG. 6** is a bottom plan view thereof.

### [56] References Cited

#### U.S. PATENT DOCUMENTS

D. 293,635 1/1988 Goetz ..... D6/449  
D. 330,652 11/1992 Goetz ..... D6/479  
D. 367,784 3/1996 Goetz ..... D6/479

**1 Claim, 6 Drawing Sheets**



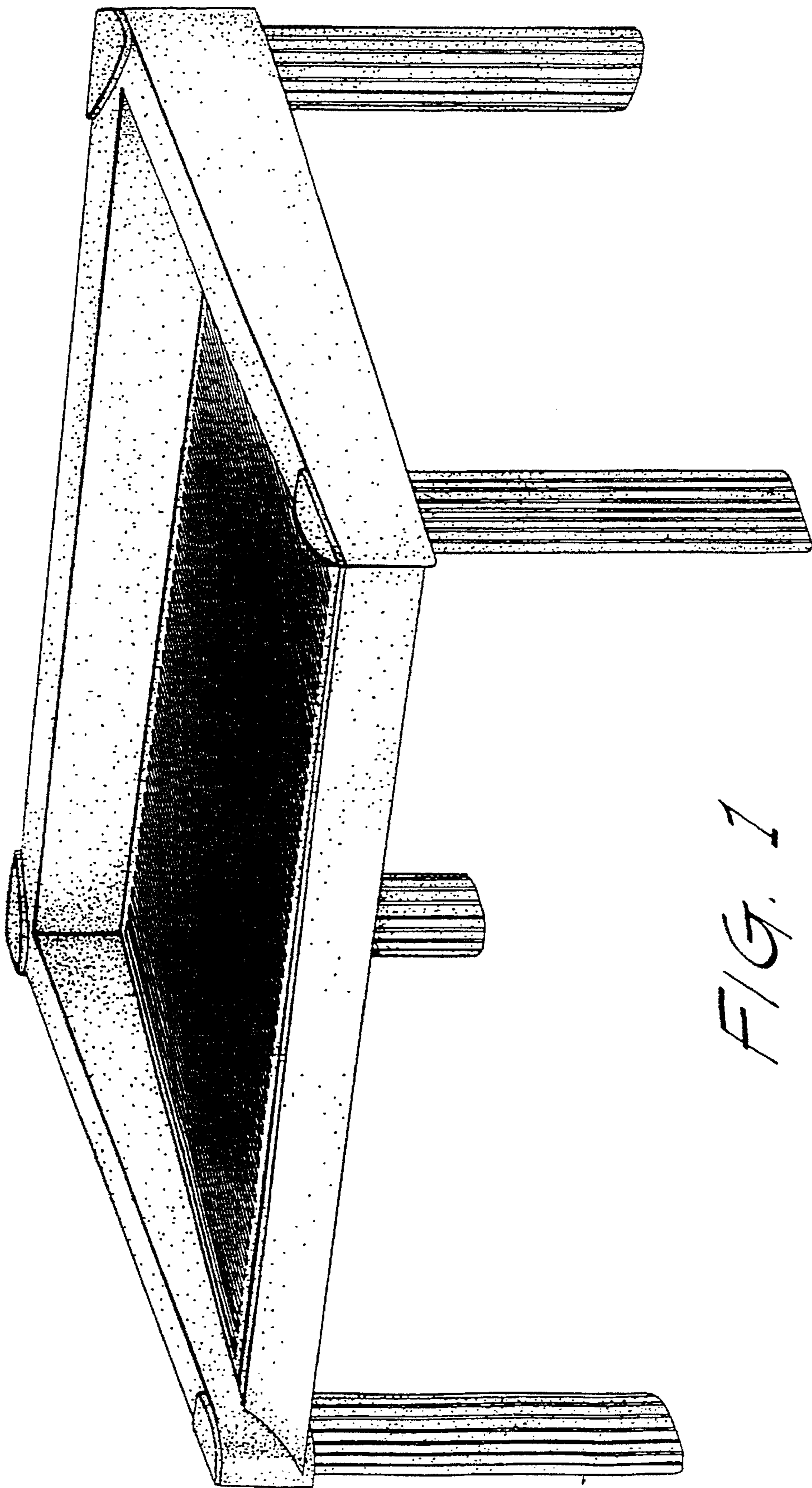


FIG. 1

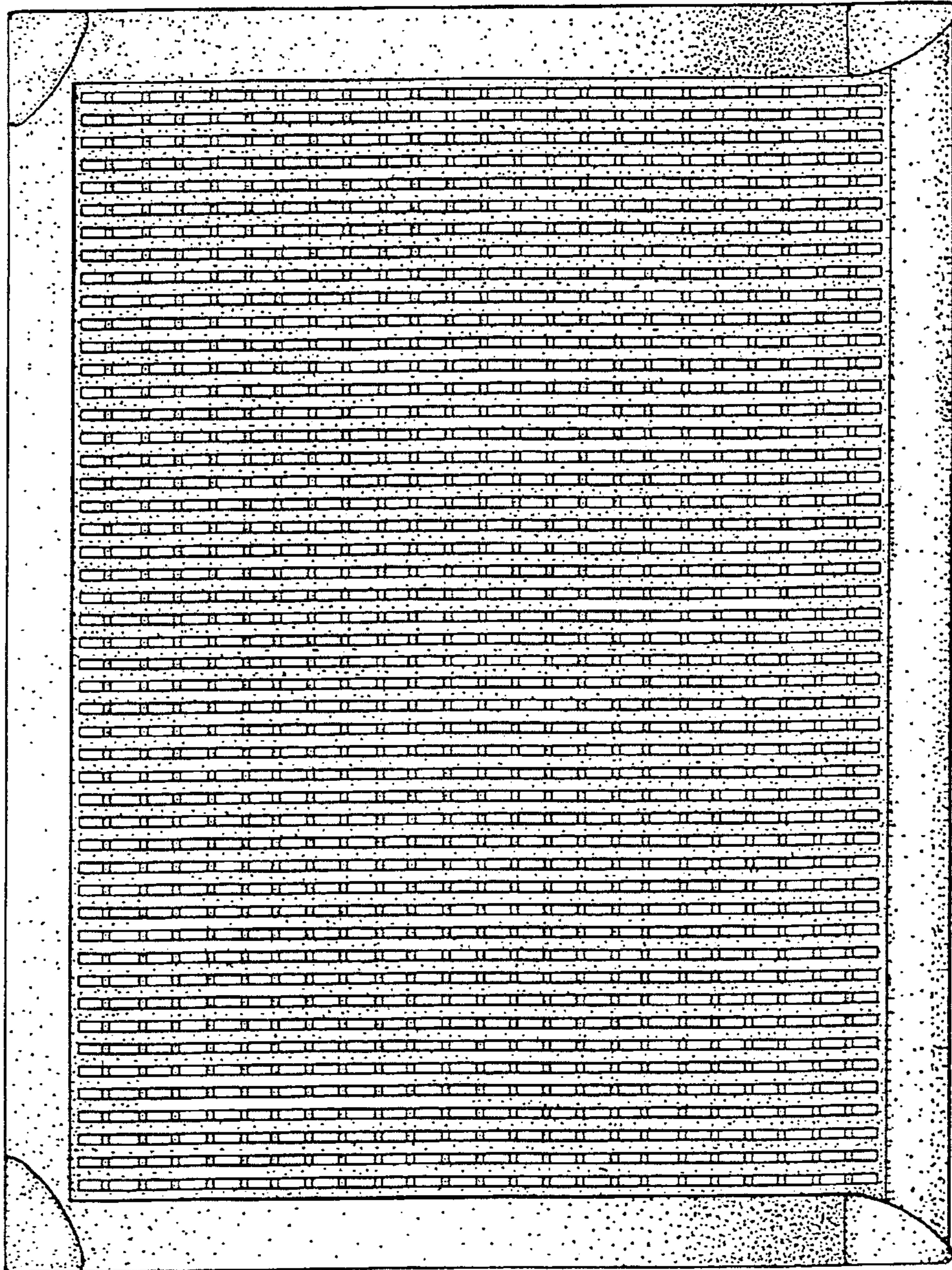


FIG. 2.

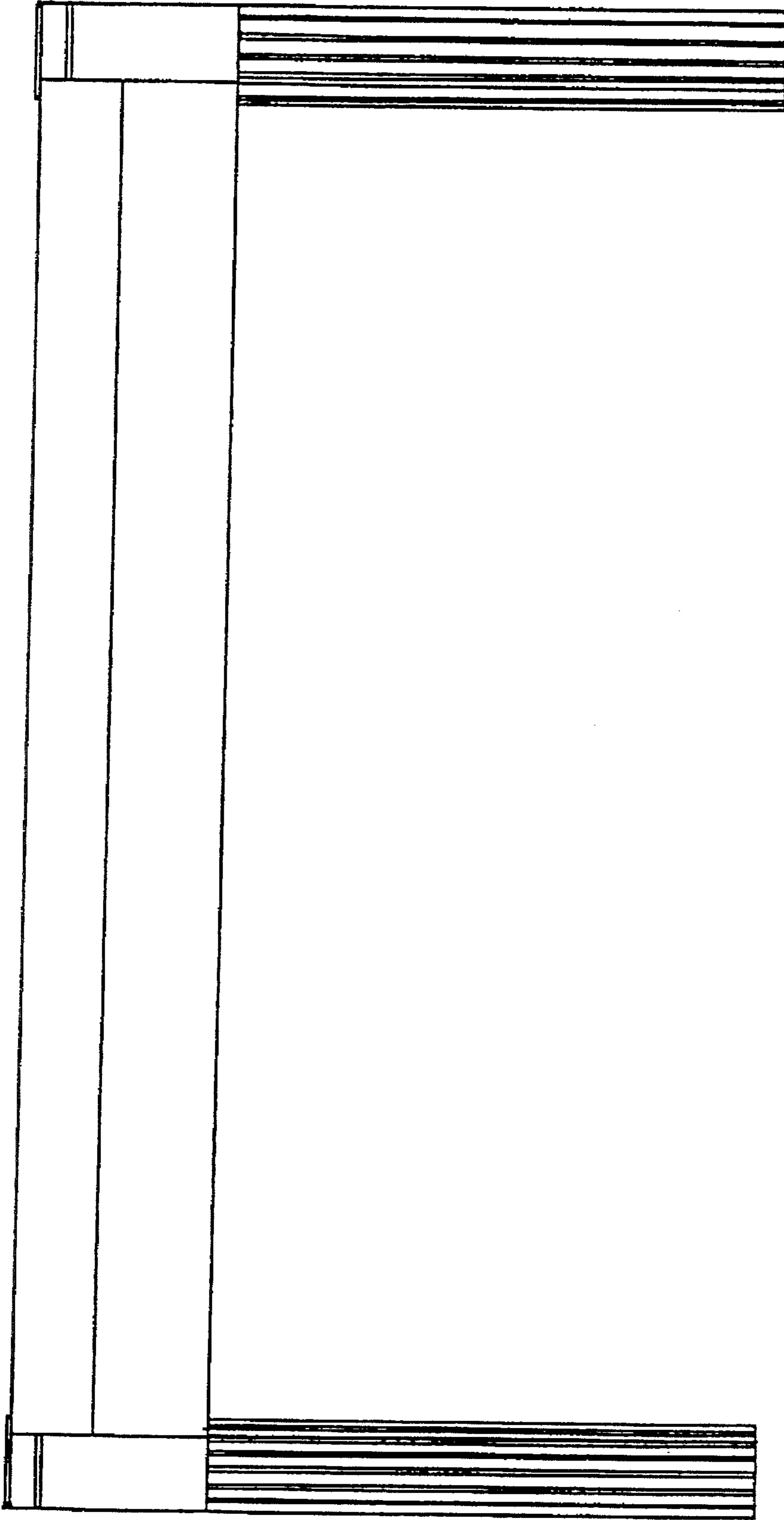


FIG. 3.

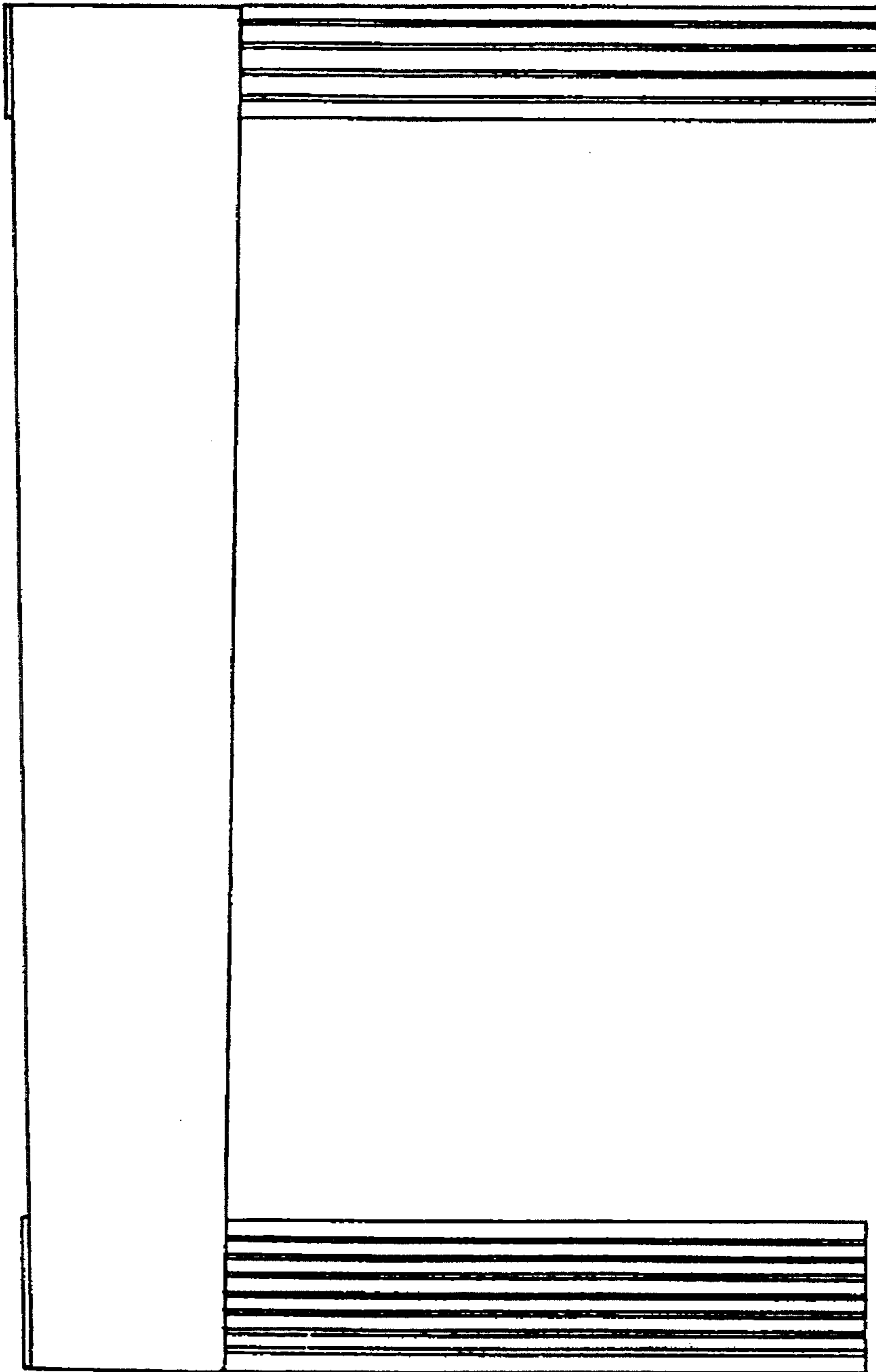
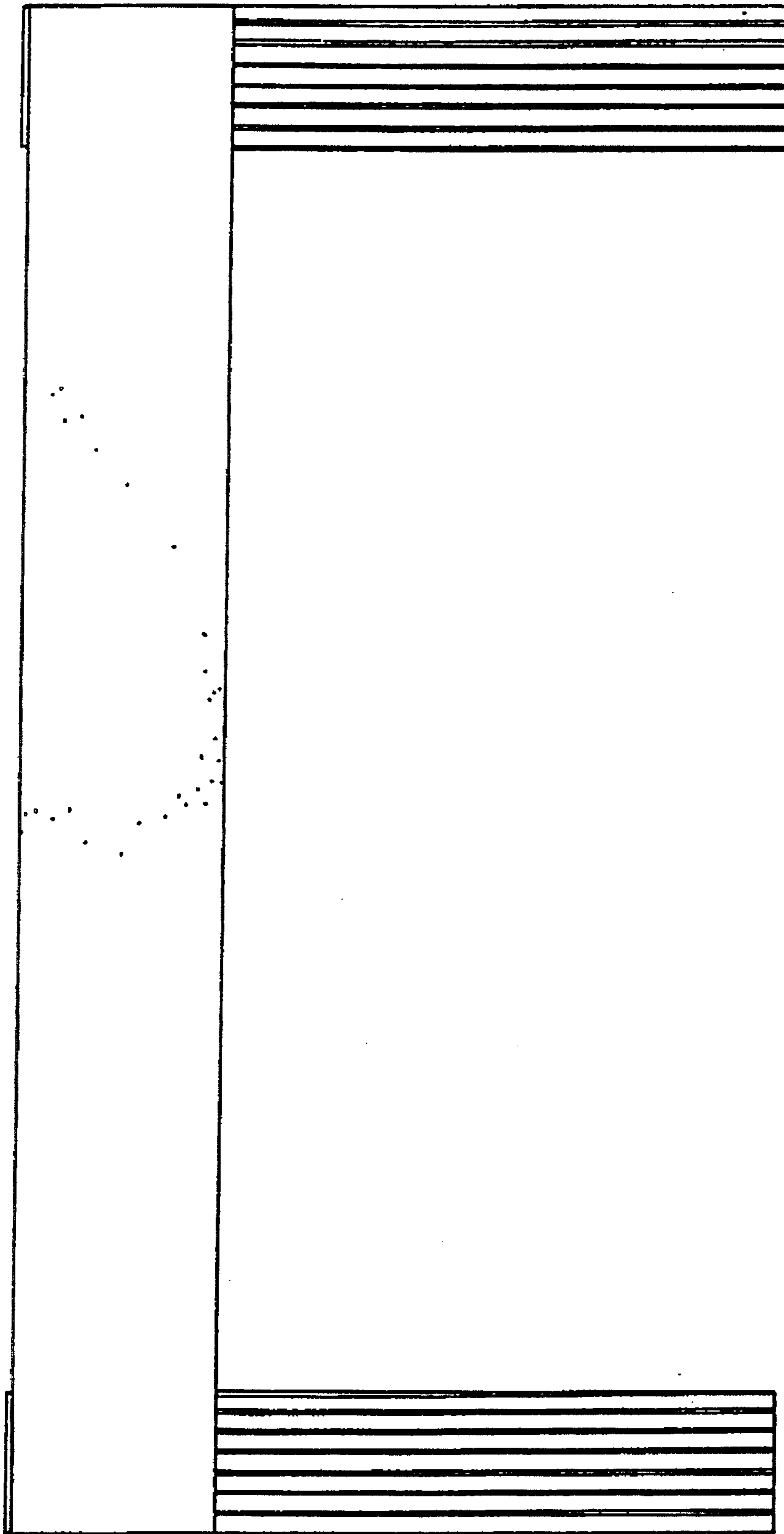


FIG. 4.



*Fig. 5.*

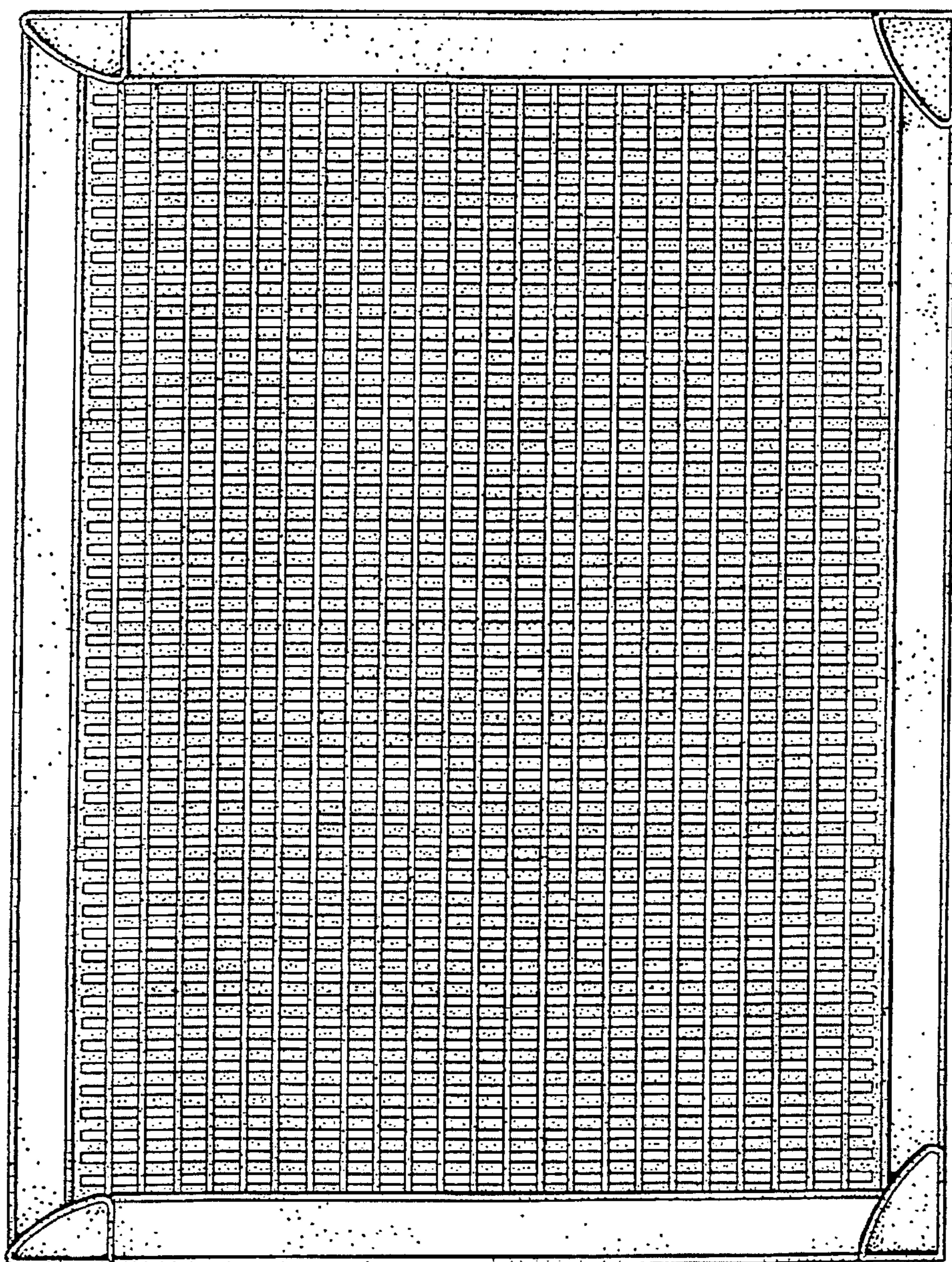


FIG. 6-