



US00D380322S

# United States Patent [19]

[11] Patent Number: **Des. 380,322**

Walters, III et al.

[45] Date of Patent: **\*\*Jul. 1, 1997**

[54] **OPEN LATTICE PANEL**

[75] Inventors: **Guy A. Walters, III**, High Point; **Avis Edward Tobin, Jr.**, Thomasville, both of N.C.

[73] Assignee: **Thomasville Furniture Industries, Inc.**, Thomasville, N.C.

[\*\*] Term: **14 Years**

[21] Appl. No.: **54,714**

[22] Filed: **May 20, 1996**

D. 83,356	2/1931	Smart .....	D6/437
D. 221,172	7/1971	Ferguson, Jr. ....	D6/438
D. 229,936	1/1974	Schmitt .....	D6/494 X
D. 231,175	4/1974	Levine .....	D6/446
3,340,661	9/1967	Krieger .....	D25/53

### OTHER PUBLICATIONS

Bassett Furniture, *Legend* Catalog, believed to be prior art, pp. 3, 6, 8, 9, and 15.  
Spiegel, Fall/Winter 1992, p. 364, #G stool at bottom right.

*Primary Examiner*—Janice E. Seeger  
*Attorney, Agent, or Firm*—Rhodes, Coats & Bennett, L.L.P.

### Related U.S. Application Data

[62] Division of Ser. No. 29,997, Oct. 20, 1994.

[51] LOC (6) Cl. .... **06-06**

[52] U.S. Cl. .... **D6/492**

[58] Field of Search ..... D6/480-489, 495, D6/497, 498, 499, 450, 429, 434, 436, 438, 445, 447; 108/153, 156, 161; 248/188; D25/53, 100, 101

[57] **CLAIM**

The ornamental design for an open lattice panel, as shown and described.

### DESCRIPTION

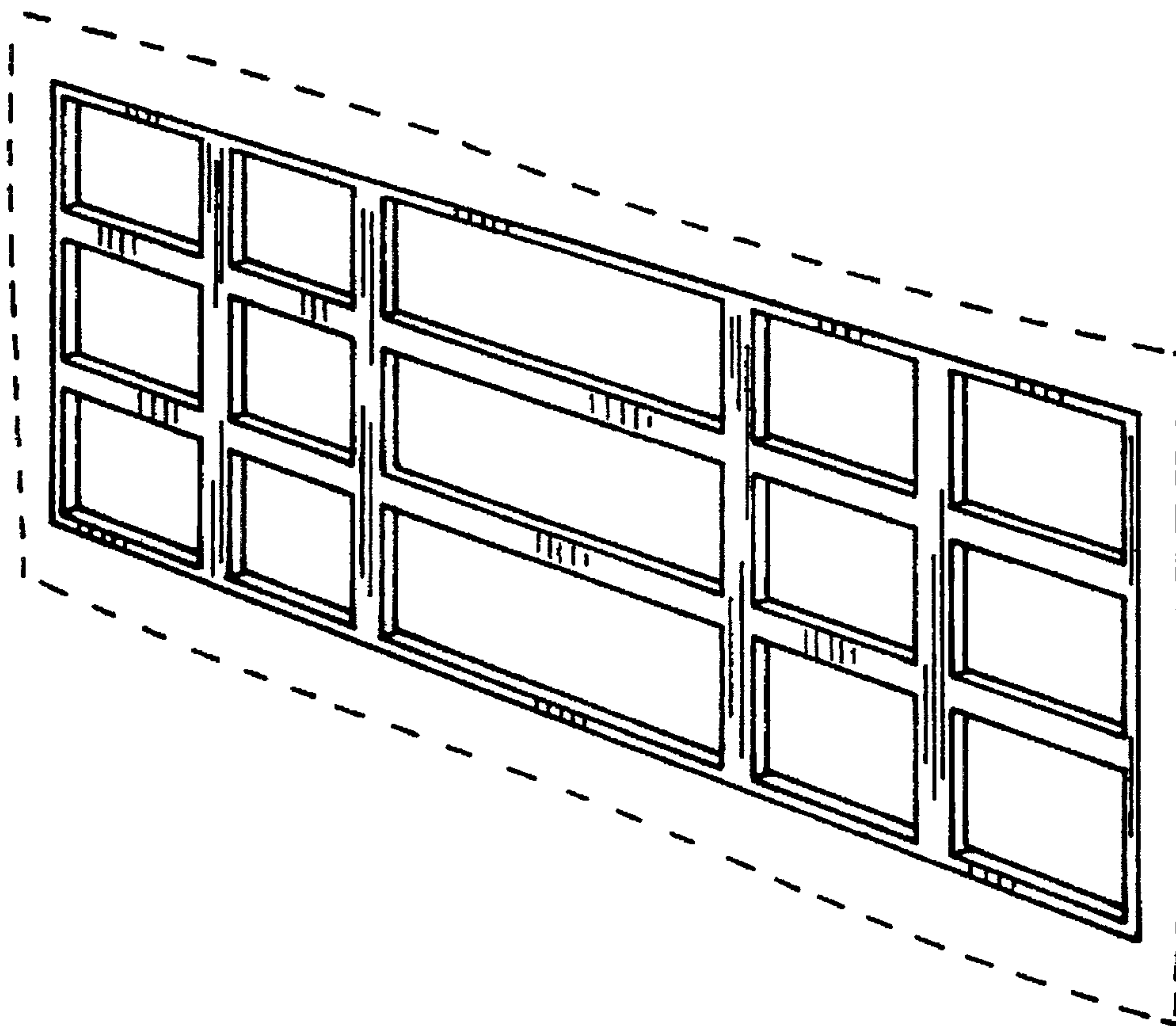
FIG. 1 is a front elevational view of an open lattice panel, showing our new design; and, FIG. 2 is a fragmentary perspective view, with portions of the environment omitted for clarity of illustration. The broken lines are for environmental purposes only and form no part of the claimed design. Our new design comprises, essentially, and open panel lattice-work for furniture.

[56] **References Cited**

#### U.S. PATENT DOCUMENTS

D. 61,889 2/1923 Chase ..... D6/438

**1 Claim, 1 Drawing Sheet**



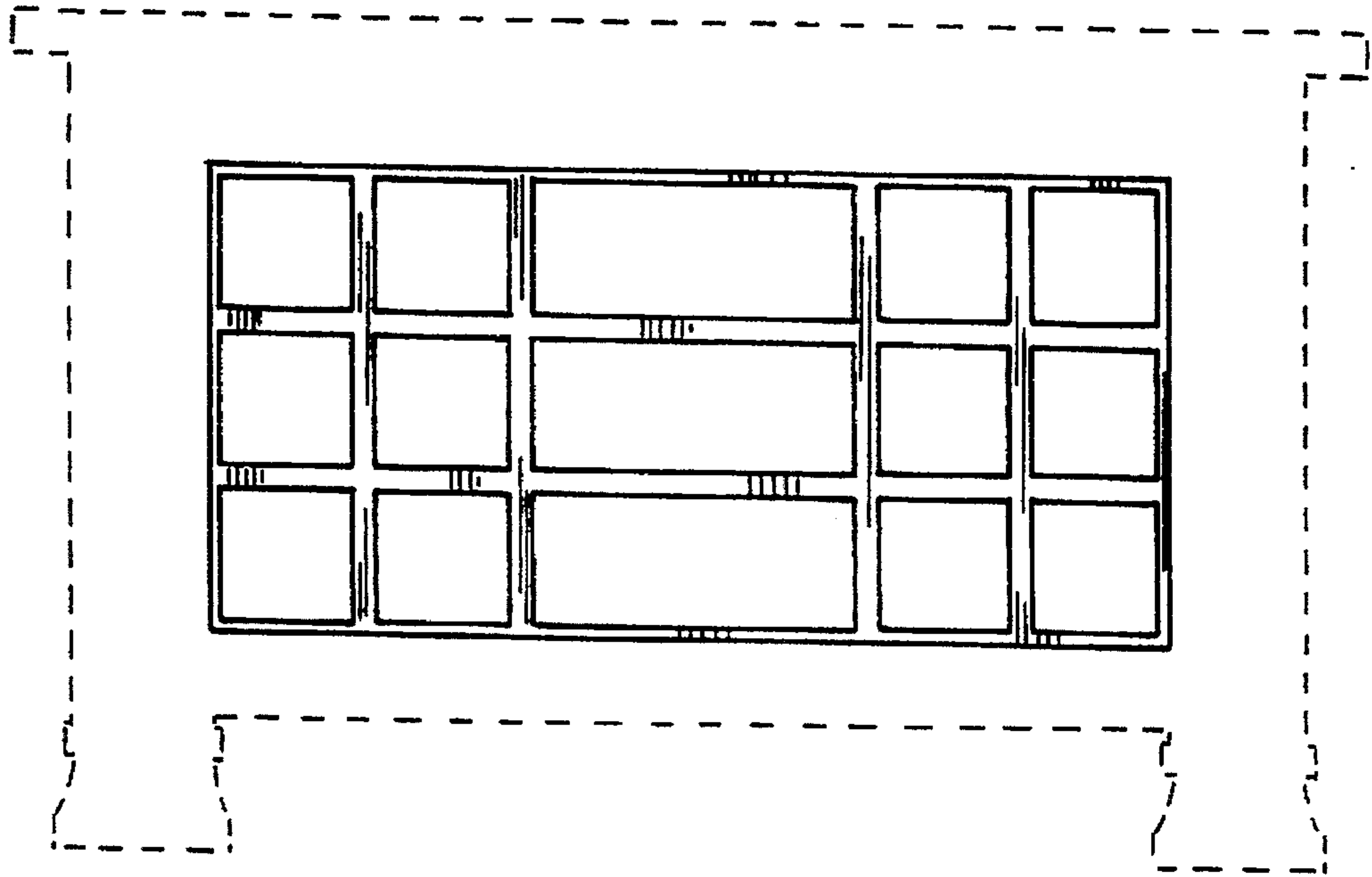


FIG. 1

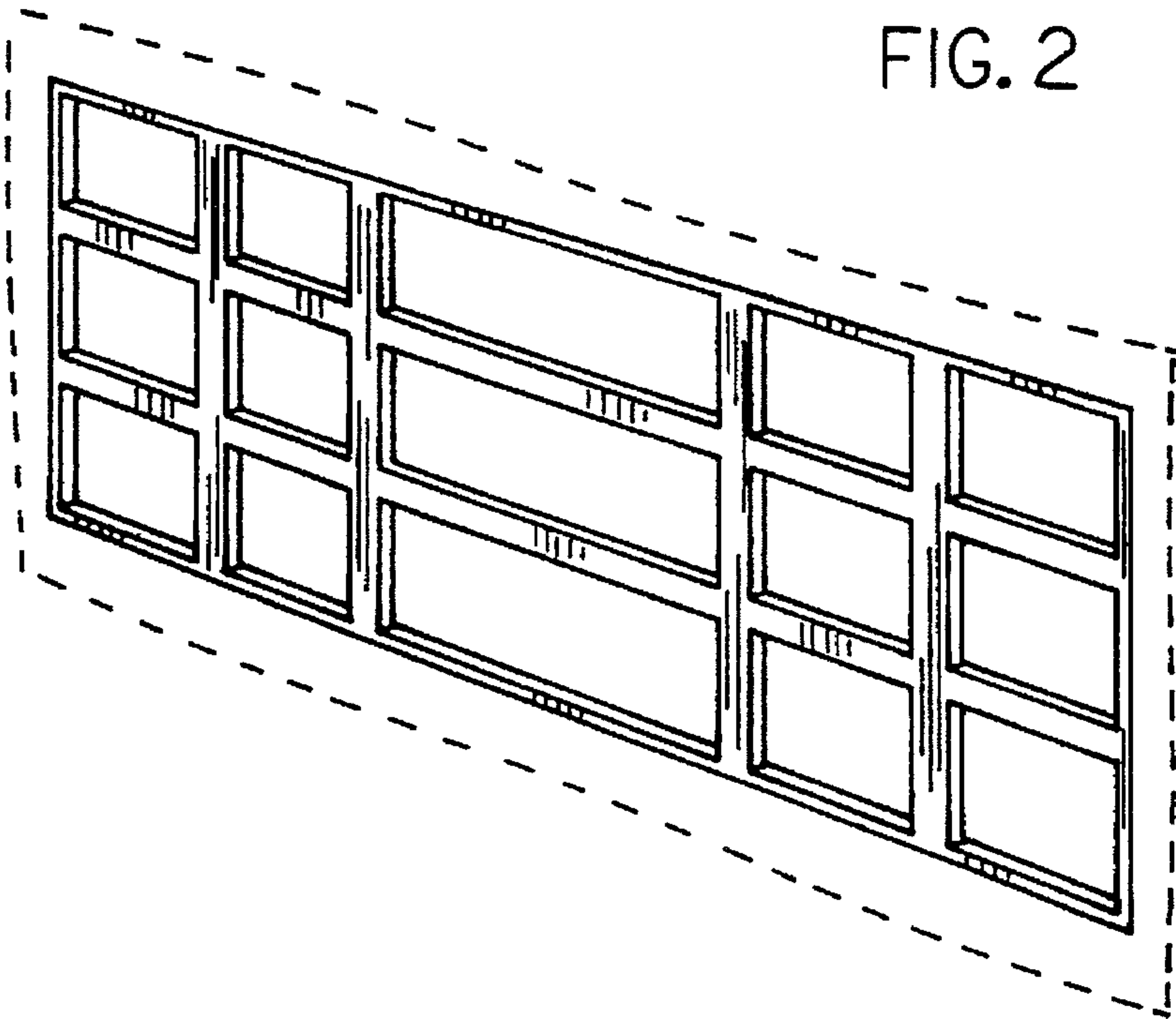


FIG. 2