



US00D380321S

United States Patent [19]
Grazioli

[11] **Patent Number: Des. 380,321**

[45] **Date of Patent: **Jul. 1, 1997**

[54] **TABLE**

[75] Inventor: **Vittorio Grazioli**, Asola, Italy

[73] Assignee: **Grazioli S.p.A.**, Mosio Di Acquanegra, Italy

[**] Term: **14 Years**

[21] Appl. No.: **49,671**

[22] Filed: **Jan. 29, 1996**

[30] **Foreign Application Priority Data**

Jul. 28, 1995 [IT] Italy MI9500430

[51] **LOC (6) Cl.** **06-03**

[52] **U.S. Cl.** **D6/480; D6/429**

[58] **Field of Search** D6/480-489, 495, D6/499, 429, 430, 423; 108/64, 83, 90, 185, 153, 156, 157; 248/188, 188.1

[56] **References Cited**

U.S. PATENT DOCUMENTS

- D. 48,986 5/1916 Pfefferkorn et al. D6/480 X
- D. 350,446 9/1994 Sauvage D6/487
- D. 361,676 8/1995 Westerborgen D6/480
- 1,357,050 10/1920 Hathome 108/185

FOREIGN PATENT DOCUMENTS

173555 11/1916 Canada 108/83

Primary Examiner—Janice E. Seeger
Attorney, Agent, or Firm—Herbert Dubno

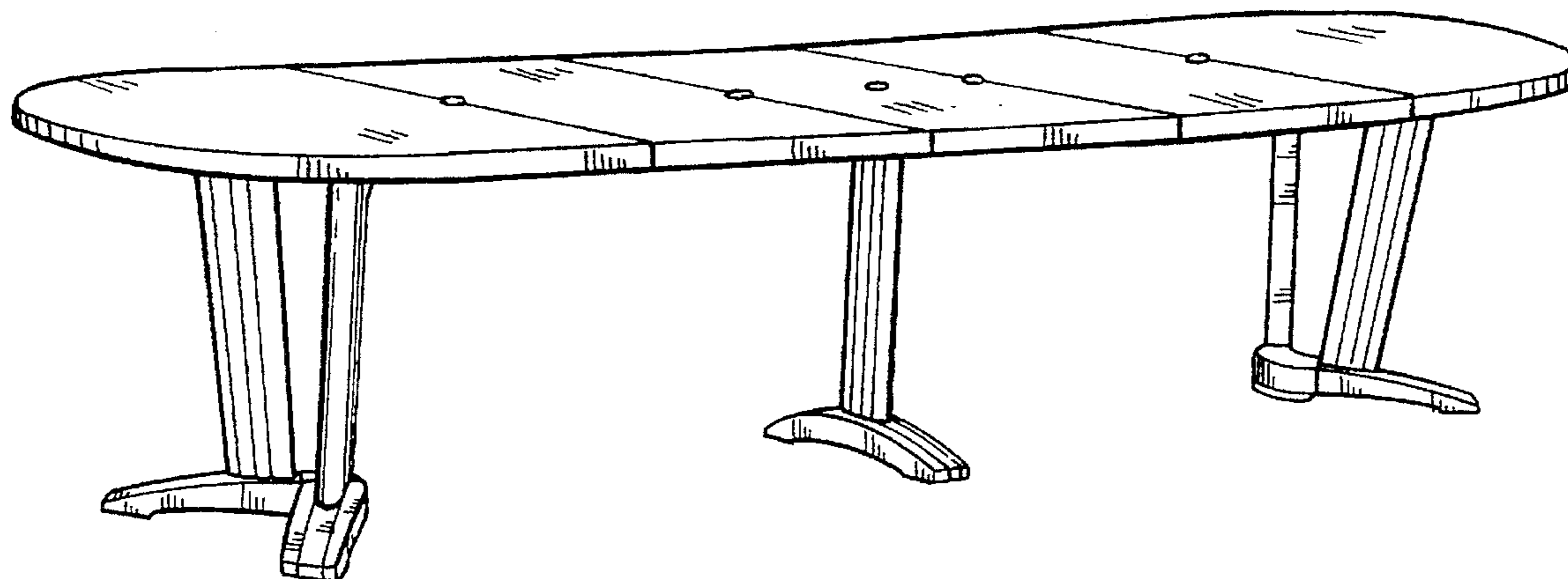
[57] **CLAIM**

The ornamental design for a table, as shown and described.

DESCRIPTION

FIG. 1 is a front, top, left side perspective view of a table showing my new design;
 FIG. 2 is a front elevational view thereof;
 FIG. 3 is a rear elevational view thereof;
 FIG. 4 is a left side elevational view thereof;
 FIG. 5 is a right side elevational view thereof;
 FIG. 6 is a top view thereof;
 FIG. 7 is a bottom view thereof;
 FIG. 8 is a top, front, left side perspective view, showing the leg for convenience of illustration;
 FIG. 9 is a rear view thereof;
 FIG. 10 is a bottom view thereof;
 FIG. 11 is a top view thereof;
 FIG. 12 is a front view thereof; and,
 FIG. 13 is a right side elevational view thereof, the left side elevational view being mirror-symmetrical thereto.

1 Claim, 7 Drawing Sheets



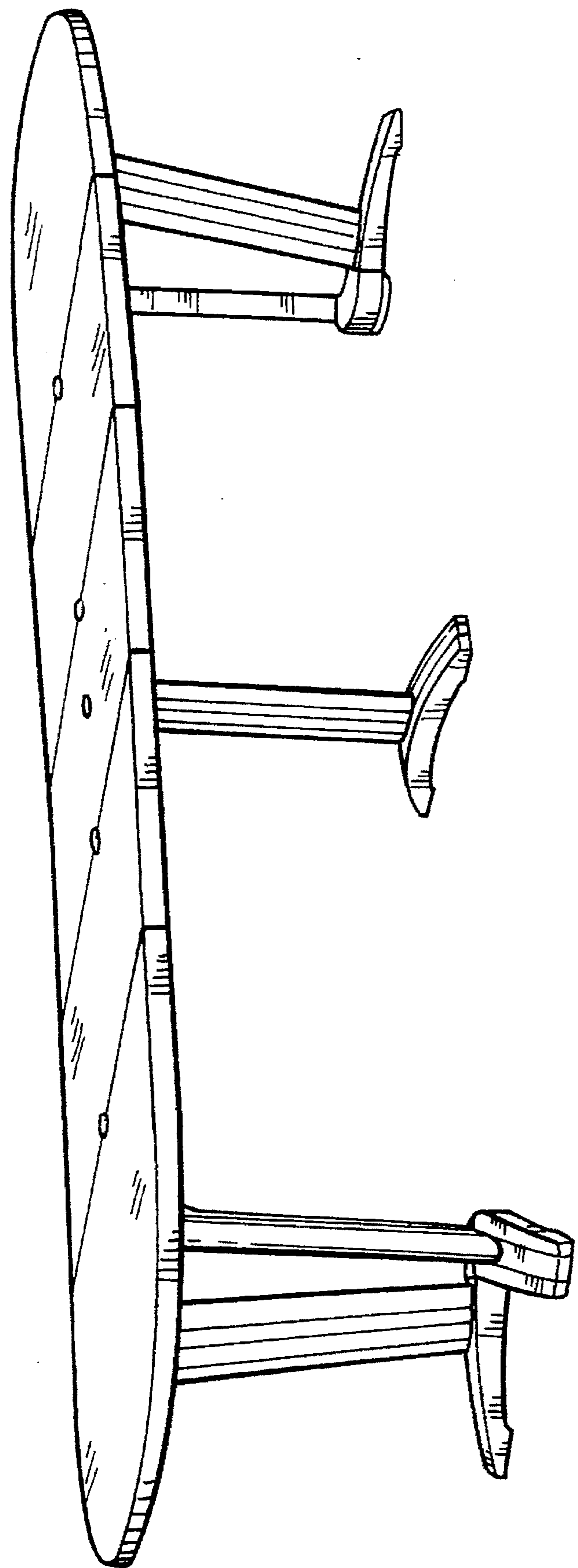


FIG. 1

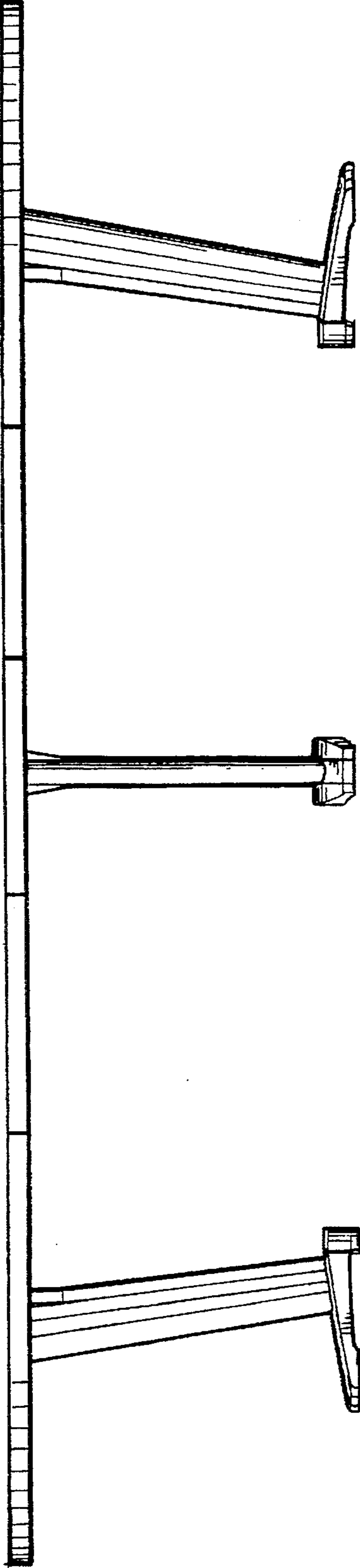


FIG. 2

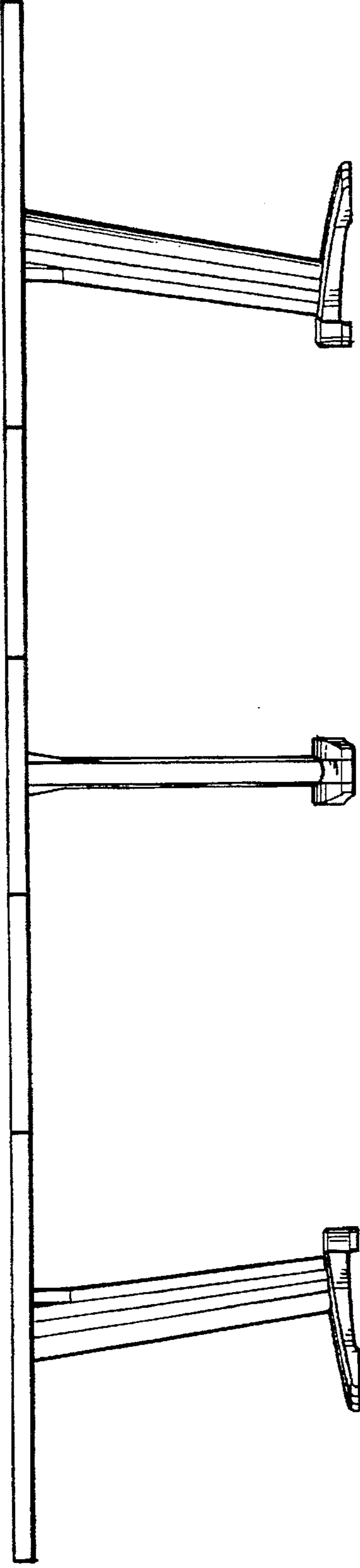


FIG. 3

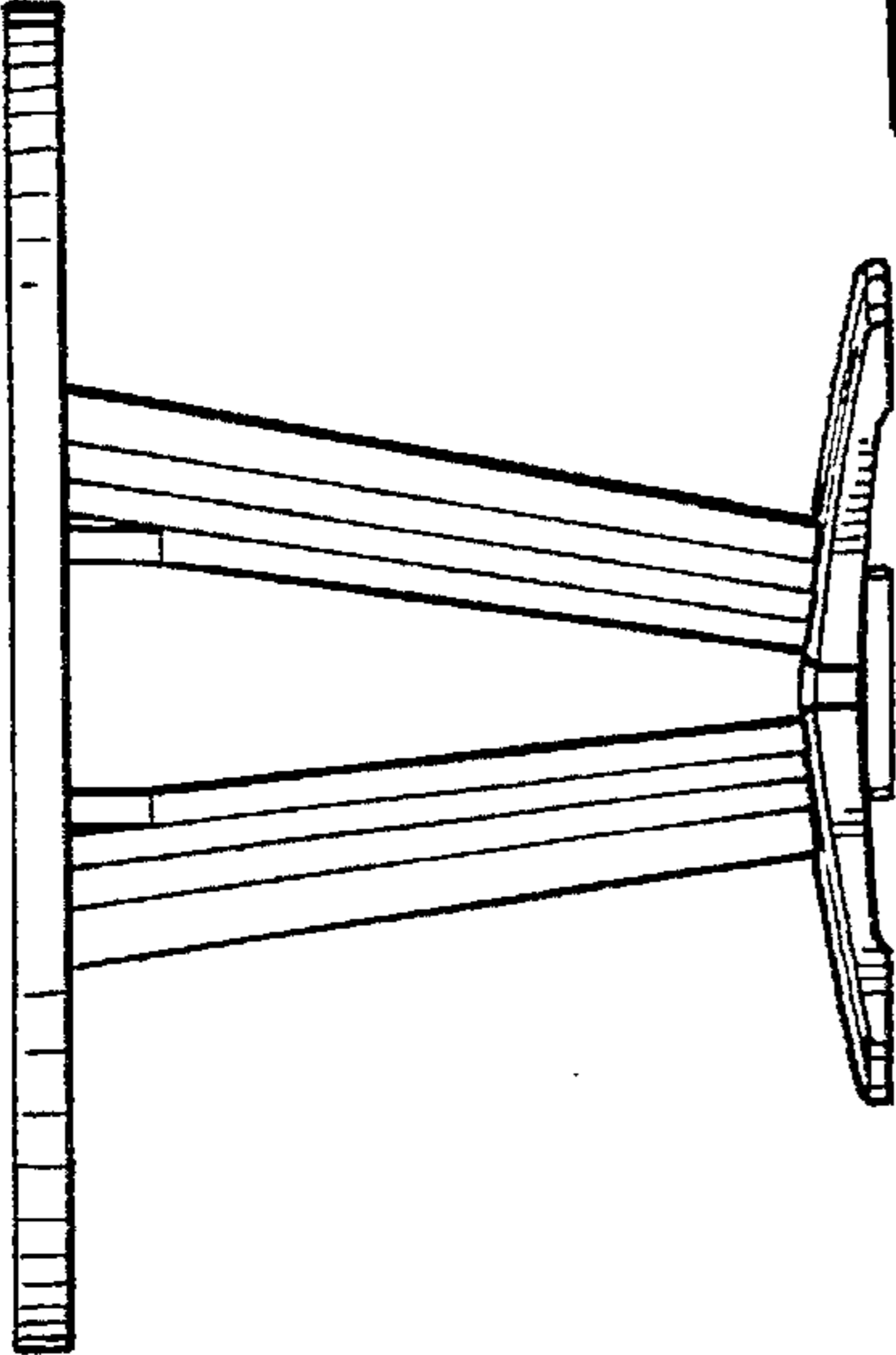


FIG. 5

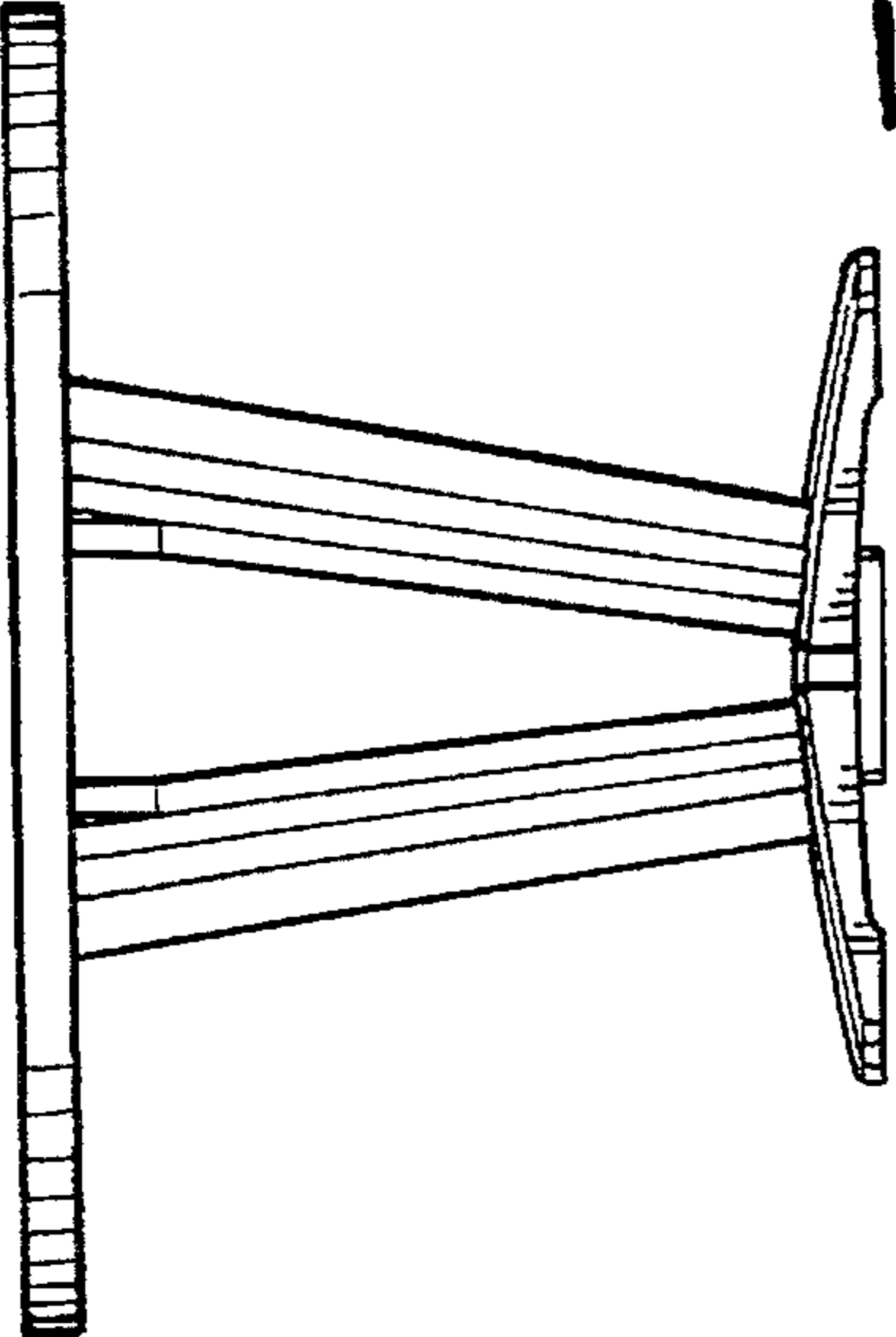


FIG. 4

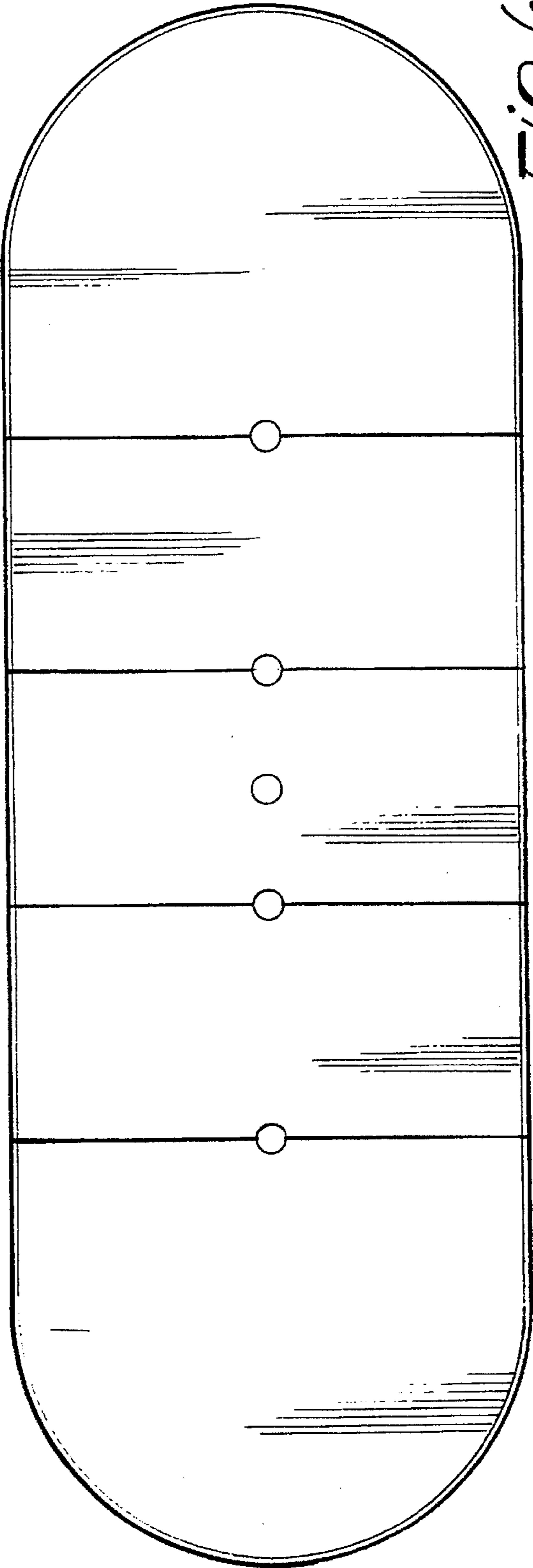


FIG. 6

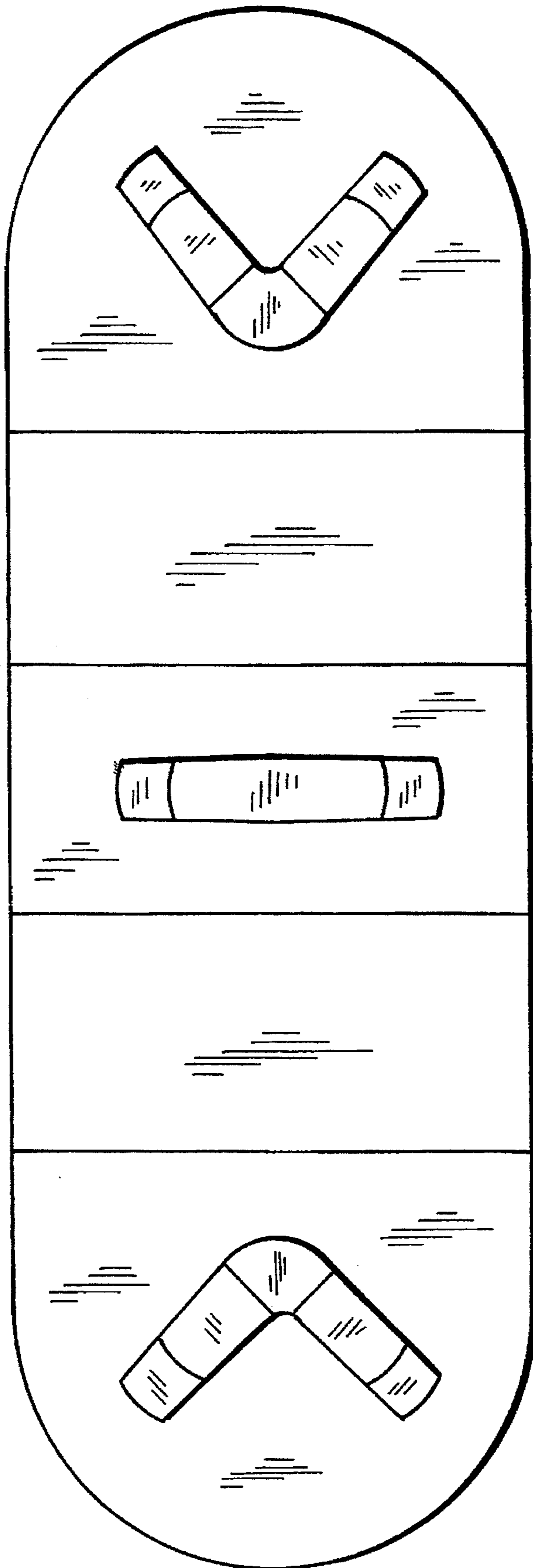


FIG. 7

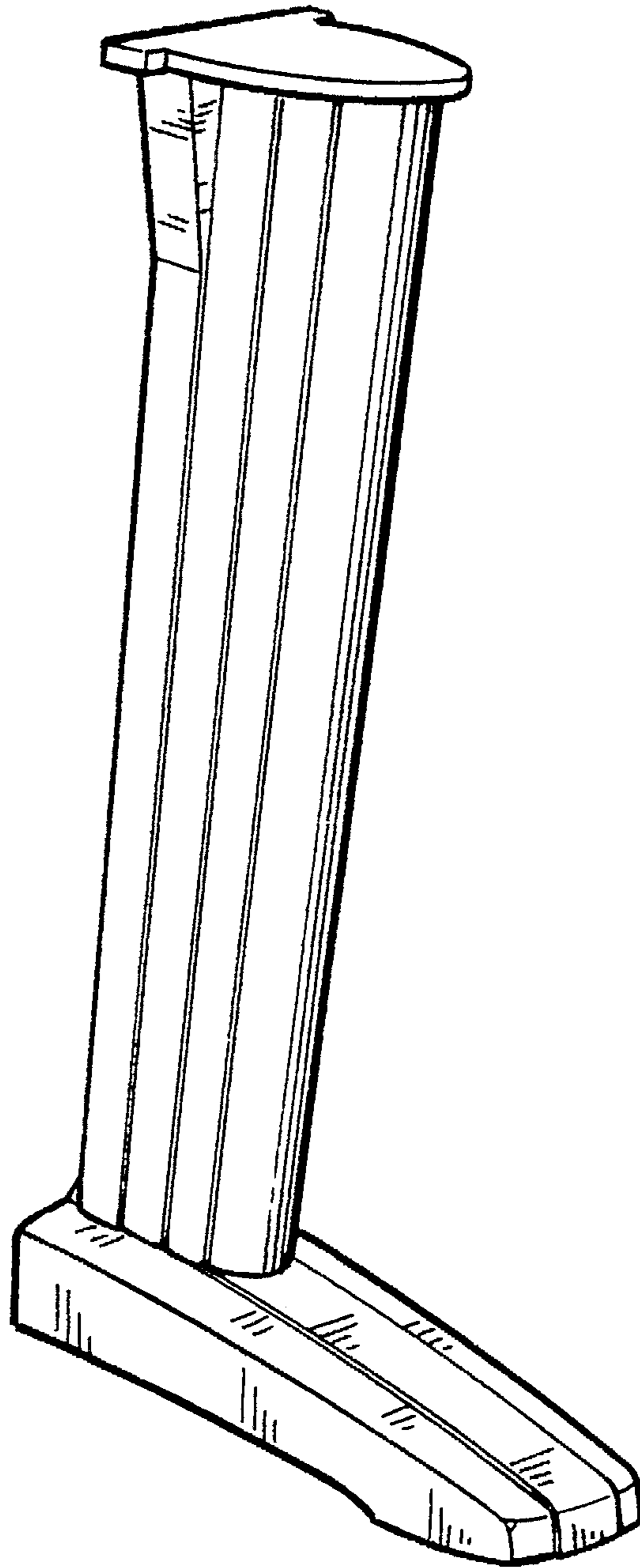


Fig. 8

FIG. 10

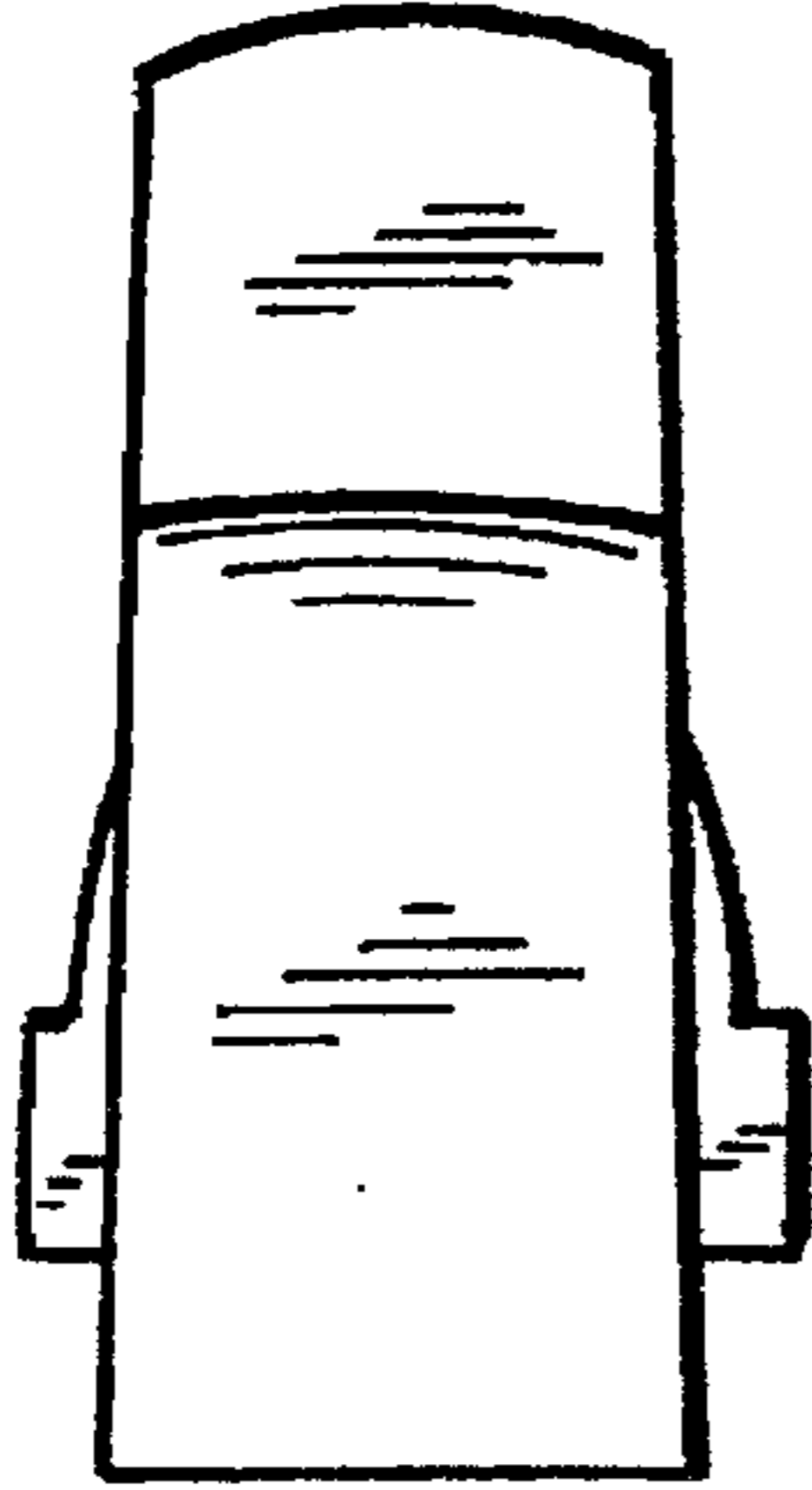


FIG. 11

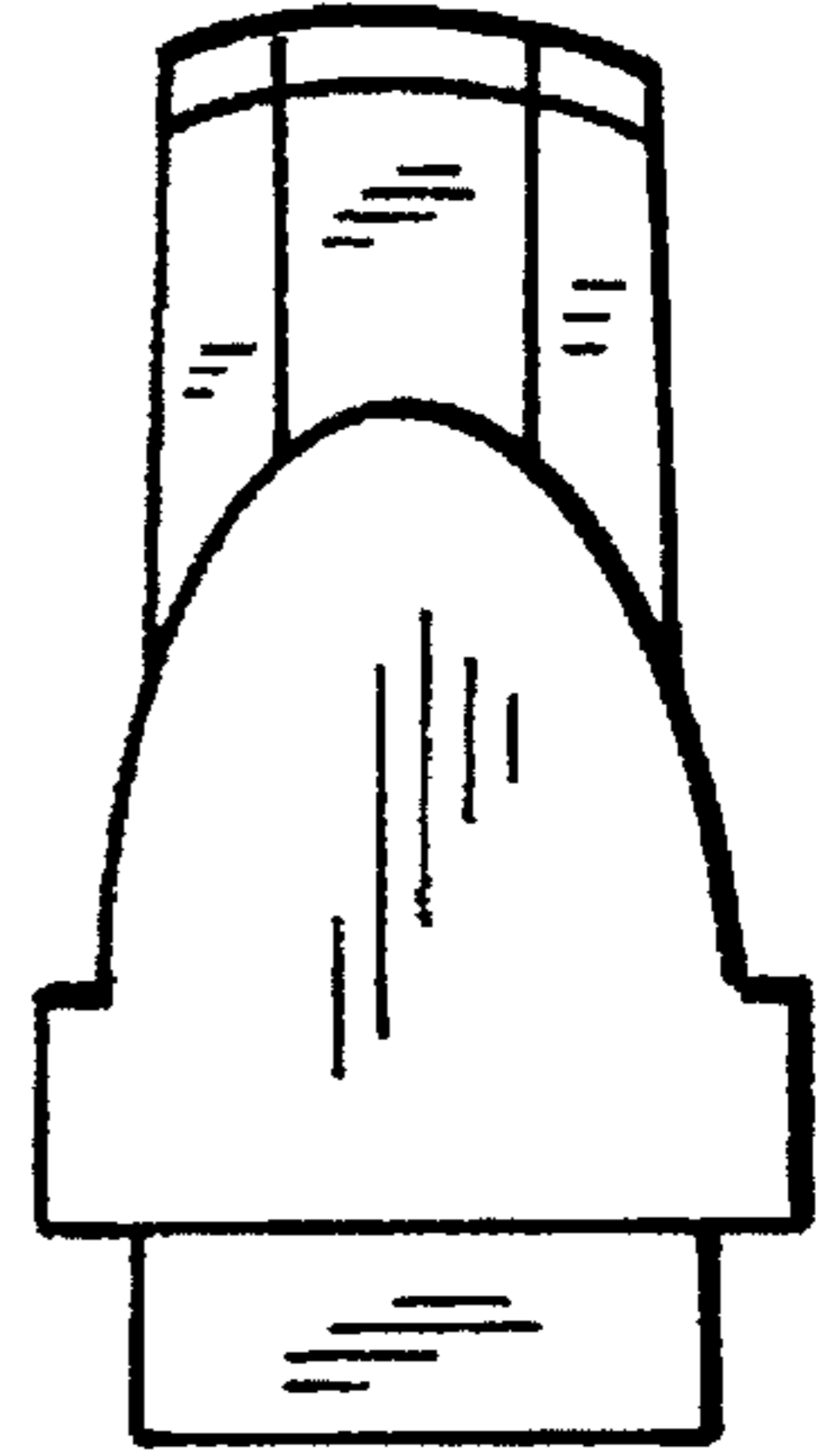


FIG. 9

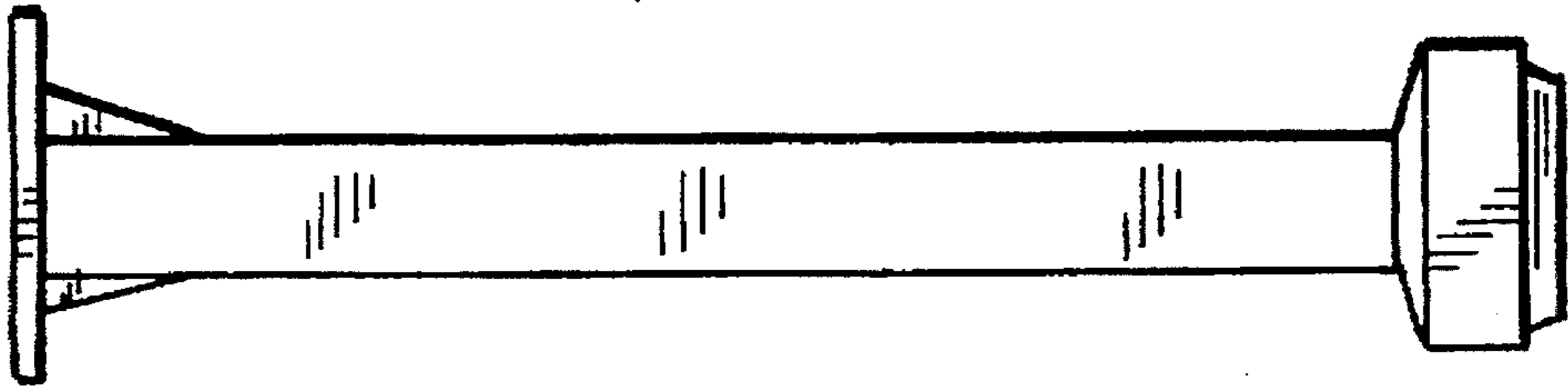


Fig. 13

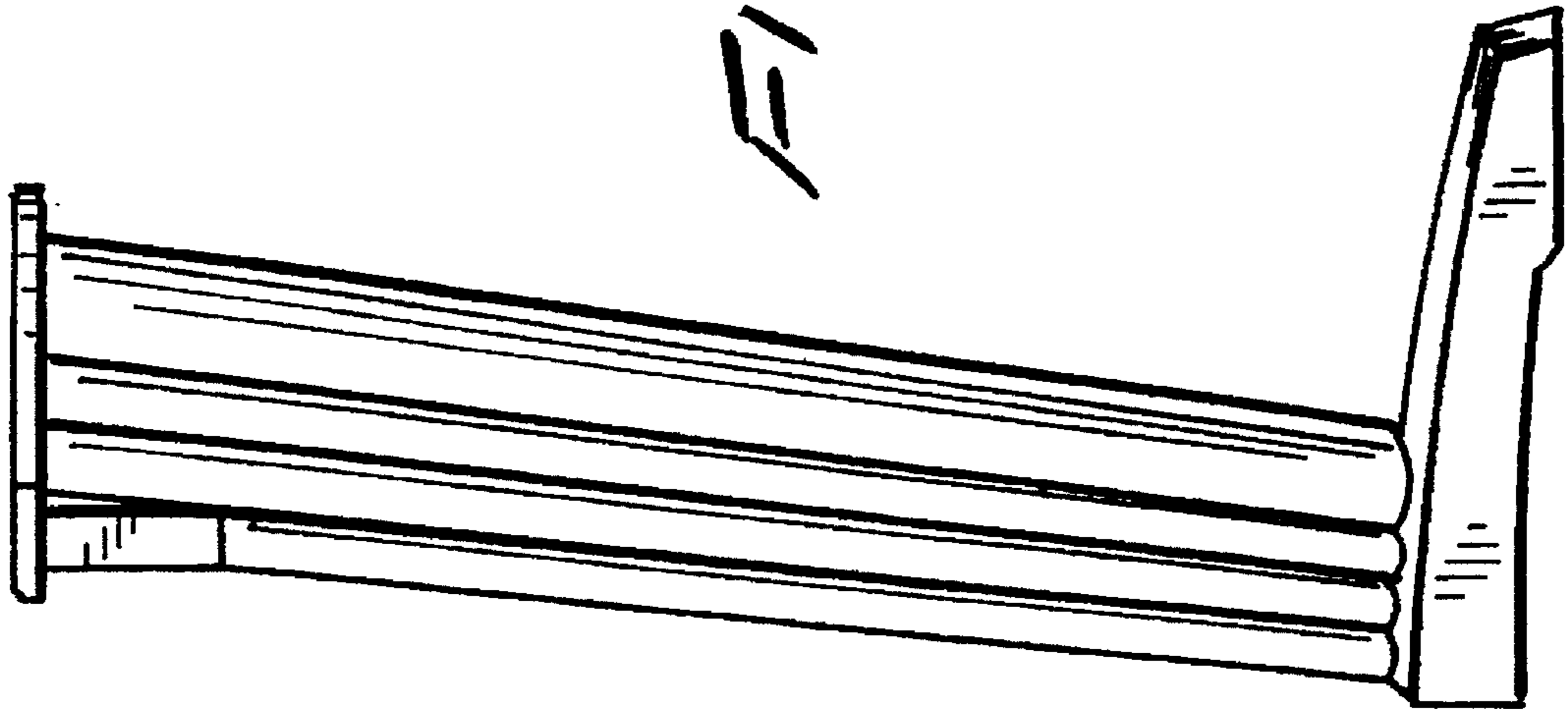


Fig. 12

