



US00D380319S

# United States Patent [19]

Sica et al.

[11] Patent Number: **Des. 380,319**

[45] Date of Patent: **\*\*Jul. 1, 1997**

[54] **DISPLAY PEDESTAL**

[75] Inventors: **Aurelio Sica; Nancy Sica**, both of Miami, Fla.

[73] Assignee: **Aurafin Corporation**, Sunrise, Fla.

[\*\*] Term: **14 Years**

[21] Appl. No.: **50,753**

[22] Filed: **Feb. 26, 1996**

[51] LOC (6) Cl. .... **06-04**

[52] U.S. Cl. .... **D6/474; D6/466**

[58] **Field of Search** ..... D6/449, 455, 461, D6/460, 474, 466, 459, 495, 509-511, 471, 467, 469; D7/610; 248/520, 146, 174, 346.01; 206/775, 779, 780; D11/130.1, 131; D19/96, 97; 211/113

[56] **References Cited**

**U.S. PATENT DOCUMENTS**

- D. 45,718 5/1914 Karpeles ..... D6/471
- D. 108,418 2/1938 Bloomfield ..... D6/474
- D. 114,776 5/1939 Weidner ..... D6/460
- D. 229,458 12/1973 Schnieder ..... D6/471 X
- D. 230,230 2/1974 Crowe ..... D6/469 X
- D. 270,799 10/1983 Creske ..... D6/511

- D. 288,154 2/1987 Hobgood ..... D11/131 X
- D. 327,188 6/1992 Allen ..... D6/474
- D. 361,678 8/1995 Tavone et al. .... D6/460 X
- 1,735,009 11/1929 Moore ..... 248/174 X
- 4,341,300 7/1982 Roy ..... 248/520

**OTHER PUBLICATIONS**

Adler Jones Co. Catalog, p. 6, No. AX2368 at bottom right.

*Primary Examiner*—Jeffrey Asch  
*Attorney, Agent, or Firm*—Malin, Haley, DiMaggio & Crosby, P.A.

[57] **CLAIM**

The ornamental design for a display pedestal, as shown and described.

**DESCRIPTION**

FIG. 1 is a perspective view of a display pedestal showing our new design;  
 FIG. 2 is a front elevational view thereof;  
 FIG. 3 is a rear elevational view thereof;  
 FIG. 4 is a right side elevational view thereof;  
 FIG. 5 is a left side elevational view;  
 FIG. 6 is a top plan view thereof; and,  
 FIG. 7 is a bottom plan view thereof.

**1 Claim, 2 Drawing Sheets**

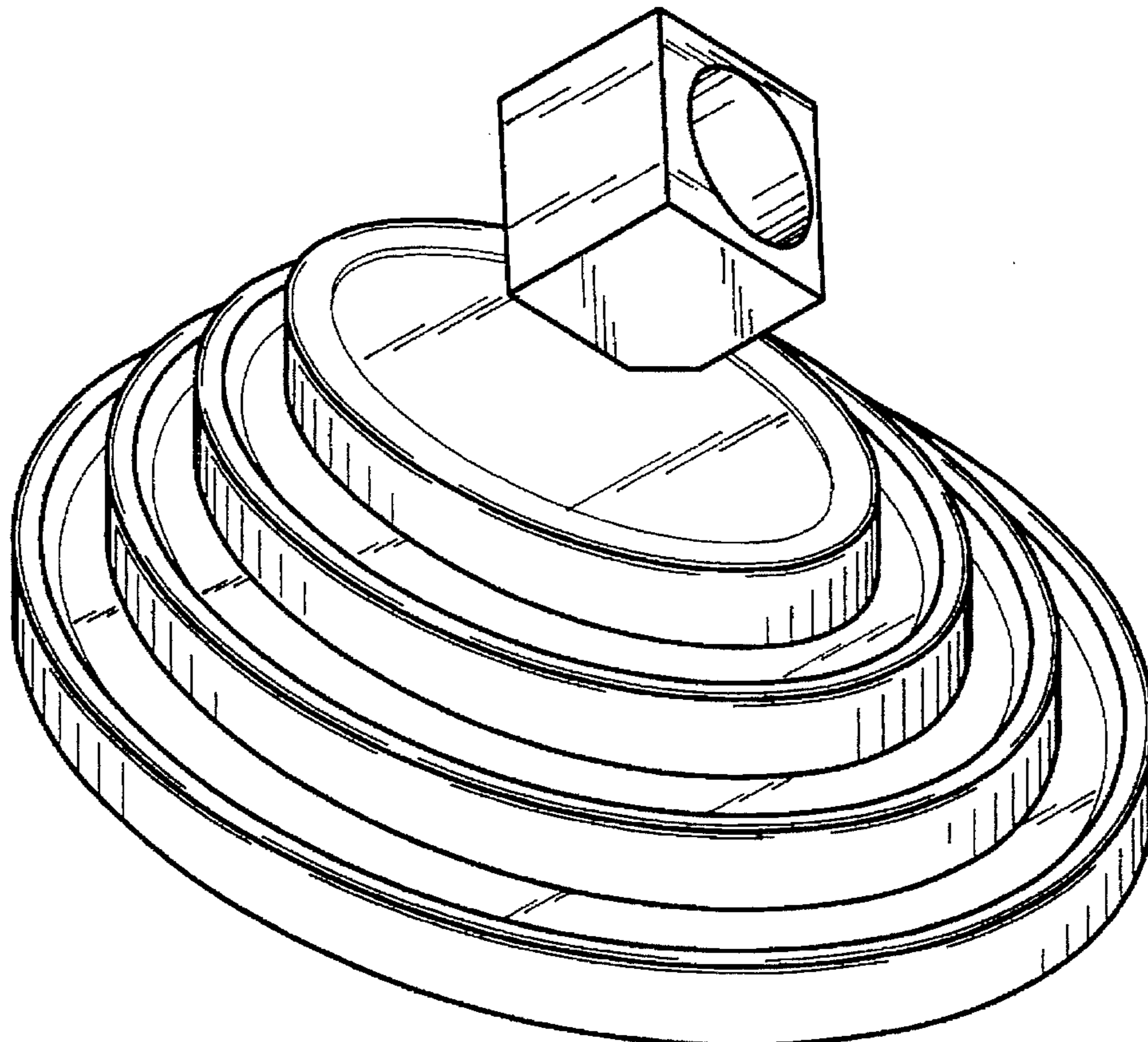


FIG. 6

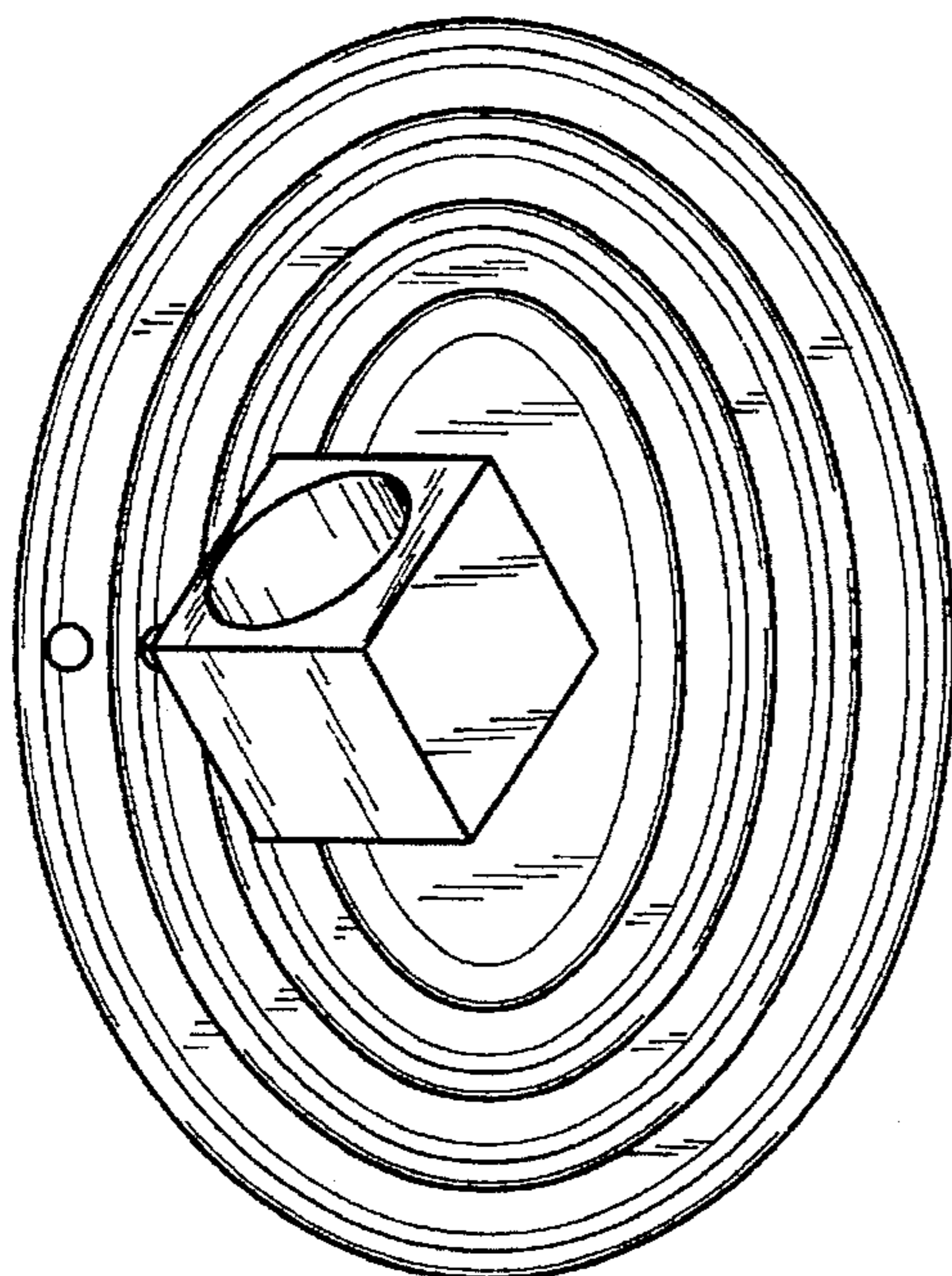


FIG. 7

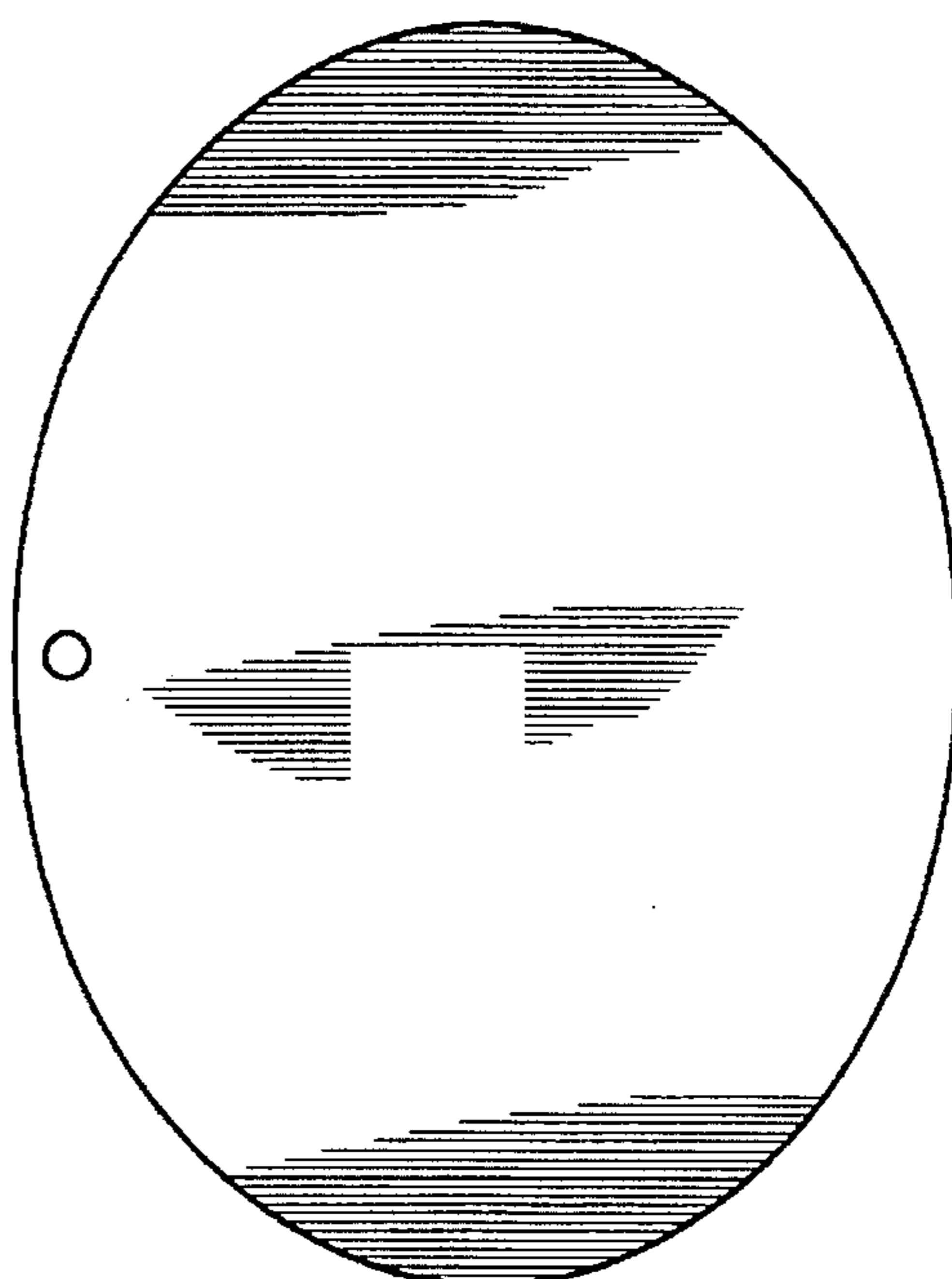


FIG. 1

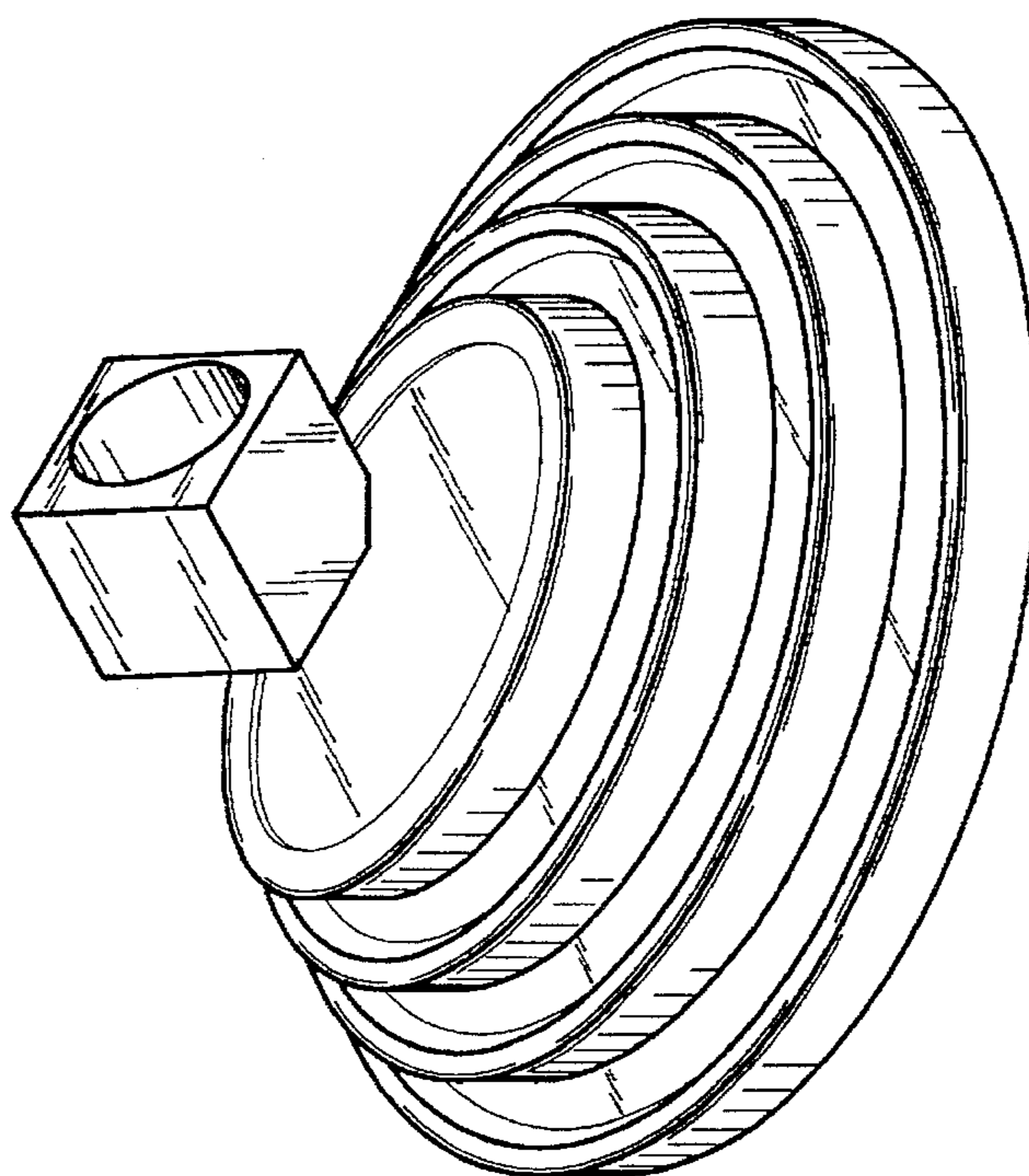


FIG. 2

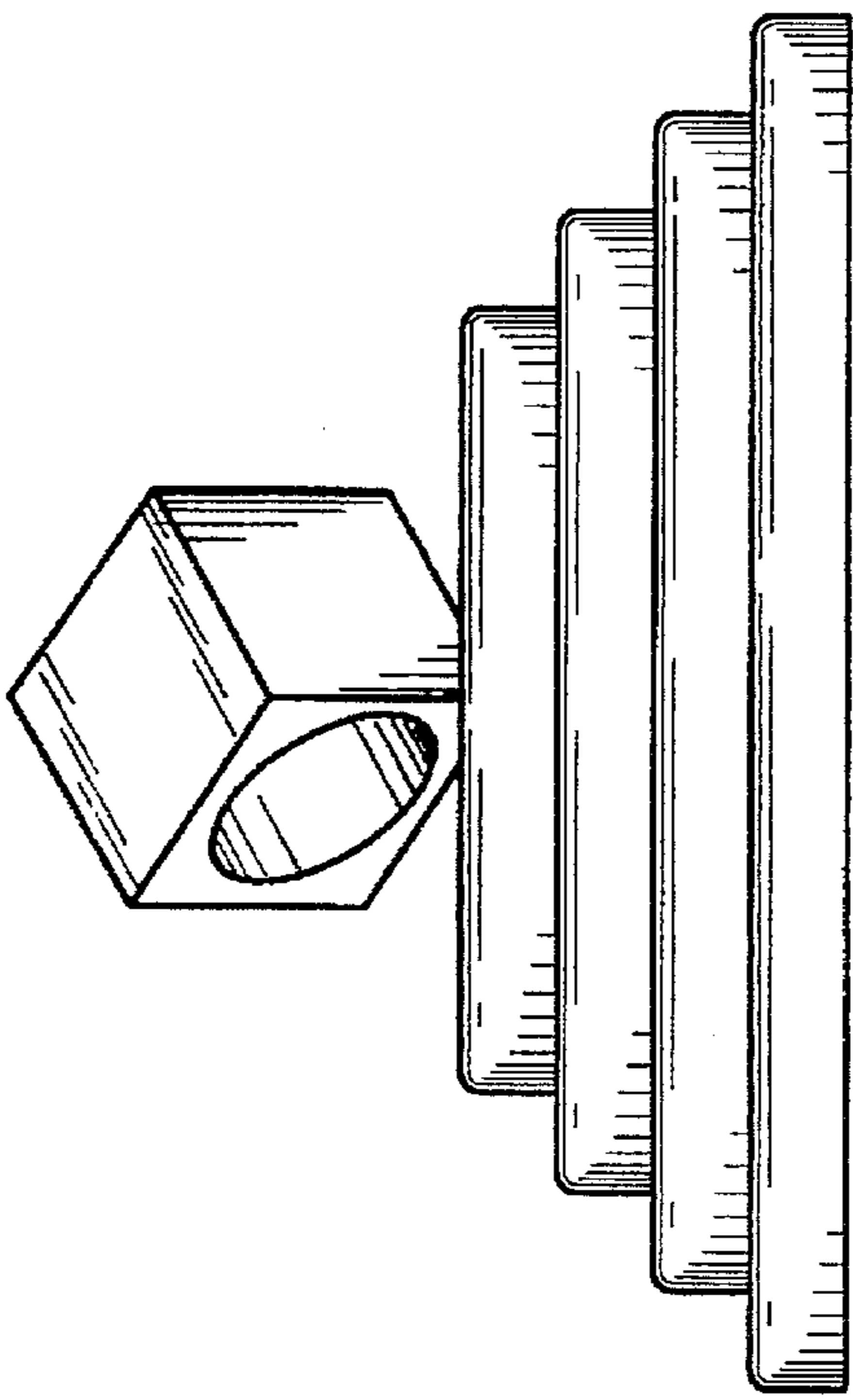


FIG. 3

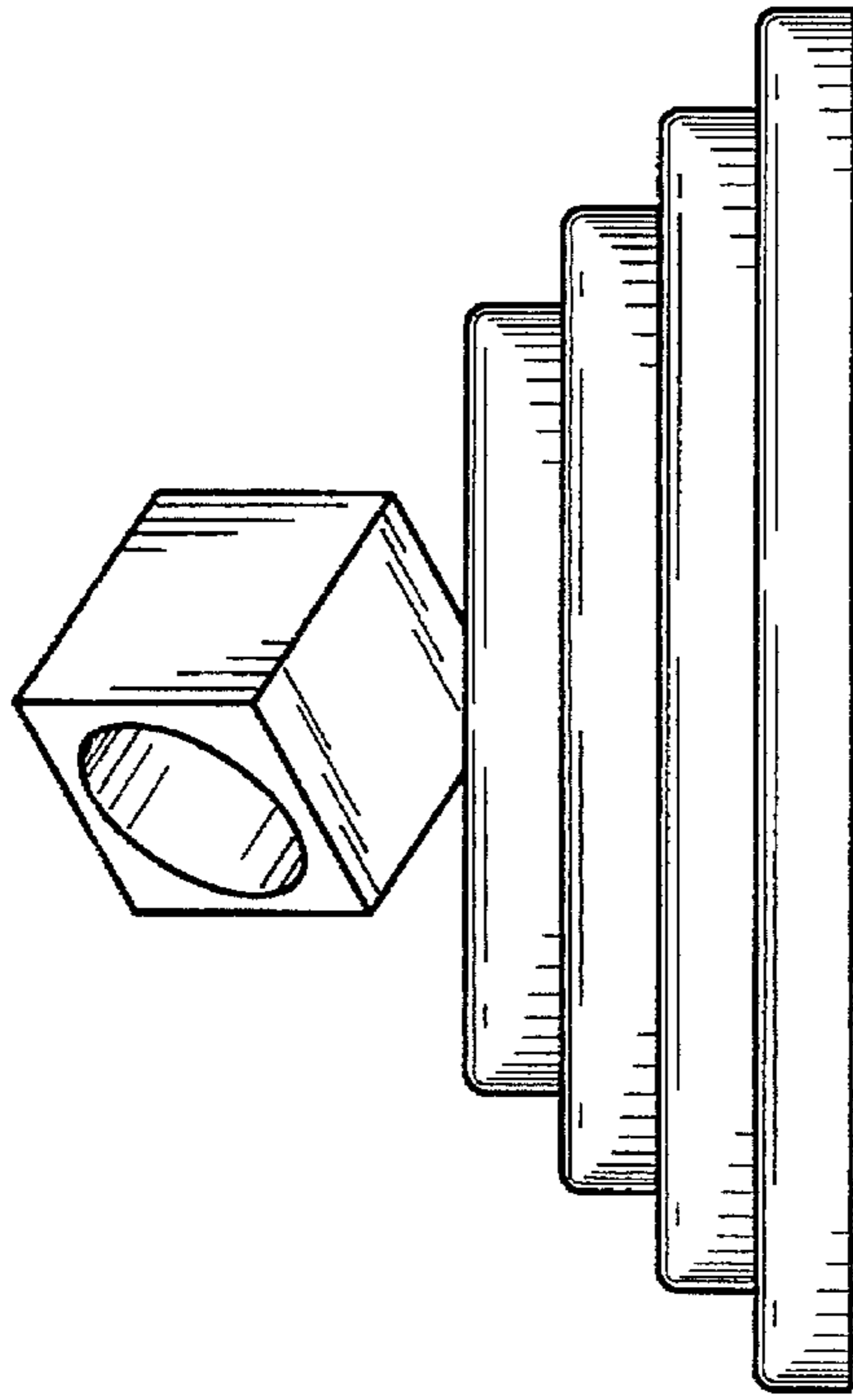


FIG. 4

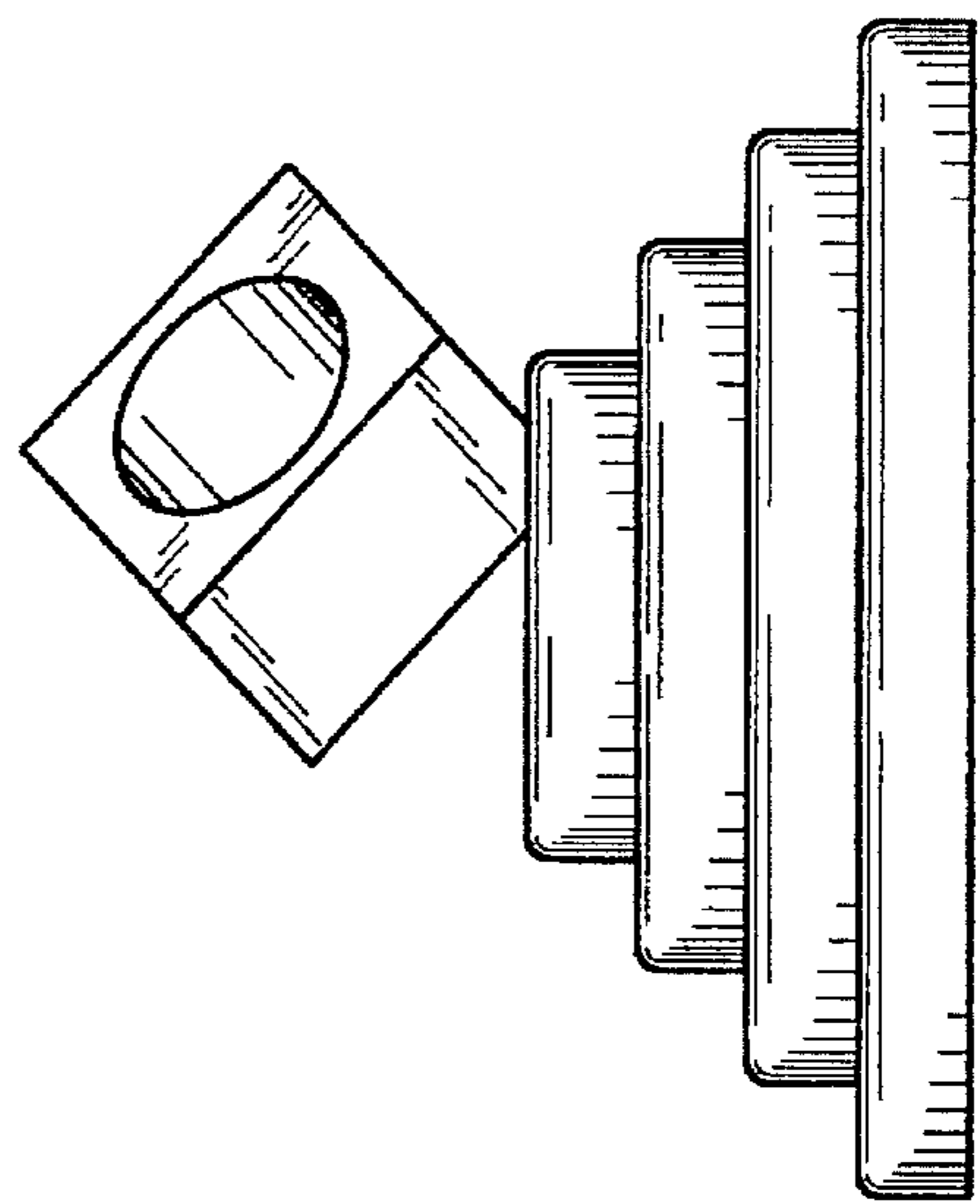


FIG. 5

