



US00D380314S

# United States Patent [19] Chandler

[11] Patent Number: **Des. 380,314**

[45] Date of Patent: **\*\*Jul. 1, 1997**

[54] **CHAIR**

[75] Inventor: **David Paul Chandler**, Jamestown, N.C.

[73] Assignee: **Henredon Furniture Industries, Inc.**, Morganton, N.C.

[\*\*] Term: **14 Years**

[21] Appl. No.: **50,822**

[22] Filed: **Feb. 27, 1996**

[51] LOC (6) Cl. .... **06-01**

[52] U.S. Cl. .... **D6/380; D6/374**

[58] Field of Search ..... **D6/334, 335, 336, D6/363, 374, 379, 380, 500, 501, 502; 297/446.1**

### [56] **References Cited**

#### **U.S. PATENT DOCUMENTS**

D. 83,346 2/1931 Pauli ..... D6/380  
D. 179,505 1/1957 Armbruster ..... D6/363

#### **OTHER PUBLICATIONS**

Chairs and Couches by Curtis, ©1977, p. 41, Chair in center page.

An Encyclopedia of Chairs by Simon Yates, ©1988, p. 25, Chair at top right.

*Primary Examiner*—Gary D. Watson

*Attorney, Agent, or Firm*—Edgar A. Zarins; Malcolm L. Sutherland

### [57] **CLAIM**

The ornamental design for a chair, as shown and described.

### **DESCRIPTION**

FIG. 1 is a perspective view of a chair showing my new design;

FIG. 2 is a front elevation view thereof;

FIG. 3 is a top plan view thereof;

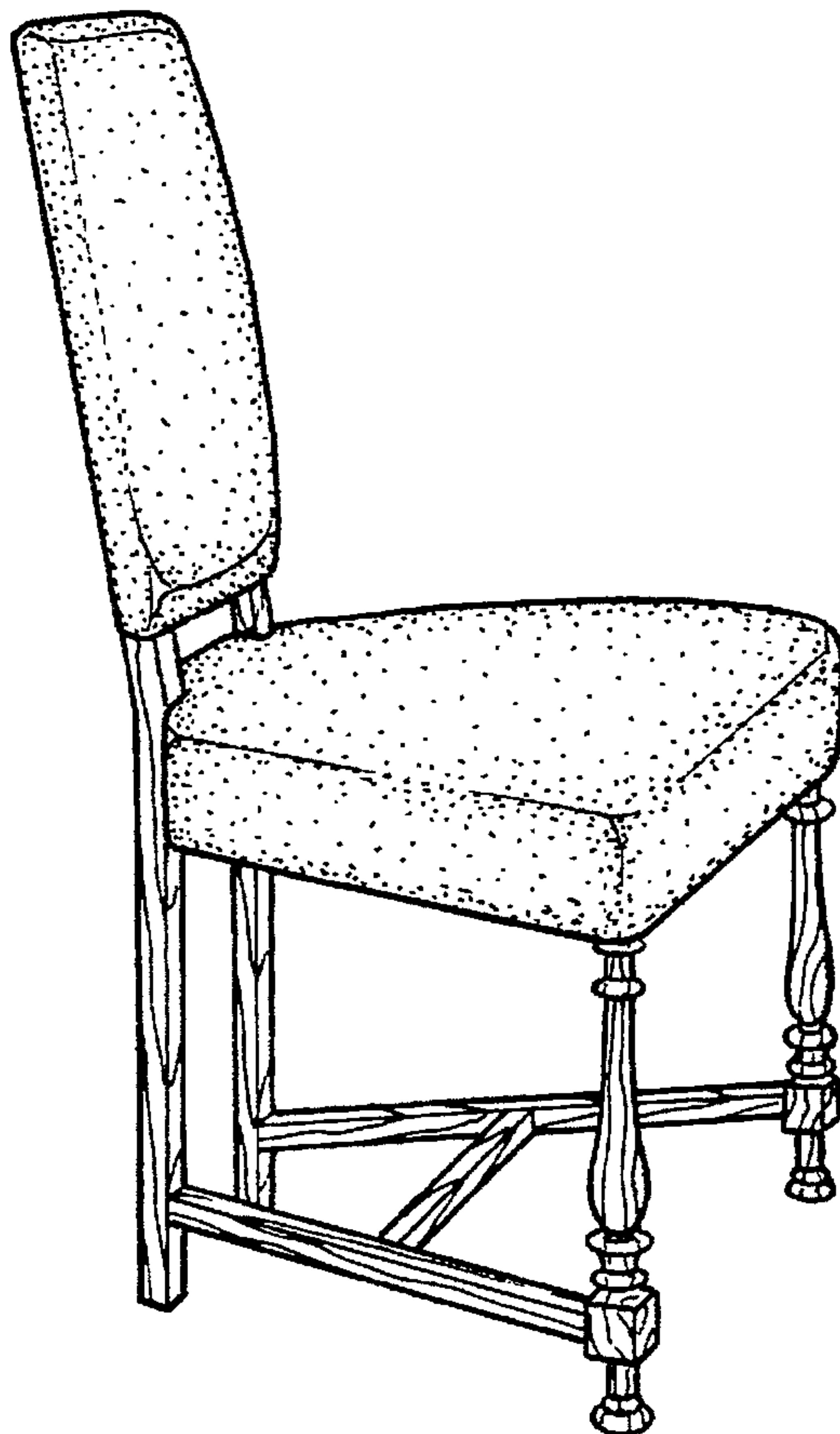
FIG. 4 is a left side view thereof, the opposite side being a mirror image of the side shown; and,

FIG. 5 is a bottom plan view thereof.

The rear of the chair is not part of the claimed design.

FIGS. 2 through 5 have been shown on a reduced scale with respect to FIG. 1.

**1 Claim, 2 Drawing Sheets**



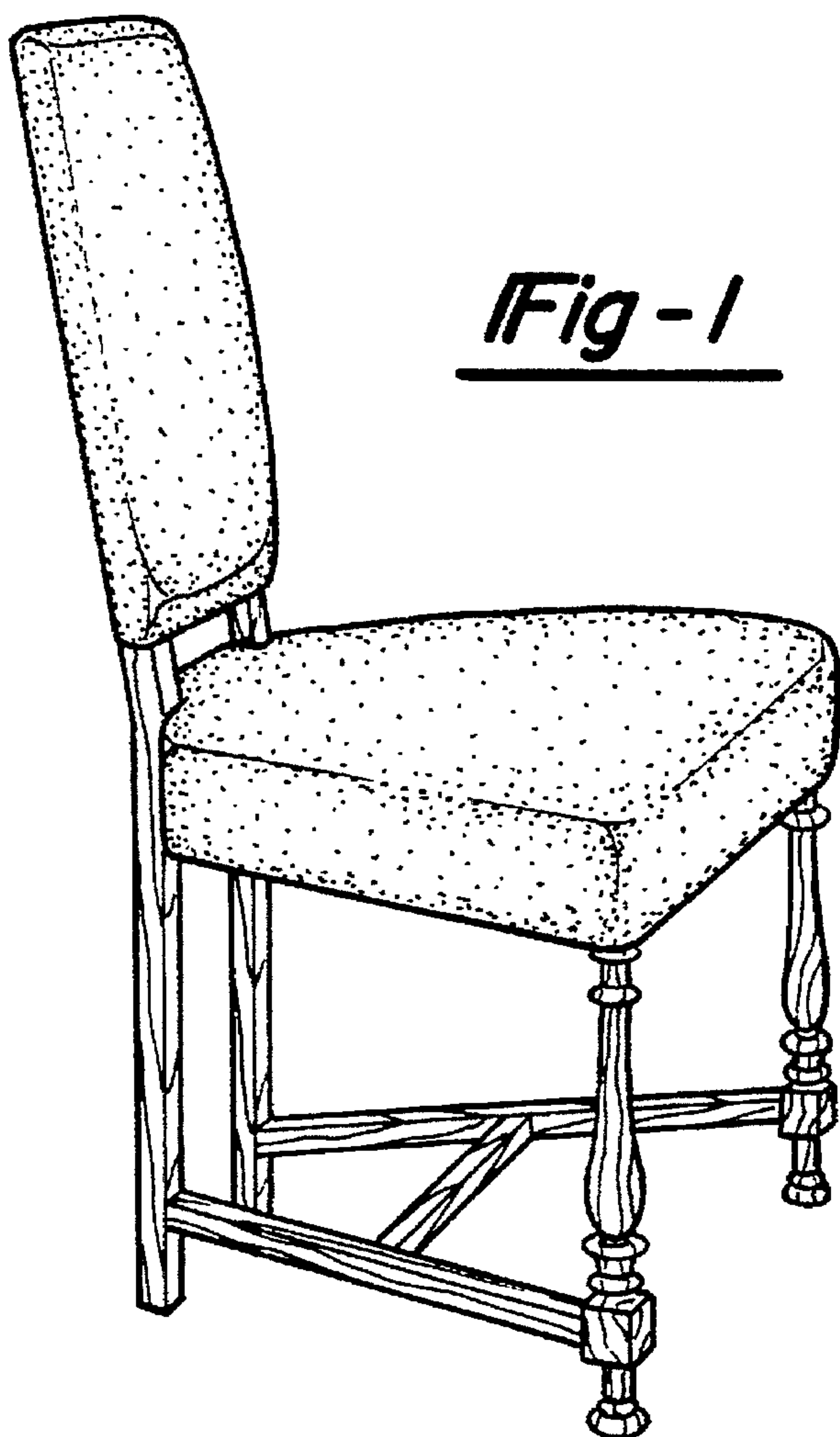


Fig - 1

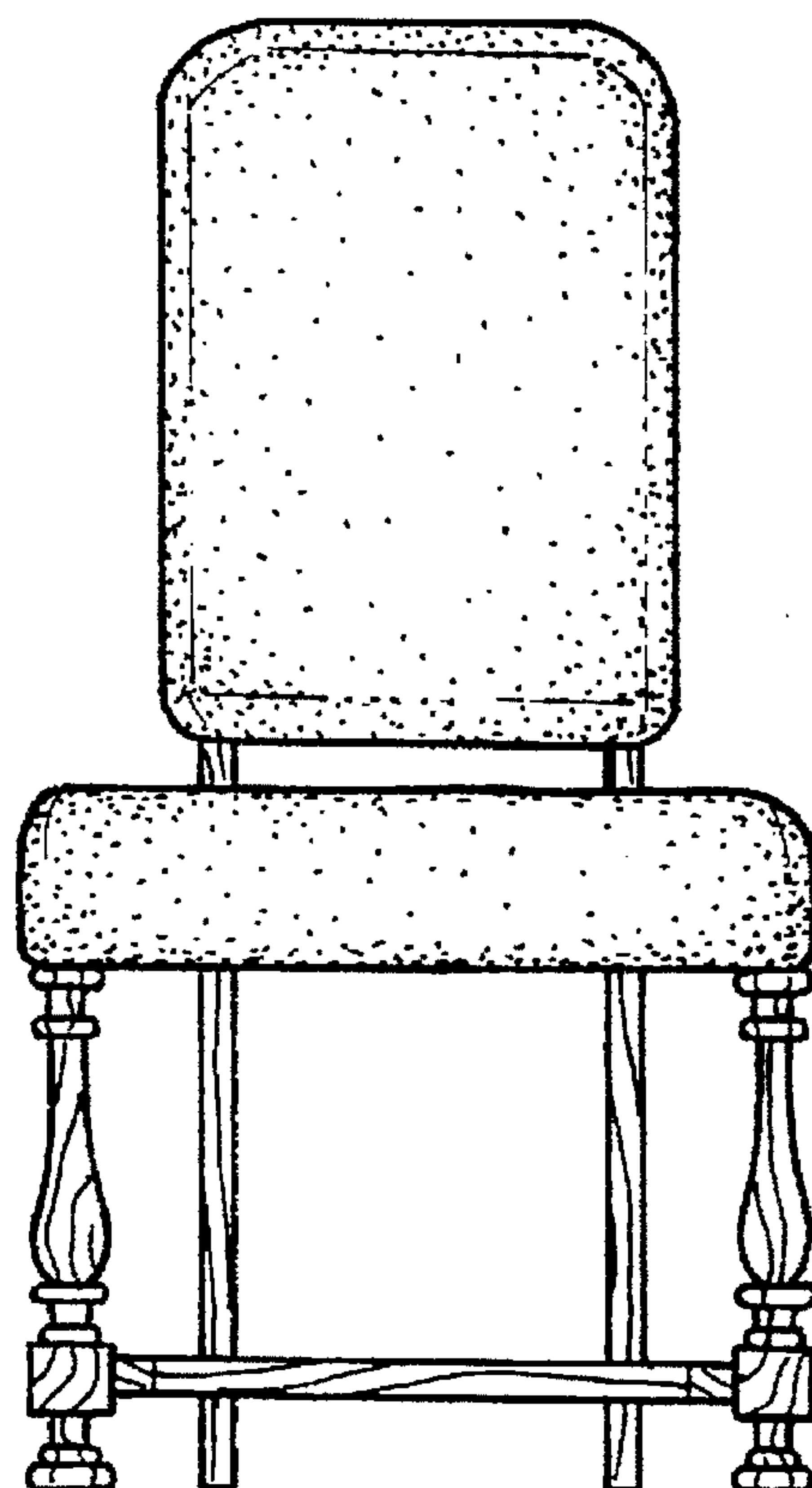


Fig - 2

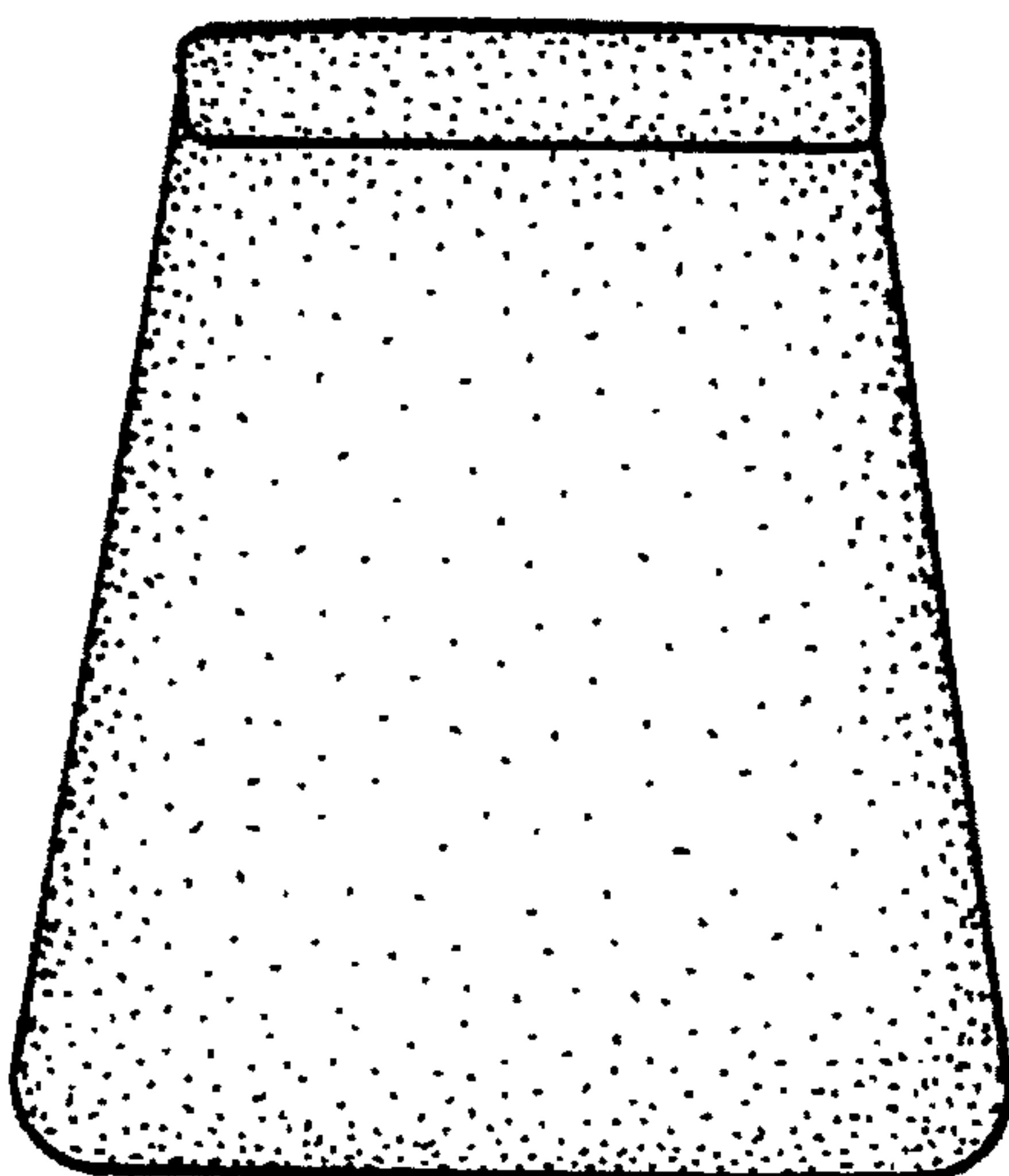


Fig - 3

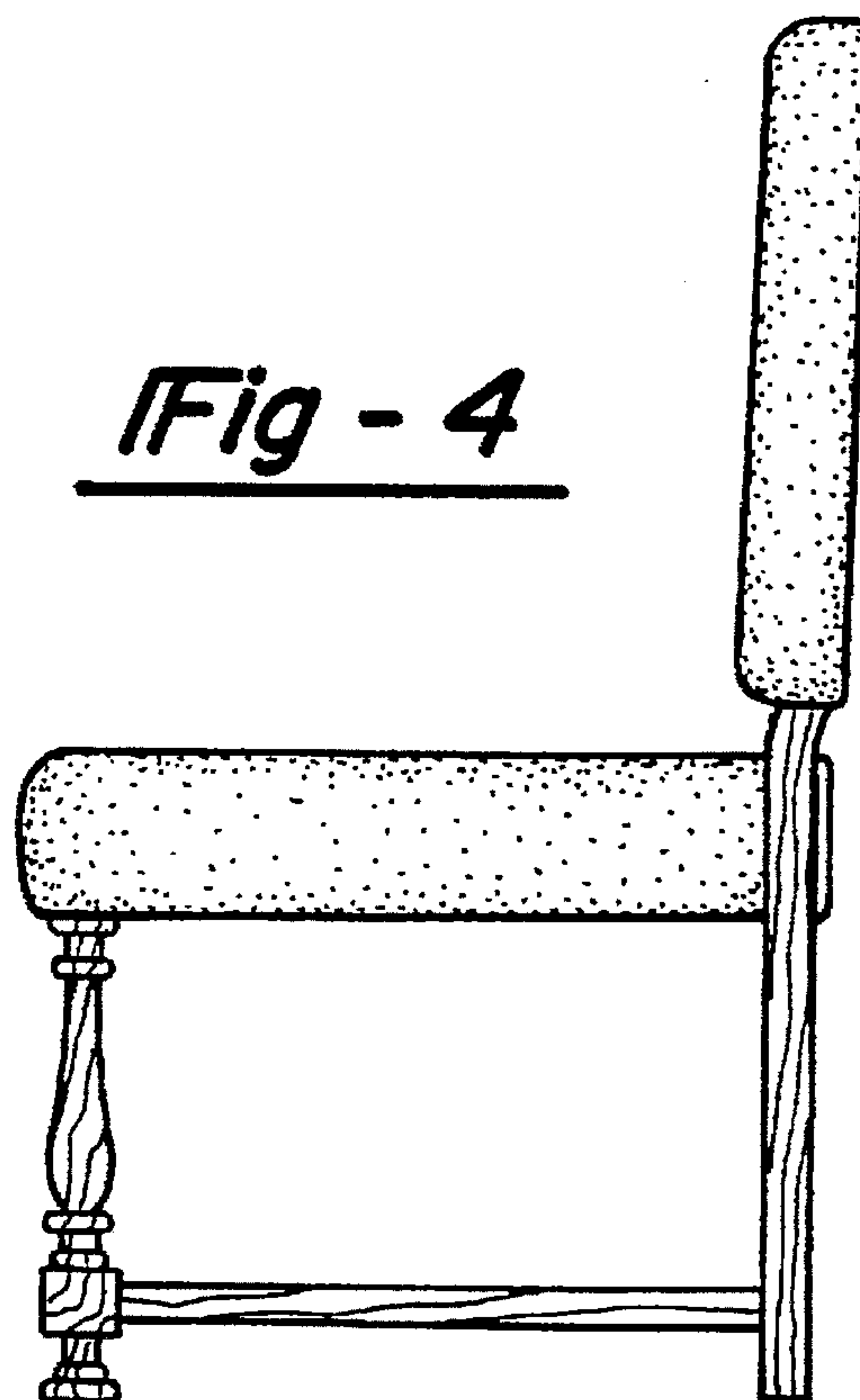


Fig - 4

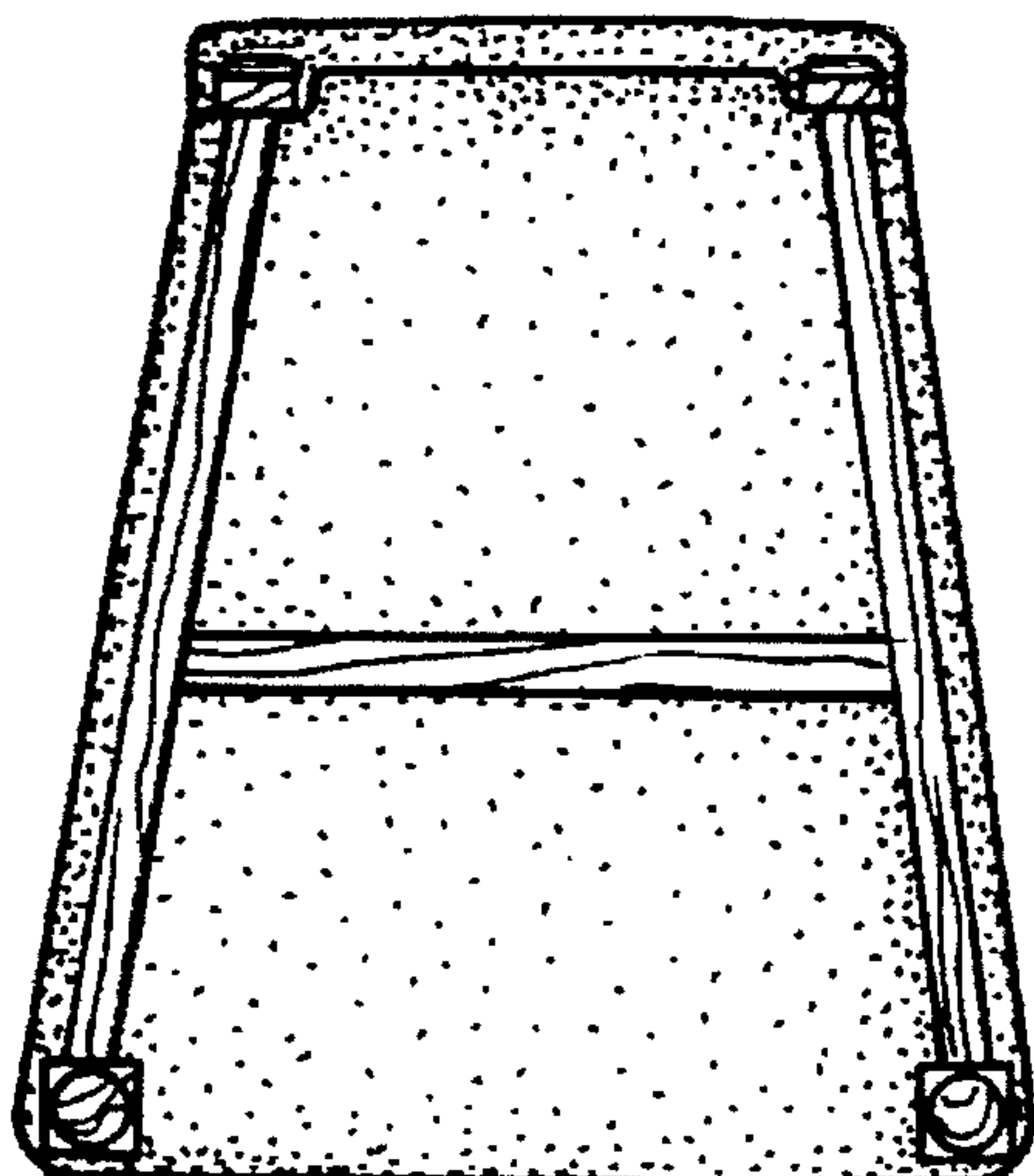


Fig - 5