



US00D380312S

United States Patent [19]

[11] Patent Number: **Des. 380,312**

Diaz-Azcuy

[45] Date of Patent: ****Jul. 1, 1997**

[54] **CHAIR**

[75] Inventor: **Orlando Diaz-Azcuy**, San Francisco, Calif.

[73] Assignee: **McGuire Furniture Company Inc.**, San Francisco, Calif.

[**] Term: **14 Years**

[21] Appl. No.: **51,439**

[22] Filed: **Mar. 11, 1996**

[51] LOC (6) Cl. **06-01**

[52] U.S. Cl. **D6/369; D6/379**

[58] Field of Search **D6/334, 369, 370, D6/374, 376, 379, 380, 500, 501, 502; 297/446.1**

[56] **References Cited**

U.S. PATENT DOCUMENTS

- D. 255,295 6/1980 Thorpe D6/369
- D. 261,333 10/1981 Adkinson D6/369
- D. 266,377 10/1982 Claman D6/369
- D. 340,364 10/1993 Caldwell D6/370
- D. 345,868 4/1994 McGuire et al. .
- D. 358,499 5/1995 McGuire .

OTHER PUBLICATIONS

The Antiques Directory of Furniture, (Judith & Martin Miller, eds. 1985), p. 198, picture No. 579.
 McGuire Catalog dated 1985, 1987, 1992, p. 17 for Model M-17, M-27 chairs.
 McGuire Catalog dated 1985, 1987, 1992, p. 18 for Model M-37, M-38 chairs.
 McGuire Catalog dated 1985, 1987, 1992, p. 24 for Model M-79 chairs.

McGuire Catalog dated 1985, 1987, 1992, p. 26 for Model M-119/SL, M-120/SL chairs.

McGuire Catalog dated 1985, 1987, 1992, p. 27 for all model chairs.

McGuire Catalog dated 1988, 1990, 1992, 1994, p. 38a for Model M-179/SL chairs.

Calif-Asia/Hermosa Rattan, ©1976, p. 22, Chair at mid-page left.

Primary Examiner—Gary D. Watson

Attorney, Agent, or Firm—Merchant, Gould, Smith, Edell, Welter & Schmidt, P.A.

[57] **CLAIM**

The ornamental design for chair, as shown and described.

DESCRIPTION

FIG. 1 is a perspective view taken from the top, front and right side of a chair embodying my new design;

FIG. 2 is a front elevational view thereof;

FIG. 3 is a rear elevational view thereof;

FIG. 4 is a right side elevational view thereof, the left side elevational view being the mirror image of the right side shown;

FIG. 5 is a top plan view thereof;

FIG. 6 is a bottom plan view thereof;

FIG. 7 is a perspective view taken from the top, front and right side of a second embodiment of my new design;

FIG. 8 is a front elevational view thereof;

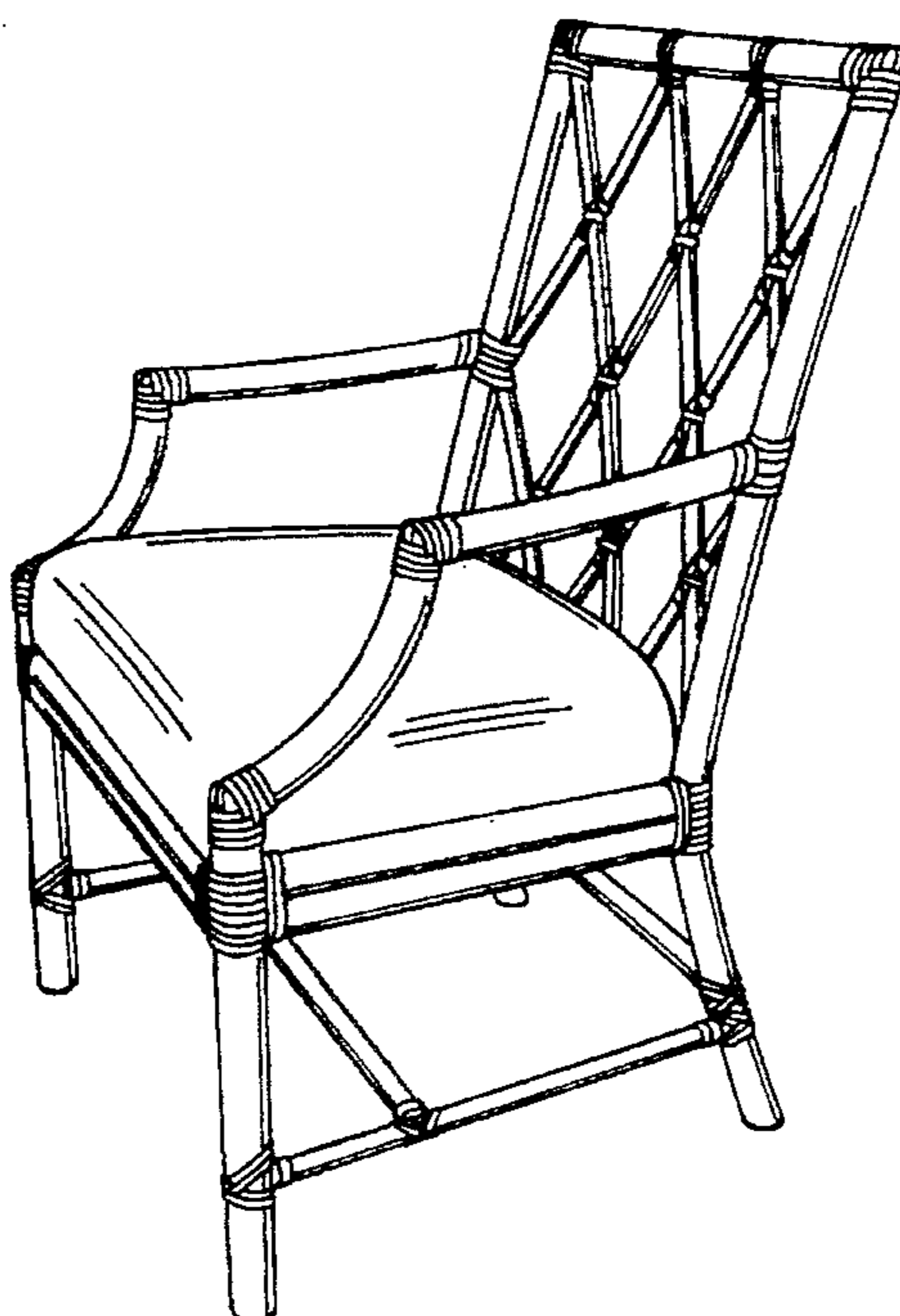
FIG. 9 is a rear elevational view thereof;

FIG. 10 is a right side elevational view thereof, the left side elevational view being the mirror image of the right side shown;

FIG. 11 is a top plan view thereof; and,

FIG. 12 is a bottom plan view thereof.

1 Claim, 6 Drawing Sheets



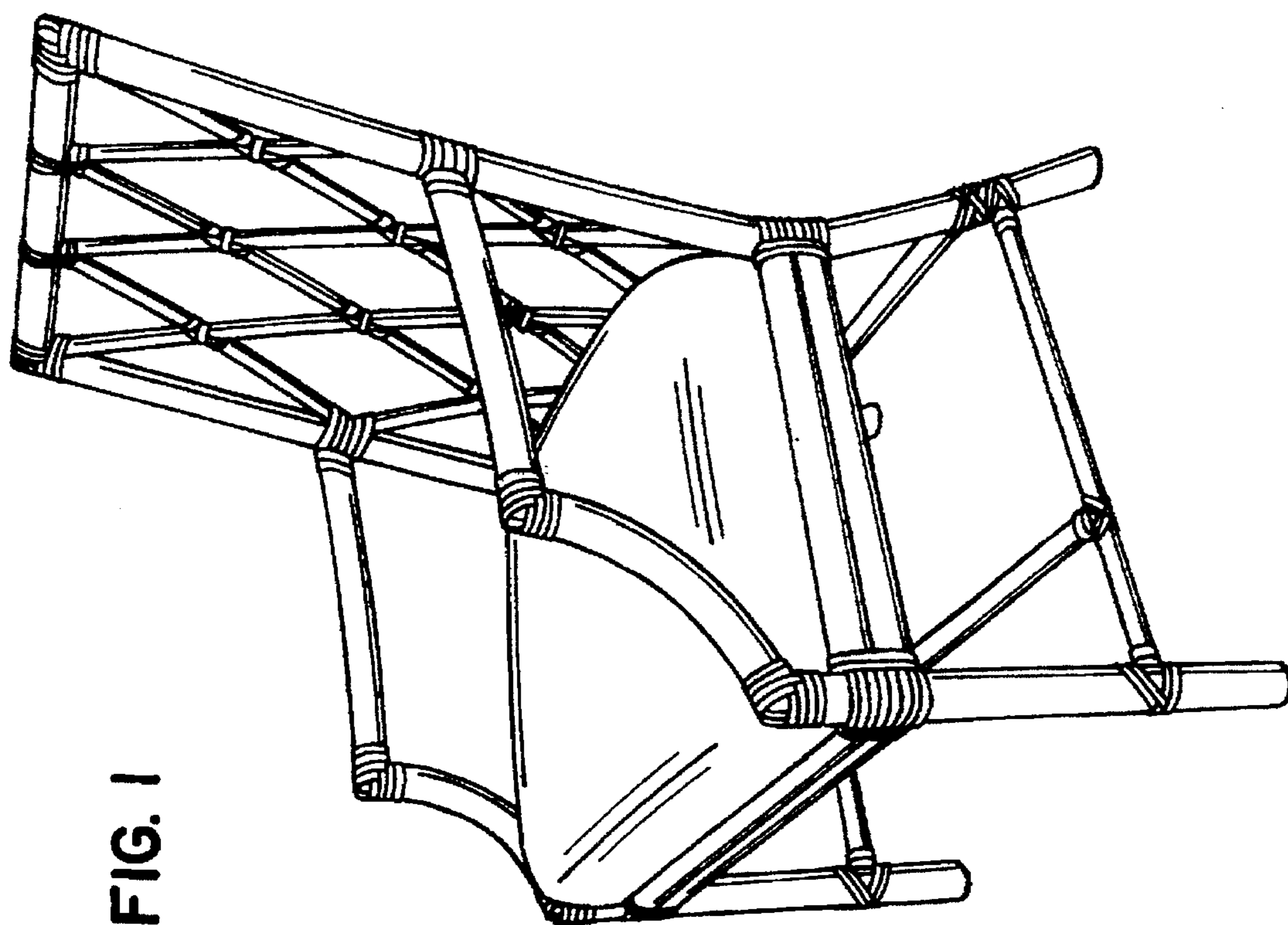


FIG. 1

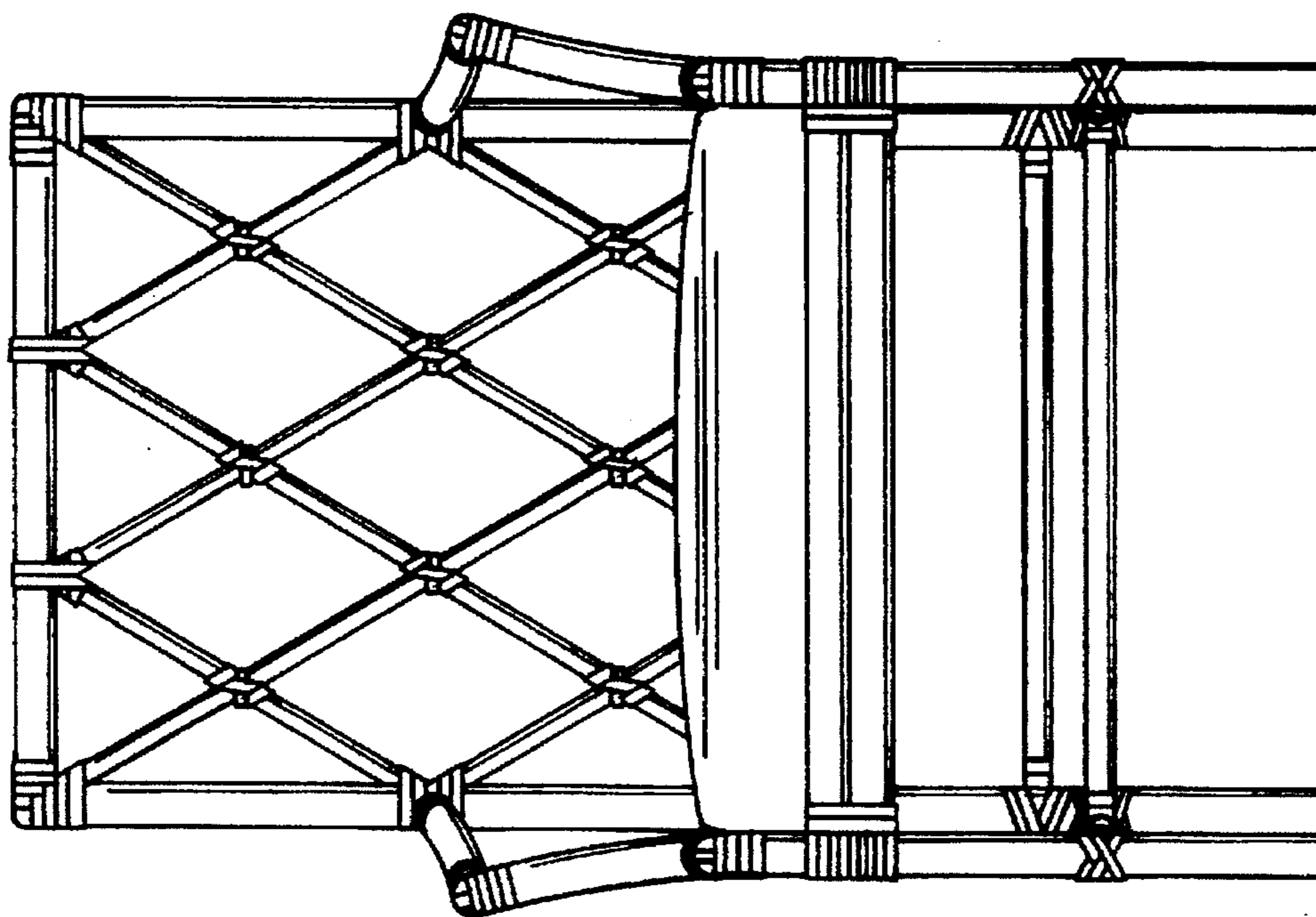


FIG. 2

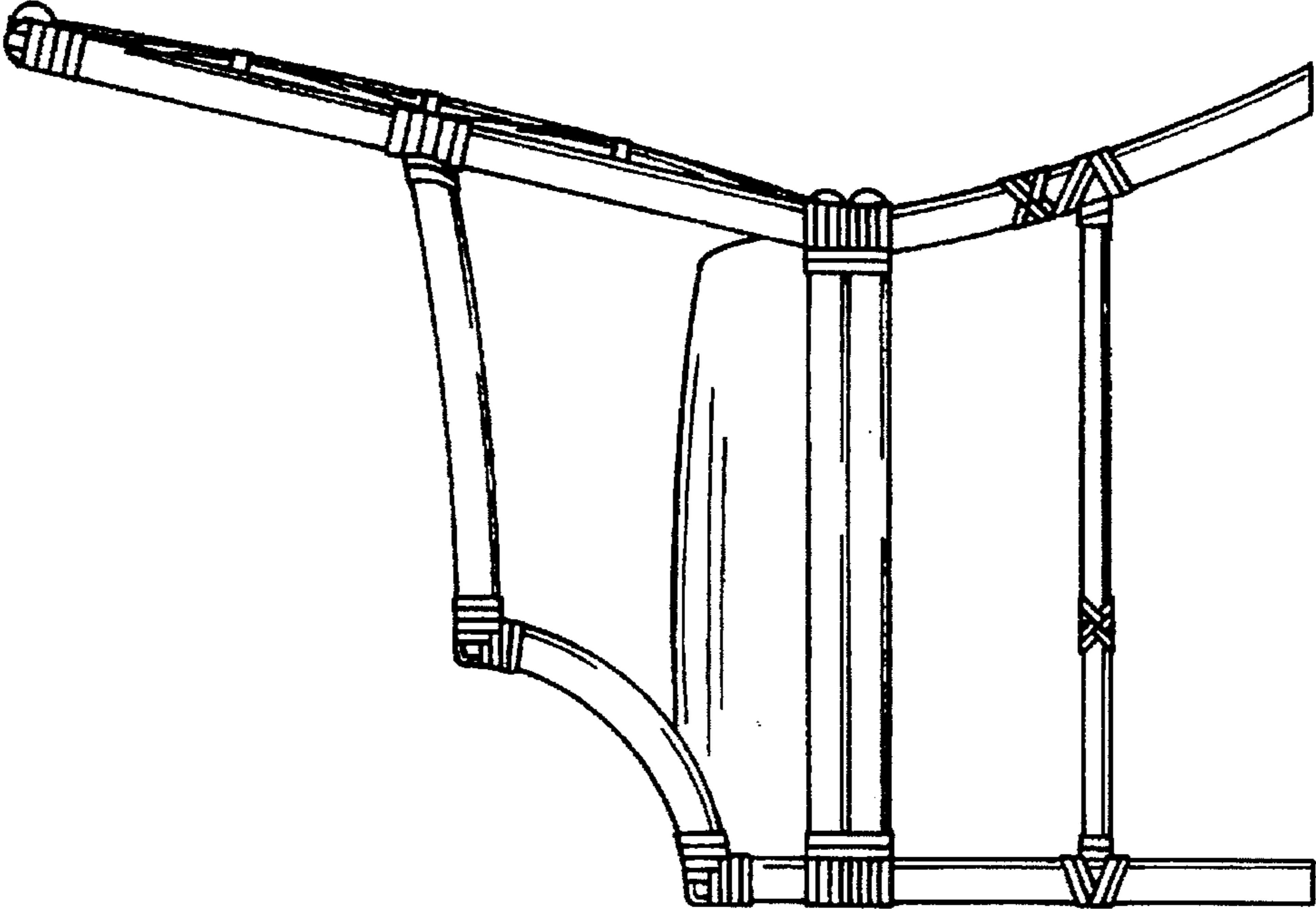


FIG. 4

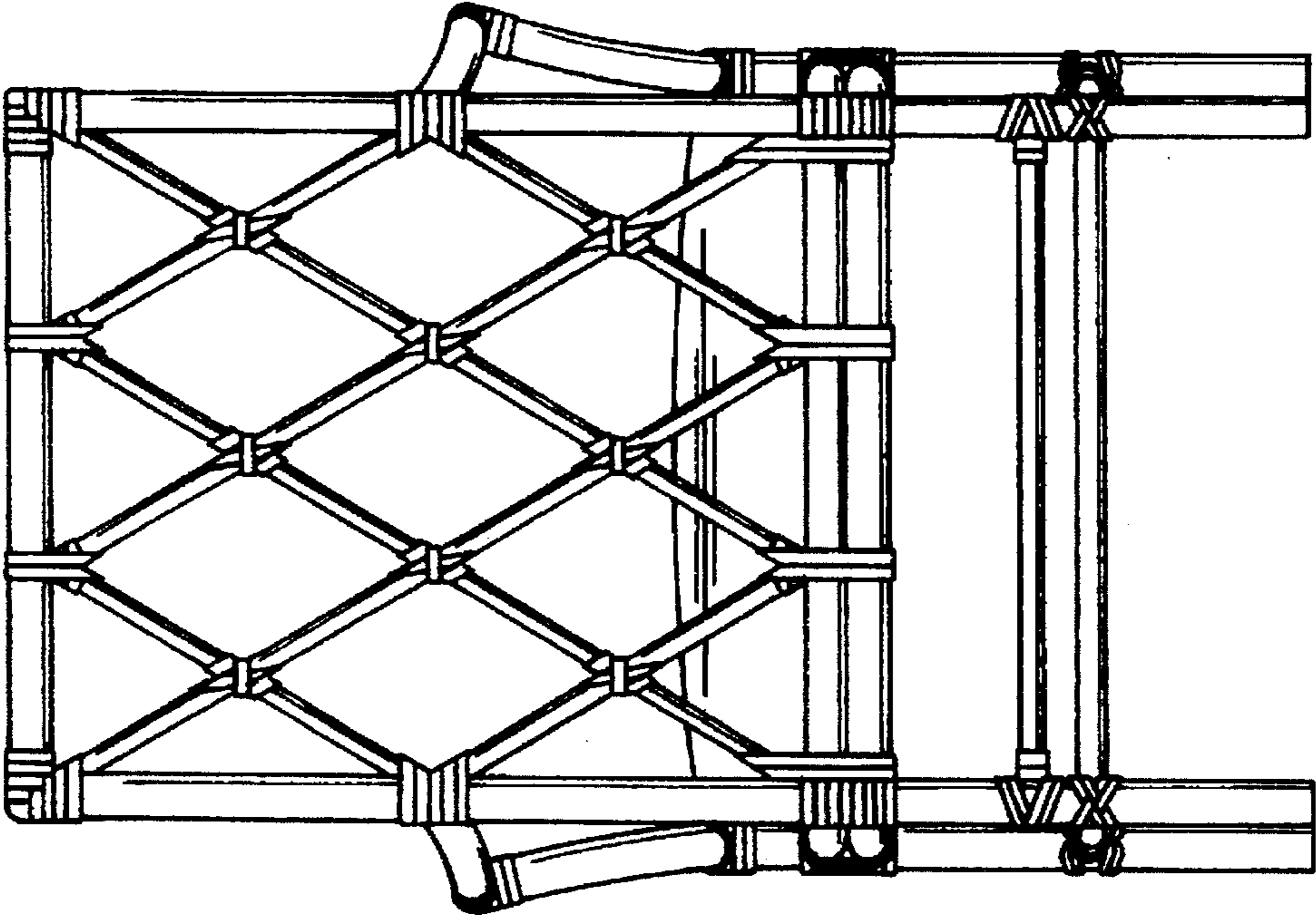


FIG. 3

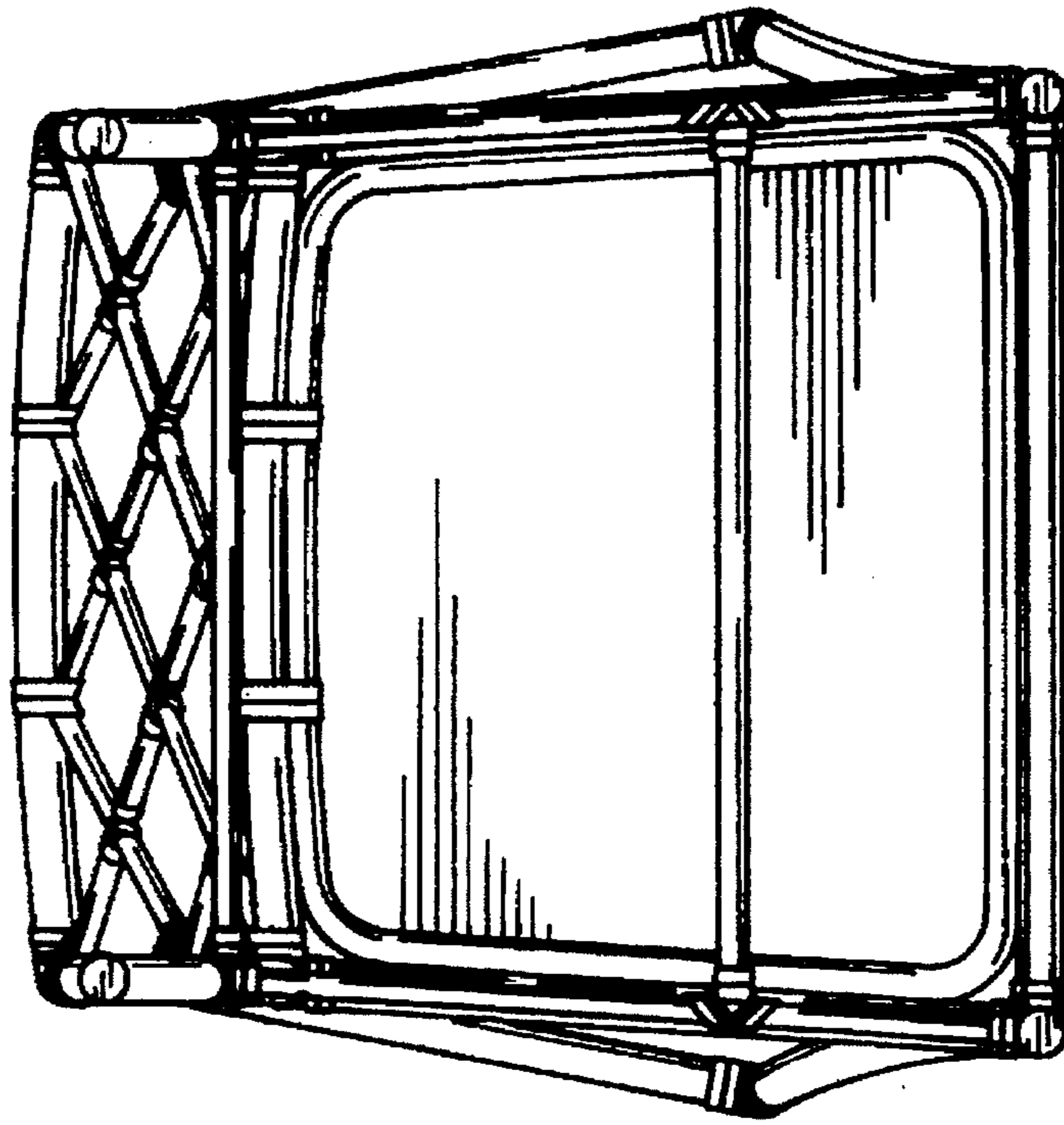


FIG. 6

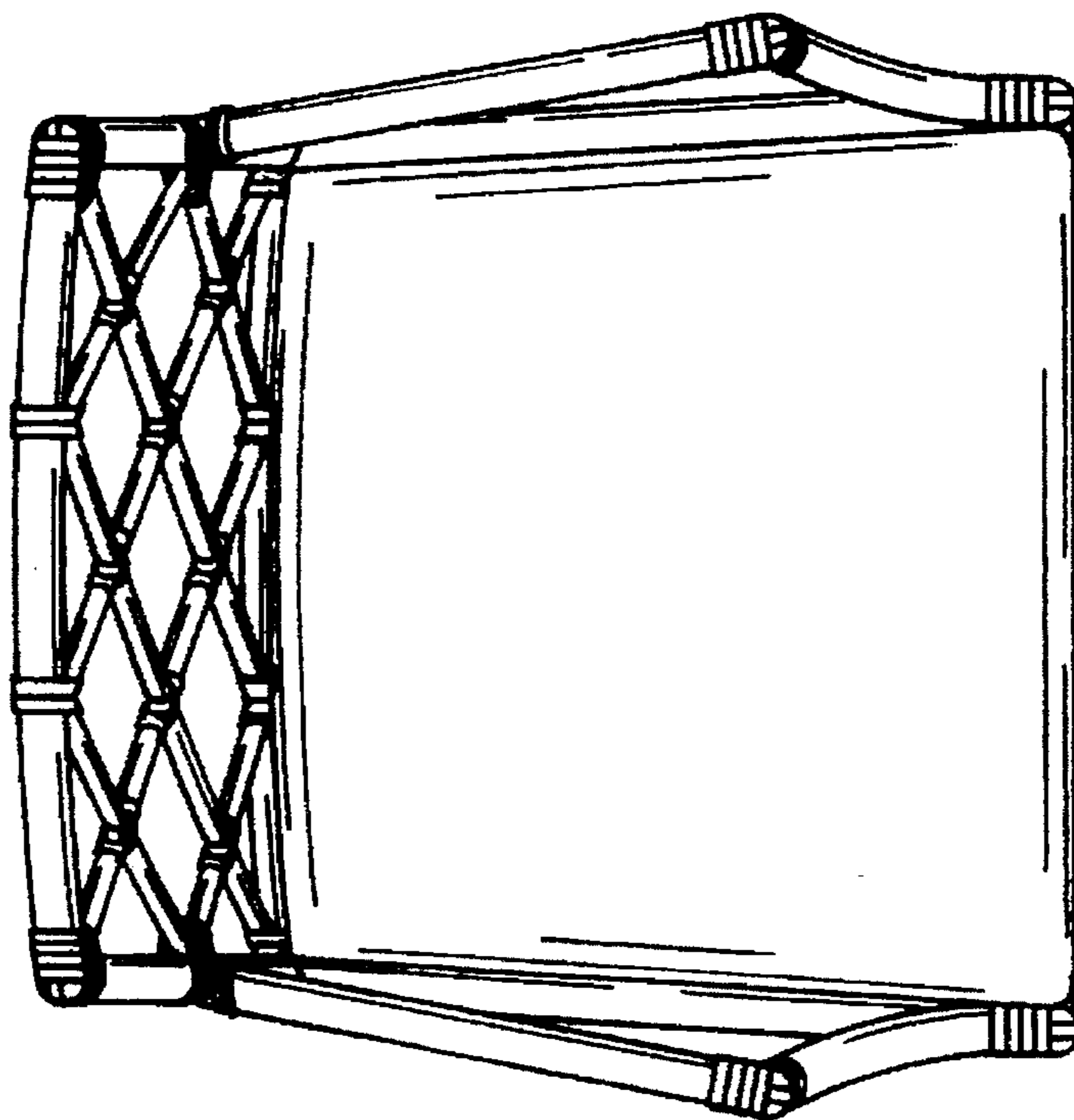


FIG. 5

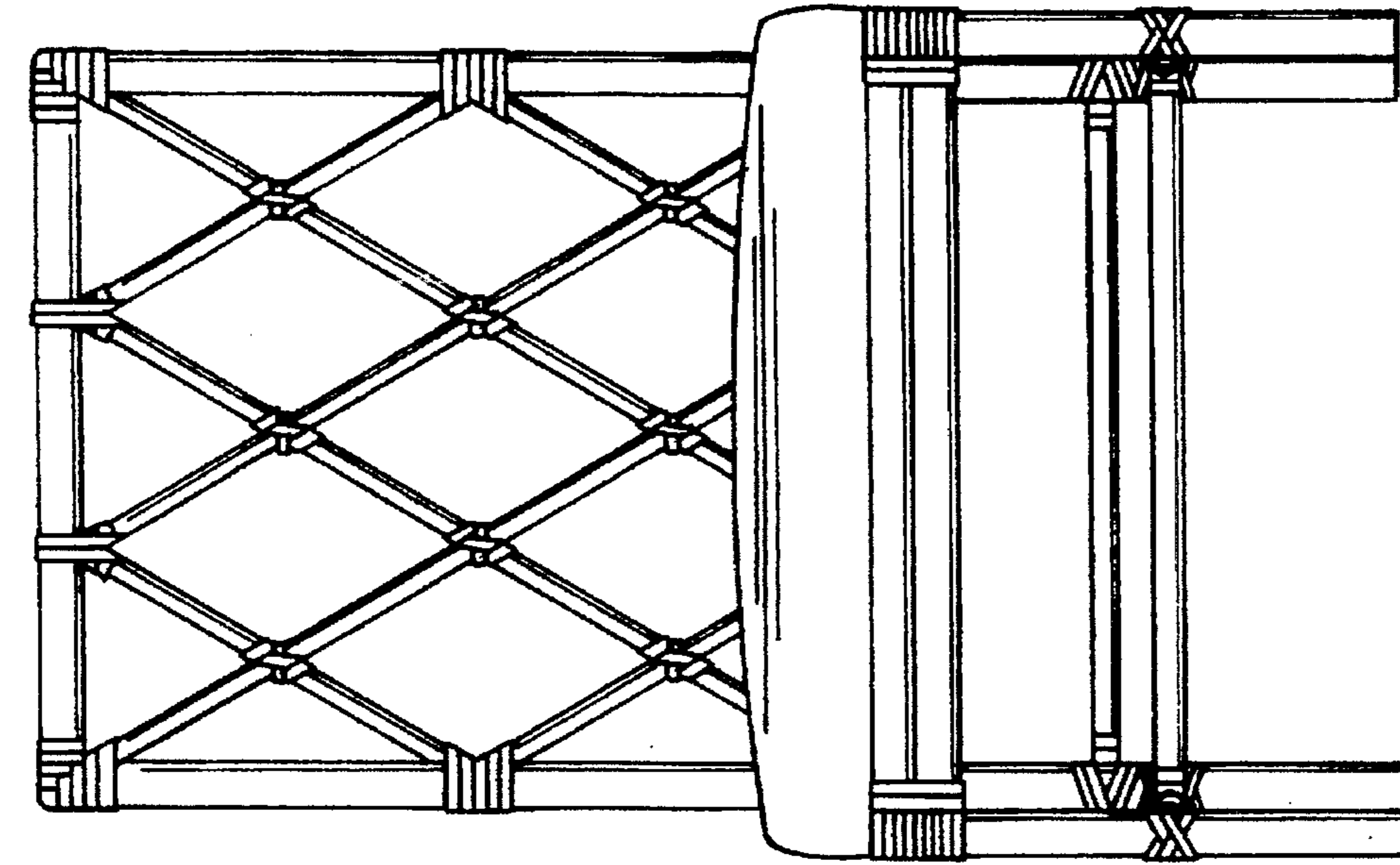


FIG. 8

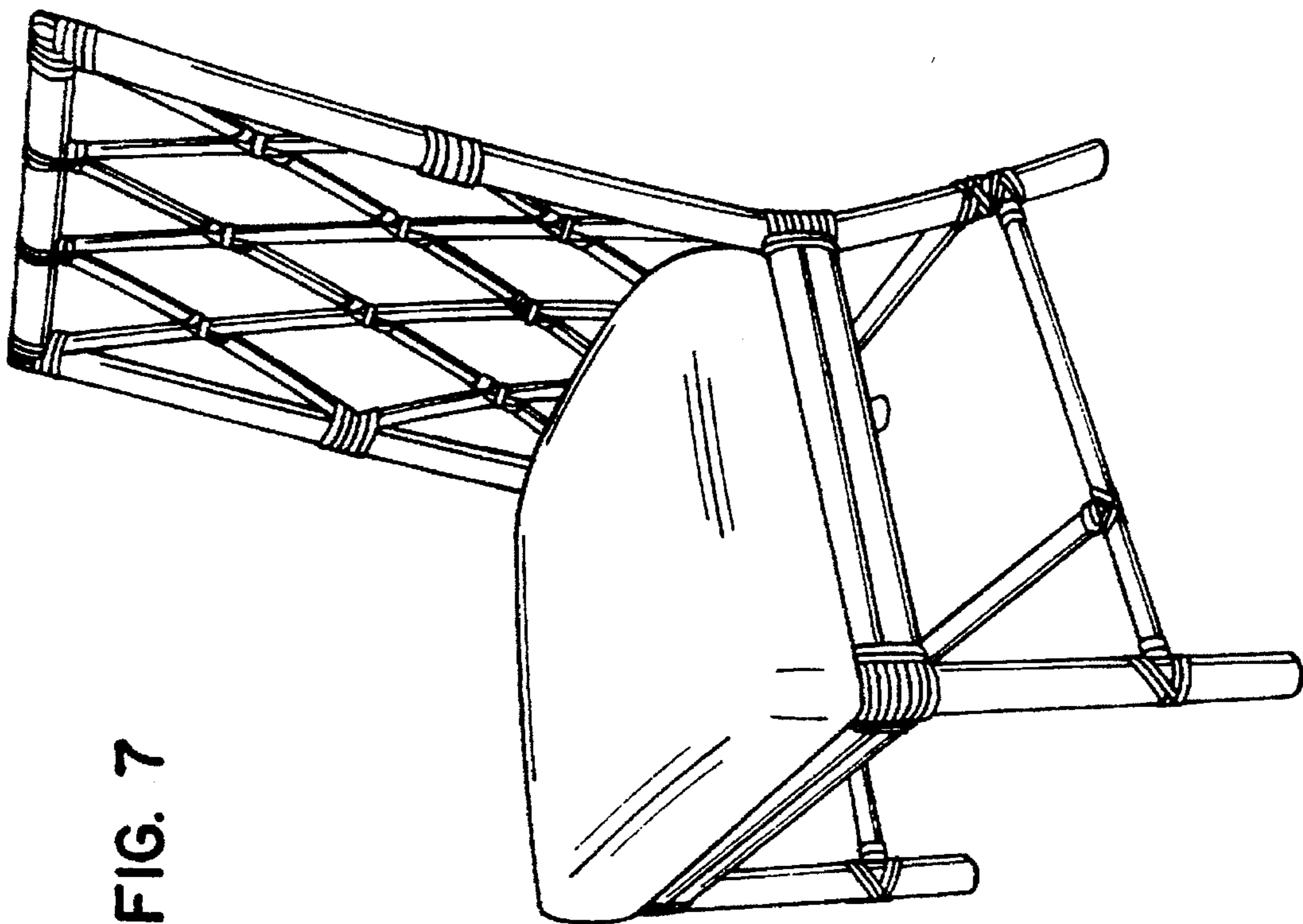


FIG. 7

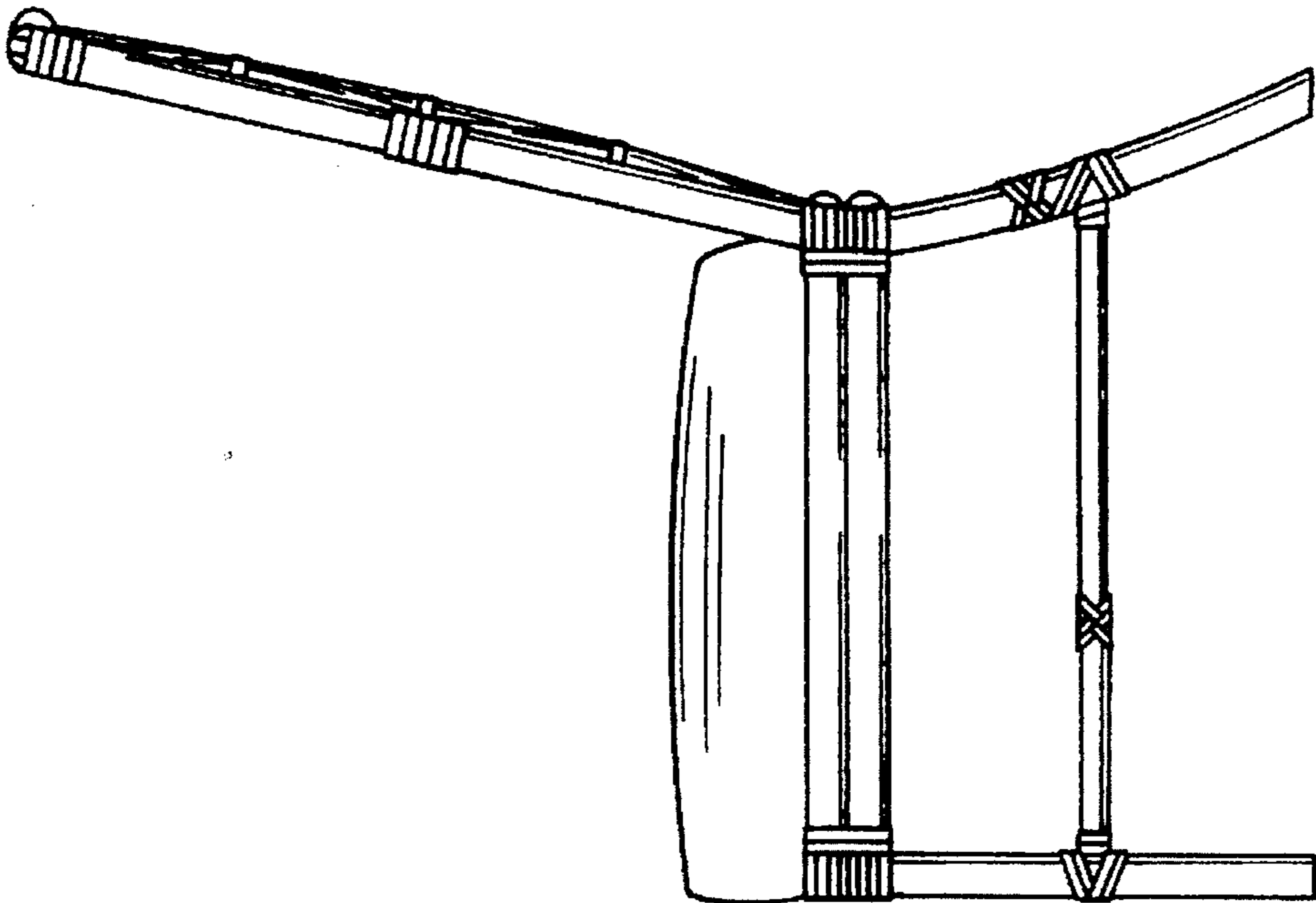


FIG. 10

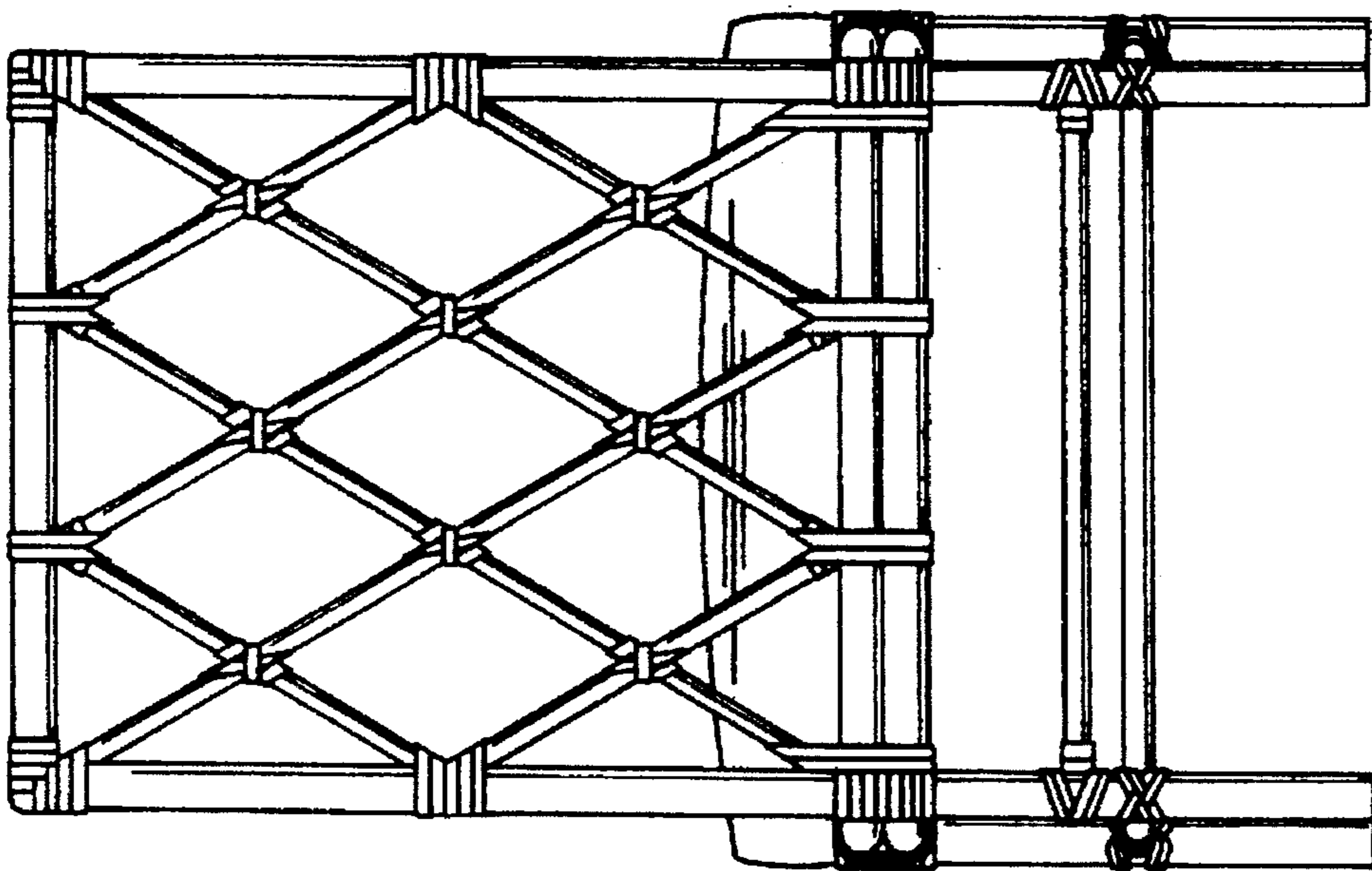


FIG. 9

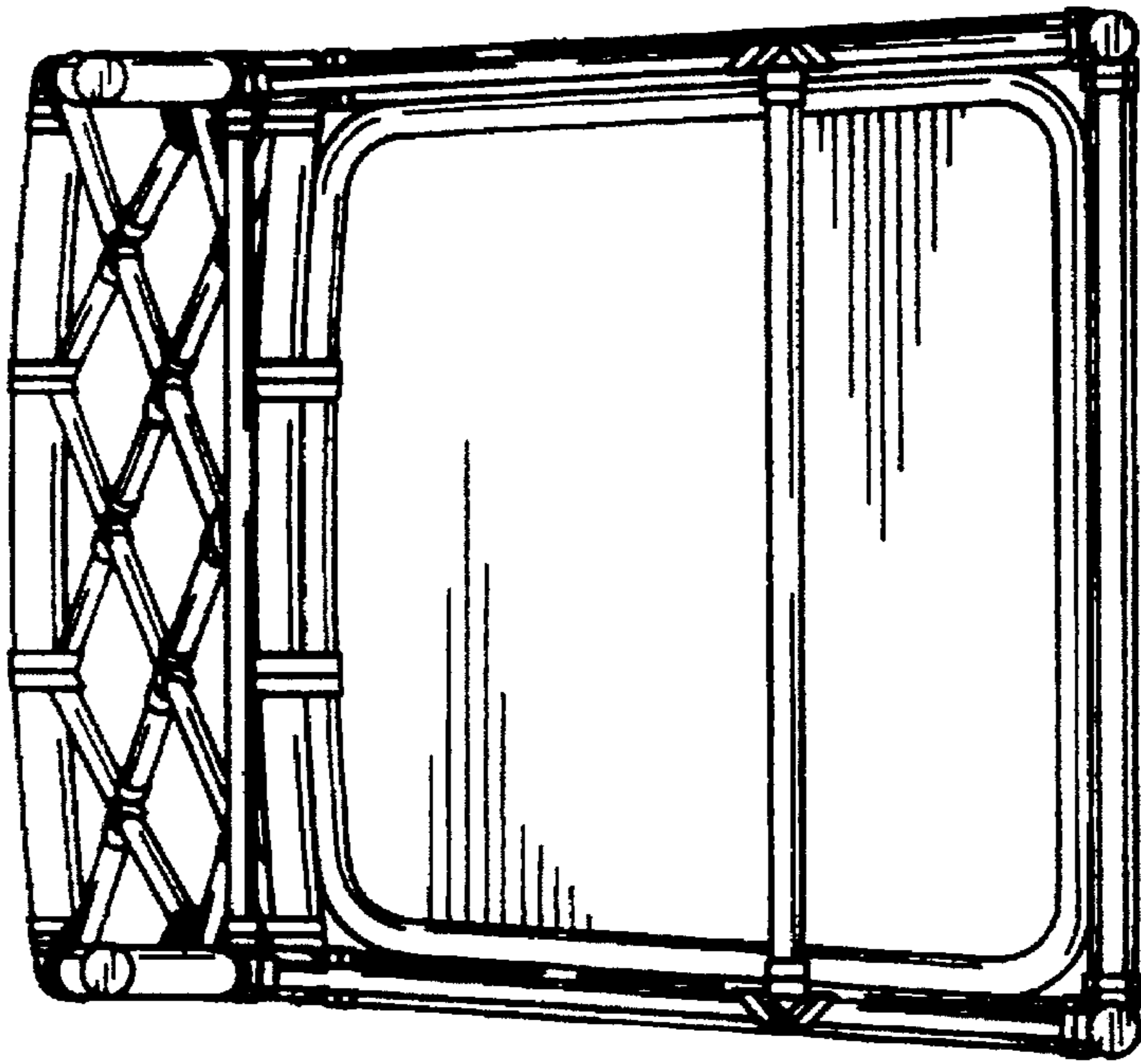


FIG. 12

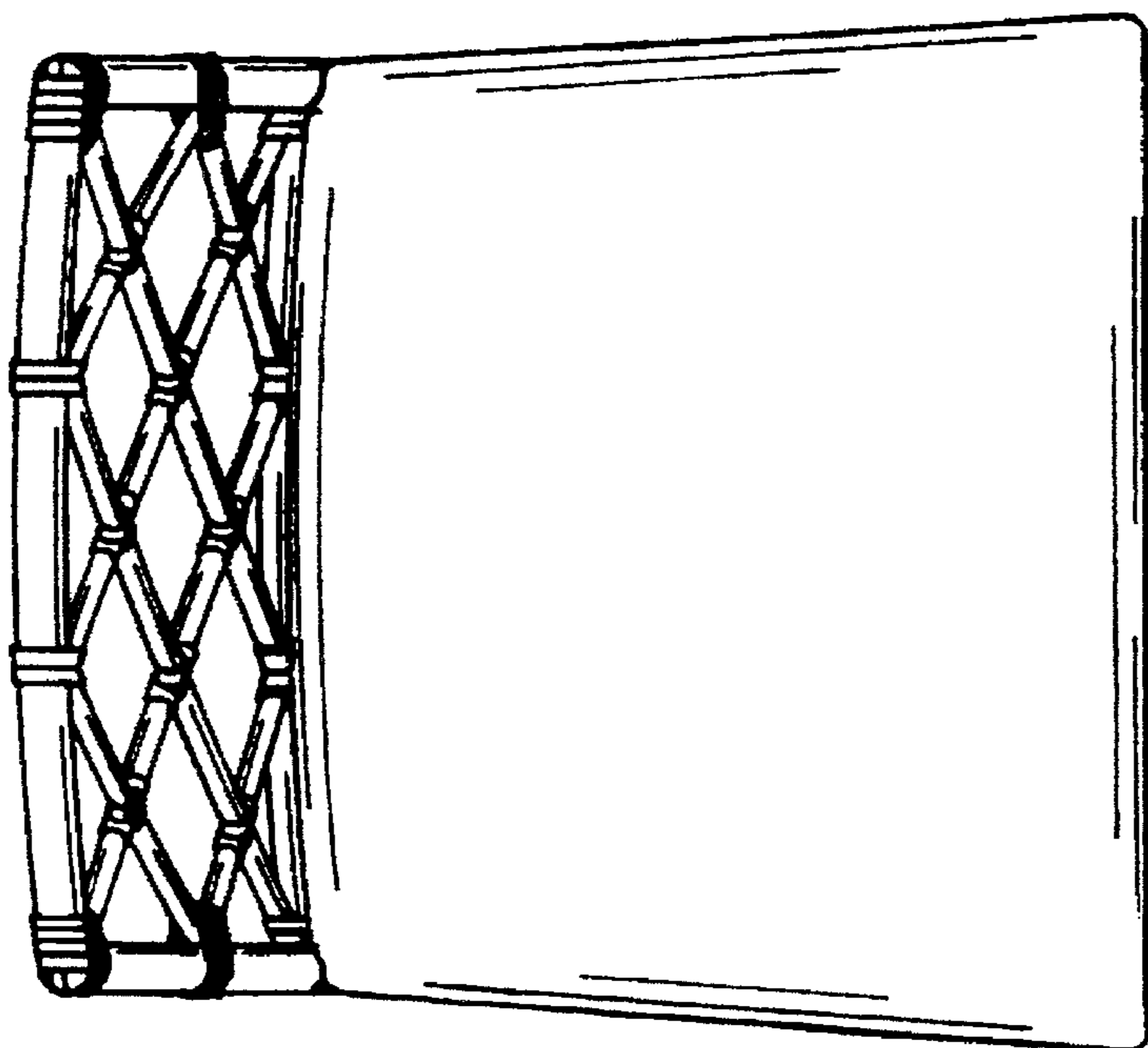


FIG. 11