



US00D380311S

United States Patent [19]
Diaz-Azcuy

[11] **Patent Number: Des. 380,311**
[45] **Date of Patent: **Jul. 1, 1997**

[54] **CHAIR**

[75] **Inventor: Orlando Diaz-Azcuy, San Francisco, Calif.**

[73] **Assignee: McGuire Furniture Company Inc., San Francisco, Calif.**

[**] **Term: 14 Years**

[21] **Appl. No.: 51,438**

[22] **Filed: Mar. 11, 1996**

[51] **LOC (6) Cl. 06-01**

[52] **U.S. Cl. D6/369; D6/370; D6/379**

[58] **Field of Search D6/334, 369, 370, D6/374, 376, 379, 380, 500, 501, 502; 297/446.1**

[56] **References Cited**

U.S. PATENT DOCUMENTS

- D. 165,914 2/1952 Grundy D6/379
- D. 261,333 10/1981 Adkinson D6/369
- D. 340,590 10/1993 McGuire et al. .

OTHER PUBLICATIONS

- Baker advertisement undated (1950's-1960's time period).
- Baker advertisement undated (1950's-1960's time period) showing Model 3576-3 chair.
- Baker advertisement undated (1950's-1960's time period) showing Model 5080-3 chair.
- McGuire Catalog dated 1985, 1987, 1992, p. 17 for Models M-20, M-21 chairs.
- McGuire Catalog dated 1985, 1987, 1992, p. 25 for Model M-89 chair.
- McGuire Catalog dated 1985, 1987, 1992, p. 27 for Models M-117, M-118 chairs.

McGuire catalog dated 1985, 1987, 1992, p. 29 for Models M-151, M-152 chairs.

McGuire Catalog dated 1985, 1987, 1992, p. 31 for Models M-185/SL, M-186/SL chairs.

McGuire Catalog dated 1988, 1990, 1992, 1994, p. 38a for Models M-179/SL chairs.

McGuire Bamboo Tables Brochure dated 1990, pp. 6-8. Willow & Reed, Apr. 7, 1973, p. 17., Chair at bottom right. Calif-Asia/Hermosa Rattan, ©1976, p. 44, Chair in bottom right of frame 3.

Primary Examiner—Gary D. Watson
Attorney, Agent, or Firm—Merchant, Gould, Smith, Edell, Welter & Schmidt, P.A.

[57] **CLAIM**

The ornamental design for chair, as shown and described.

DESCRIPTION

- FIG. 1 is a perspective view taken from the top, front and right side of a chair embodying my new design;
- FIG. 2 is a front elevational view thereof;
- FIG. 3 is a rear elevational view thereof;
- FIG. 4 is a right side elevational view thereof, the left side elevational view being the mirror image of the right side shown;
- FIG. 5 is a top plan view thereof;
- FIG. 6 is a bottom plan view thereof;
- FIG. 7 is a perspective view taken from the top, front and right side of a second embodiment of my new design;
- FIG. 8 is a front elevational view thereof;
- FIG. 9 is a rear elevational view thereof;
- FIG. 10 is a right side elevational view thereof, the left side elevational view being the mirror image of the right side shown;
- FIG. 11 is a top plan view thereof; and,
- FIG. 12 is a bottom plan view thereof.

1 Claim, 6 Drawing Sheets

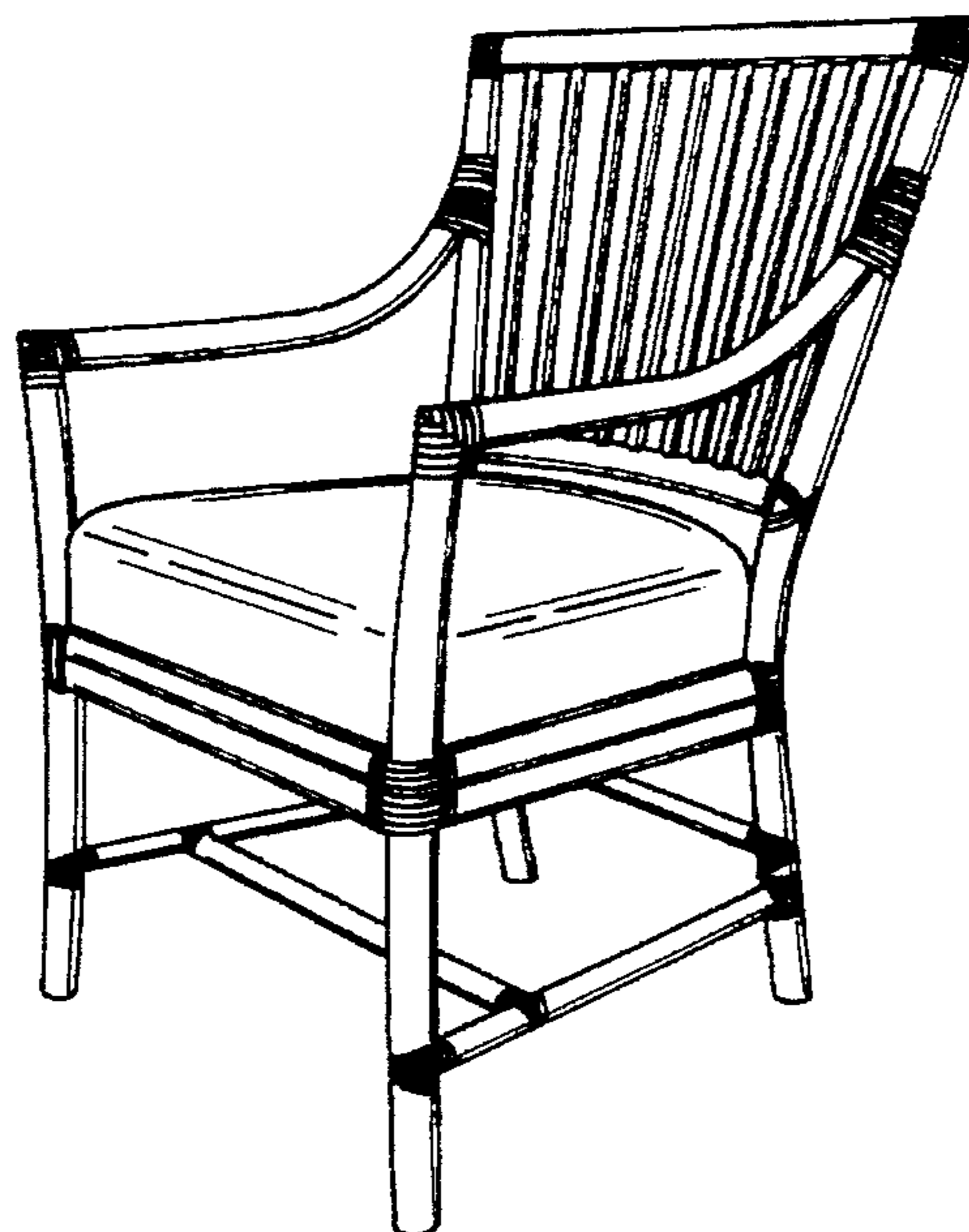


FIG. 2

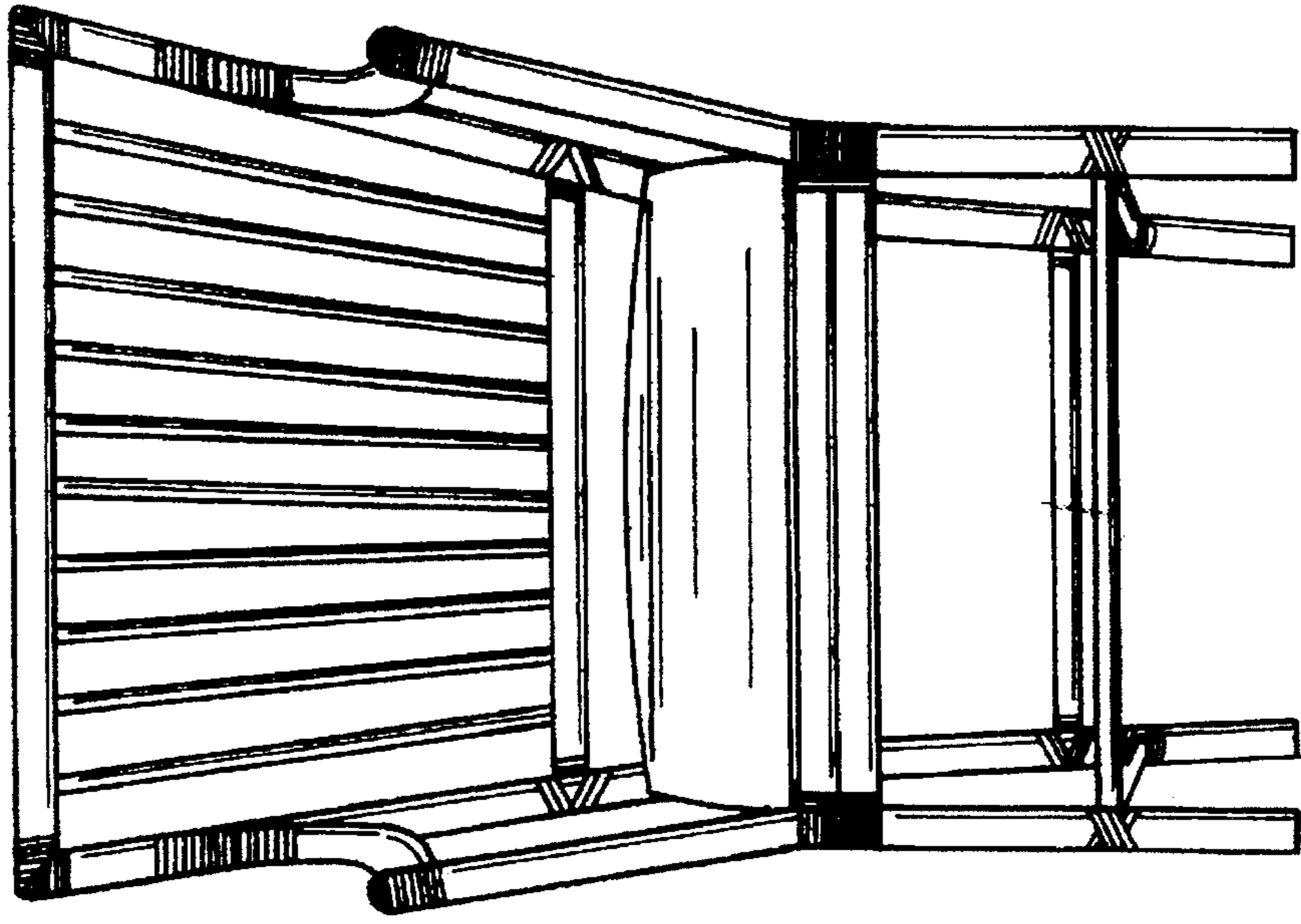


FIG. 1

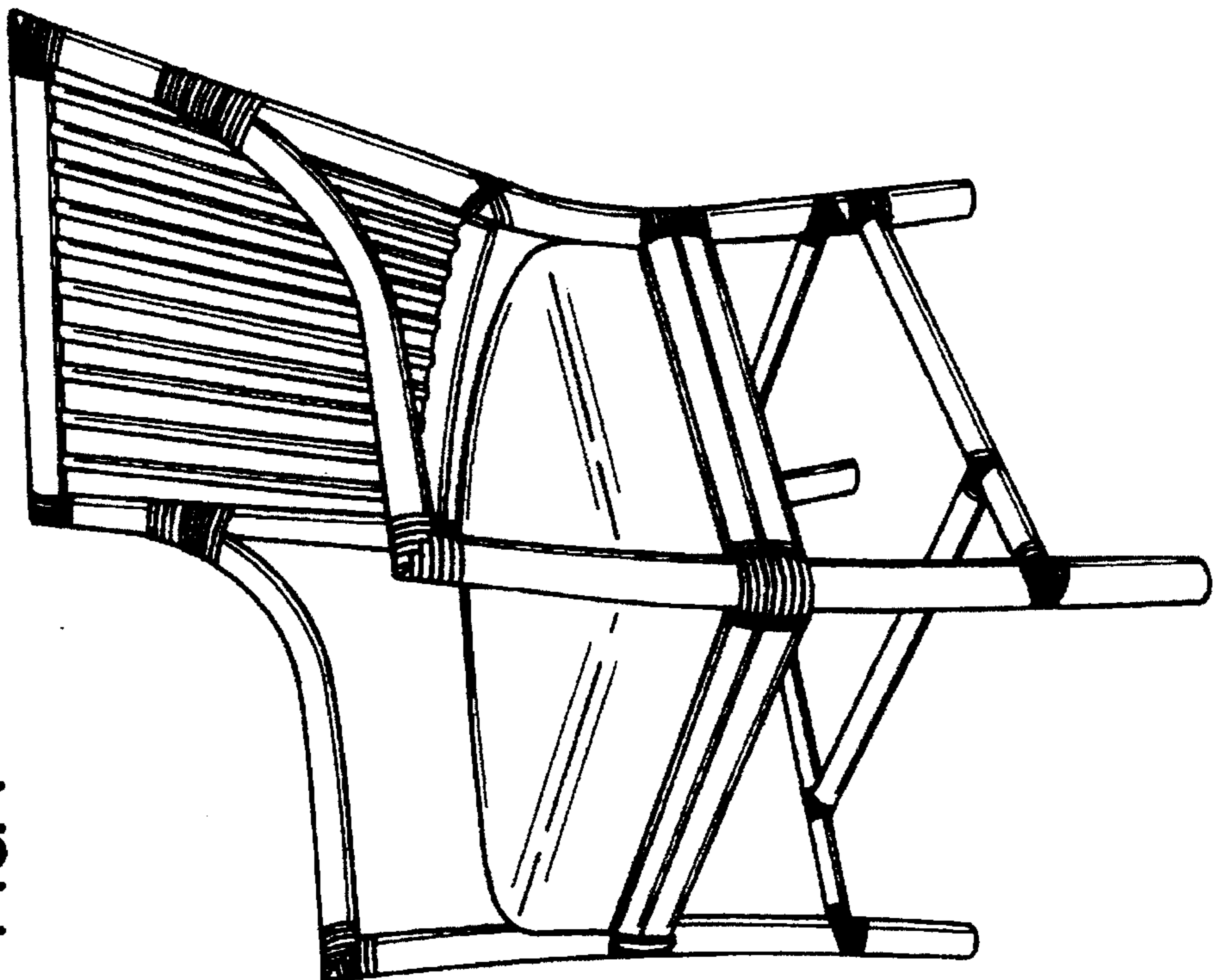


FIG. 4

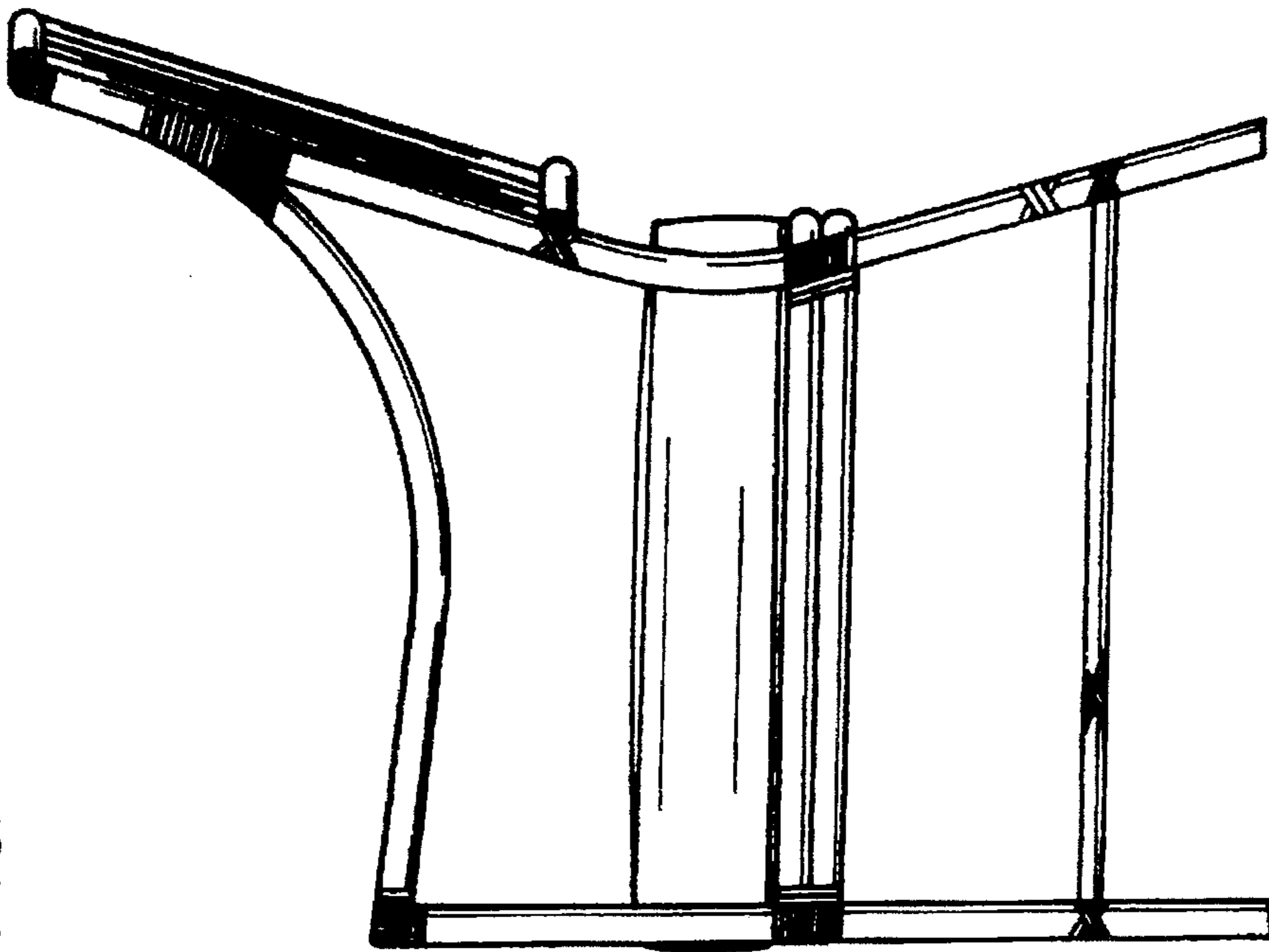


FIG. 3

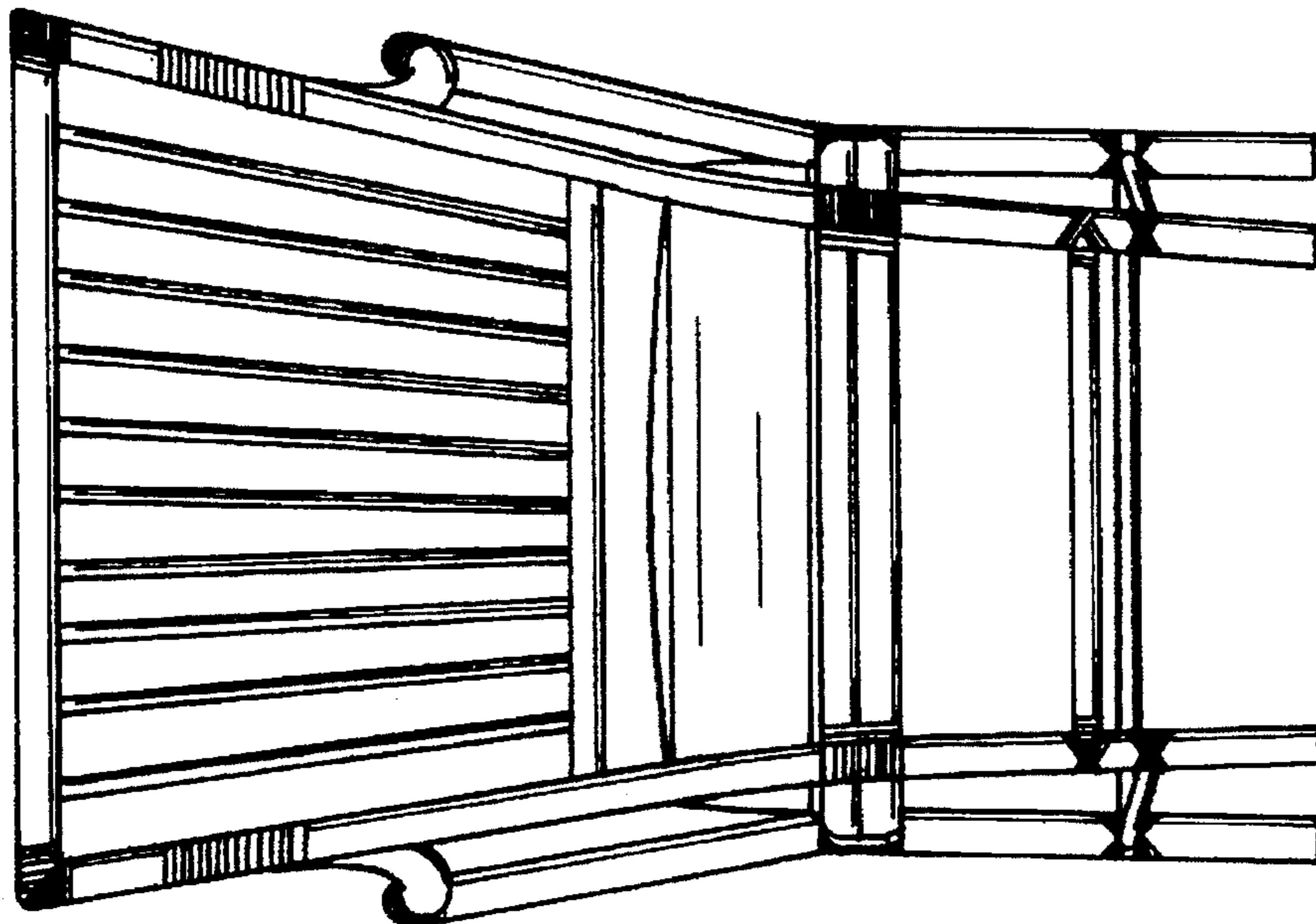


FIG. 6

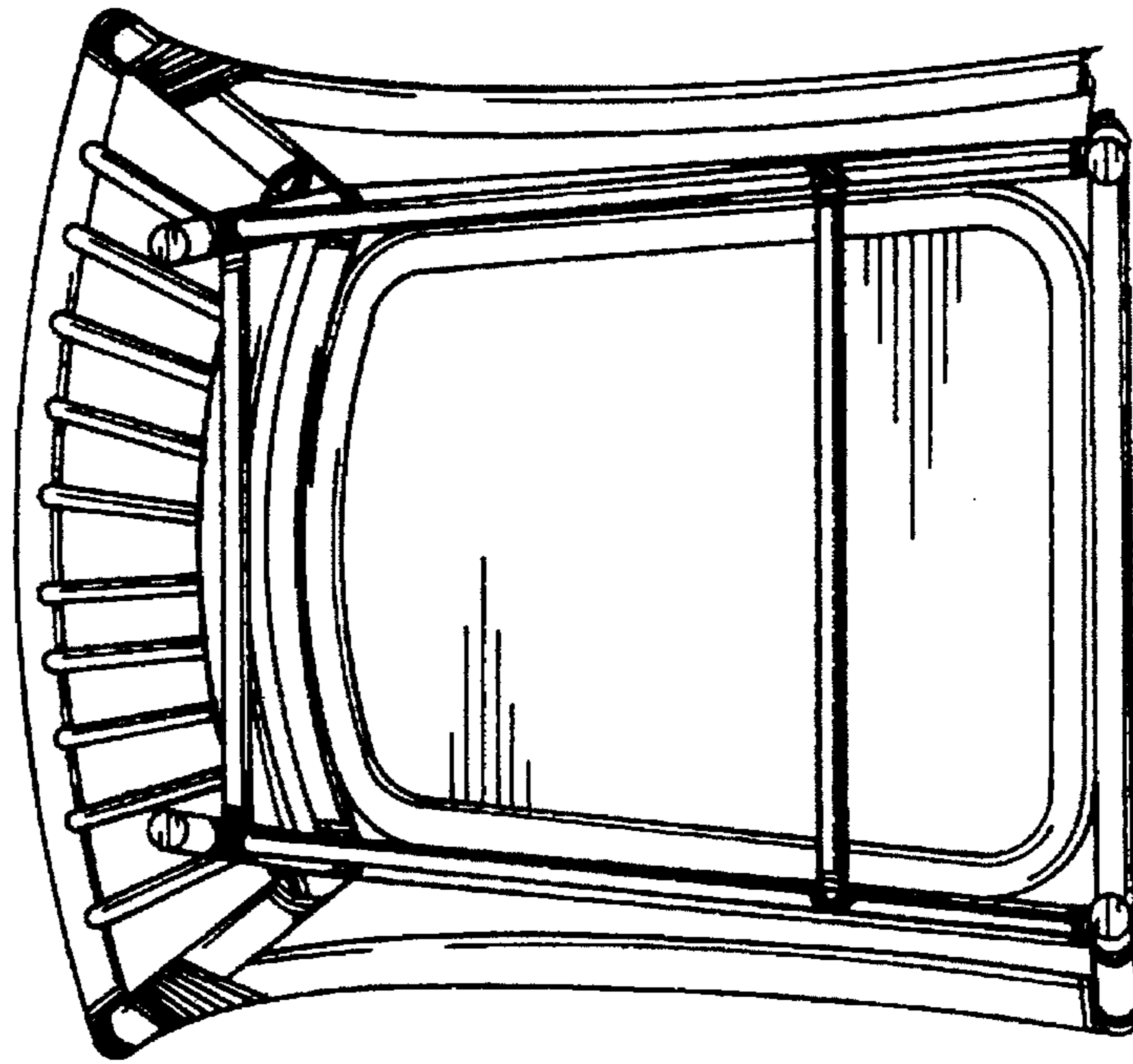


FIG. 5

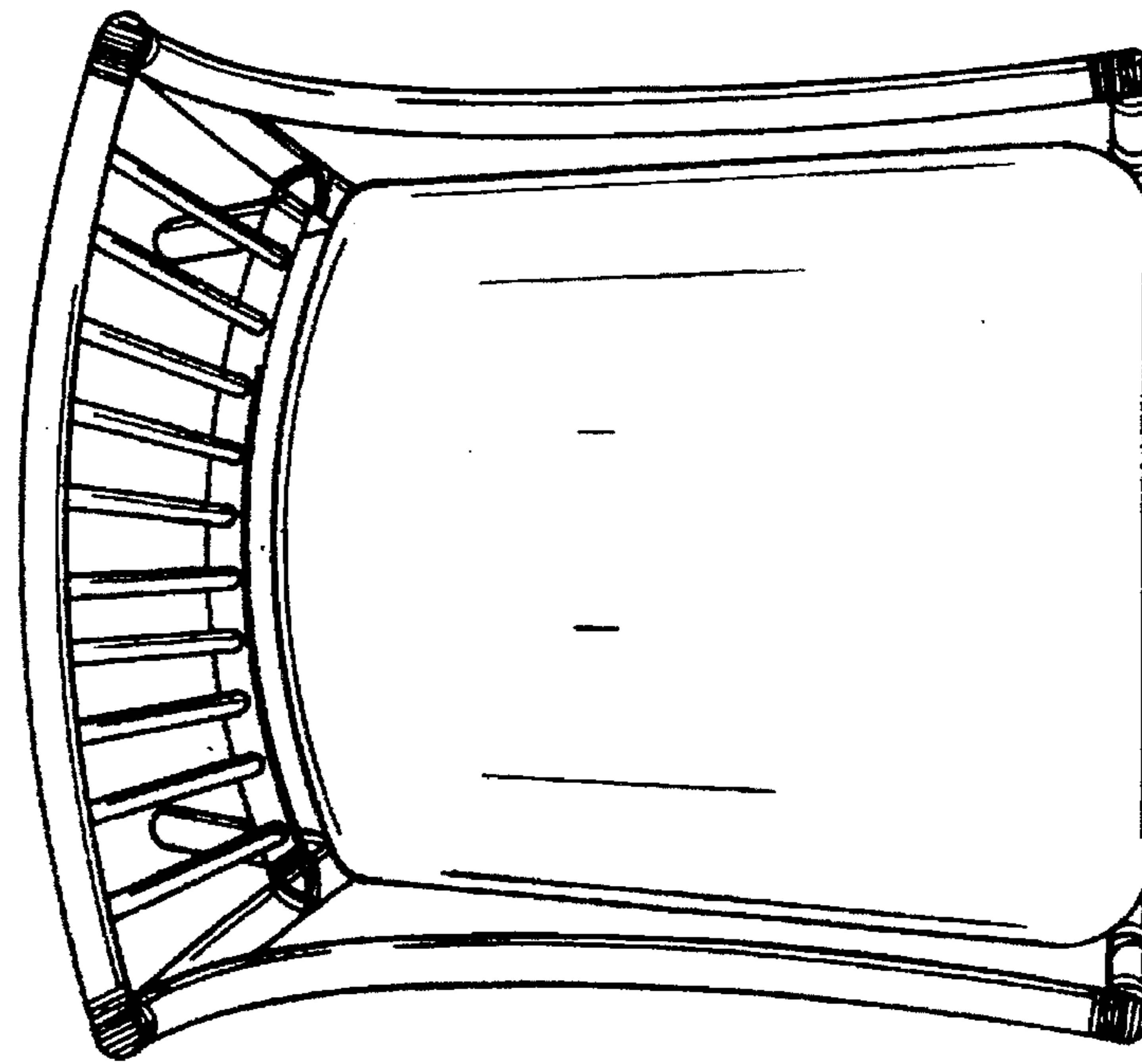


FIG. 8

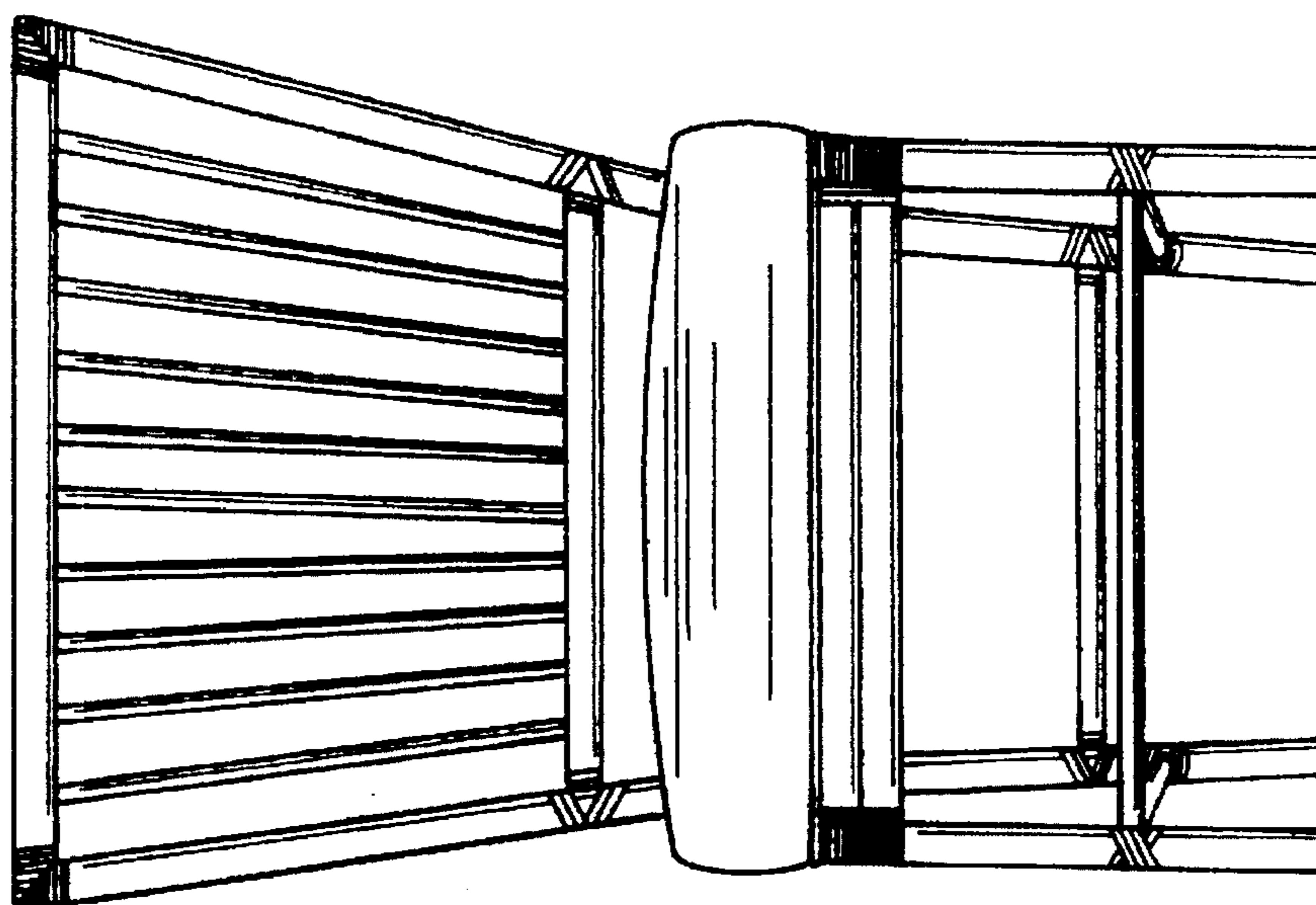


FIG. 7

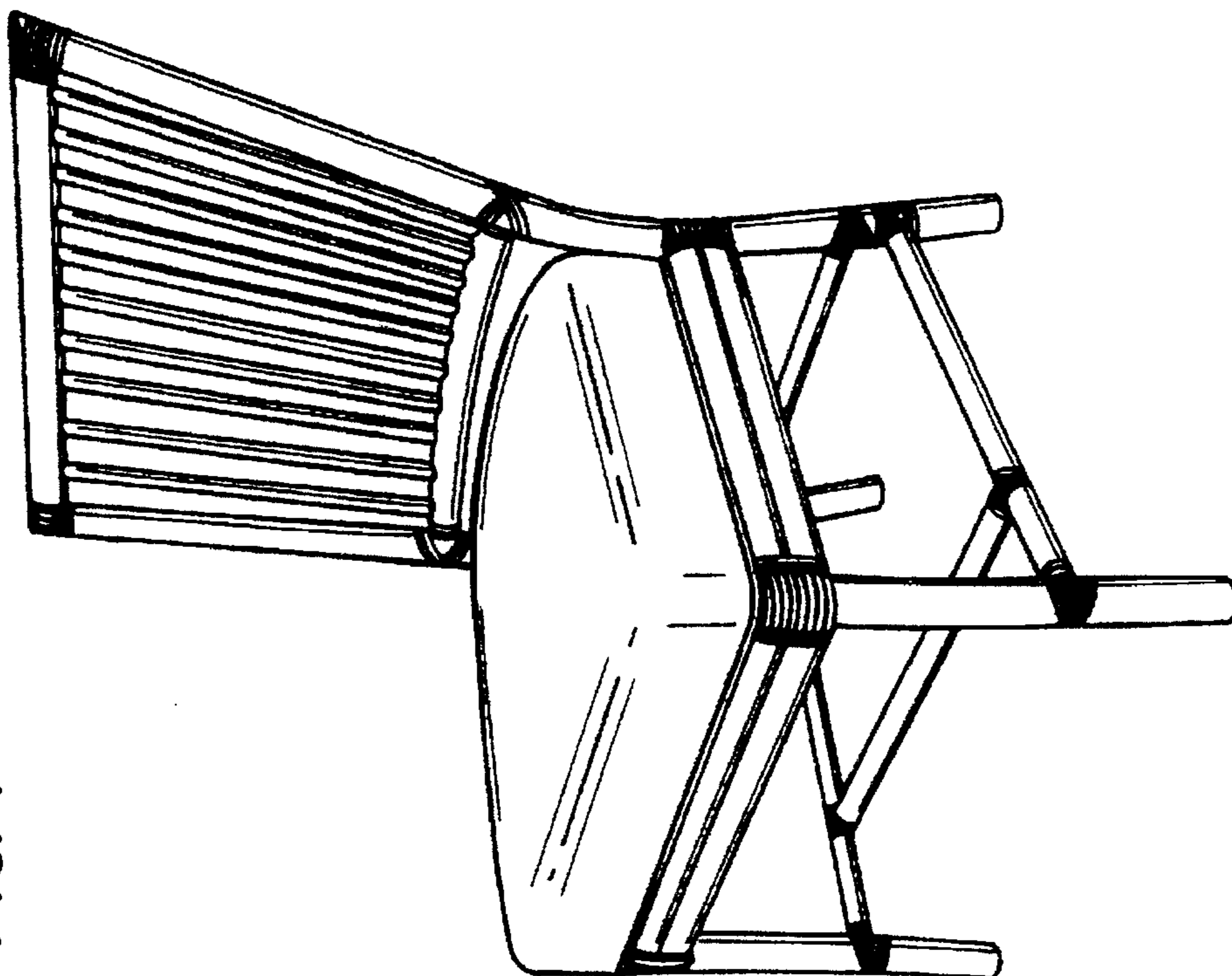


FIG. 10

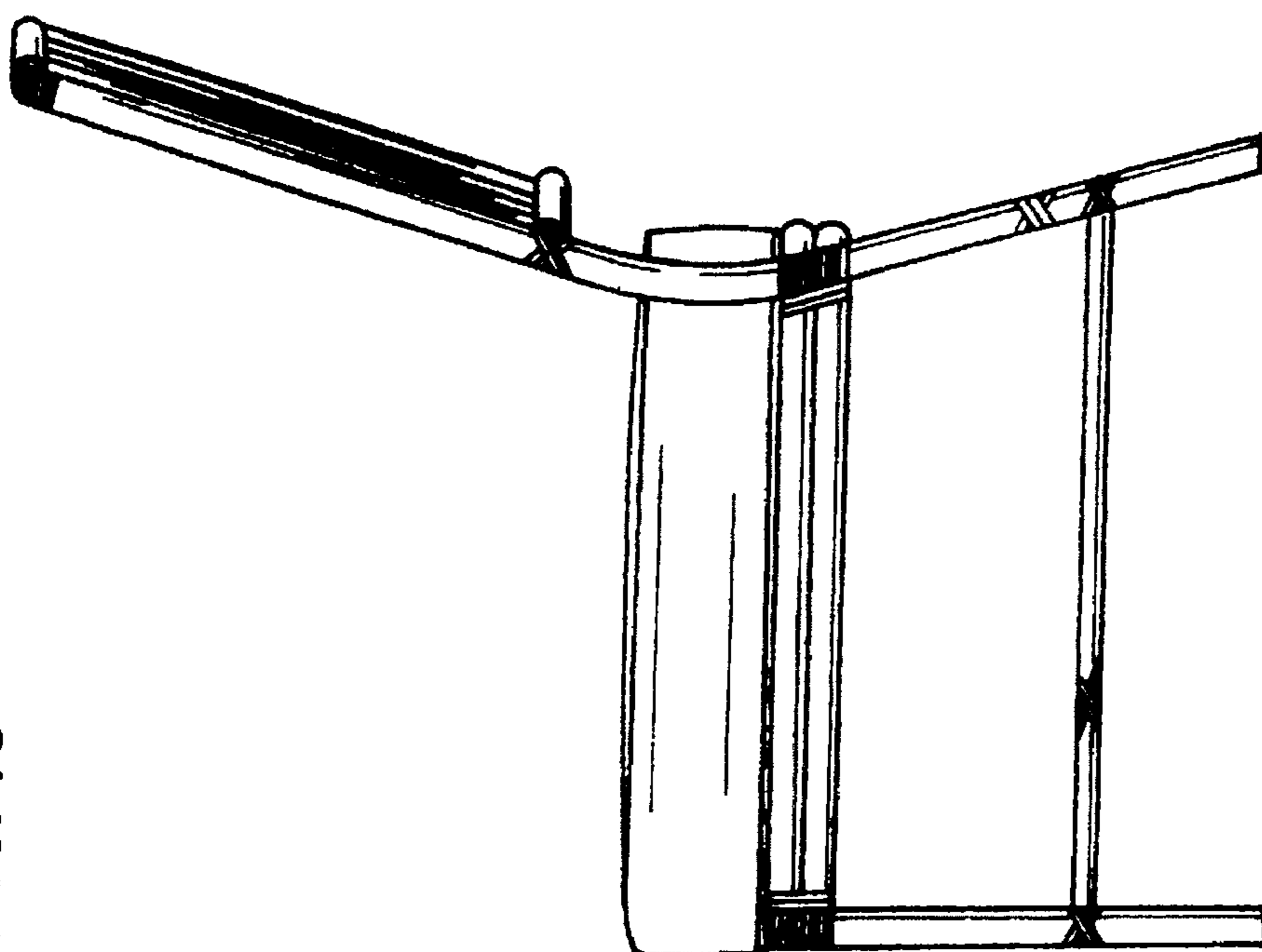


FIG. 9

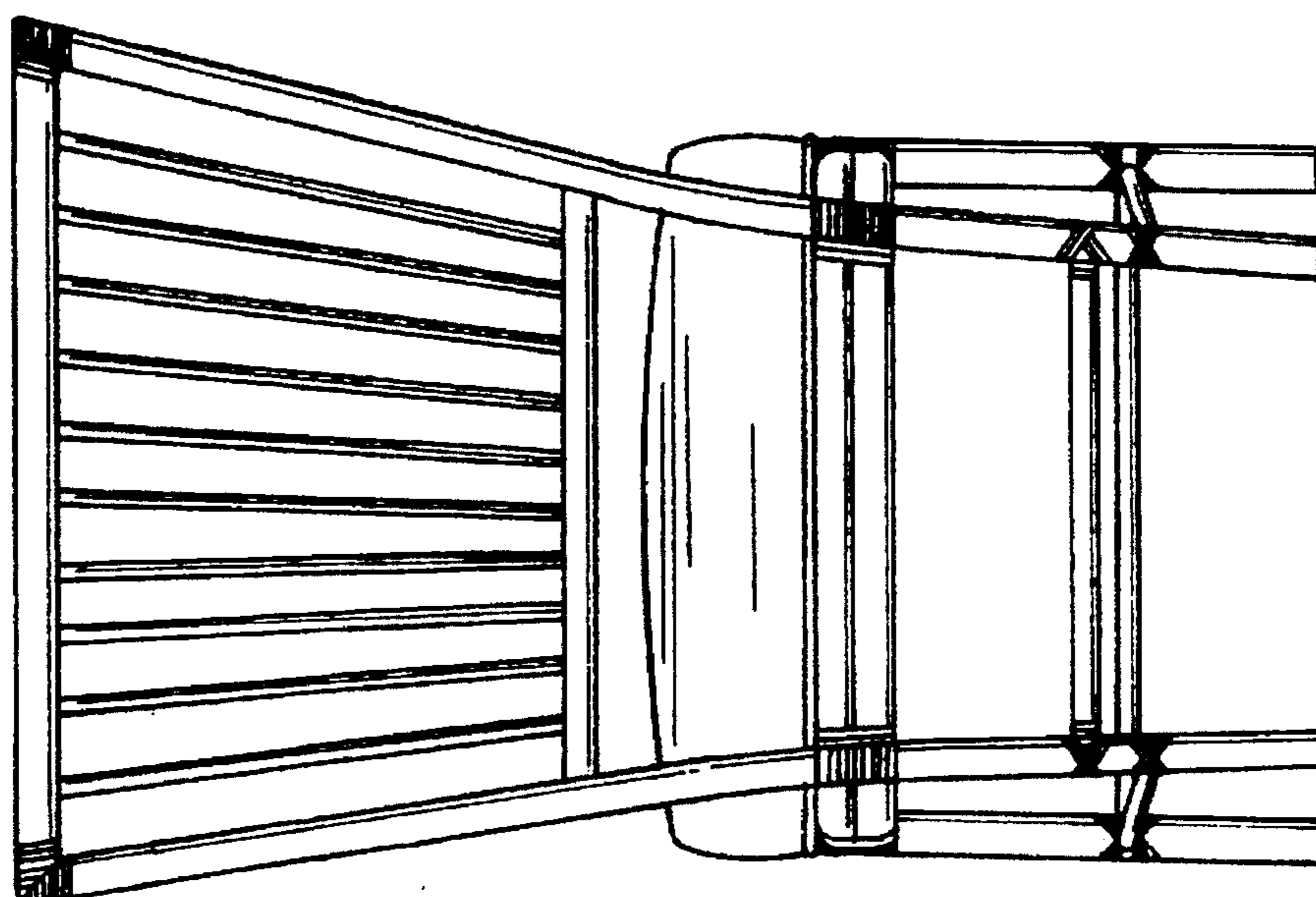


FIG. 12

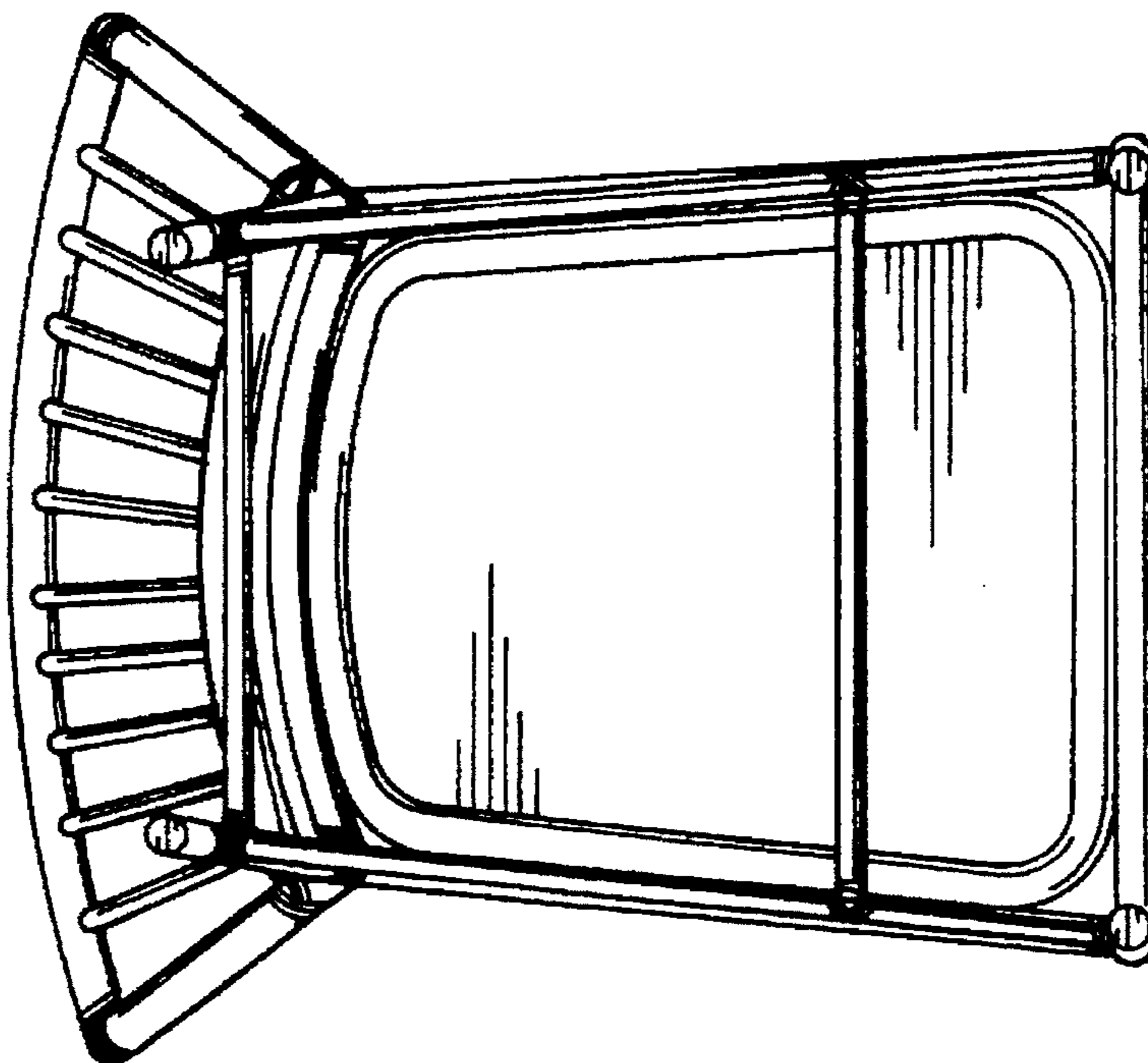


FIG. 11

