



US00D380310S

United States Patent [19]
Diaz-Azcuy

[11] **Patent Number: Des. 380,310**
[45] **Date of Patent: **Jul. 1, 1997**

[54] **CHAIR**

[75] Inventor: **Orlando Diaz-Azcuy**, San Francisco, Calif.

[73] Assignee: **McGuire Furniture Company Inc.**, San Francisco, Calif.

[**] Term: **14 Years**

[21] Appl. No.: **51,437**

[22] Filed: **Mar. 11, 1996**

[51] **LOC (6) Cl.** **06-01**

[52] **U.S. Cl.** **D6/369; D6/379; D6/380**

[58] **Field of Search** **D6/334, 369, 374, D6/376, 379, 380, 500, 501, 502; 297/446.1**

[56] **References Cited**

U.S. PATENT DOCUMENTS

D. 80,085	12/1929	Nevin	D6/369
D. 94,778	3/1935	Raventos	D6/380
D. 228,989	11/1973	Furey	D6/380
D. 259,841	7/1981	Mioni	D6/380
D. 289,469	4/1987	Tonon	D6/379
D. 332,531	1/1993	Guion	D6/379
D. 350,443	9/1994	Lowsky	D6/369
D. 364,751	12/1995	Keller	D6/379
D. 367,370	2/1996	Berry, Jr. et al.	D6/374
D. 367,984	3/1996	Barile	D6/502

OTHER PUBLICATIONS

The Antique Directory of Furniture, (Judith & Martin Miller, eds., 1985), p. 206, picture E3.

The Antique Directory of Furniture, (Judith & Martin Miller, eds., 1985), p. 223, picture E5-E9.

McGuire Catalog dated 1985, 1987, 1992, p. 25 for Models M-91, and M-90 chairs.

McGuire Catalog dated 1985, 1987, 1992, p. 32 for Models M-91, M-90 chairs.

McGuire Bamboo Tables Brochure, dated 1990, p. 6 showing Model M-91/SL chair.

McGuire Fellowship of Excellence Brochure for 1992.

Bloomingdales, p. 15, chair in frame "H" at top center.

Brown Jordan, ©1986, p. 22, chair at top right.

Primary Examiner—Gary D. Watson

Attorney, Agent, or Firm—Merchant, Gould, Smith, Edell, Welter & Schmidt P.A.

[57] **CLAIM**

The ornamental design for chair, as shown and described.

DESCRIPTION

FIG. 1 is a perspective view taken from the top, front and right side of a chair embodying my new design;

FIG. 2 is a front elevational view thereof;

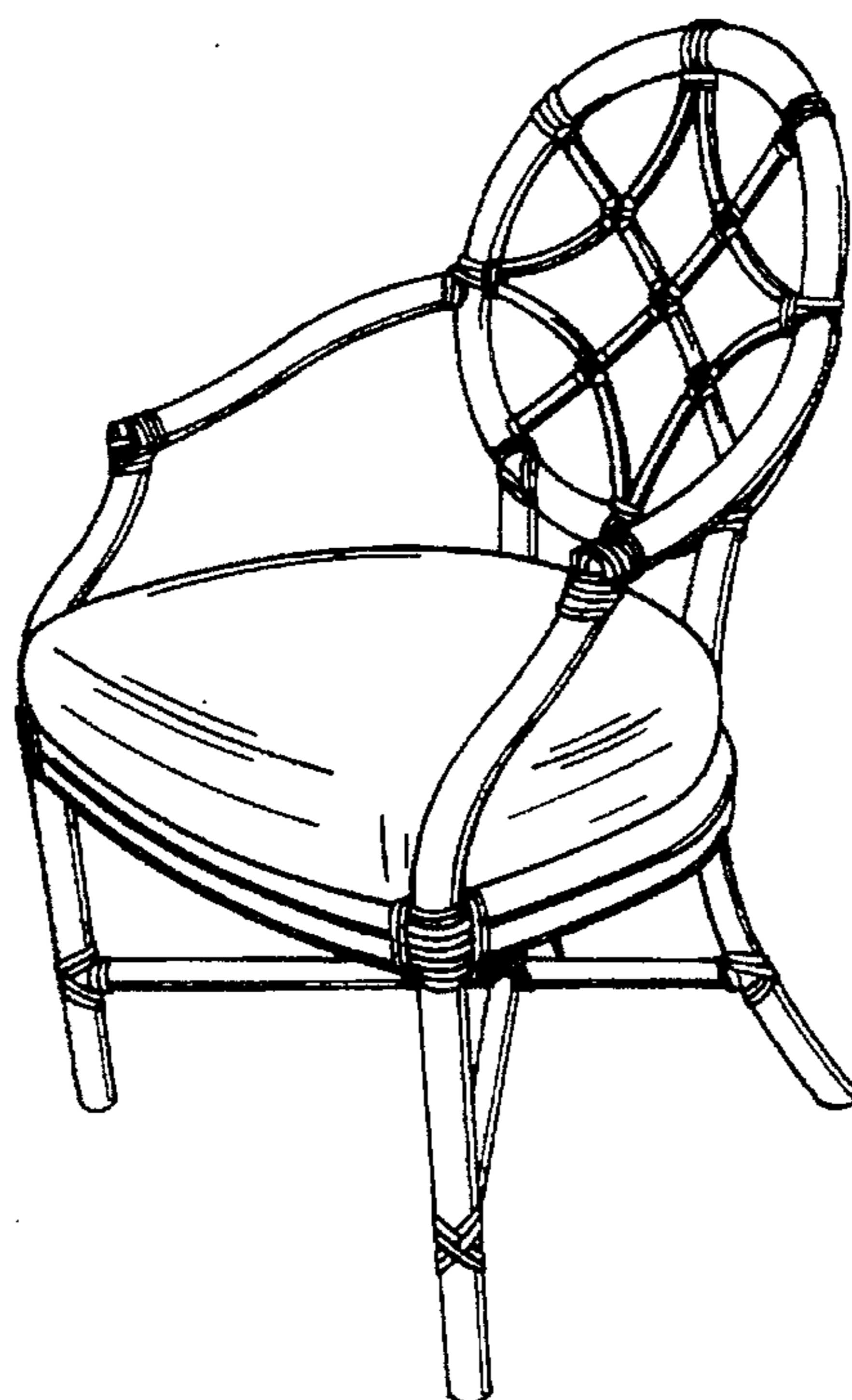
FIG. 3 is a rear elevational view thereof;

FIG. 4 is a right side elevational view thereof, the left side elevational view being the mirror image of the right side shown;

FIG. 5 is a top plan view thereof; and,

FIG. 6 is a bottom plan view thereof.

1 Claim, 3 Drawing Sheets



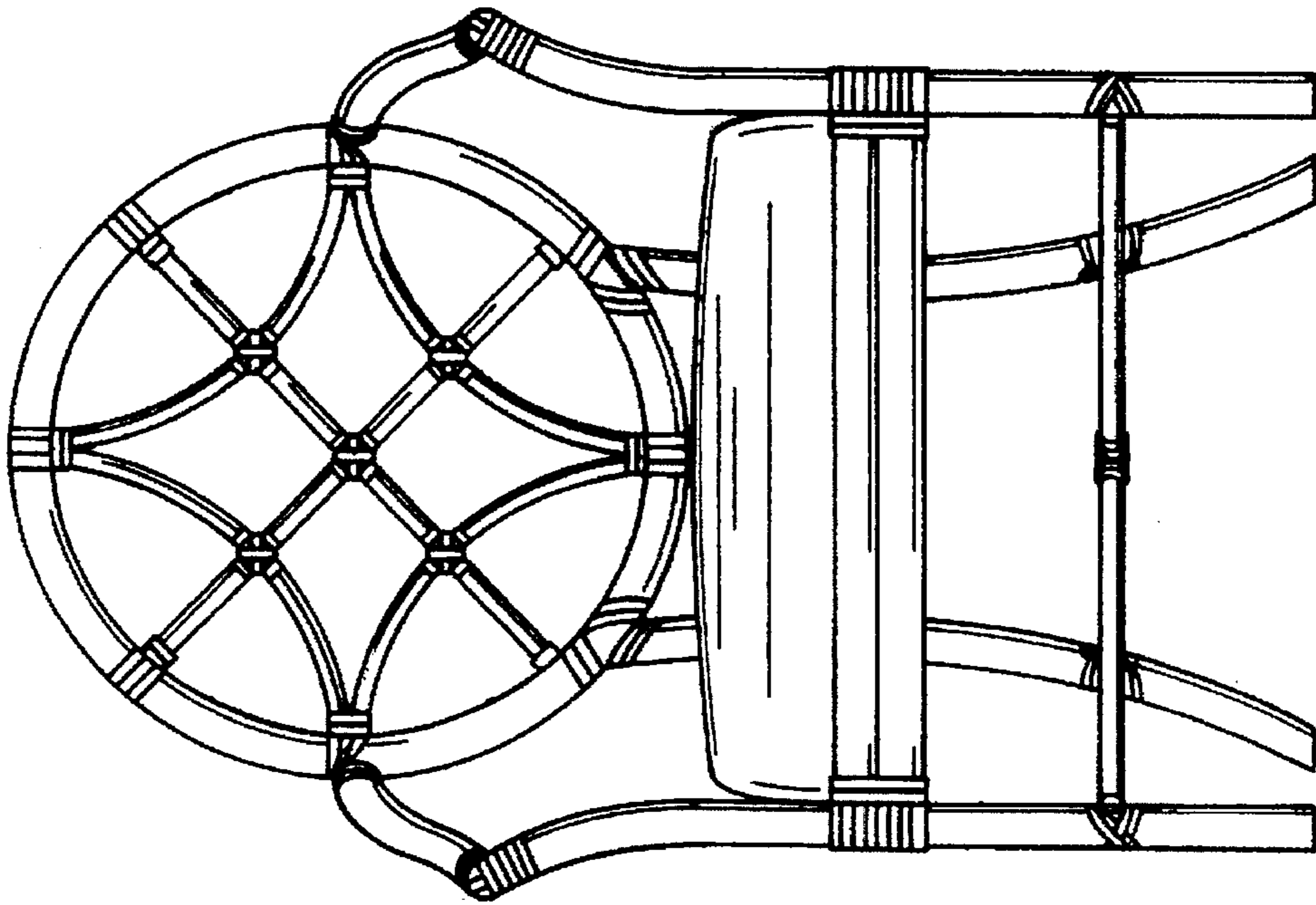


FIG. 2

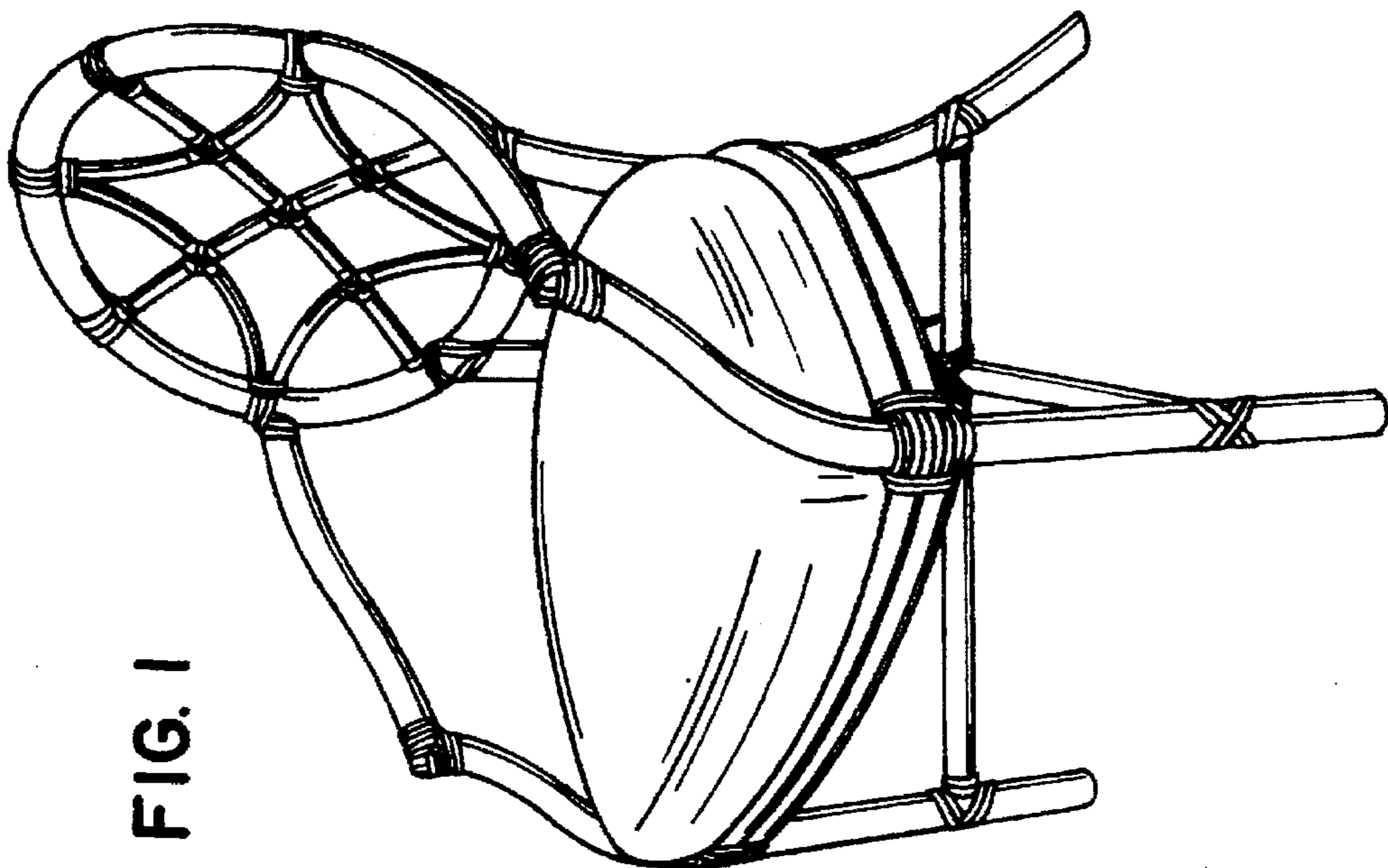


FIG. 1

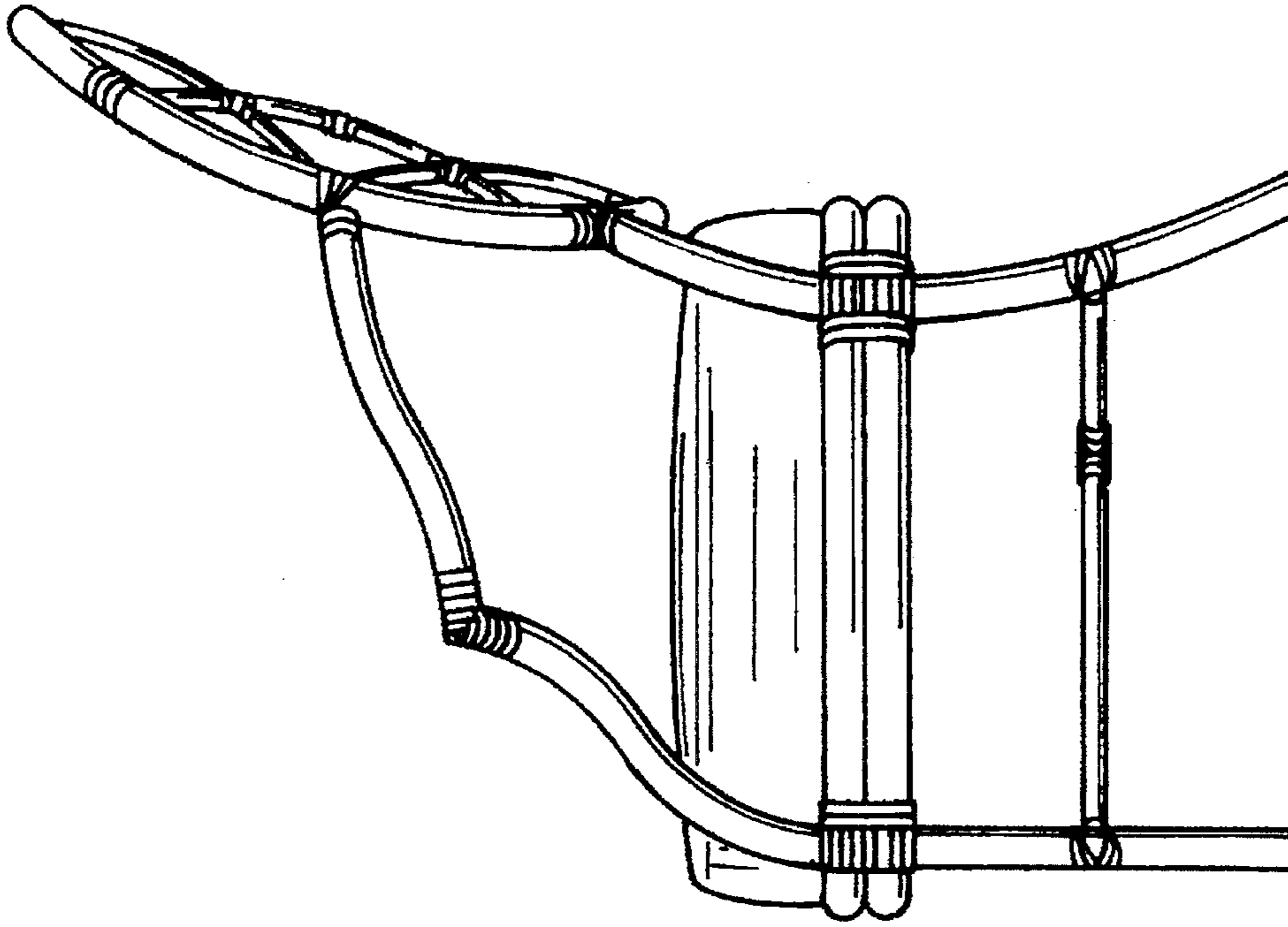


FIG. 4

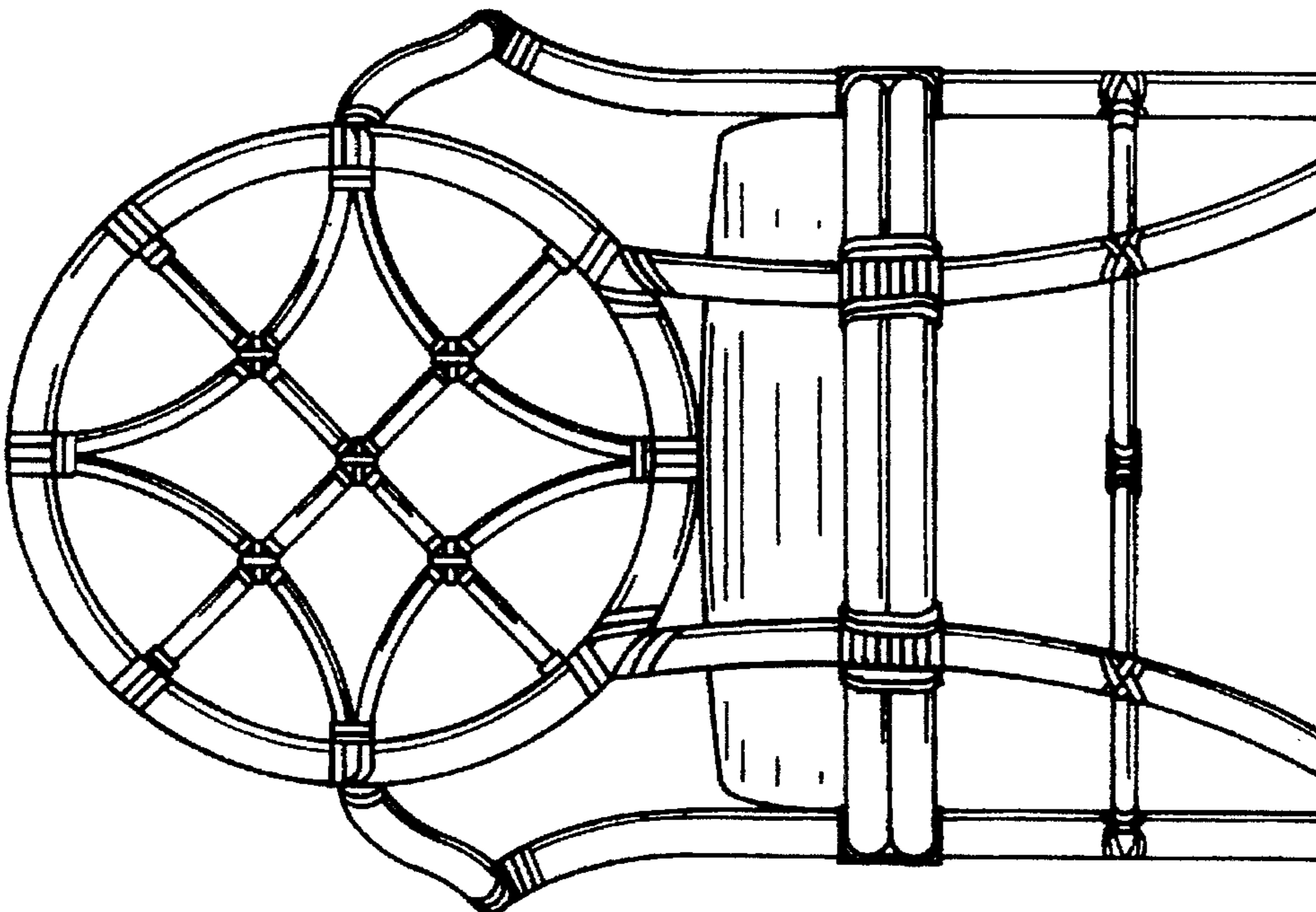


FIG. 3

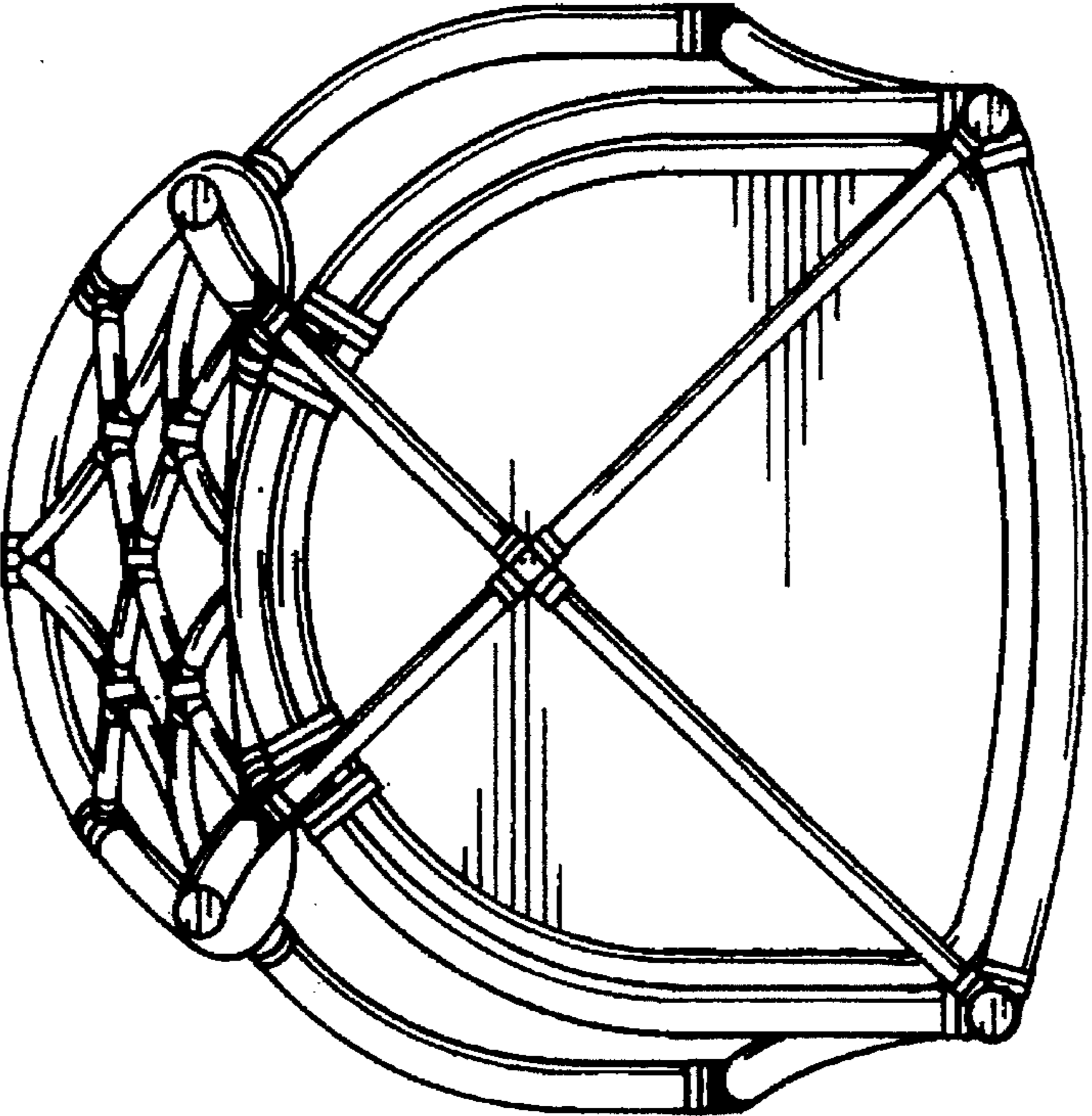


FIG. 5

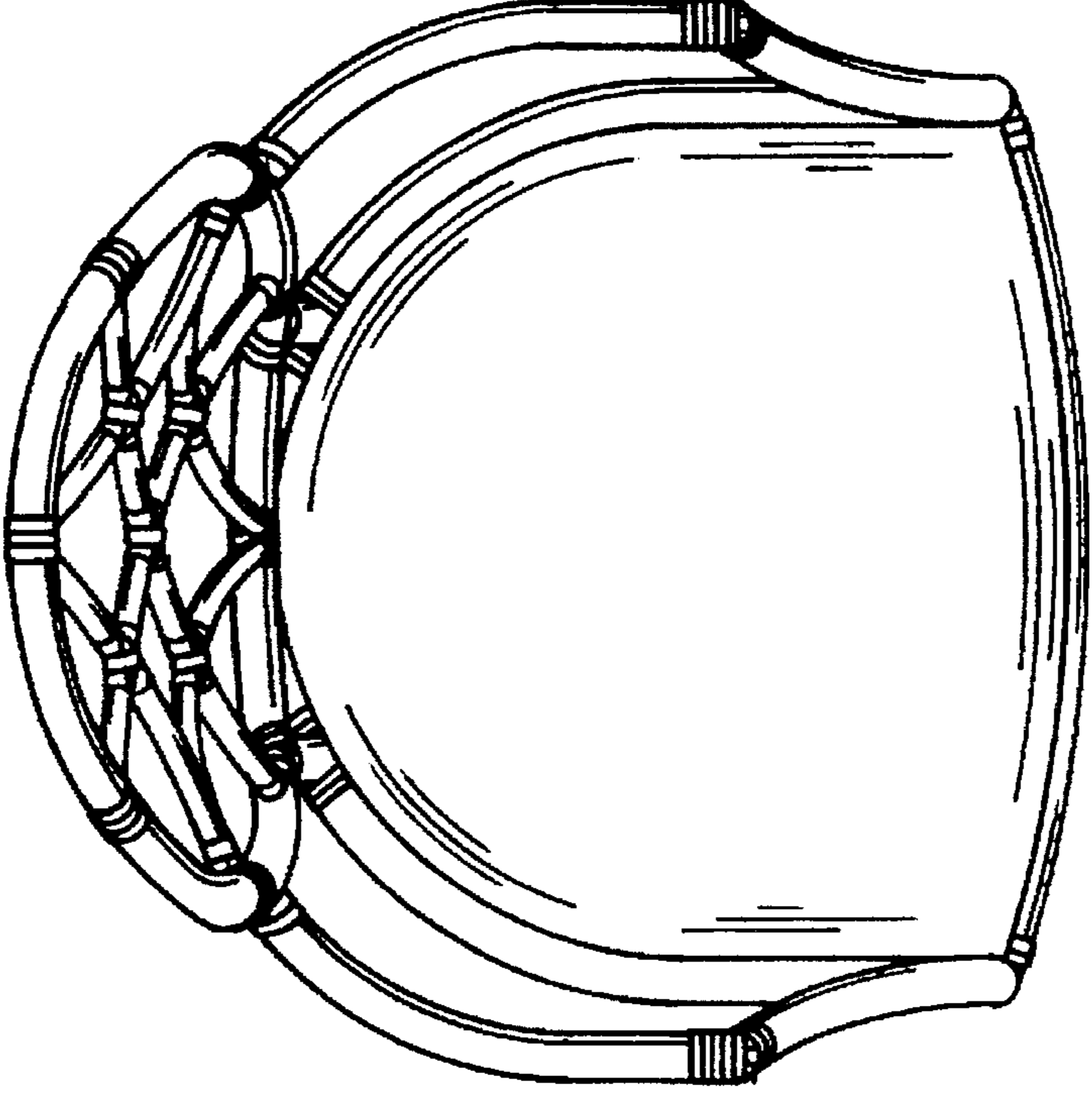


FIG. 6