



US00D380309S

United States Patent [19]

Diaz-Azcuy

[11] Patent Number: **Des. 380,309**

[45] Date of Patent: ****Jul. 1, 1997**

[54] **CHAIR**

[75] Inventor: **Orlando Diaz-Azcuy**, San Francisco, Calif.

[73] Assignee: **McGuire Furniture Company Inc.**, San Francisco, Calif.

[**] Term: **14 Years**

[21] Appl. No.: **51,425**

[22] Filed: **Mar. 11, 1996**

[51] LOC (6) Cl. **06-01**

[52] U.S. Cl. **D6/369; D6/379**

[58] Field of Search D6/334, 369, 370, D6/374, 375, 376, 379, 380, 500, 501, 520; 297/446.1

[56] References Cited

U.S. PATENT DOCUMENTS

D. 198,369	6/1964	Jakobsen et al.	D6/380
D. 290,070	6/1987	Lange	D6/380
D. 311,098	10/1990	Lee et al.	D6/380
D. 316,492	4/1991	Martin	D6/379
D. 341,038	11/1993	Danko	D6/375

OTHER PUBLICATIONS

McGuire Catalog dated 1985, 1987, 1992, p. 17 for Model M-21 Chair.

McGuire Catalog dated 1985, 1987, 1992, p. 26 for Model M-97 Chair.

McGuire Catalog dated 1985, 1987, 1992, p. 30 for Model M-177cB/SL Chair.

Lewittes, p. 28, Chair #1796 at left.

Calif-Asia/Hermosa Rattan, ©1976, p. 44, chair at bottom right of frame 3.

Primary Examiner—Gary D. Watson
Attorney, Agent, or Firm—Merchant, Gould, Smith, Edell, Welter & Schmidt, P.A.

[57] CLAIM

The ornamental design for chair, as shown and described.

DESCRIPTION

FIG. 1 is a perspective view taken from the top, front and right side of a chair embodying my new design;

FIG. 2 is a front elevational view thereof;

FIG. 3 is a rear elevational view thereof;

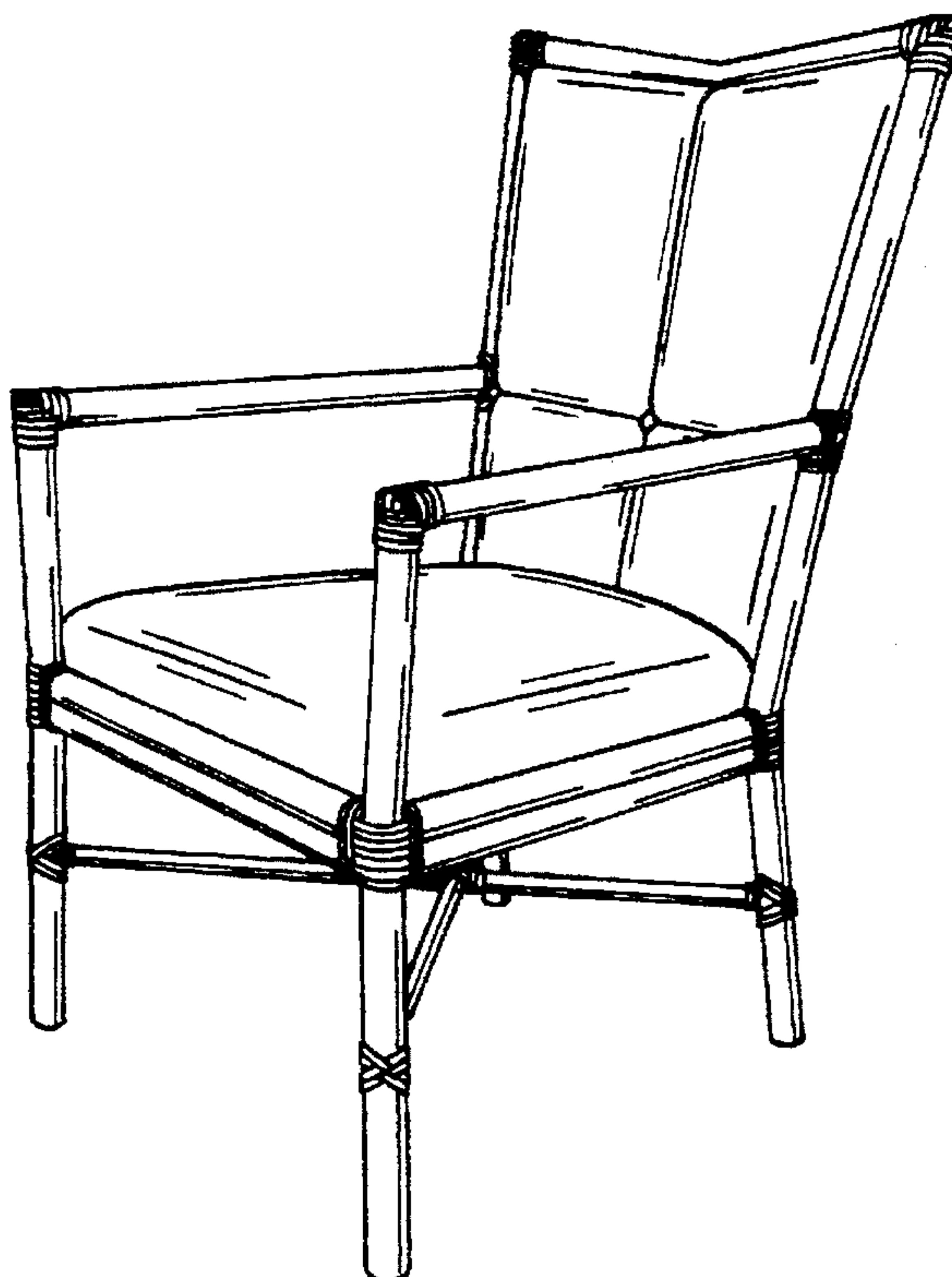
FIG. 4 is a right side elevational view thereof, the left side elevational view being the mirror image of the right side shown;

FIG. 5 is a top plan view thereof; and,

FIG. 6 is a bottom plan view thereof.

FIGS. 2 through 6 have been shown on an enlarged scale with respect to FIG. 1.

1 Claim, 3 Drawing Sheets



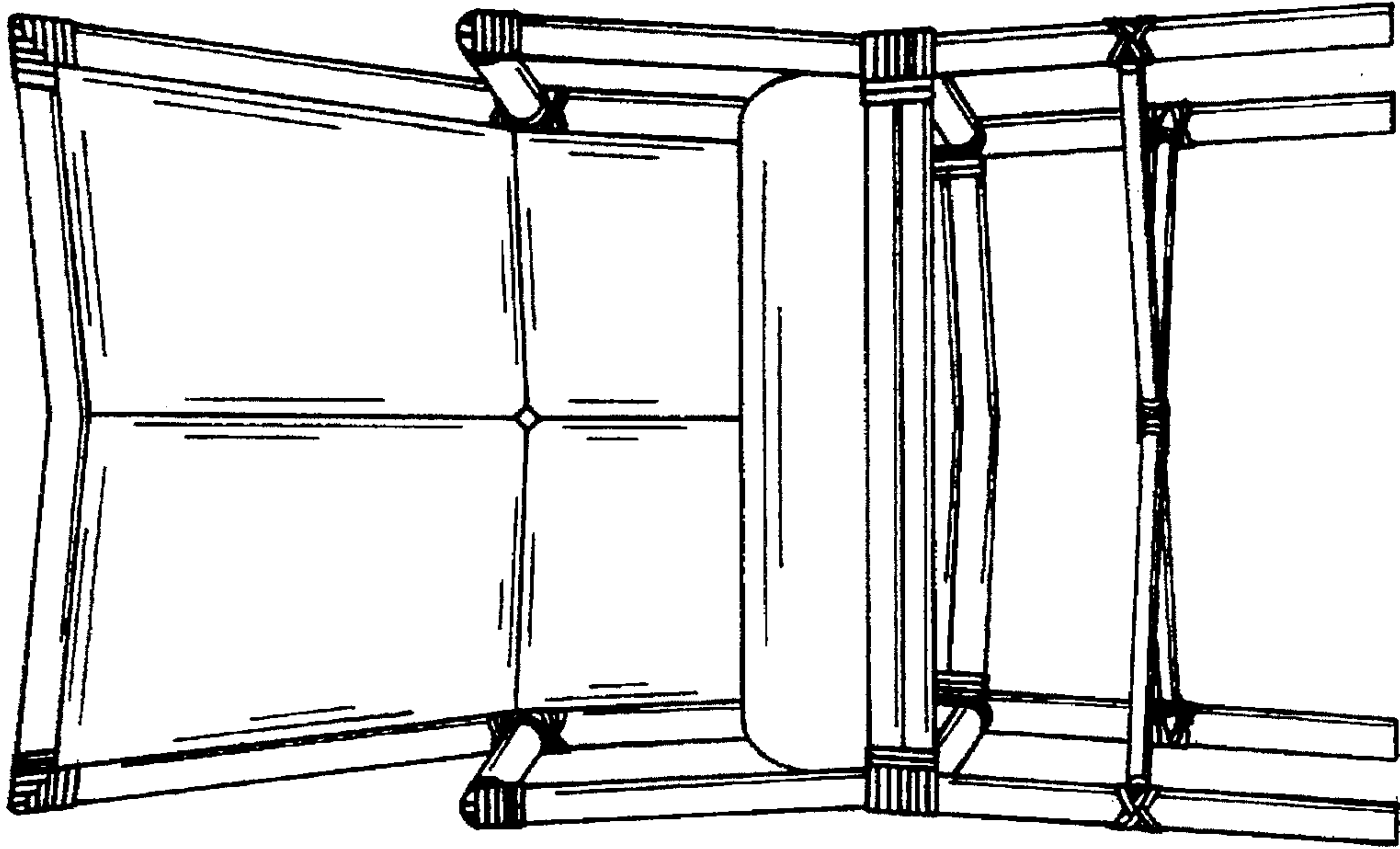


FIG. 2

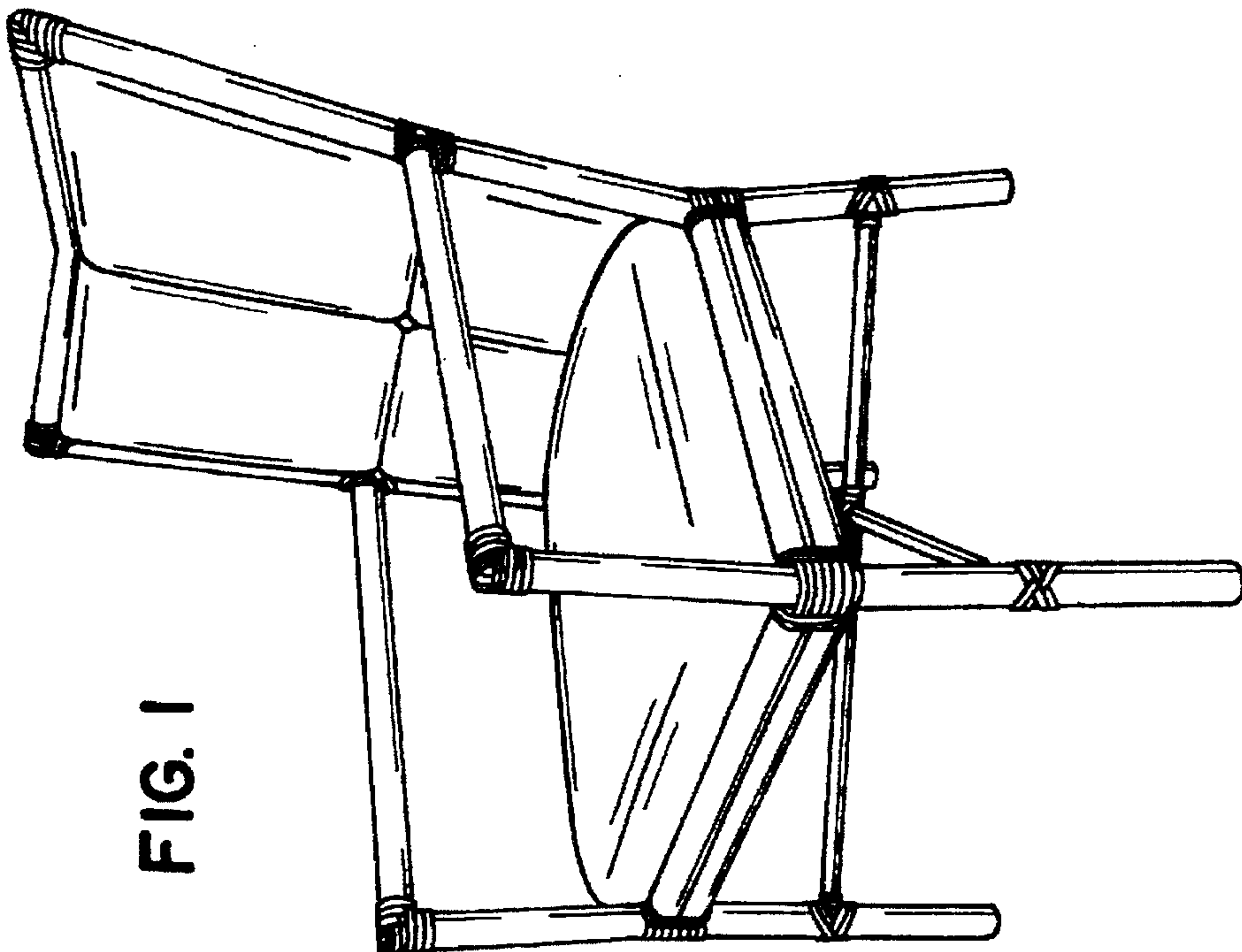


FIG. 1

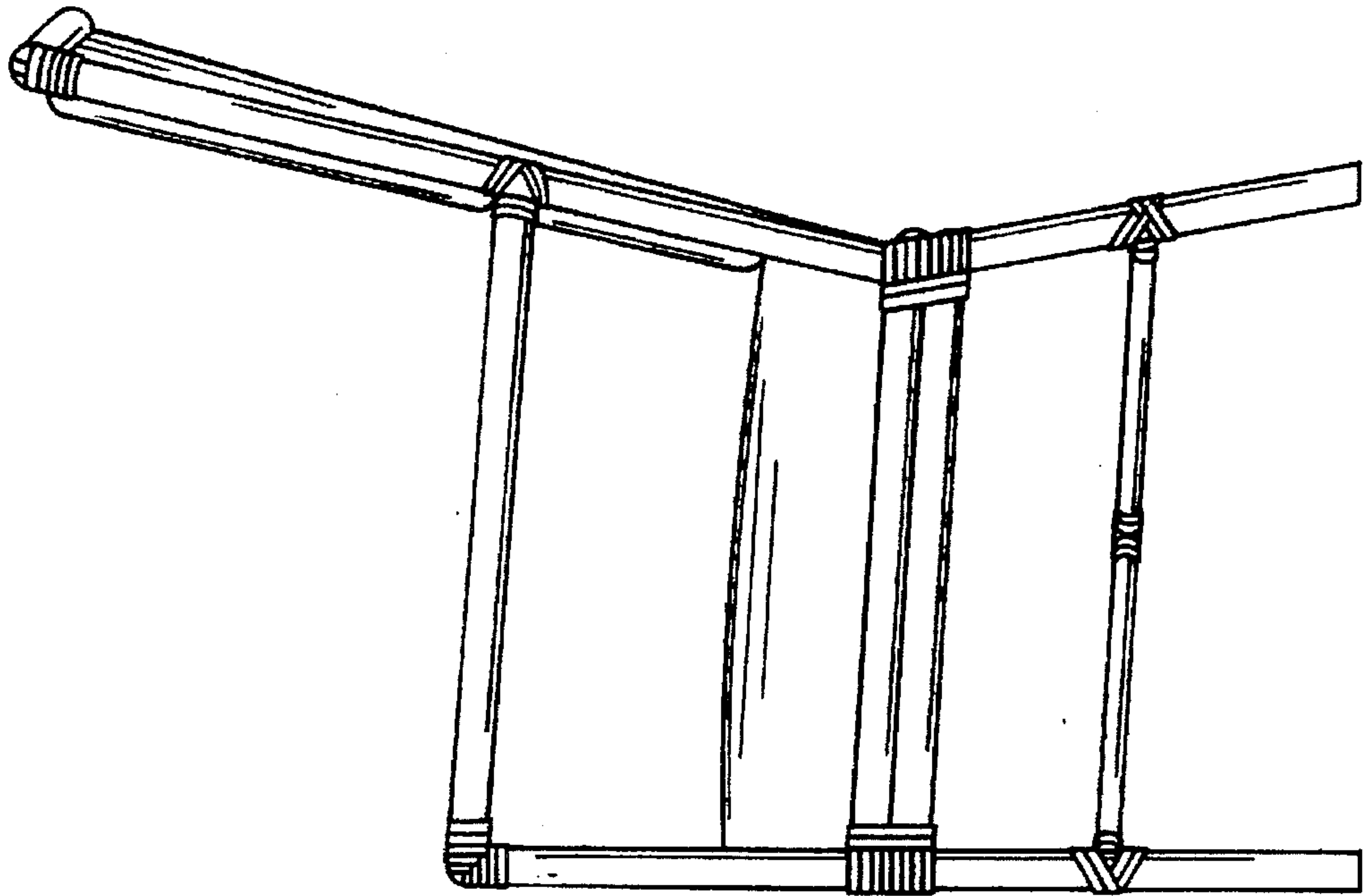


FIG. 4

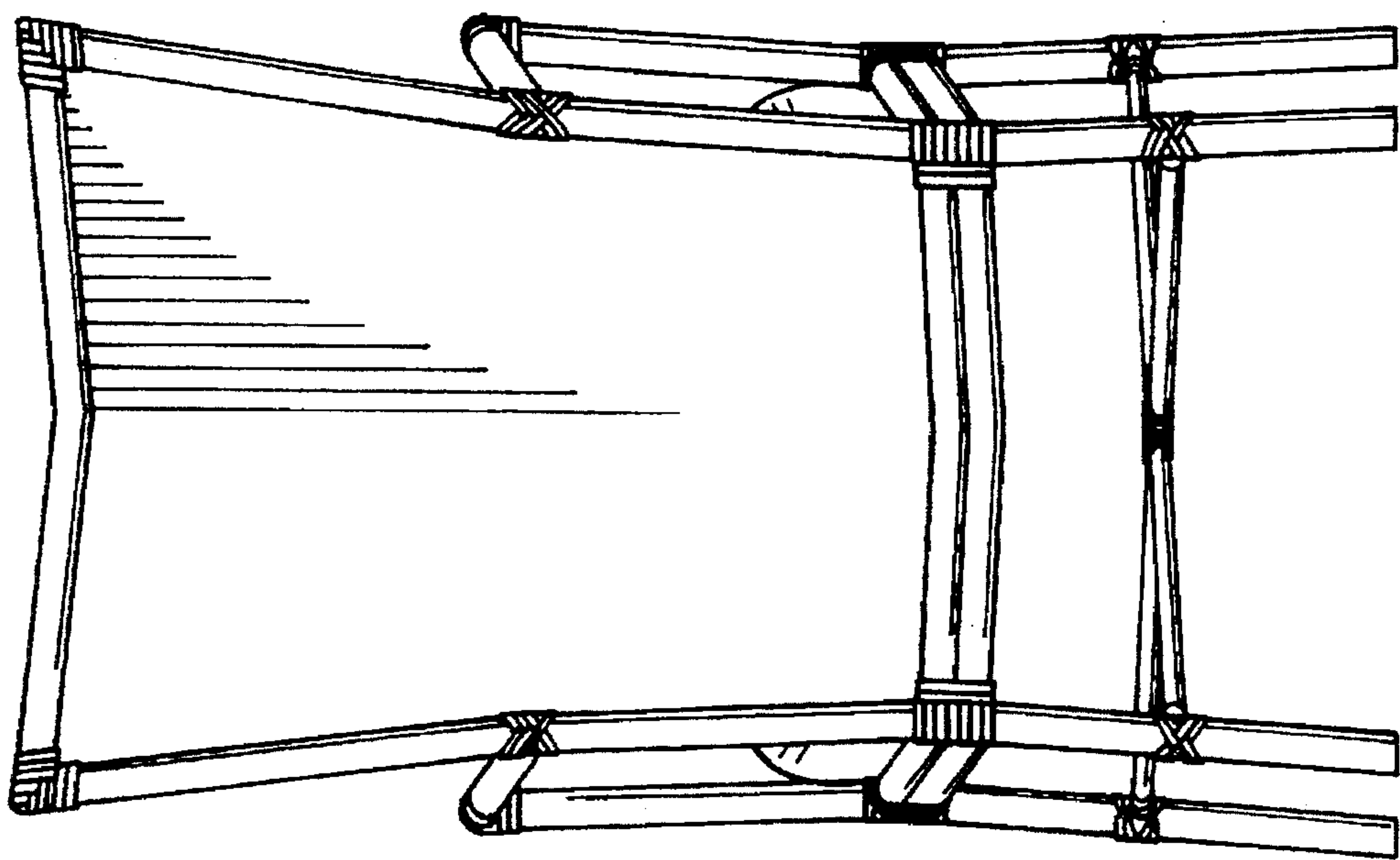


FIG. 3

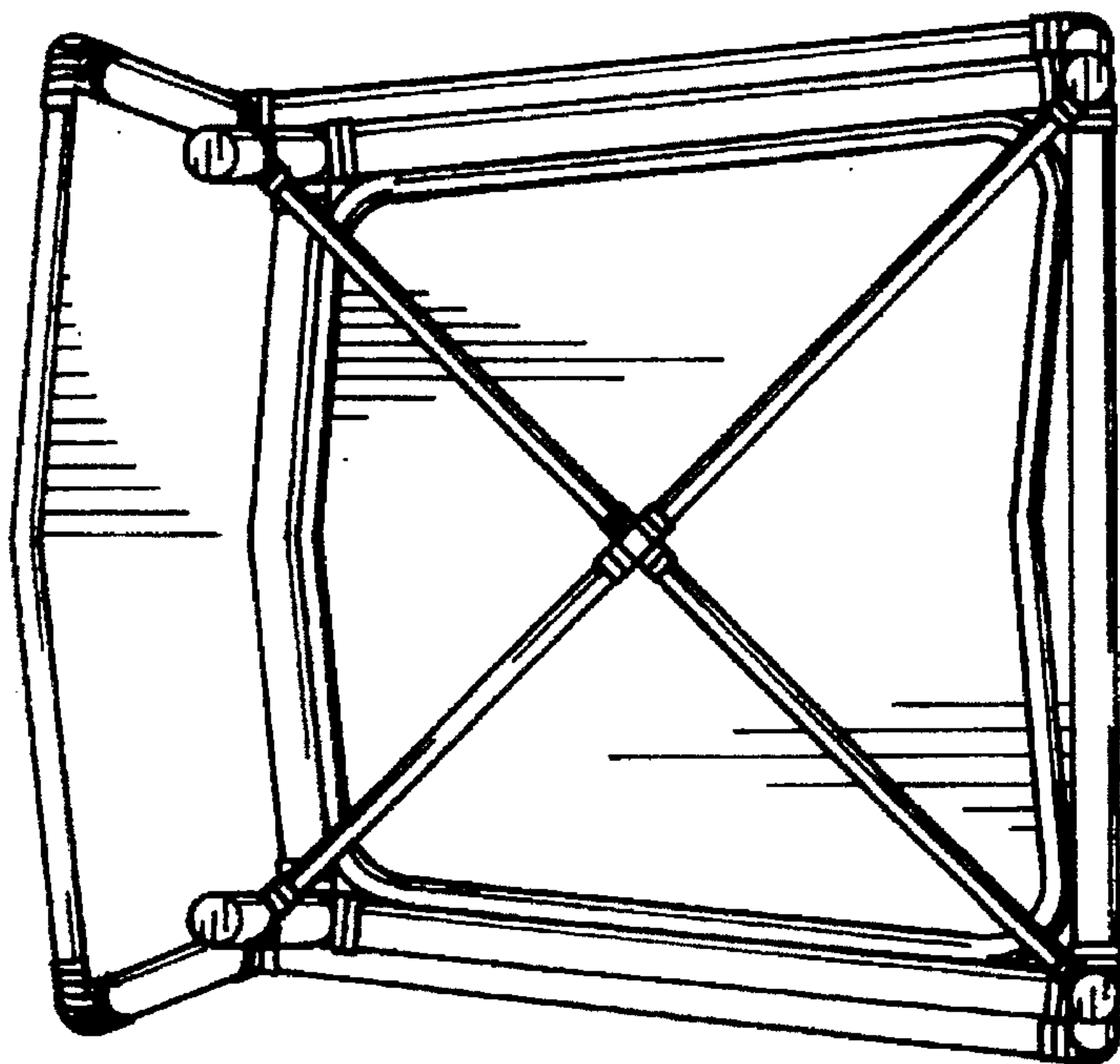


FIG. 6

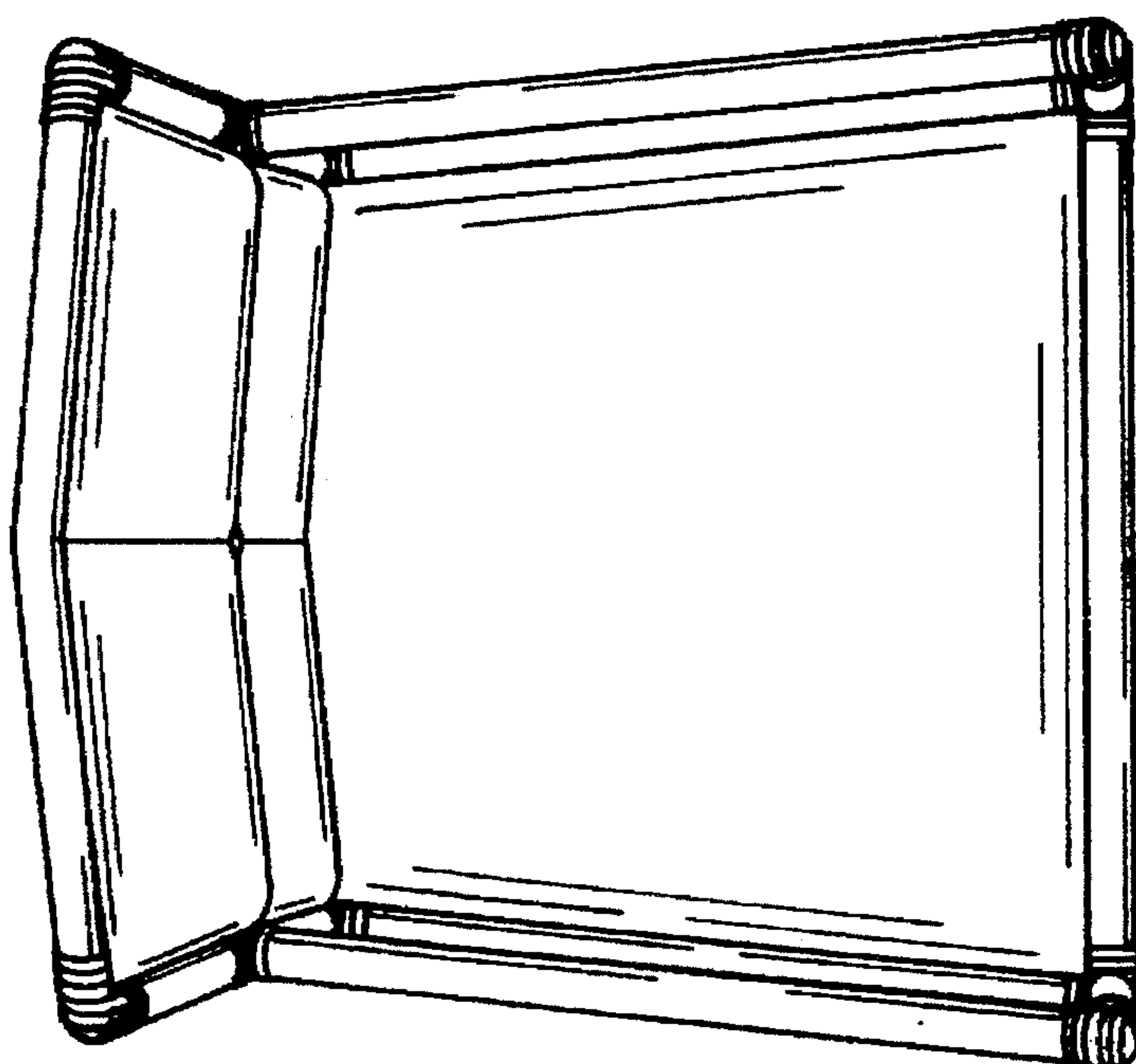


FIG. 5