



US00D380308S

# United States Patent [19]

Diaz-Azcuy

[11] Patent Number: **Des. 380,308**

[45] Date of Patent: **\*\*Jul. 1, 1997**

[54] **CHAIR**

[75] Inventor: **Orlando Diaz-Azcuy**, San Francisco, Calif.

[73] Assignee: **McGuire Furniture Company Inc.**, San Francisco, Calif.

[\*\*] Term: **14 Years**

[21] Appl. No.: **51,422**

[22] Filed: **Mar. 11, 1996**

[51] LOC (6) Cl. .... **06-01**

[52] U.S. Cl. .... **D6/369; D6/379; D6/380**

[58] Field of Search ..... D6/334, 349, 369, D6/374, 376, 379, 380, 500, 501, 502; 297/446.1

### [56] References Cited

#### U.S. PATENT DOCUMENTS

D. 34,619	6/1901	Morris	.....	D6/502
D. 80,085	12/1929	Nevin	.....	D6/369
D. 94,778	3/1935	Raventos	.....	D6/380
D. 228,989	11/1973	Furey	.....	D6/380
D. 259,841	7/1981	Mioni	.....	D6/380
D. 289,469	4/1987	Tonon	.....	D6/379
D. 316,492	4/1991	Martin	.....	D6/379
D. 367,984	3/1996	Barile	.....	D6/502

#### OTHER PUBLICATIONS

*The Antiques Directory of Furniture*, (Judith & Martin Miller, eds. 1985), p. 473, pictures C9, E6.

McGuire Catalog dated 1985, 1987, 1992, p. 7 for Model M-154c/SL chair.

McGuire Catalog dated 1985, 1987, 1992, p. 25 for Model M-191c, M-191cB chairs.

McGuire Catalog dated 1985, 1987, 1992, p. 29 for Models M-154c/SL, M-154cB/SL chairs.

McGuire Catalog dated 1985, 1987, 1992, p. 32 for Models M-191cB, M-191c chairs.

McGuire Palasan Collection advertisement dated 1993 showing Model NP-234/SL chairs.

McGuire Fellowship of Excellence brochure for 1992.

Interiors, Nov. 1960, p. 241, Stool at top right.

Bloomington's, p. 15, Chair at top center in frame "H".

Schöner Wohnen, Sep. 1988, p. 92, chair at bottom, second in from right.

*Primary Examiner*—Gary D. Watson

*Attorney, Agent, or Firm*—Merchant, Gould, Smith, Edell, Welter & Schmidt, P.A.

### [57] CLAIM

The ornamental design for chair, as shown and described.

### DESCRIPTION

FIG. 1 is a perspective view taken from the top, front and right side of a chair embodying my new design;

FIG. 2 is a front elevational view thereof;

FIG. 3 is a rear elevational view thereof;

FIG. 4 is a top plan view thereof;

FIG. 5 is a bottom plan view thereof;

FIG. 6 is a right side elevational view thereof, the left side elevational view being the mirror image of the right side shown;

FIG. 7 is a perspective view taken from the top, front and right side of a second embodiment of my new design;

FIG. 8 is a front elevational view thereof;

FIG. 9 is a rear elevational view thereof;

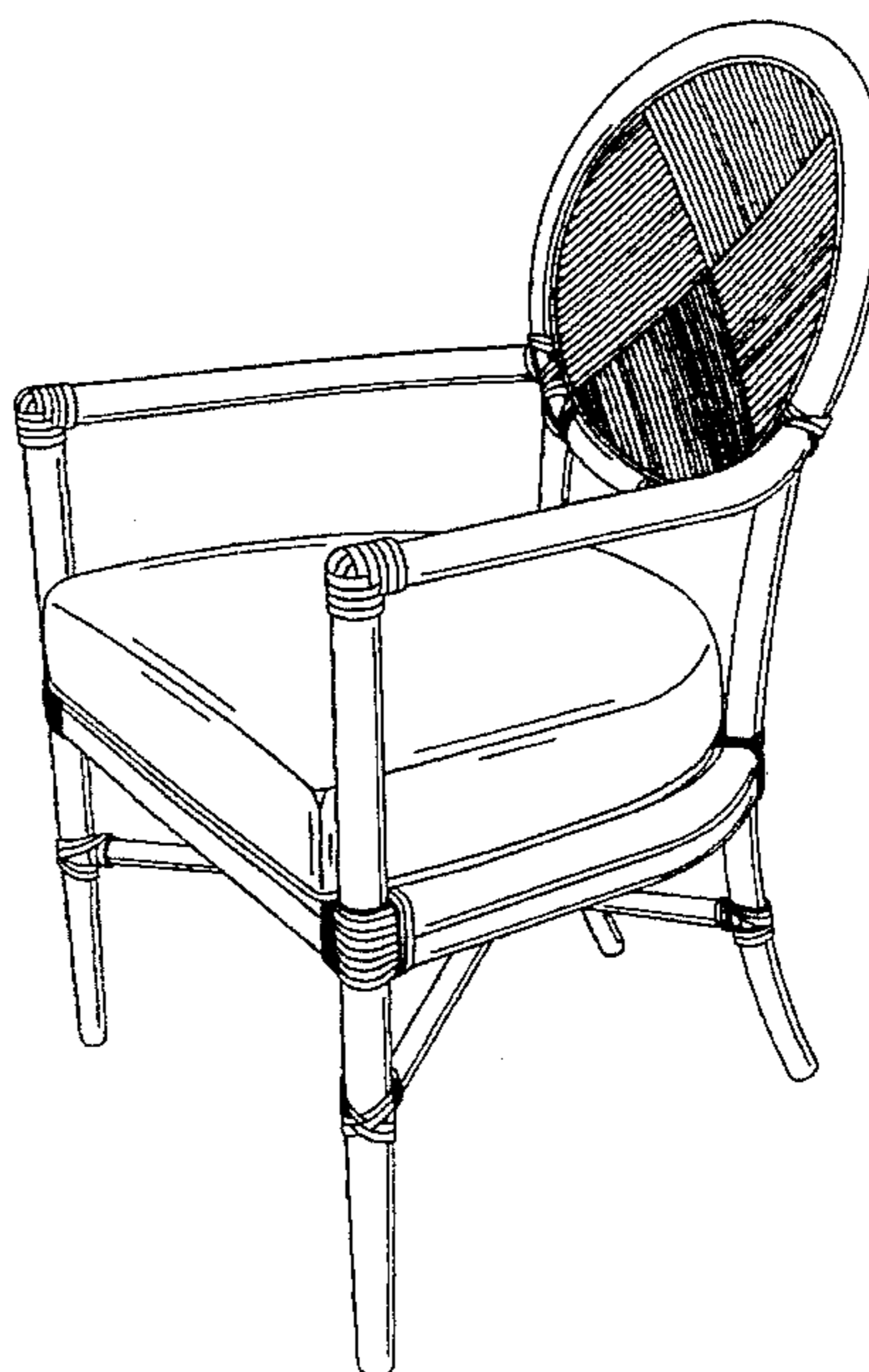
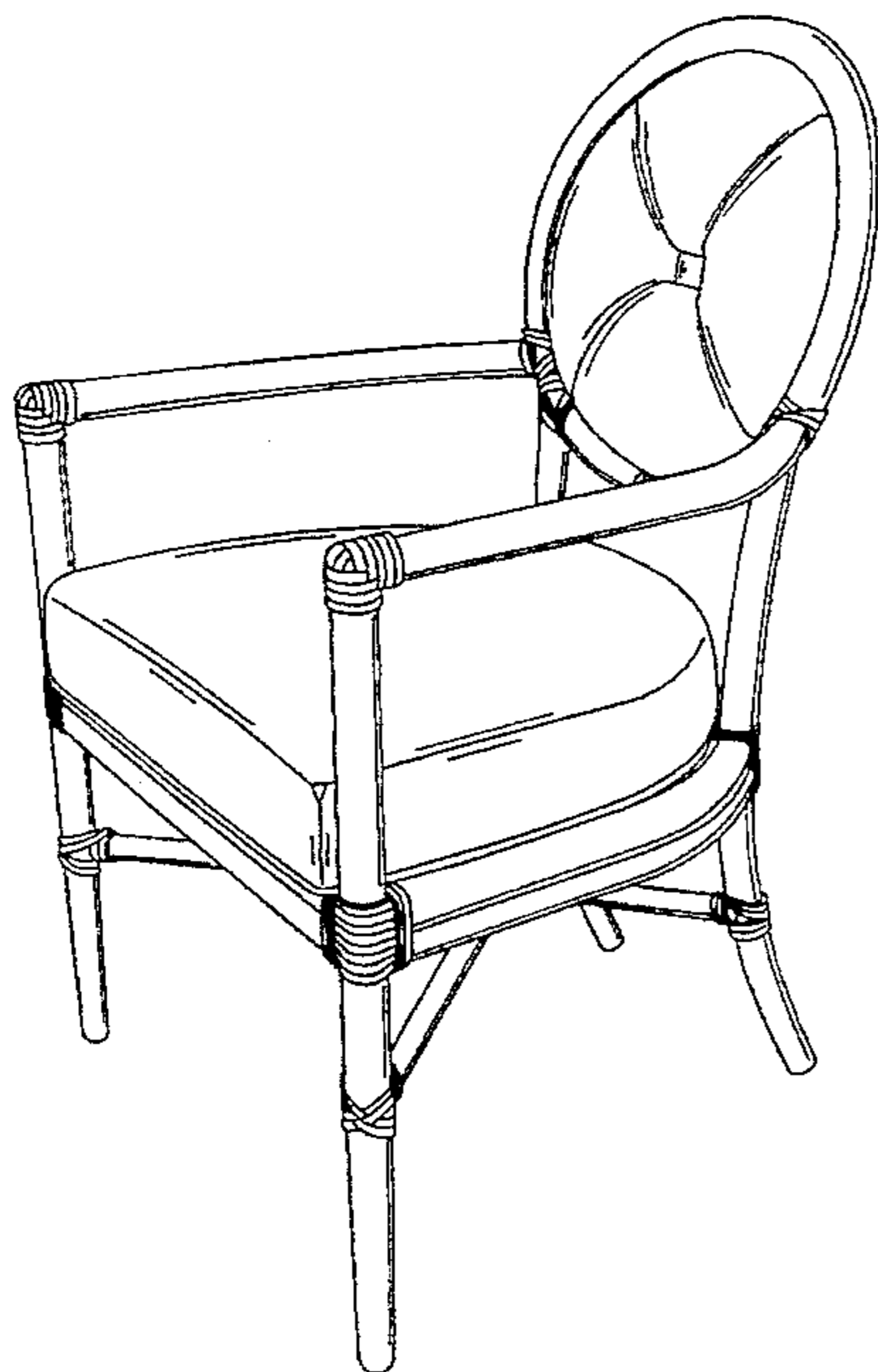
FIG. 10 is a top plan view thereof;

FIG. 11 is a bottom plan view thereof; and,

FIG. 12 is a right side elevational view thereof, the left side elevational view being the mirror image of the right side shown.

FIGS. 1 and 7 have been shown on an enlarged scale.

**1 Claim, 8 Drawing Sheets**



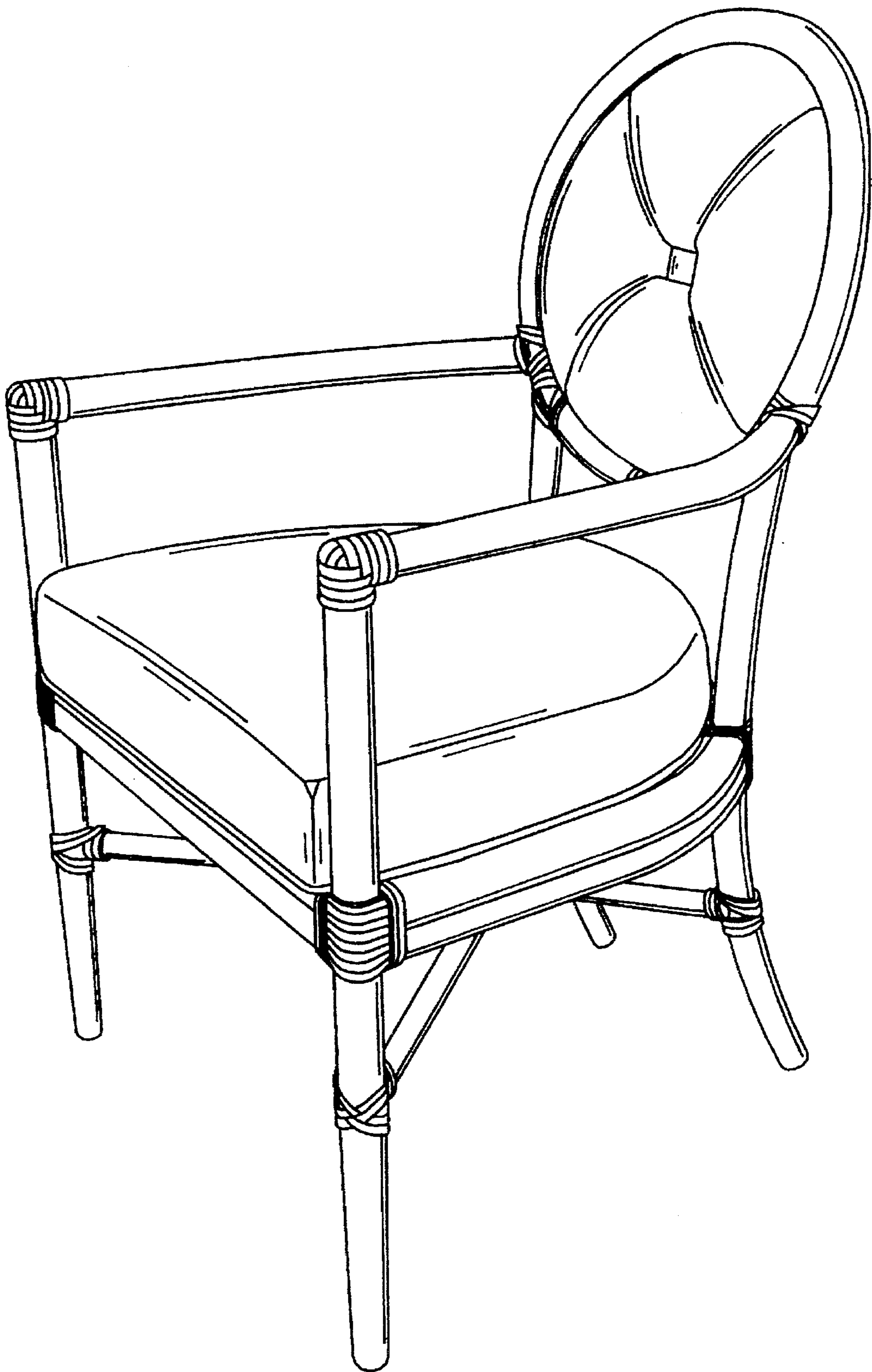


FIG. 1

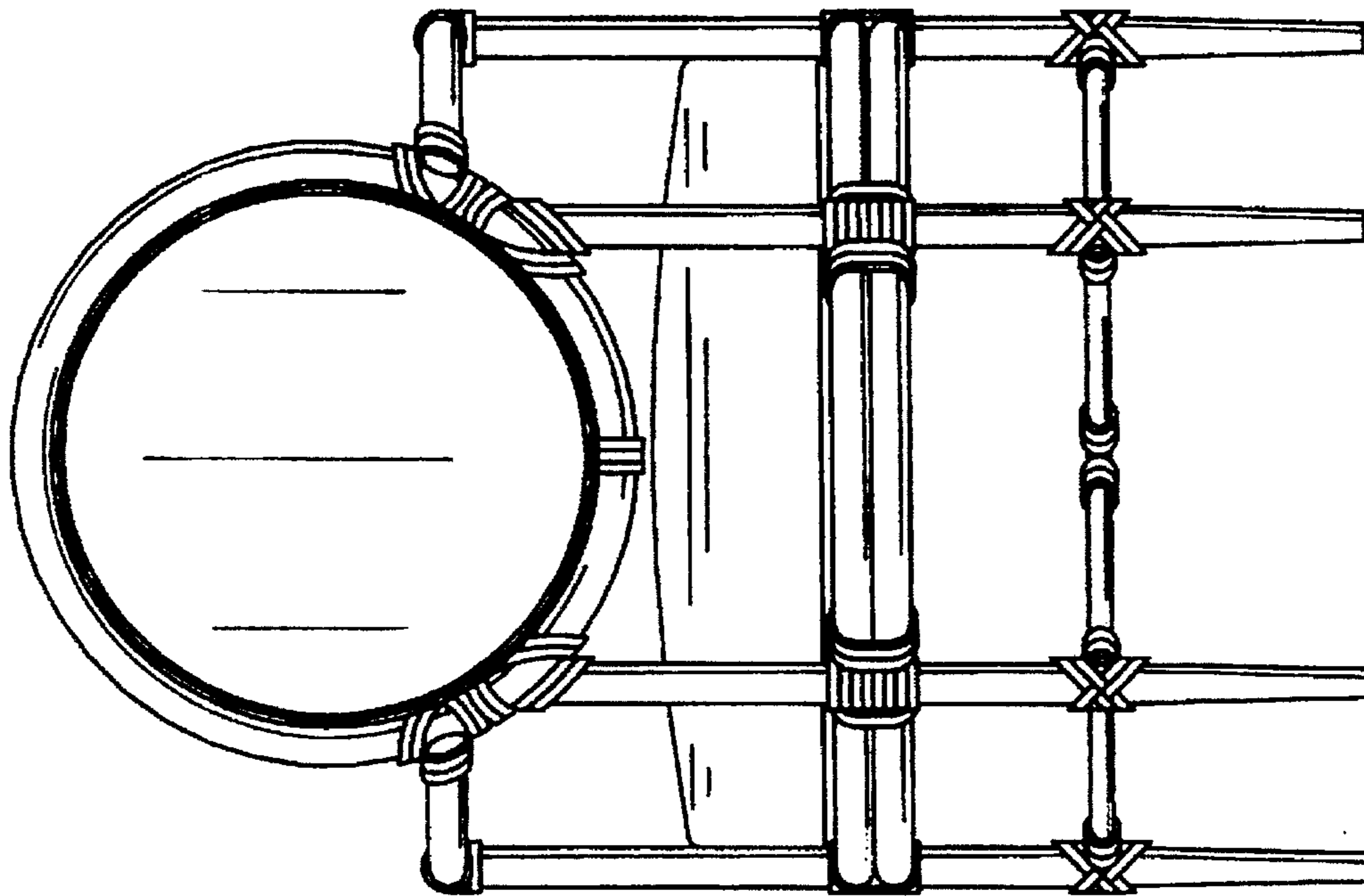


FIG. 3

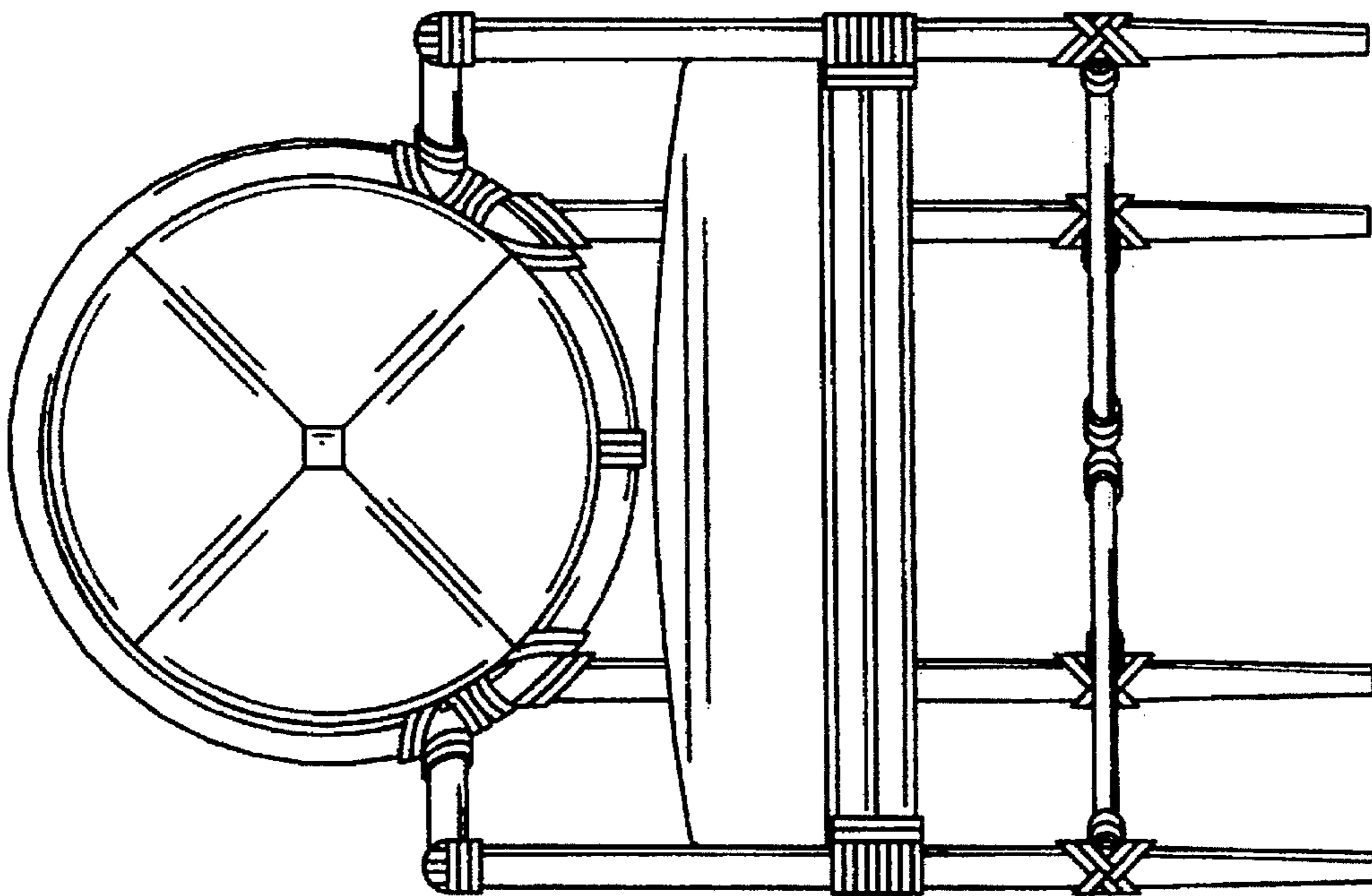


FIG. 2

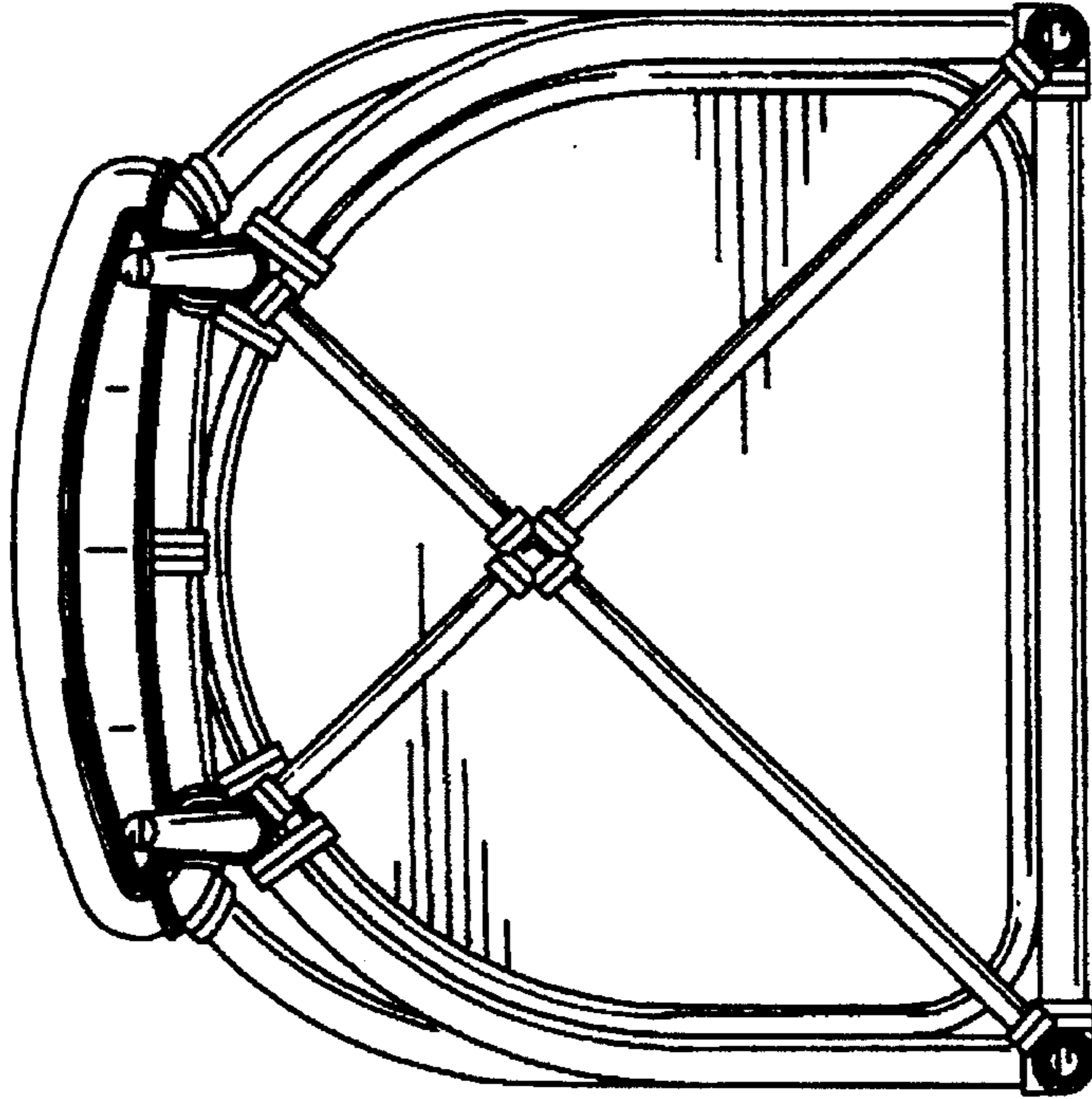


FIG. 5

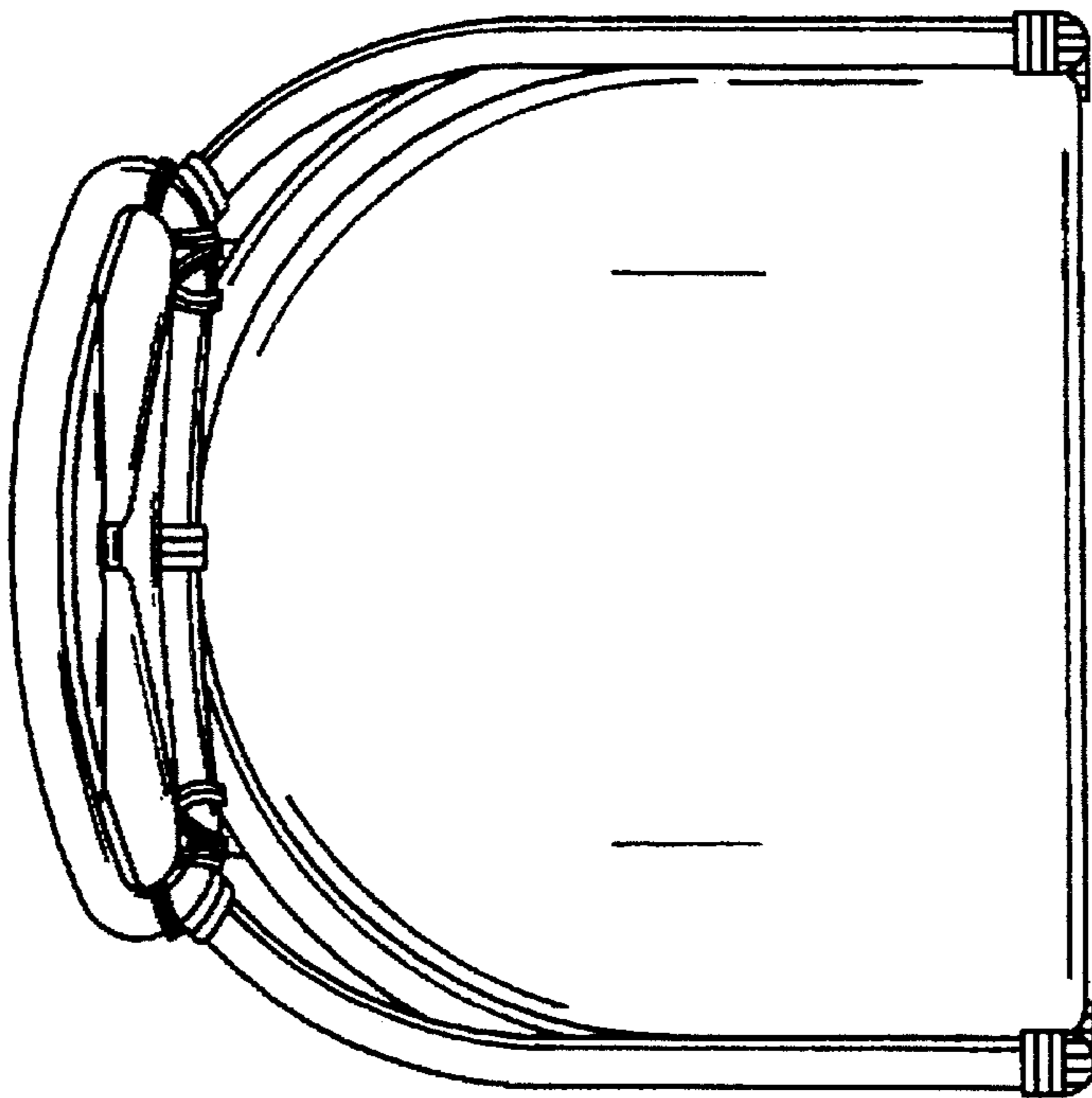


FIG. 4

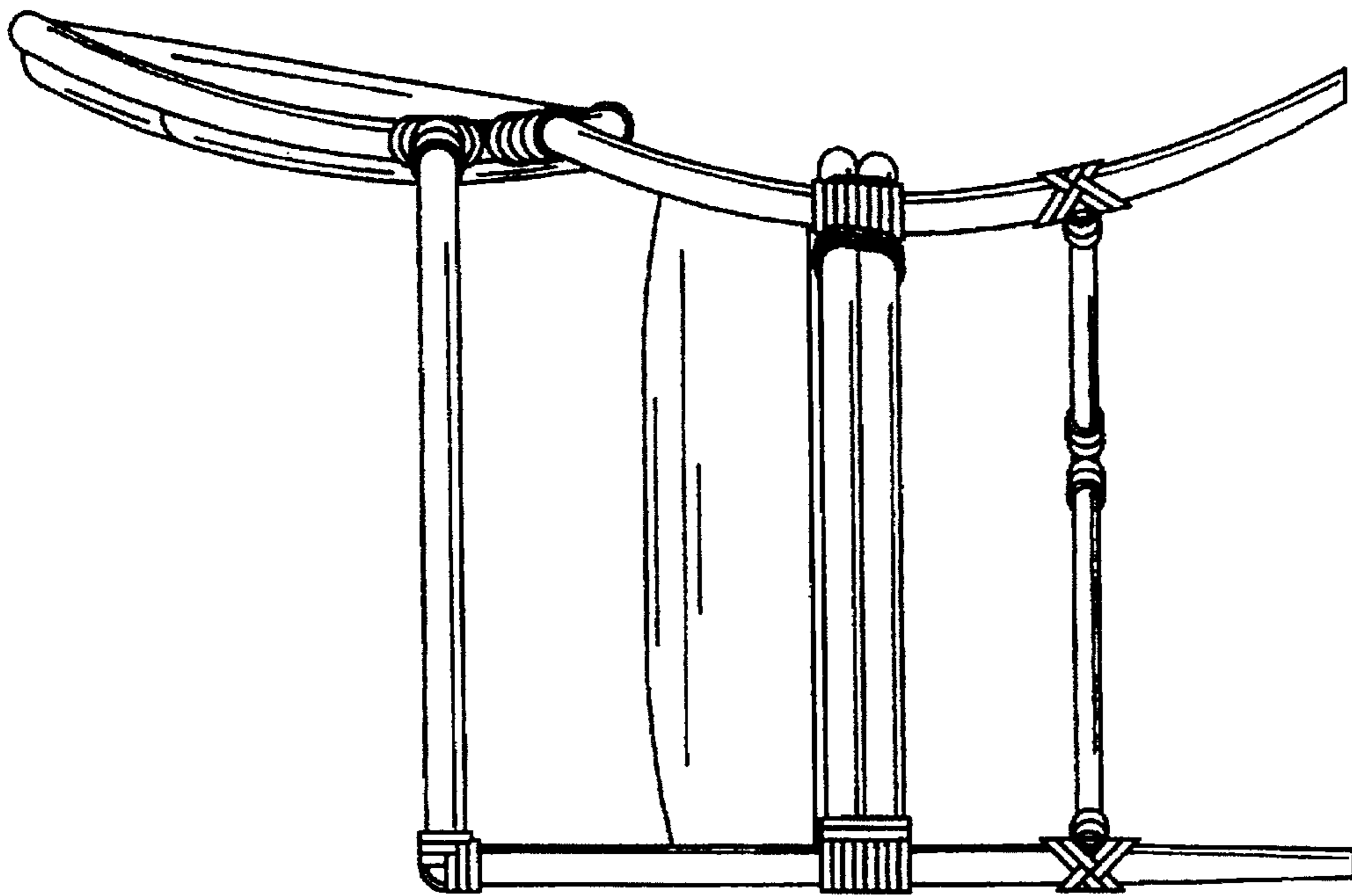


FIG. 6

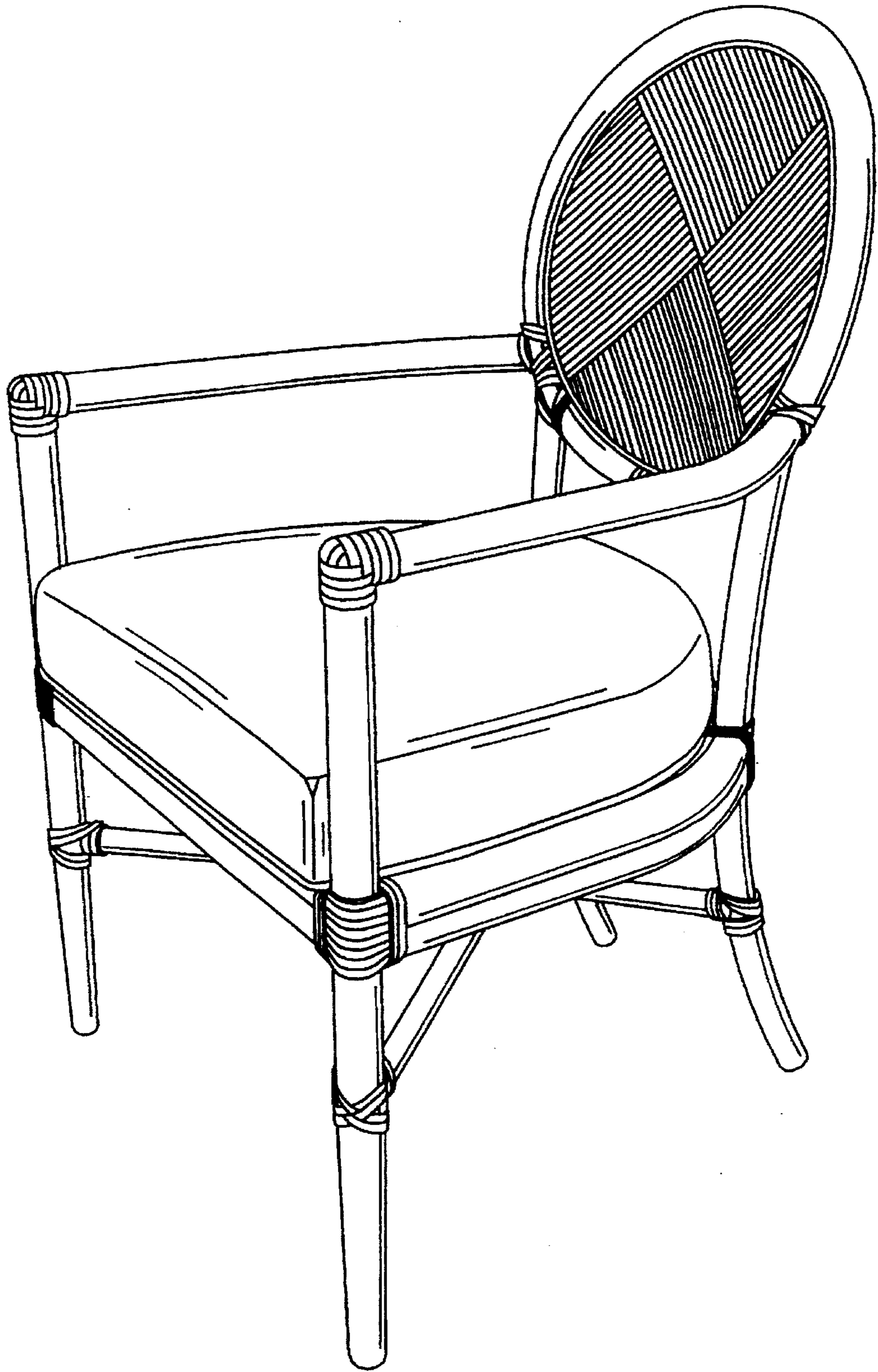


FIG. 7

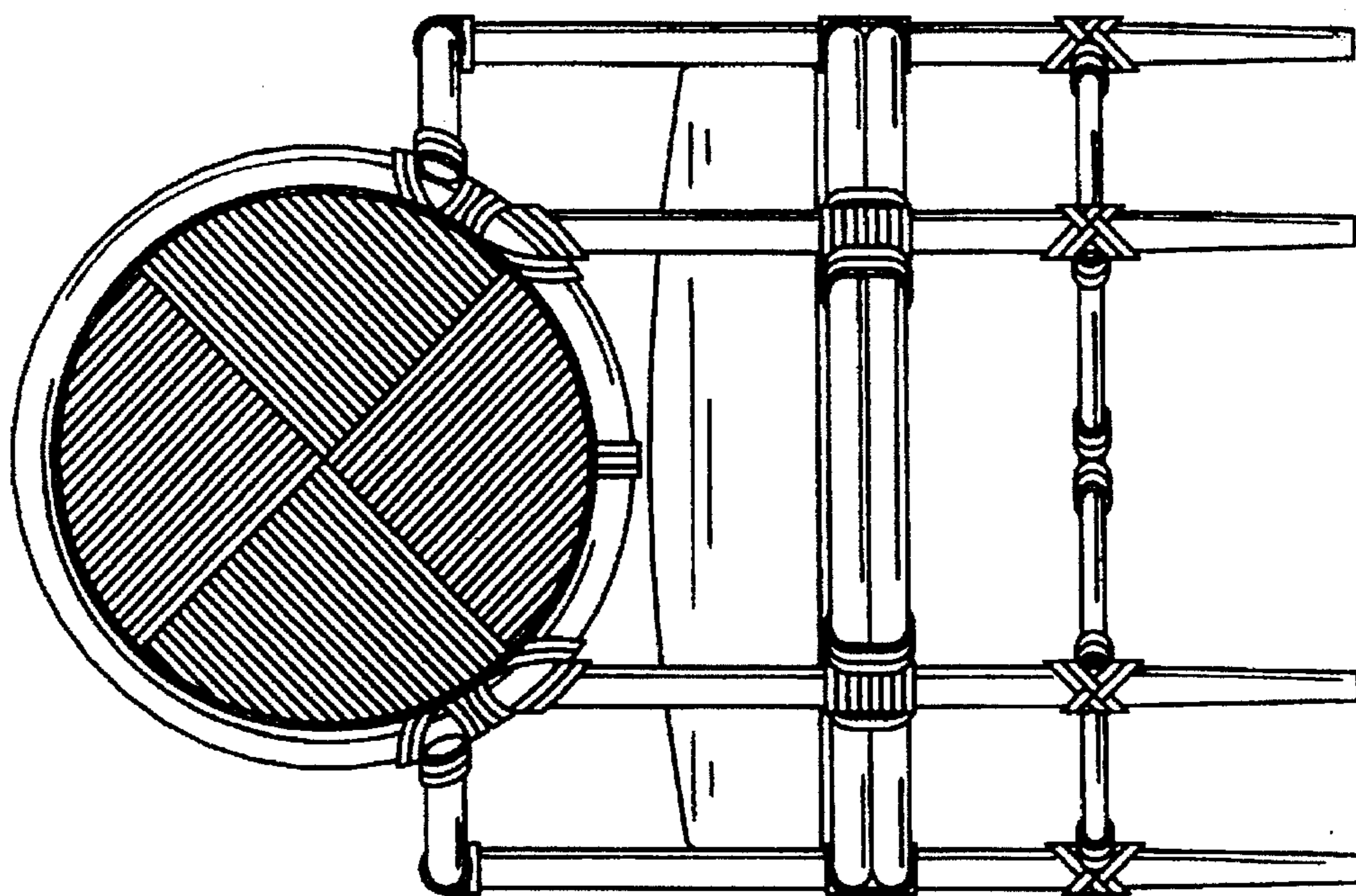


FIG. 9

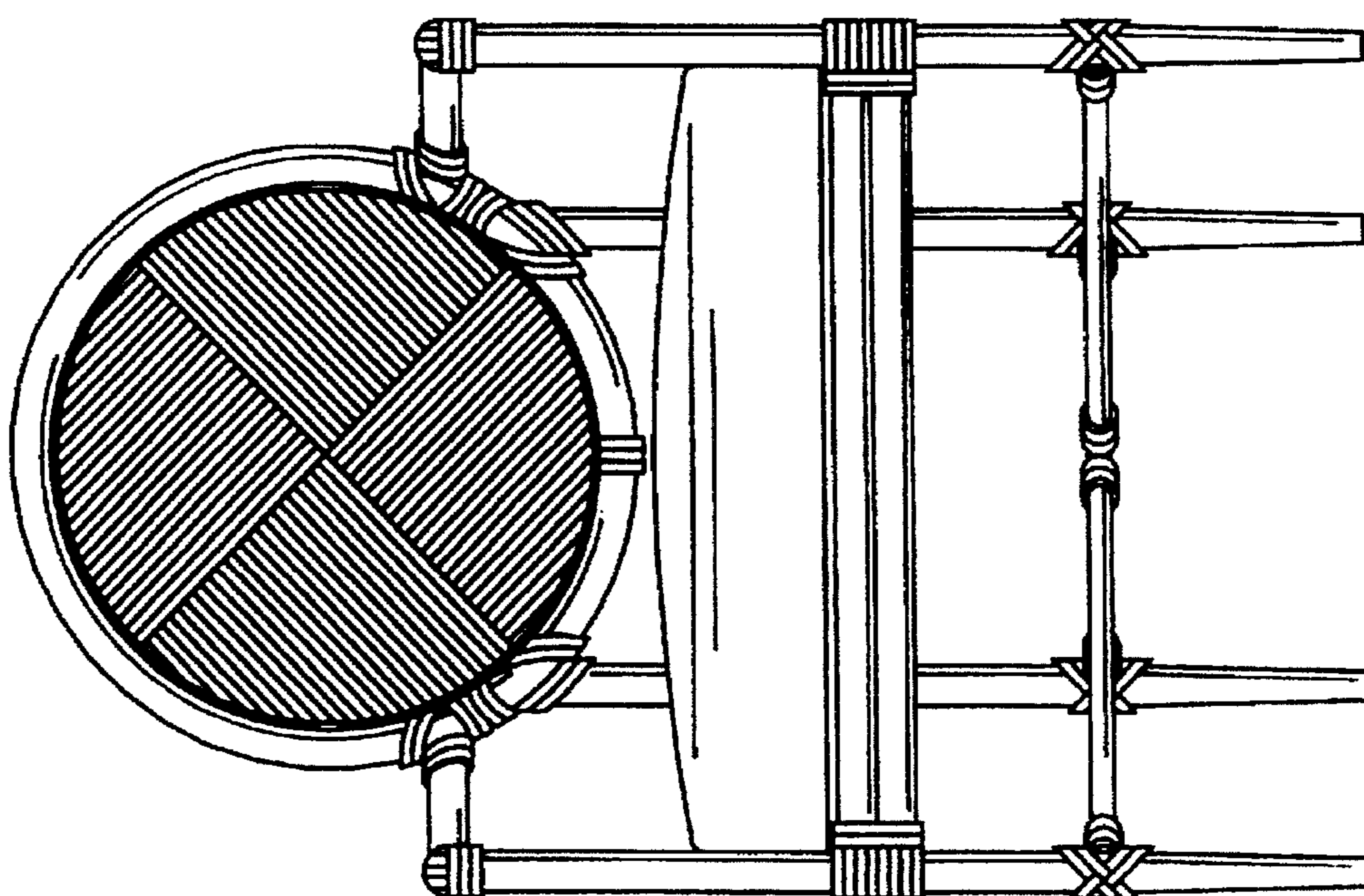


FIG. 8

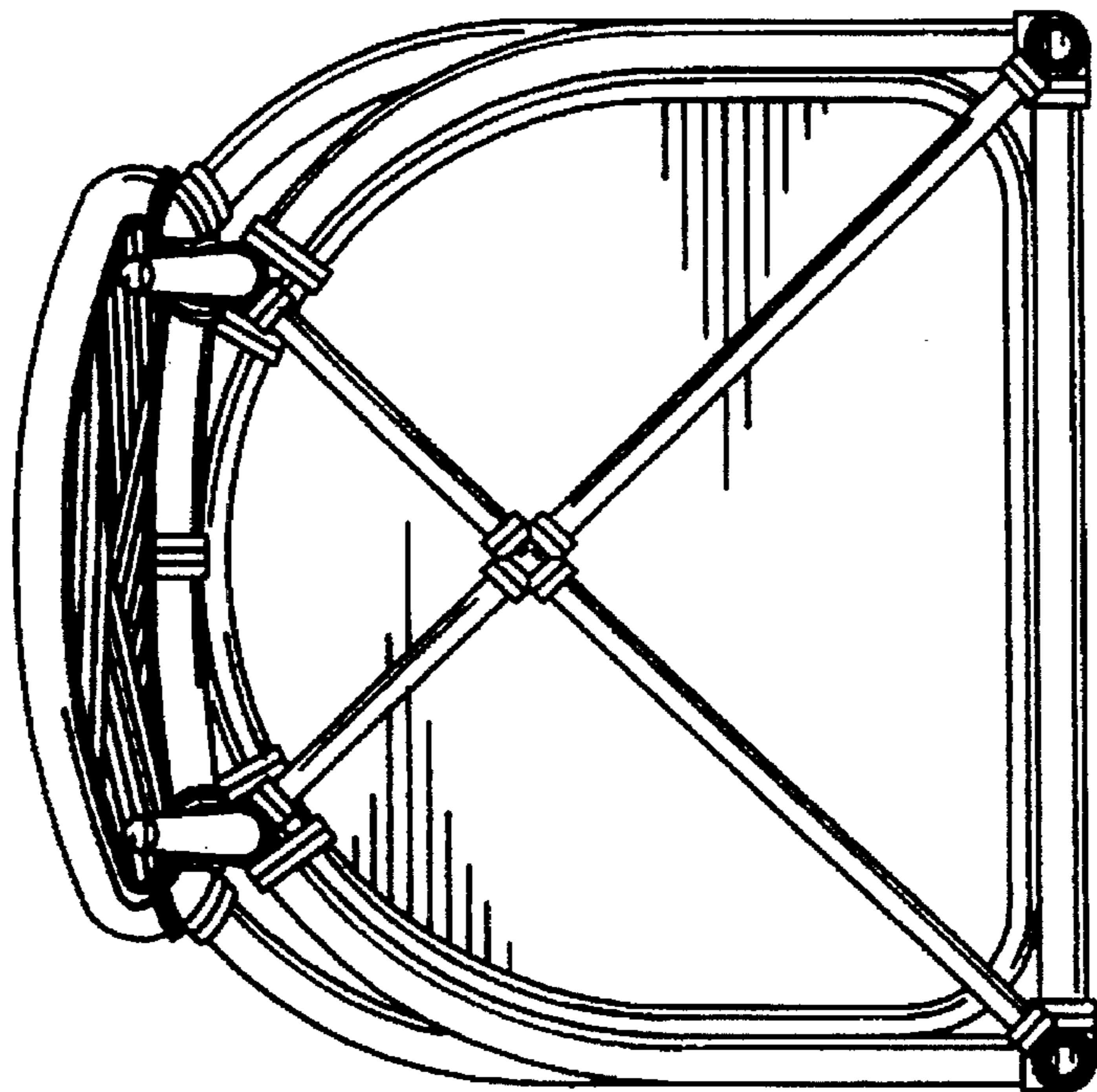


FIG. 11

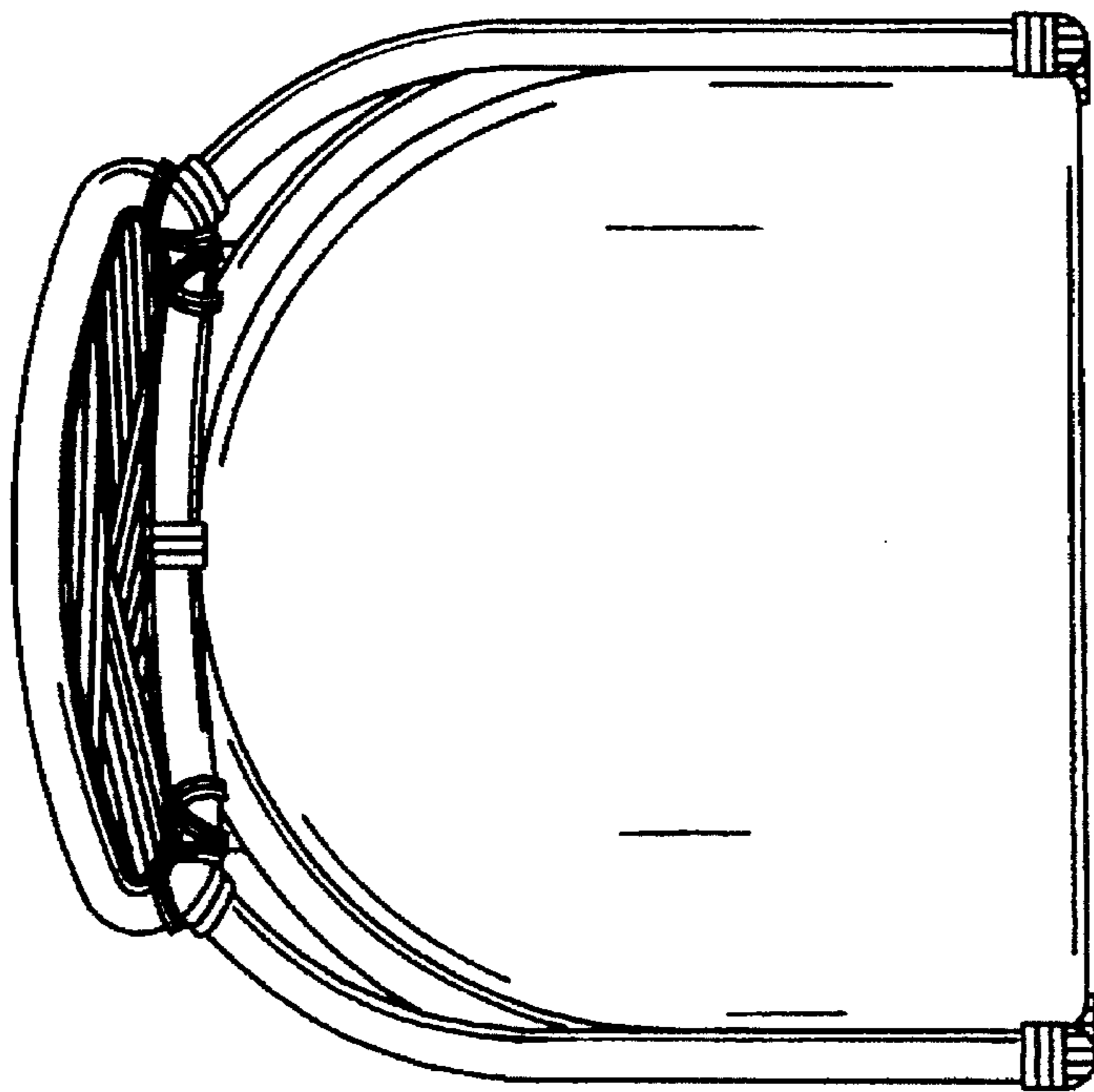


FIG. 10



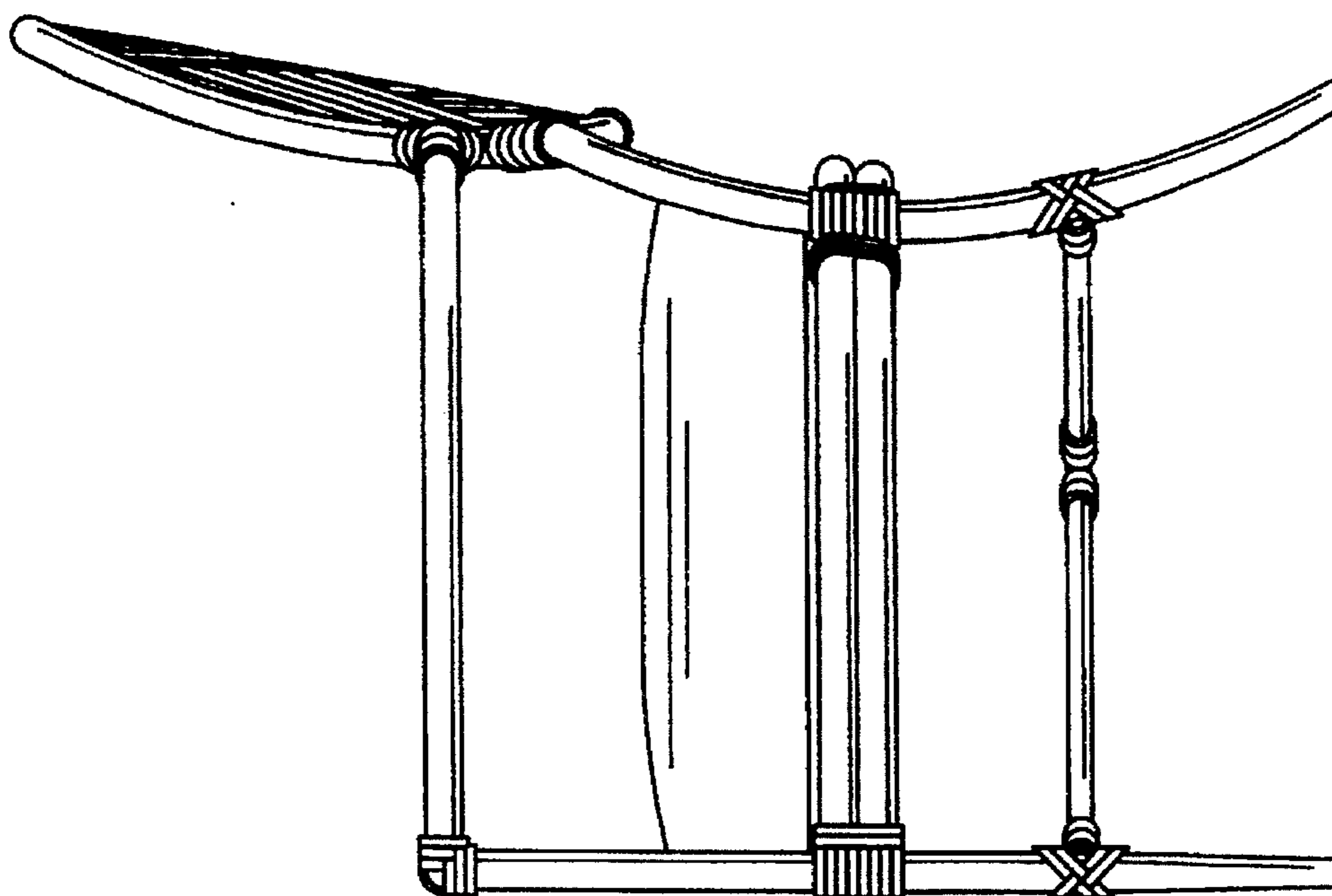


FIG. 12