



US00D380307S

United States Patent [19]
Diaz-Azcuy

[11] **Patent Number: Des. 380,307**

[45] **Date of Patent: **Jul. 1, 1997**

[54] **CHAIR**

[75] **Inventor: Orlando Diaz-Azcuy, San Francisco, Calif.**

[73] **Assignee: McGuire Furniture Company Inc., San Francisco, Calif.**

[**] **Term: 14 Years**

[21] **Appl. No.: 51,420**

[22] **Filed: Mar. 11, 1996**

[51] **LOC (6) Cl. 06-01**

[52] **U.S. Cl. D6/369; D6/379; D6/380**

[58] **Field of Search D6/334, 369, 370, D6/374, 376, 379, 380, 500, 501, 502; 297/446.1**

[56] **References Cited**

U.S. PATENT DOCUMENTS

- D. 255,295 6/1980 Thorpe D6/369
- D. 311,098 10/1990 Lee et al. D6/380
- D. 345,868 4/1994 McGuire et al. .

OTHER PUBLICATIONS

Baker undated advertisement (1950's-1960's time period) for Model Nos. 5075-3 and 5073-3 arm and side chairs.
McGuire Catalog dated 1985, 1987, 1992, p. 20 for Models M-45cUB and M-45c chairs.

McGuire Catalog dated 1985, 1987, 1992, p. 21 for Models M-55c and M-55cB chairs.

Willow & Reed Apr. 7, 1973, p. 17, Chair at bottom right.

Primary Examiner—Gary D. Watson
Attorney, Agent, or Firm—Merchant, Gould, Smith, Edell, Welter & Schmidt, P.A.

[57] **CLAIM**

The ornamental design for chair, as shown and described.

DESCRIPTION

FIG. 1 is a perspective view taken from the top, front and right side of a chair embodying my new design;

FIG. 2 is a front elevational view thereof;

FIG. 3 is a rear elevational view thereof;

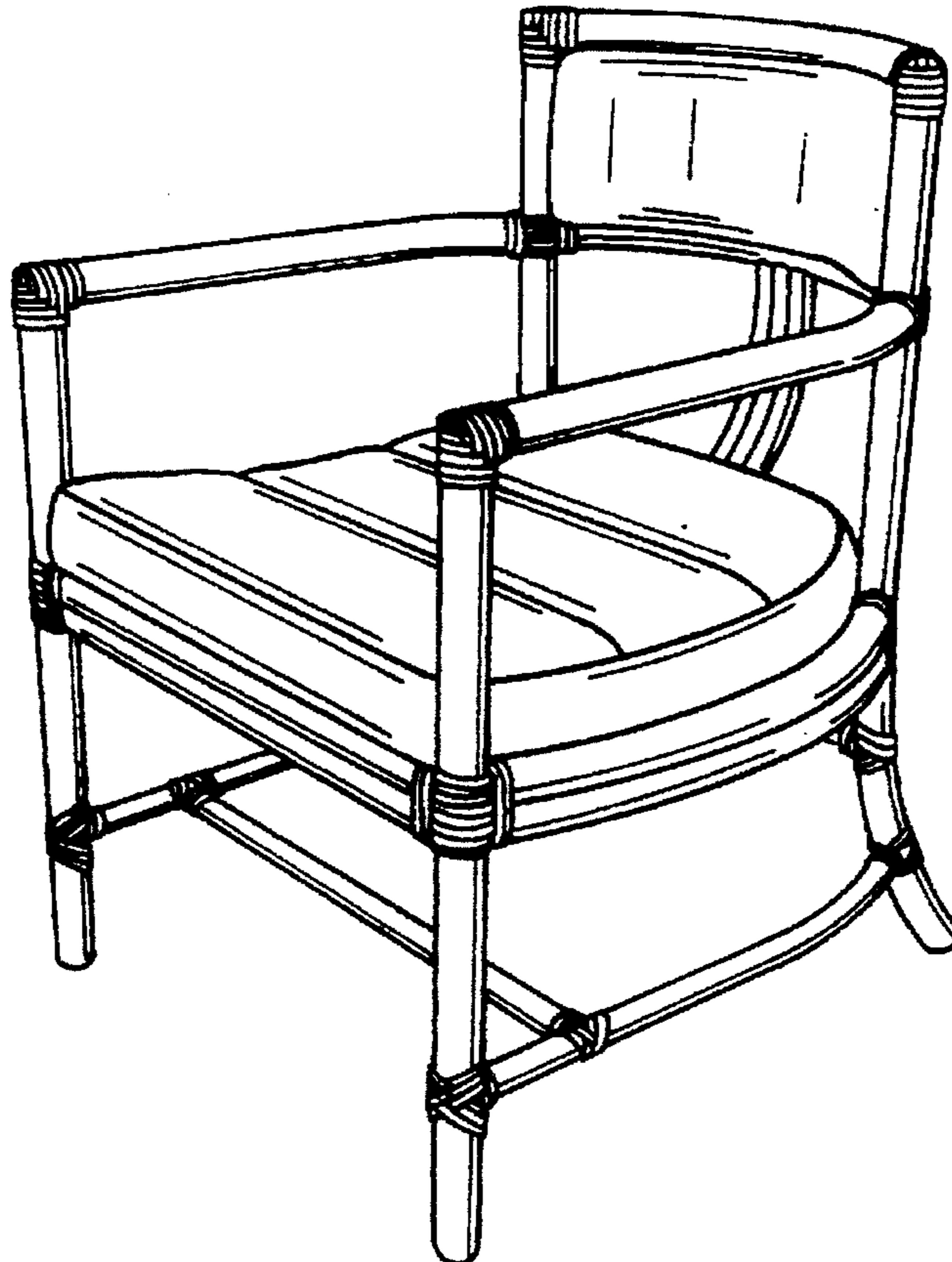
FIG. 4 is a right side elevational view thereof, the left side elevational view being the mirror image of the right side shown;

FIG. 5 is a top plan view thereof; and,

FIG. 6 is a bottom plan view thereof.

FIGS. 2 through 6 have been shown on an enlarged scale with respect to FIG. 1.

1 Claim, 3 Drawing Sheets



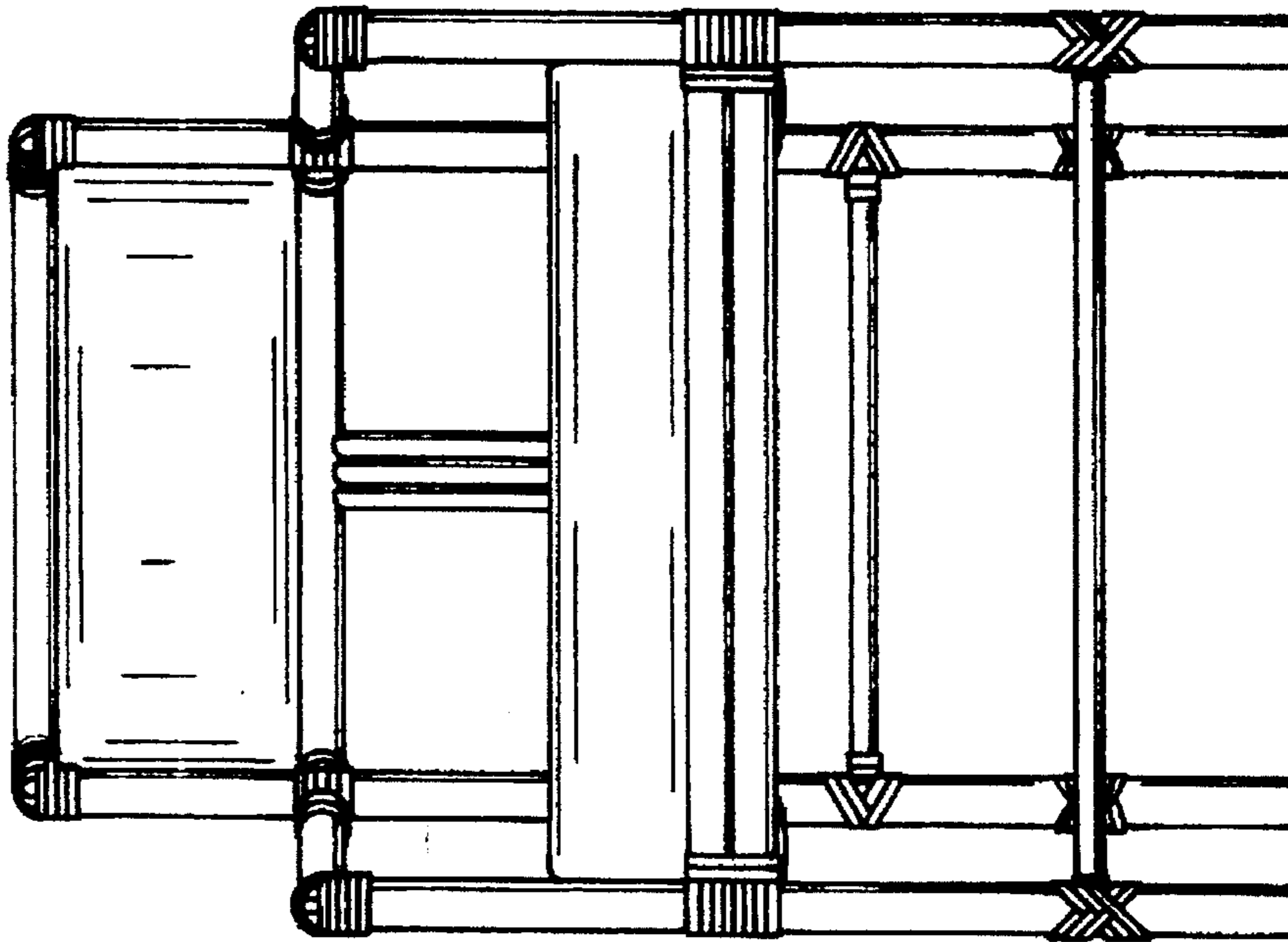


FIG. 2

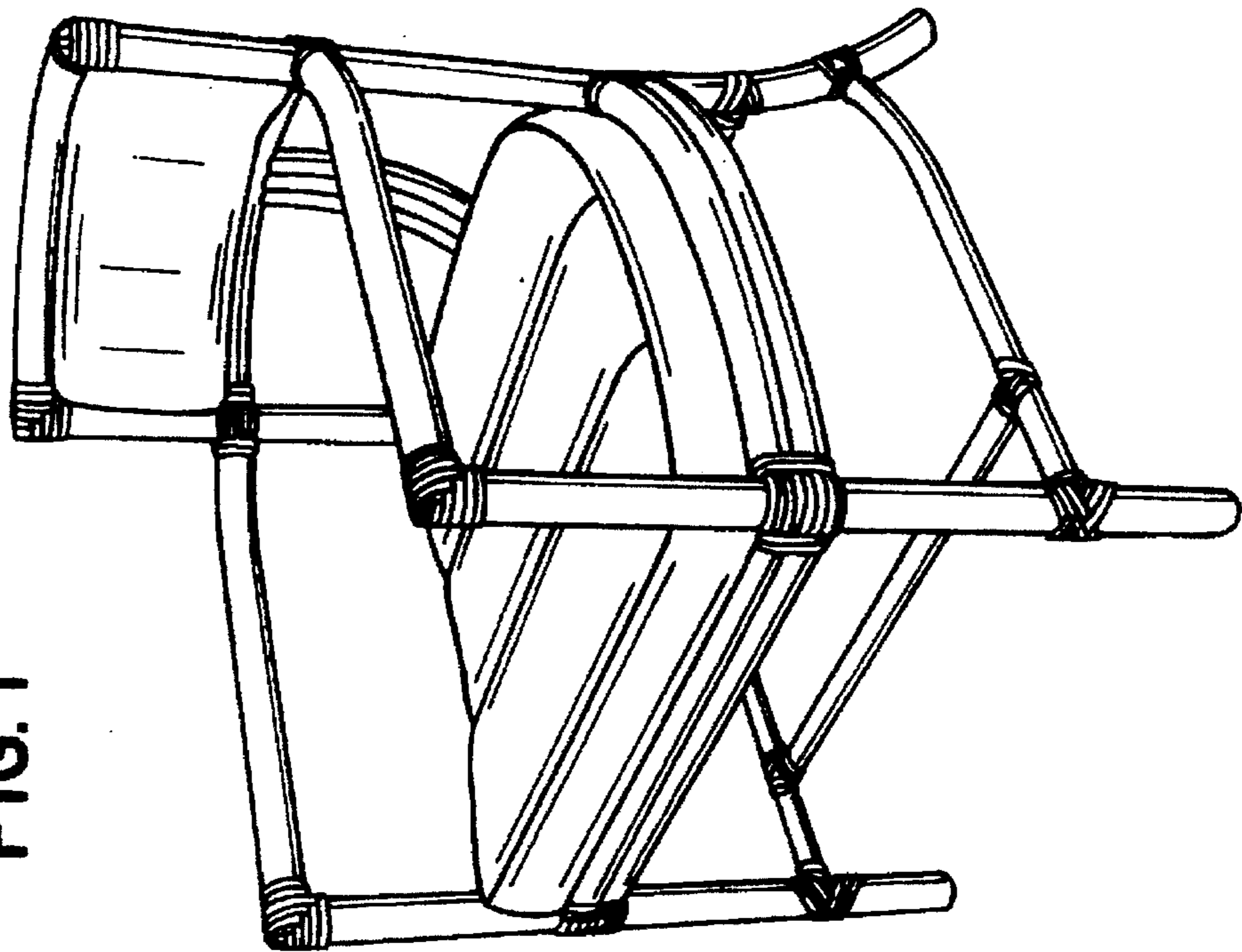


FIG. 1

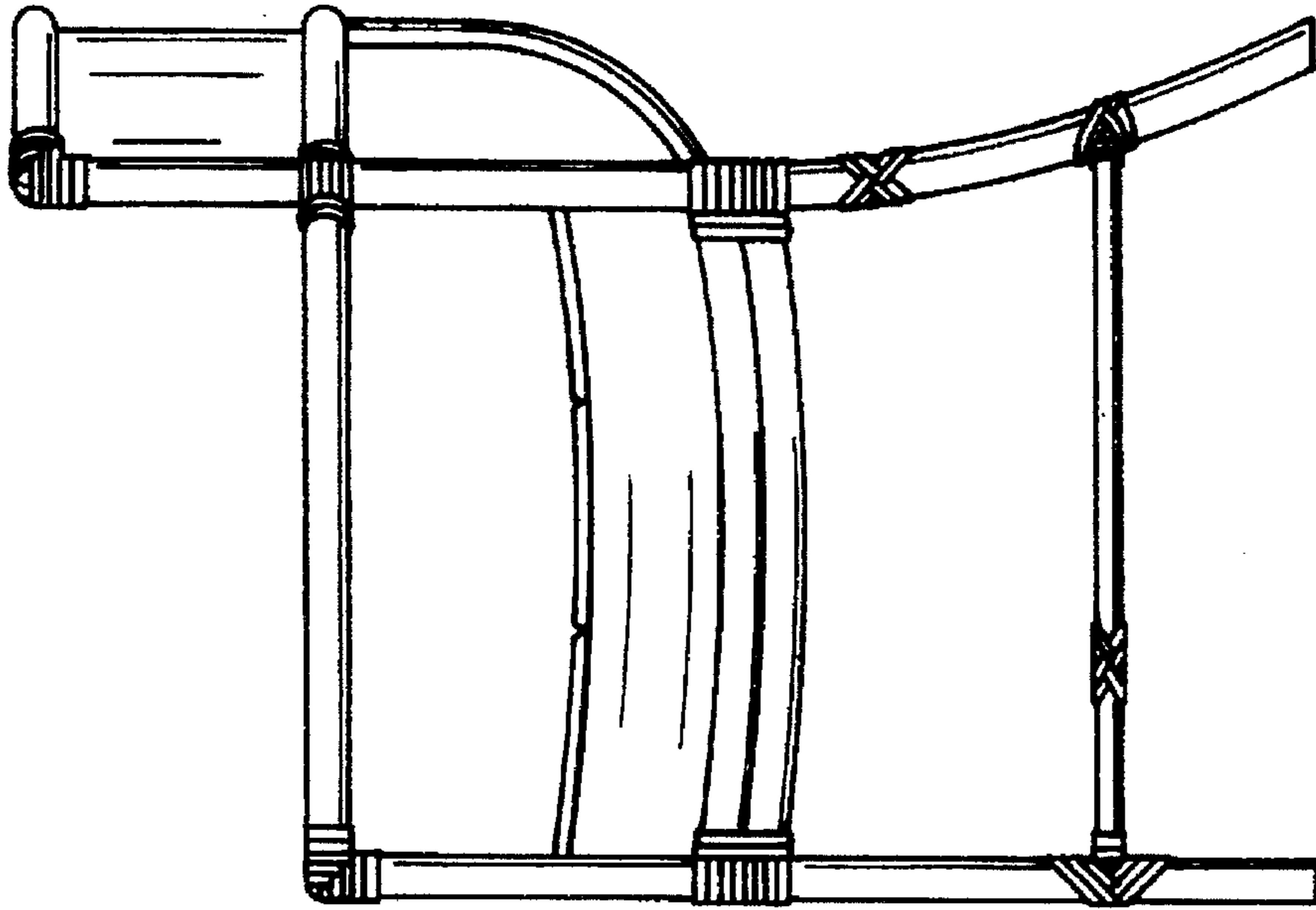


FIG. 4

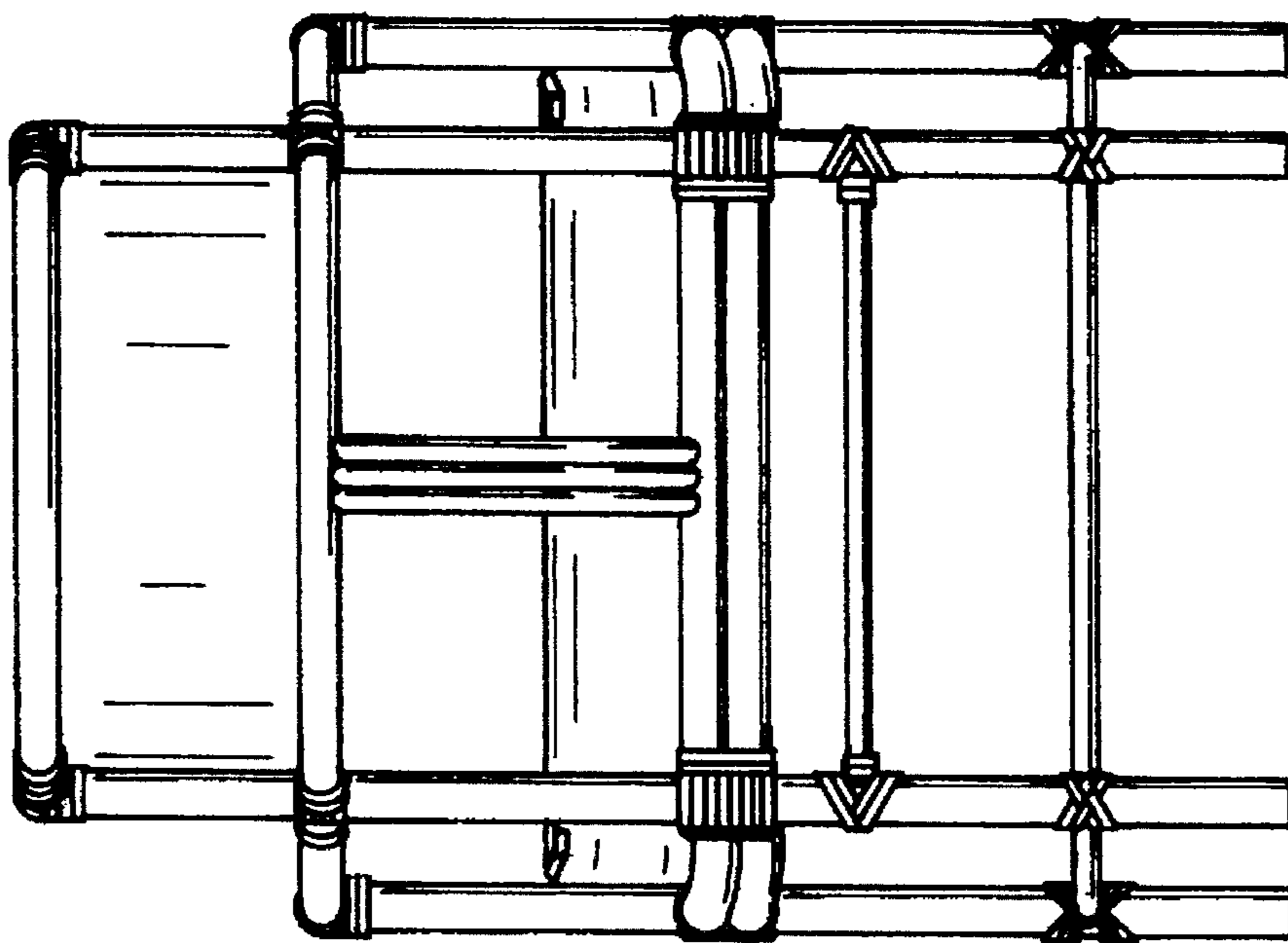


FIG. 3

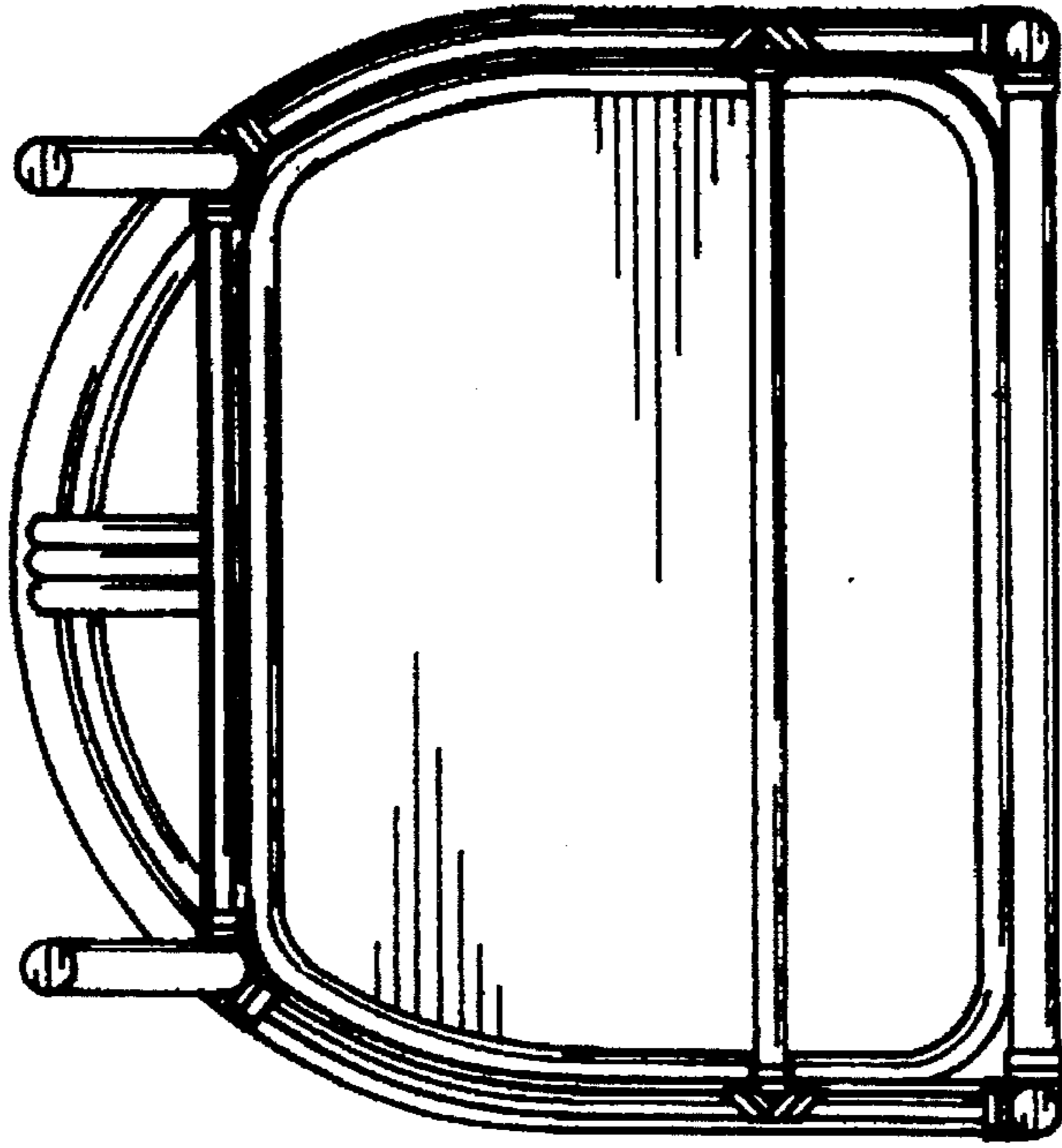


FIG. 6

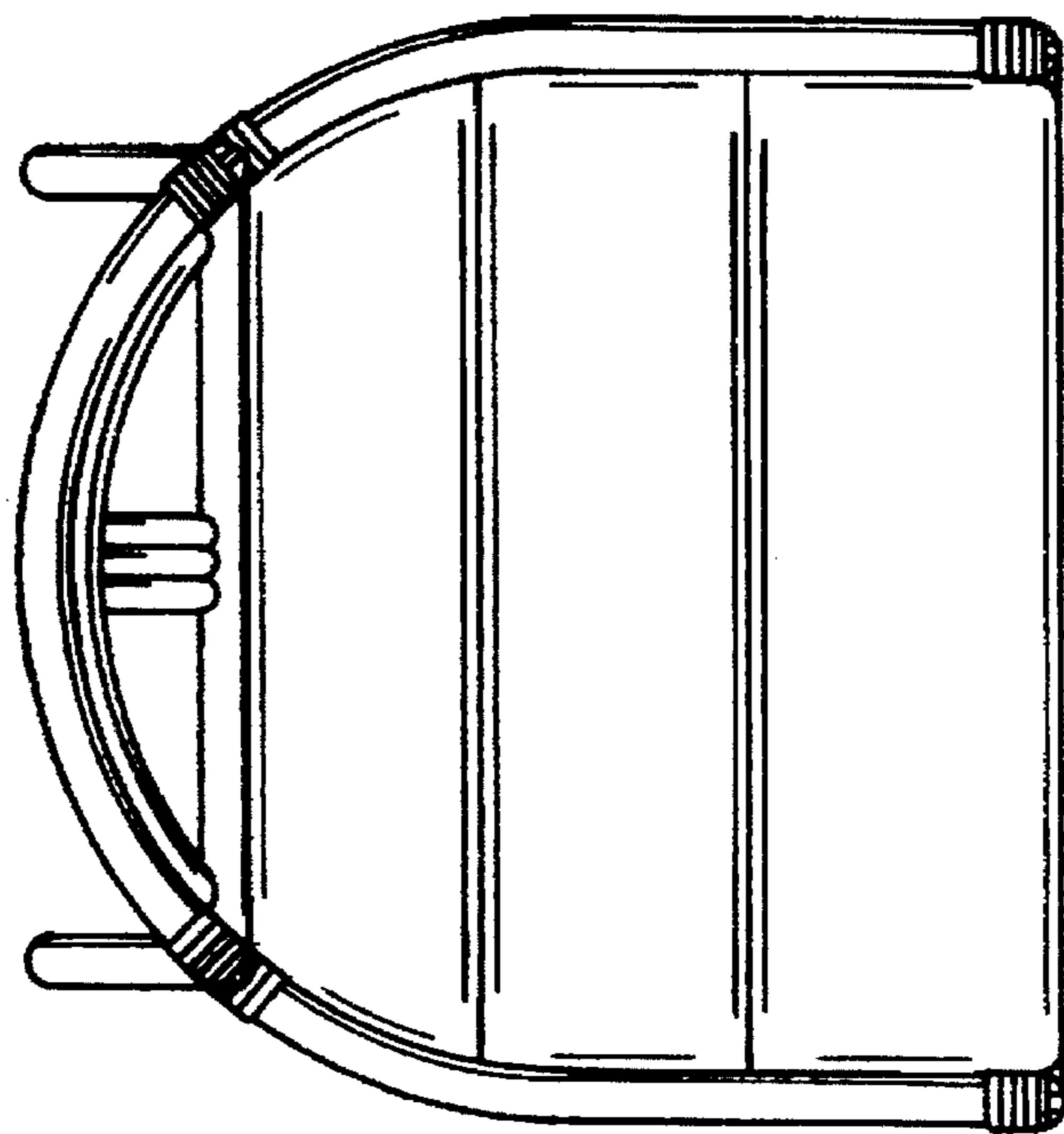


FIG. 5