



US00D380303S

United States Patent [19]
Wolfenden

[11] **Patent Number: Des. 380,303**

[45] **Date of Patent: **Jul. 1, 1997**

[54] **BROOM HEAD WITH CONNECTOR**

[75] Inventor: **Anthony Henry Wolfenden**, Elwood, Australia

[73] Assignee: **The Decor Corporation Pty Ltd.**, Victoria, Australia

[**] Term: **14 Years**

[21] Appl. No.: **44,085**

[22] Filed: **Sep. 18, 1995**

[51] LOC (6) Cl. **04-99**

[52] U.S. Cl. **D4/199; D32/50**

[58] Field of Search D4/130, 132, 135, D4/138, 199; D32/40, 50, 51; 15/146, 159.1, 160, 176.1, 176.2, 186, 187

[56] **References Cited**

U.S. PATENT DOCUMENTS

D. 195,818	8/1963	Herman et al.	D32/50
D. 232,617	9/1974	Albrecht, Jr.	D32/50
D. 287,173	12/1986	Libman	D32/51
3,076,217	2/1963	Scholl	15/145
4,384,383	5/1983	Bryant	15/159.1

OTHER PUBLICATIONS

U.S. Sunshine Industries Catalogue of 1994; Brooms pp. 4 and 12.

L.A. Brush, Catalog 200, Brush Heads pp. 46 & 48.

Primary Examiner—A. Hugo Word

Assistant Examiner—Lavone D. Tabor

Attorney, Agent, or Firm—Lowe, Price, LeBlanc & Becker

[57] **CLAIM**

The ornamental design for a broom head with connector, as shown and described.

DESCRIPTION

FIG. 1 is a perspective view from above and one side thereof;

FIG. 2 is a perspective view from below and the other side thereof;

FIG. 3 is a top view thereof shown on a reduced scale;

FIG. 4 is a side view thereof;

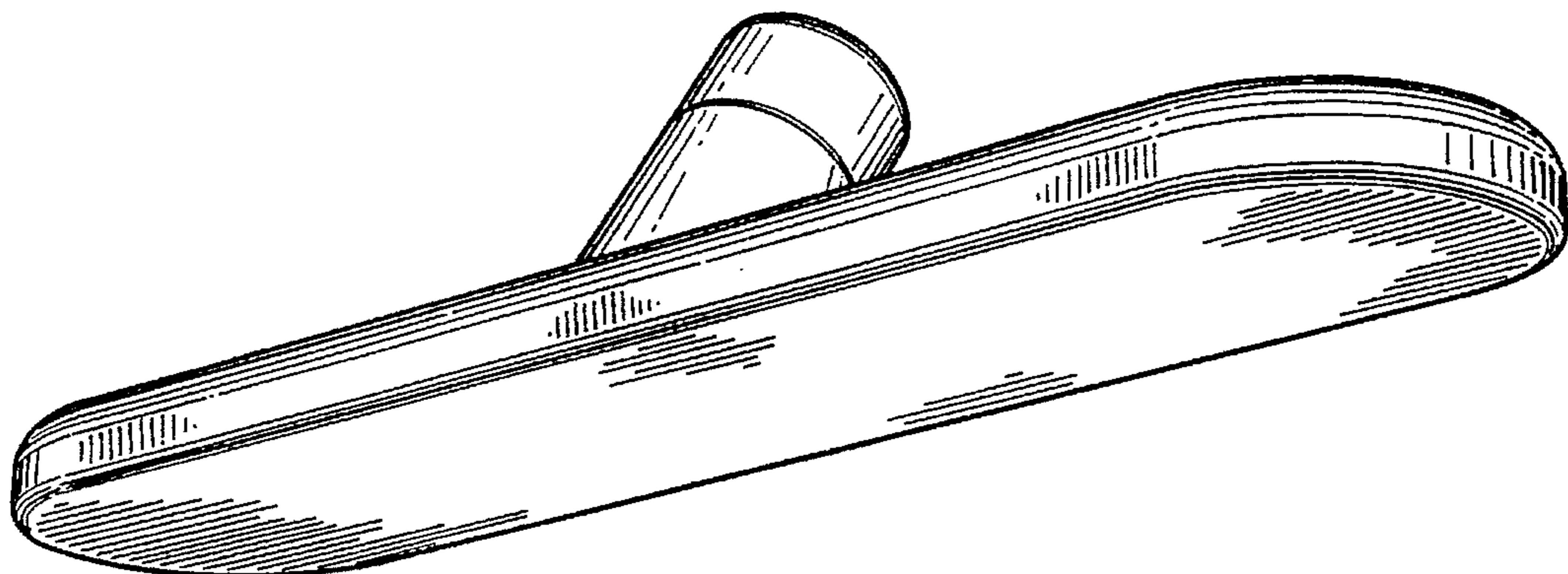
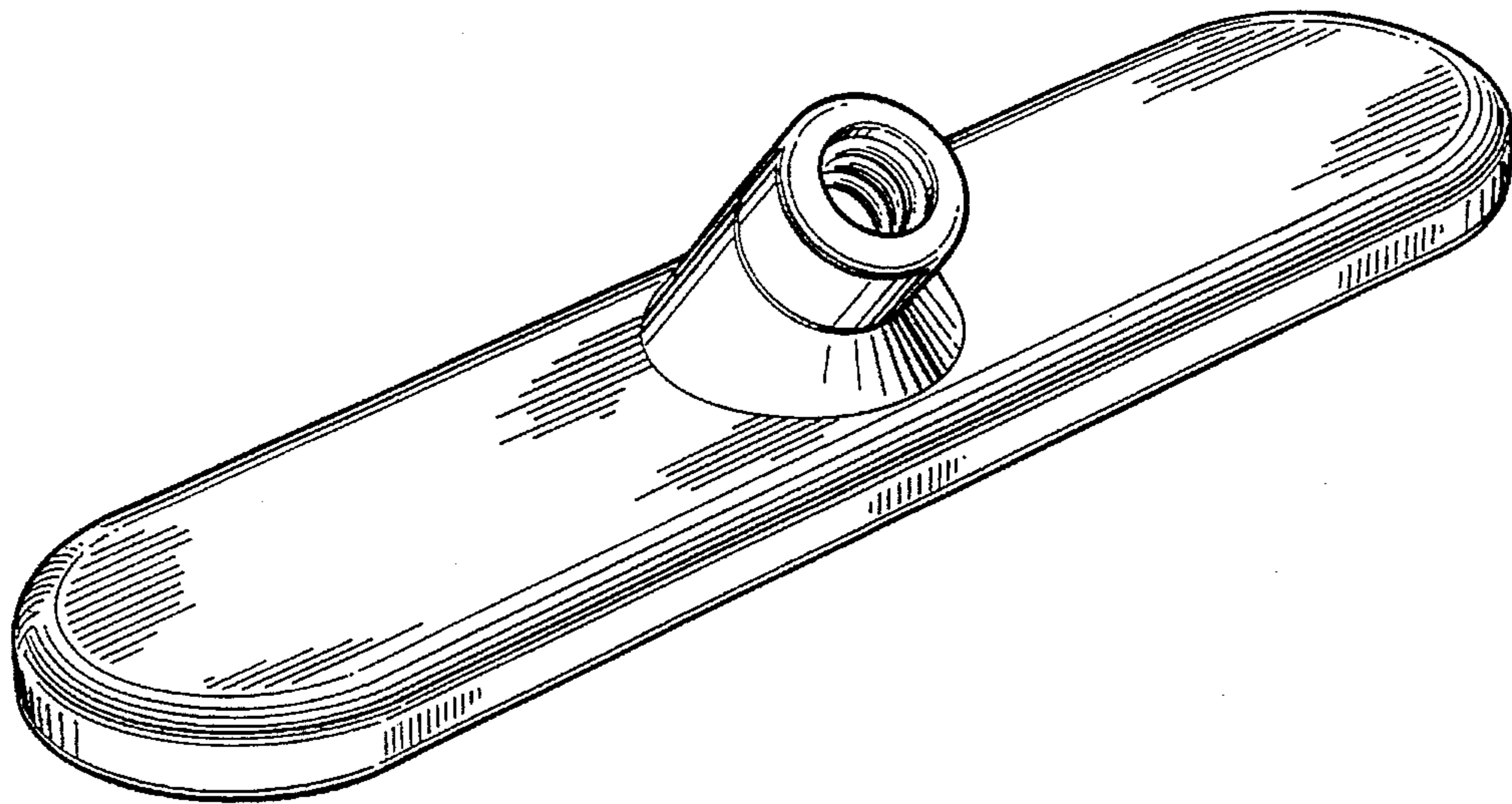
FIG. 5 is a front view thereof;

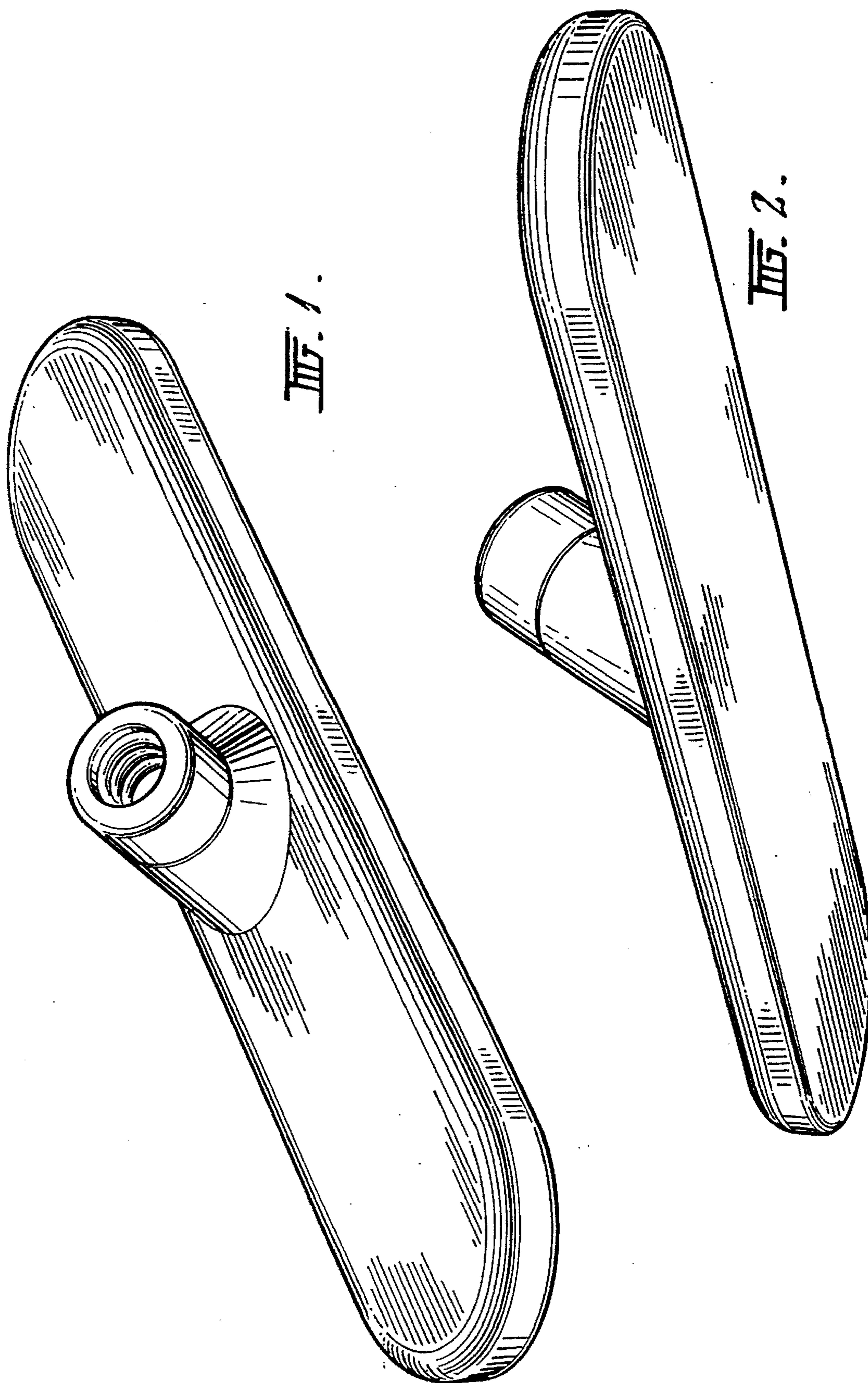
FIG. 6 is a view of the side opposite that shown in FIG. 4;

FIG. 7 is an underneath view thereof; and,

FIG. 8 is a rear view thereof.

1 Claim, 2 Drawing Sheets





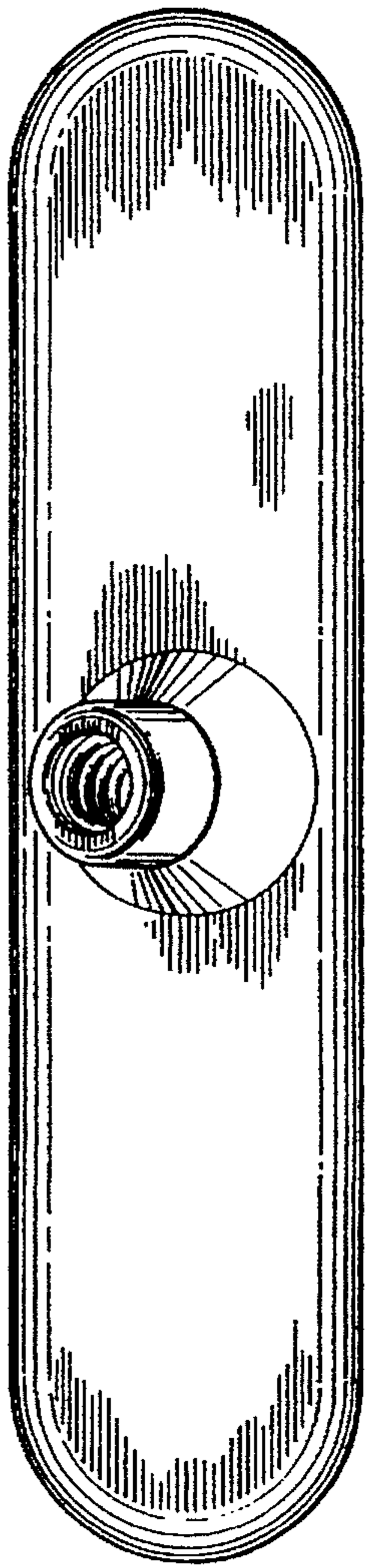


FIG. 3.

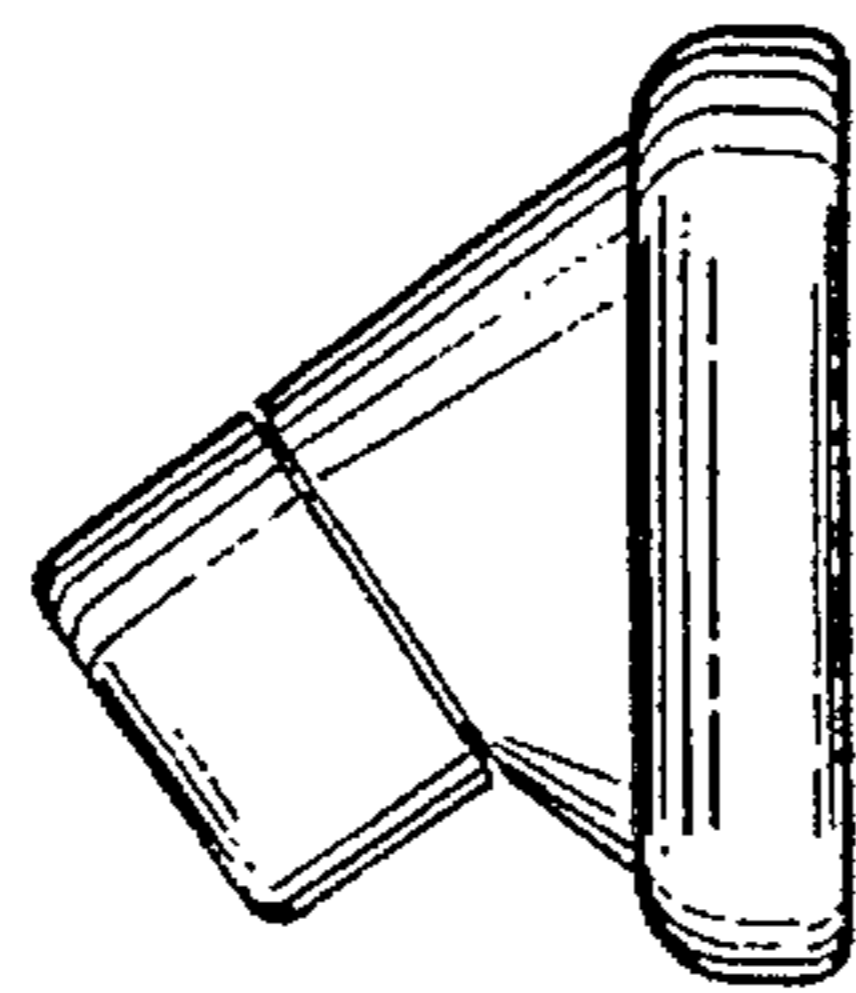


FIG. 4.

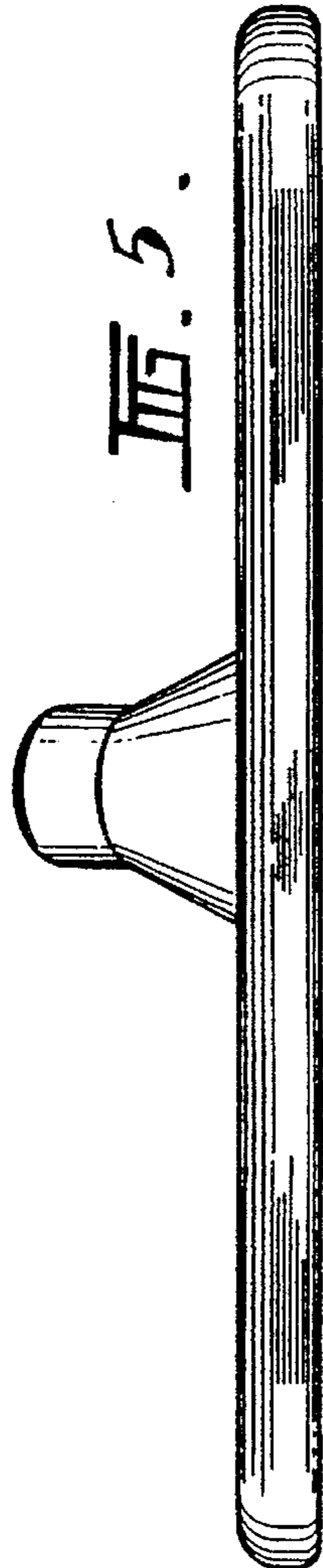


FIG. 5.

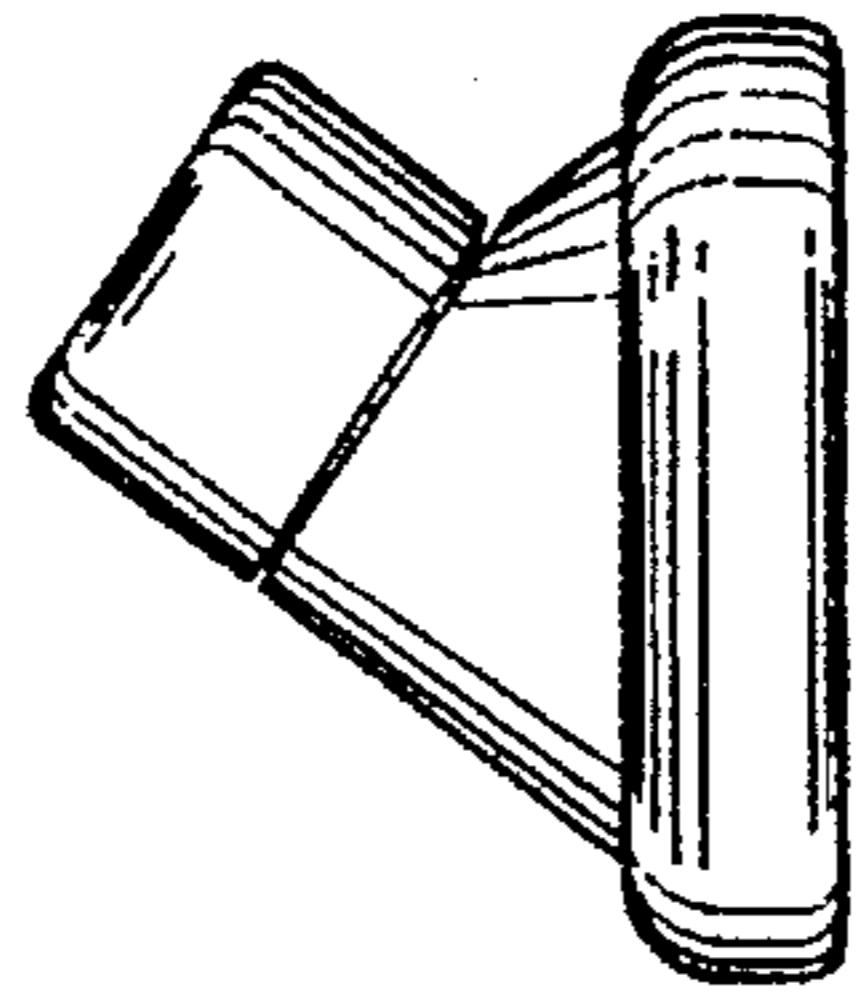


FIG. 6.

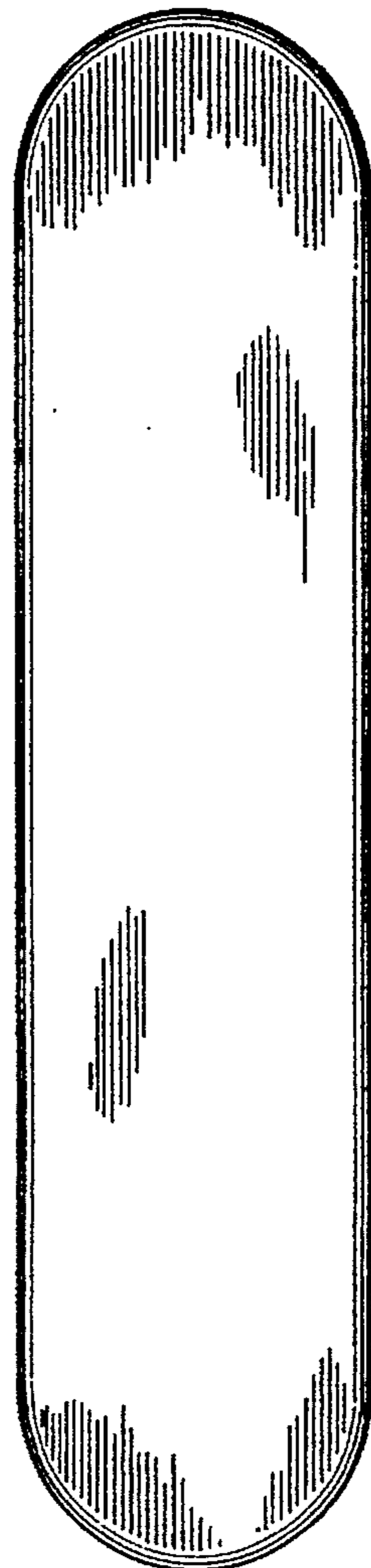


FIG. 7.

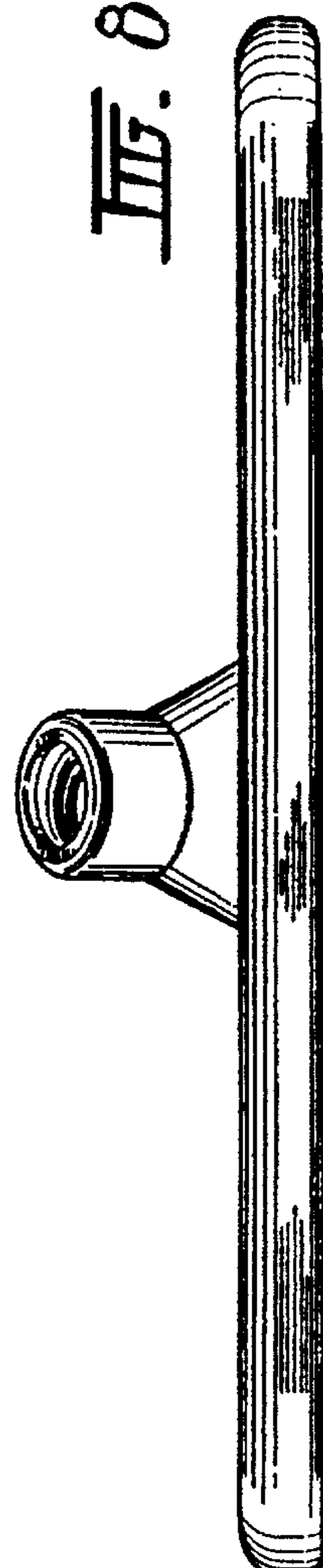


FIG. 8.