



US00D380301S

United States Patent [19]
Kogutt

[11] **Patent Number:** **Des. 380,301**
[45] **Date of Patent:** ****Jul. 1, 1997**

[54] **ACCESSORY POCKET FOR PORTFOLIO**

D. 353,836 12/1994 Carvelli et al. D19/27
4,847,798 7/1989 Kurashima 364/708

[75] **Inventor:** **Randy A. Kogutt, Dallas, Tex.**

OTHER PUBLICATIONS

[73] **Assignee:** **Dart Manufacturing Company,**
Dallas, Tex.

Visible Record Systems, U.S. Postal Service publication,
1989.

[**] **Term:** **14 Years**

Primary Examiner—Doris V. Coles
Assistant Examiner—Catherine R. Oliver
Attorney, Agent, or Firm—Akin, Gump, Strauss, Hauer &
Feld, L.L.P.

[21] **Appl. No.:** **40,264**

[22] **Filed:** **Jun. 14, 1995**

[51] **LOC (6) Cl.** **03-99**

[57] **CLAIM**

[52] **U.S. Cl.** **D3/319; D19/32**

The ornamental design for an accessory pocket for a port-
folio, as shown and described.

[58] **Field of Search** **D3/319, 249, 253,**
D3/247; D19/26, 27, 32, 33; D18/6, 7,
11, 12; 190/900

DESCRIPTION

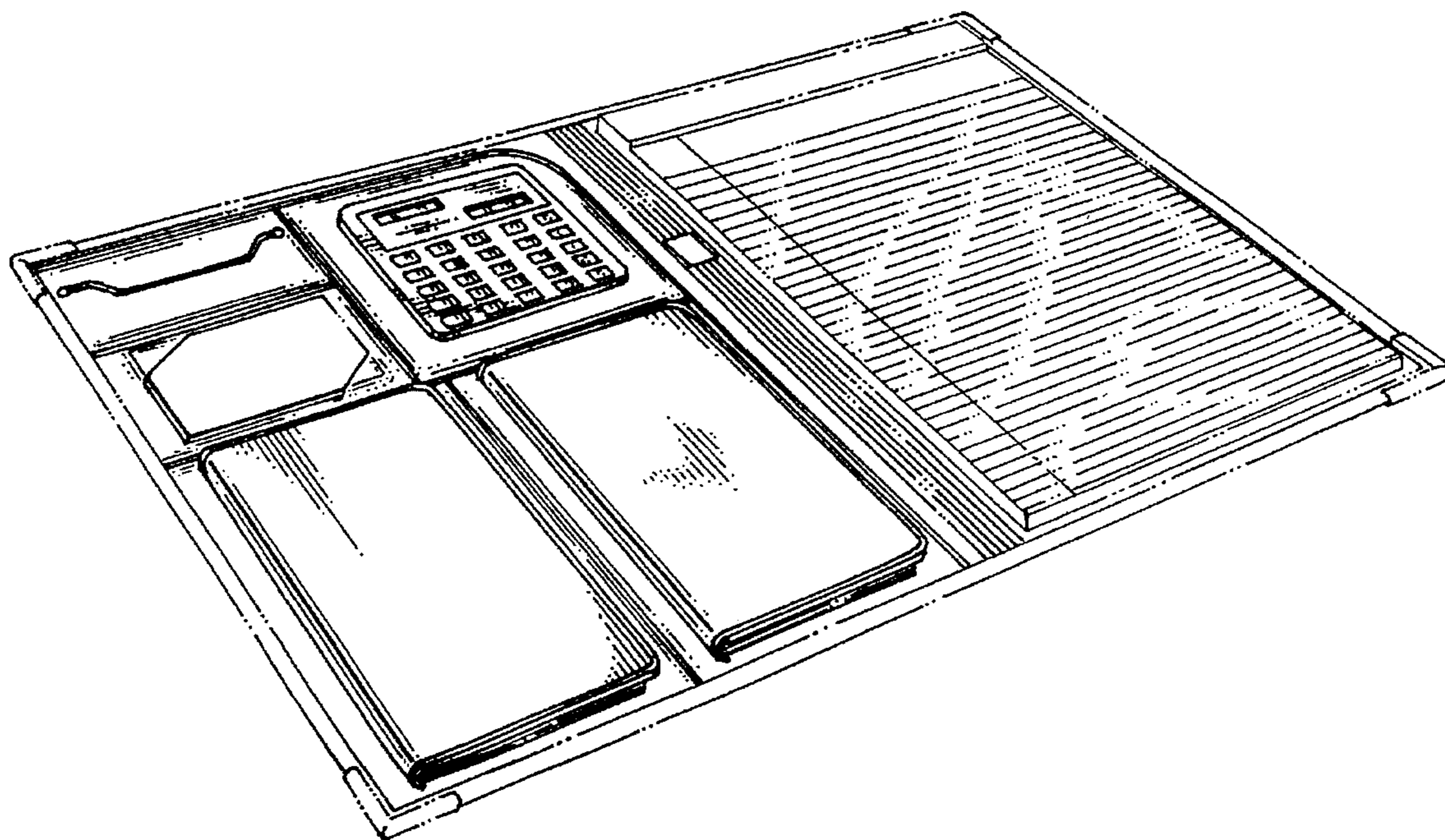
[56] **References Cited**

FIG. 1 is a top plan view of an accessory pocket for a
portfolio showing my new design;
FIG. 2 is a left elevational view thereof;
FIG. 3 is a right elevational view thereof;
FIG. 4 is a rear elevational view thereof;
FIG. 5 is a front elevational view thereof;
FIG. 6 is a perspective view thereof; and,
FIG. 7 is a perspective view thereof, the broken lines being
for illustrative purposes only and forming no part of the
claimed design.

U.S. PATENT DOCUMENTS

D. 223,644	5/1972	Croon	D3/247
D. 240,726	7/1976	Harris	D19/33
D. 241,381	9/1976	Garnier	D18/7
D. 282,856	3/1986	Daly	D19/33
D. 285,809	9/1986	Sindler	D19/27
D. 291,209	8/1987	Nava	D19/26
D. 302,698	8/1989	Rexroat et al.	D19/26
D. 317,977	7/1991	Felkner et al.	D19/26
D. 333,485	2/1993	Kogutt	D19/32
D. 335,685	5/1993	Chen	D3/249 X

1 Claim, 2 Drawing Sheets



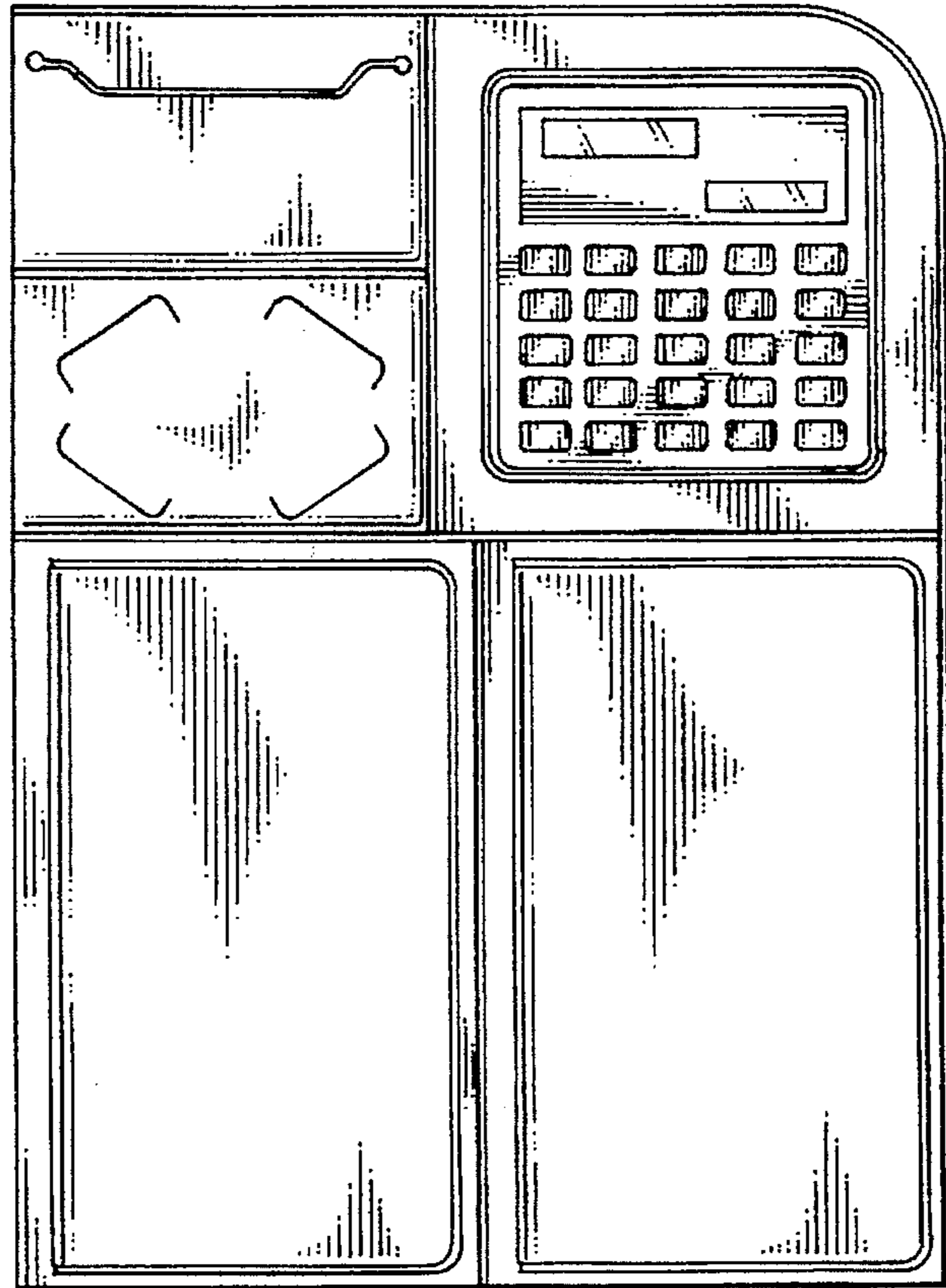


FIG. 1



FIG. 2



FIG. 3



FIG. 4



FIG. 5

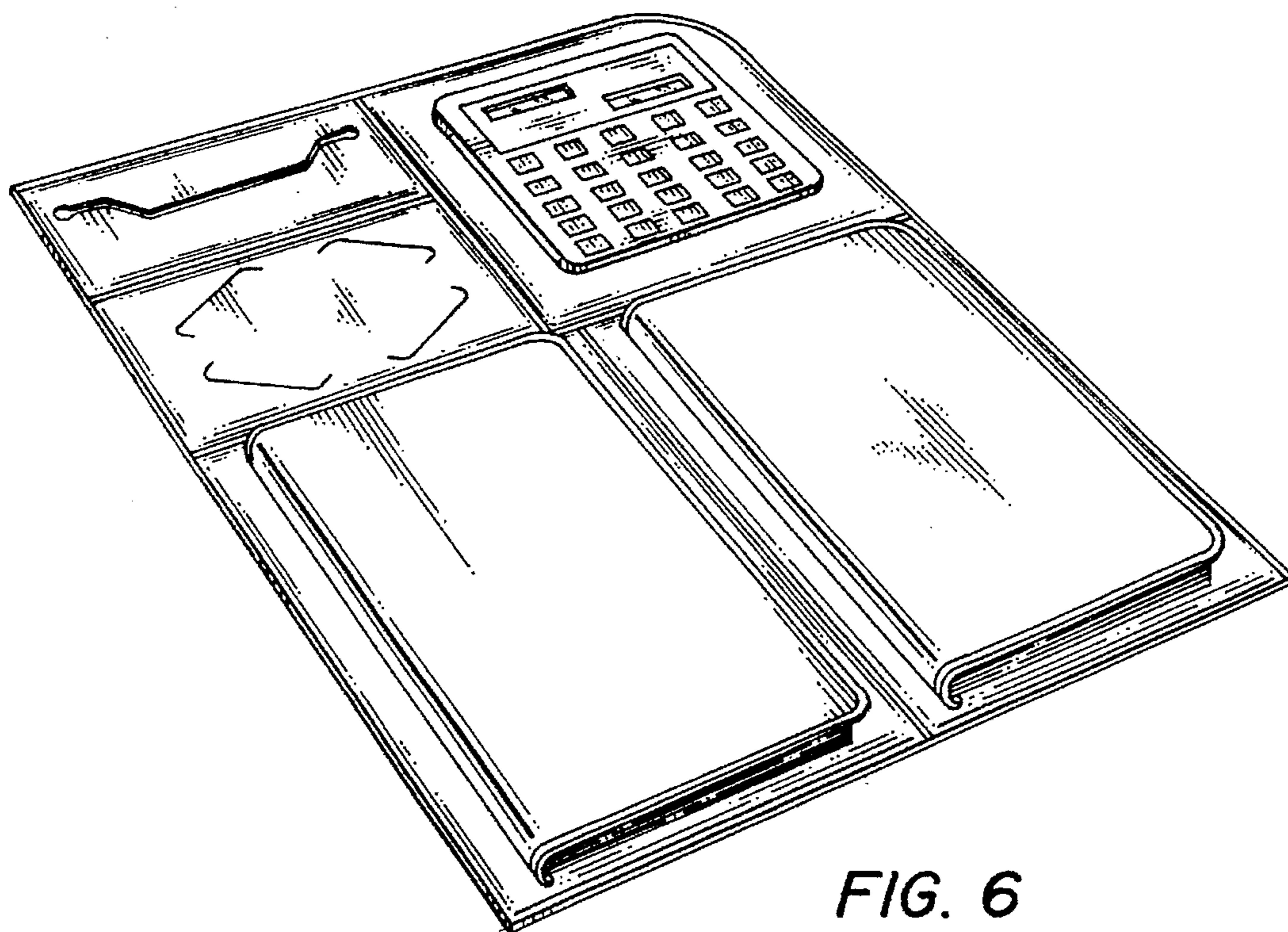


FIG. 6

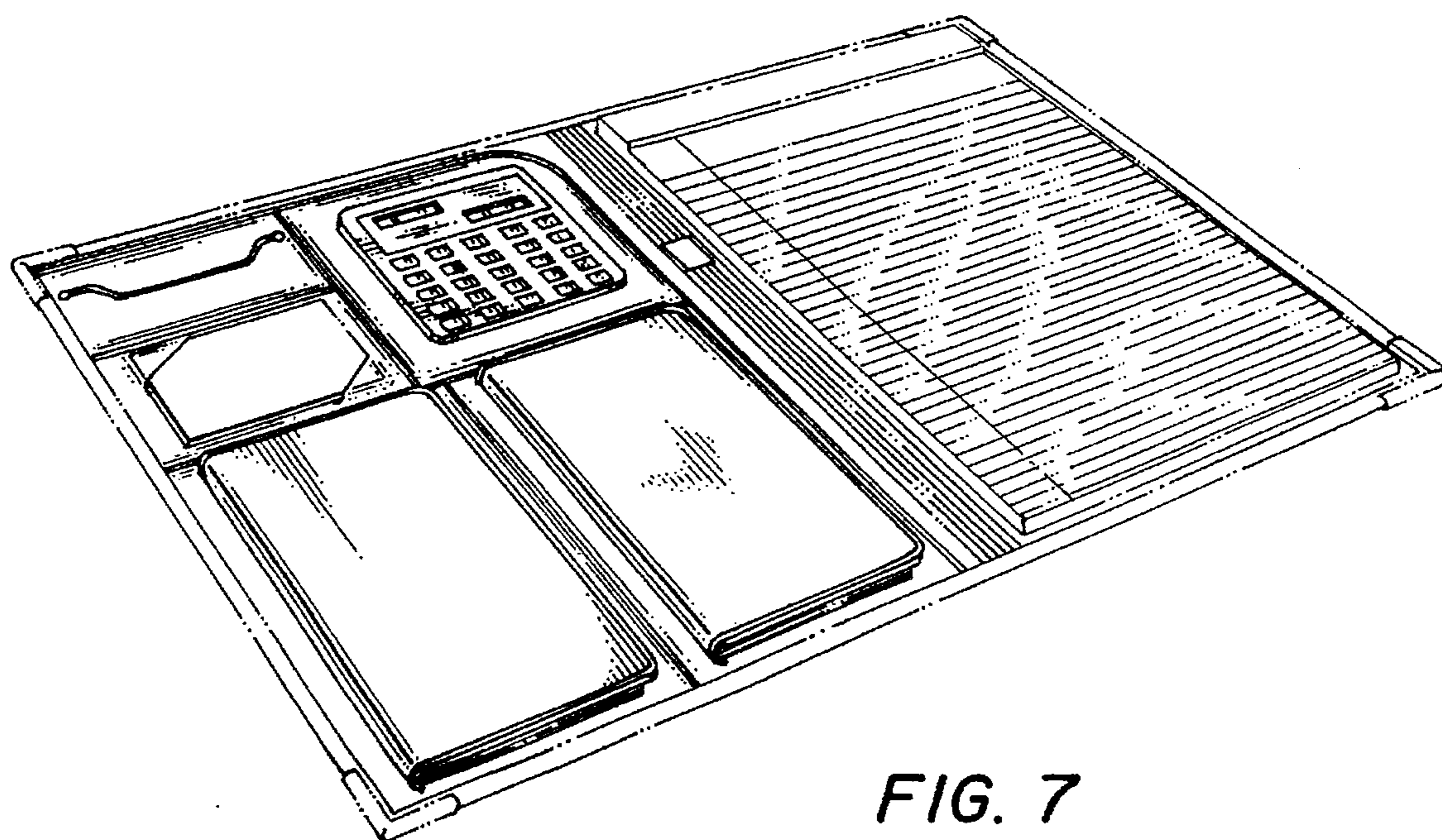


FIG. 7