



US00D380300S

# United States Patent [19]

Dalbo

[11] Patent Number: **Des. 380,300**

[45] Date of Patent: **\*\*Jul. 1, 1997**

[54] **TRAY FOR BEADWORK**

3,667,647 6/1972 van Daalen ..... 206/515 X

[76] Inventor: **Emil J. Dalbo**, P.O. Box 61, Tucker, Ga. 30084

*Primary Examiner*—B. J. Bullock  
*Assistant Examiner*—Richelle Shelton  
*Attorney, Agent, or Firm*—James B. Middleton

[\*\*] Term: **14 Years**

### [57] CLAIM

[21] Appl. No.: **44,255**

The ornamental design for a tray for beadwork, as shown and described.

[22] Filed: **Sep. 21, 1995**

### DESCRIPTION

[51] LOC (6) Cl. .... **03-01**

[52] U.S. Cl. .... **D3/313; D3/314**

[58] Field of Search ..... D3/304, 305, 307-314;  
D9/341; D28/73; 206/6.1, 566, 561; 220/4.26,  
4.27, 408, 507; D6/510

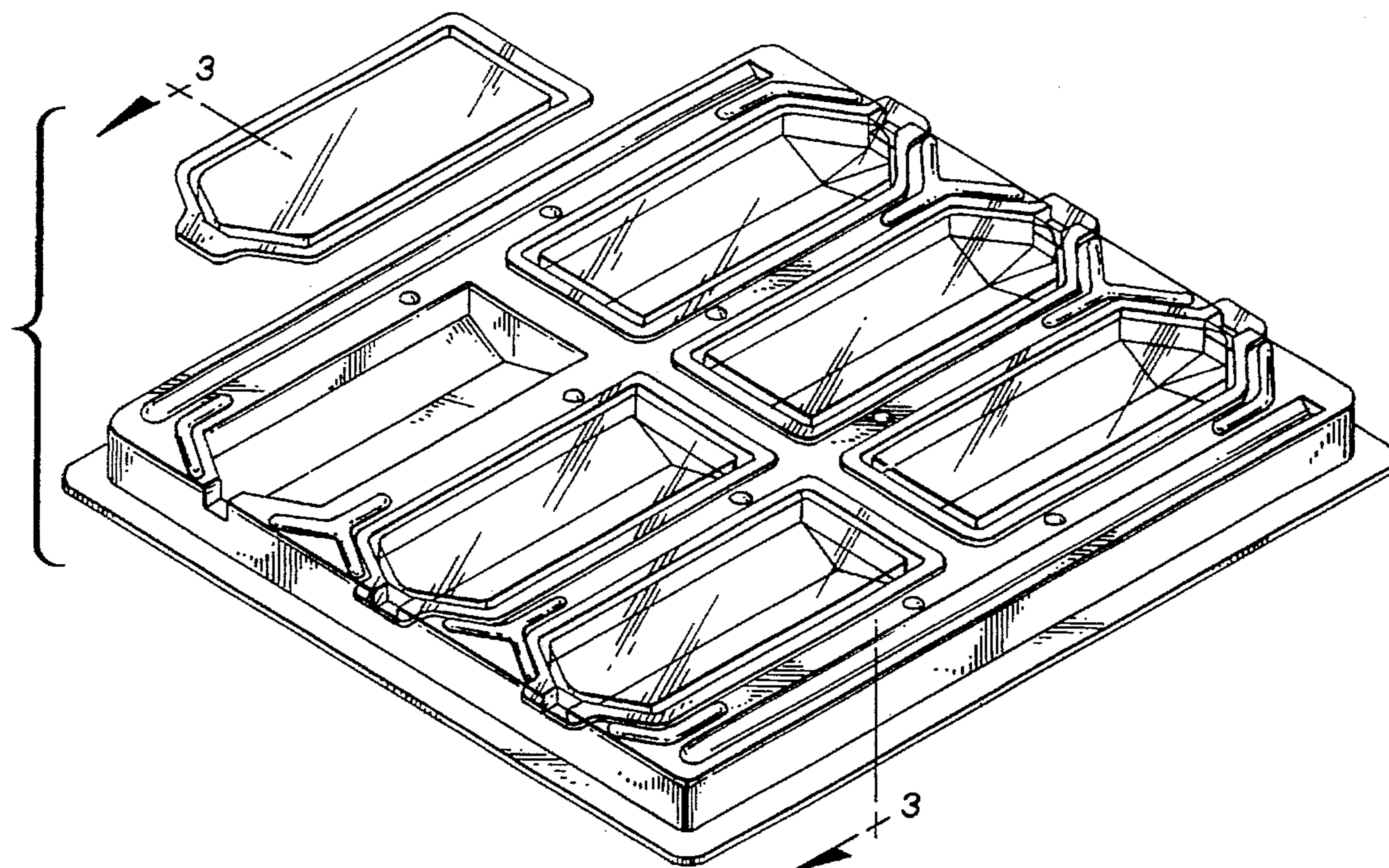
FIG. 1 is a perspective view showing a tray for beadwork embodying my new design, one compartment cover being shown exploded therefrom;  
FIG. 2 is a front elevational view thereof, the rear elevational view being a mirror image;  
FIG. 3 is a cross-sectional view thereof, taken along the line 3-3 in FIG. 1;  
FIG. 4 is a side elevational view thereof, the opposite side view being a mirror image;  
FIG. 5 is a top plan view thereof; and,  
FIG. 6 is a bottom plan view thereof.

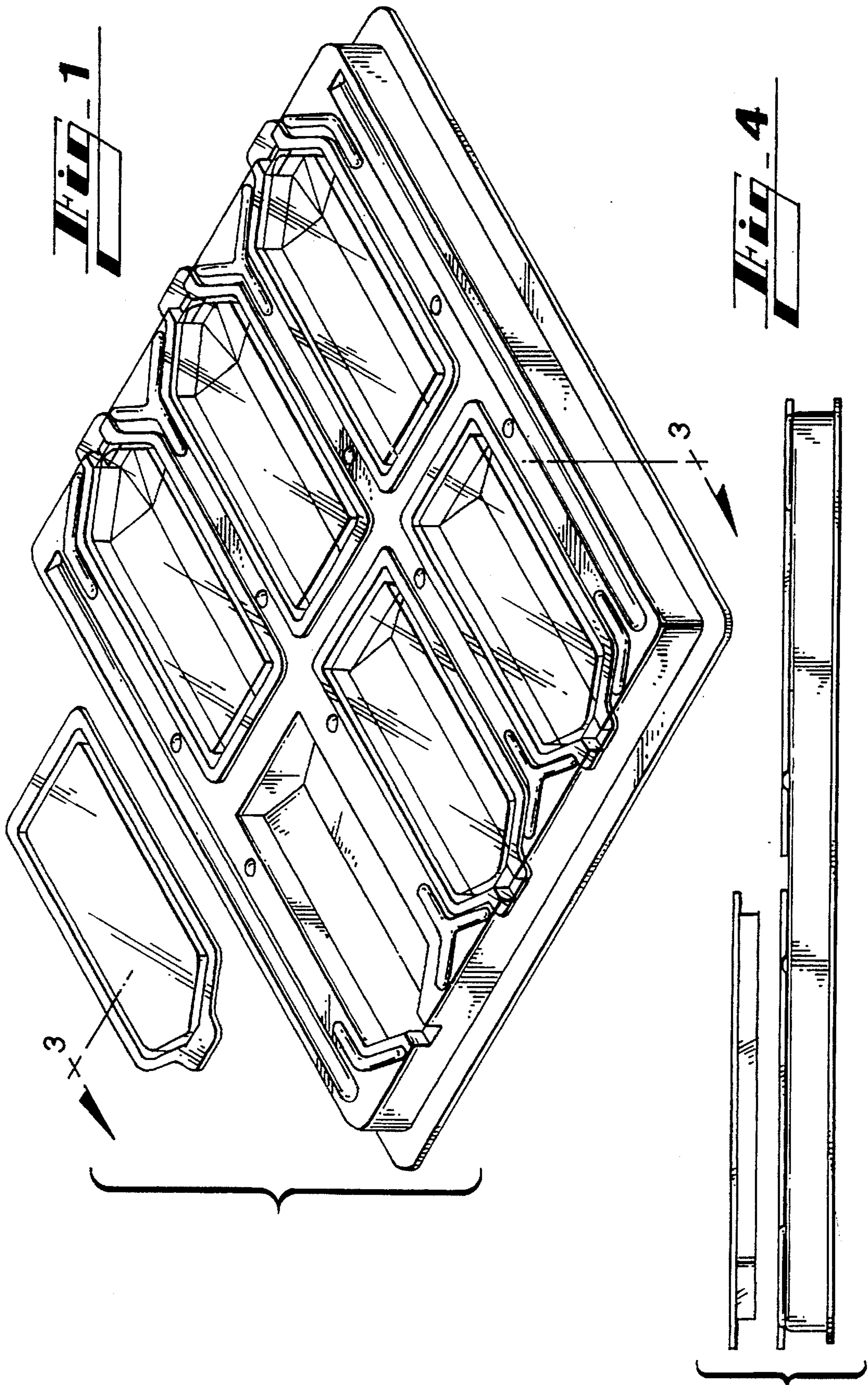
### [56] References Cited

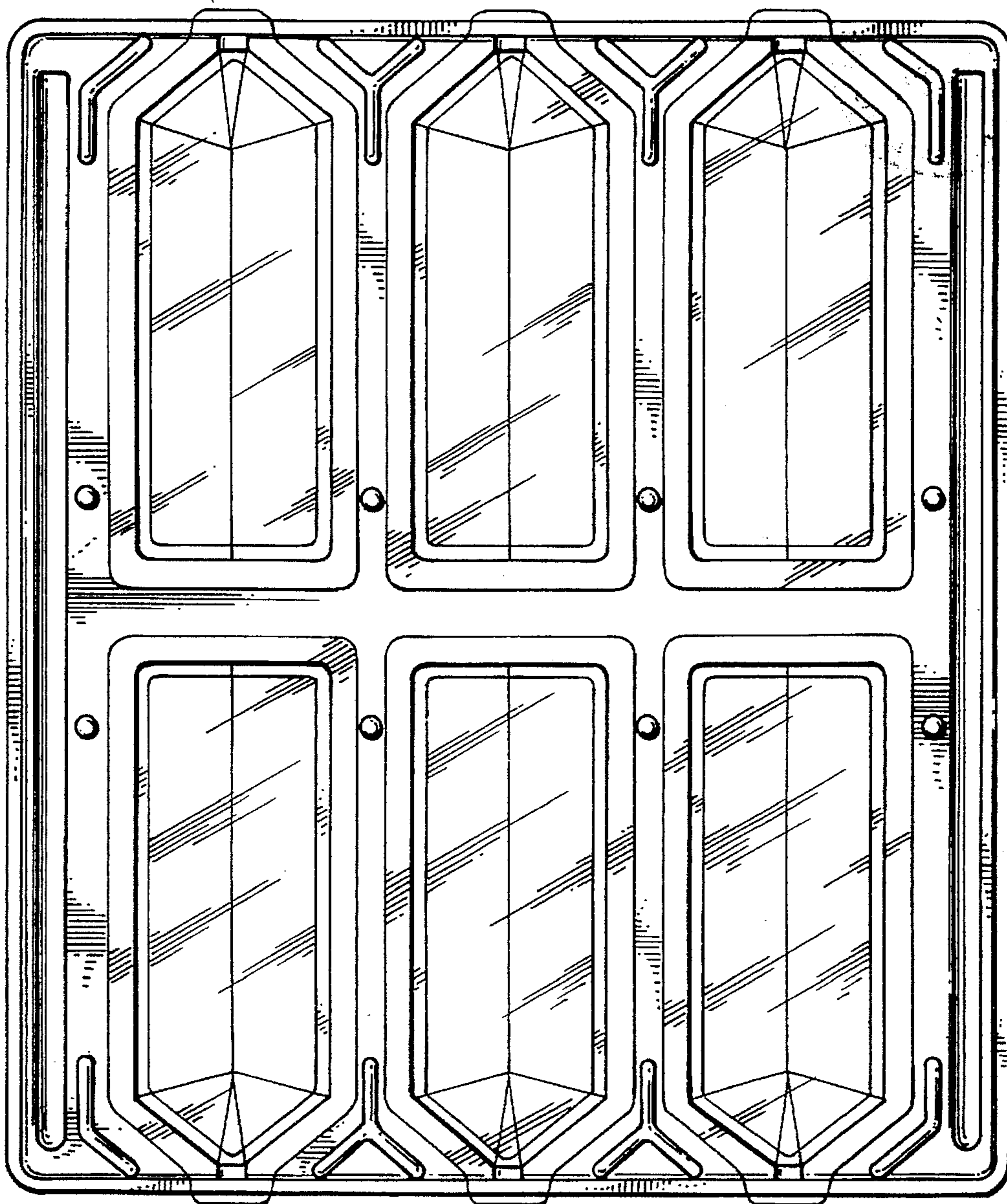
#### U.S. PATENT DOCUMENTS

D. 238,536	1/1976	Scherzer	.....	D6/510
D. 247,647	3/1978	Huber	.....	D3/313
D. 278,253	4/1985	Evenson	.....	D3/313 X
D. 361,508	8/1995	Schnack	.....	D9/341
3,502,241	3/1970	Smith	.	

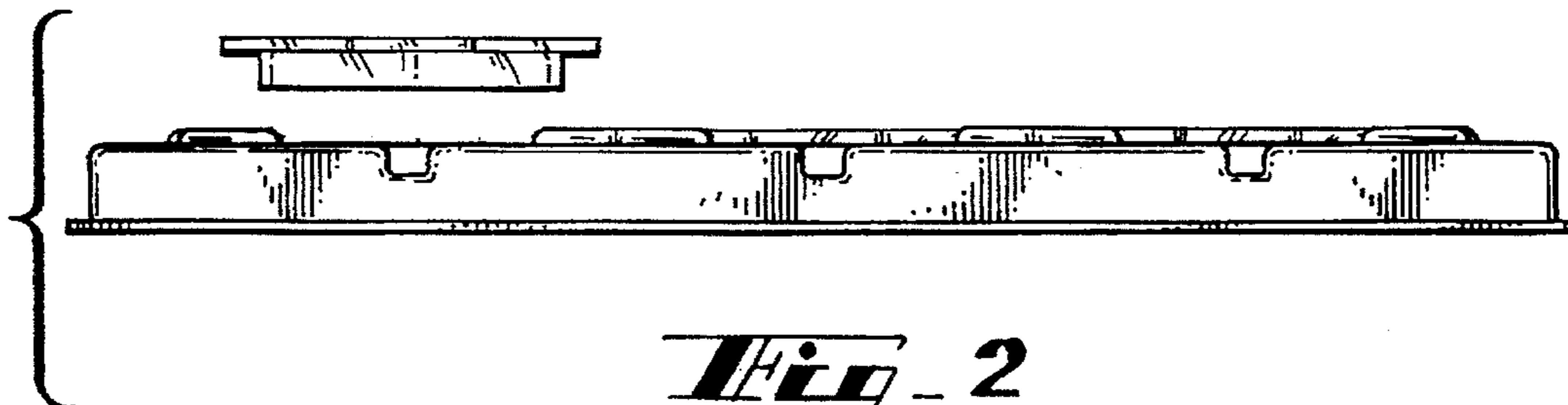
**1 Claim, 3 Drawing Sheets**



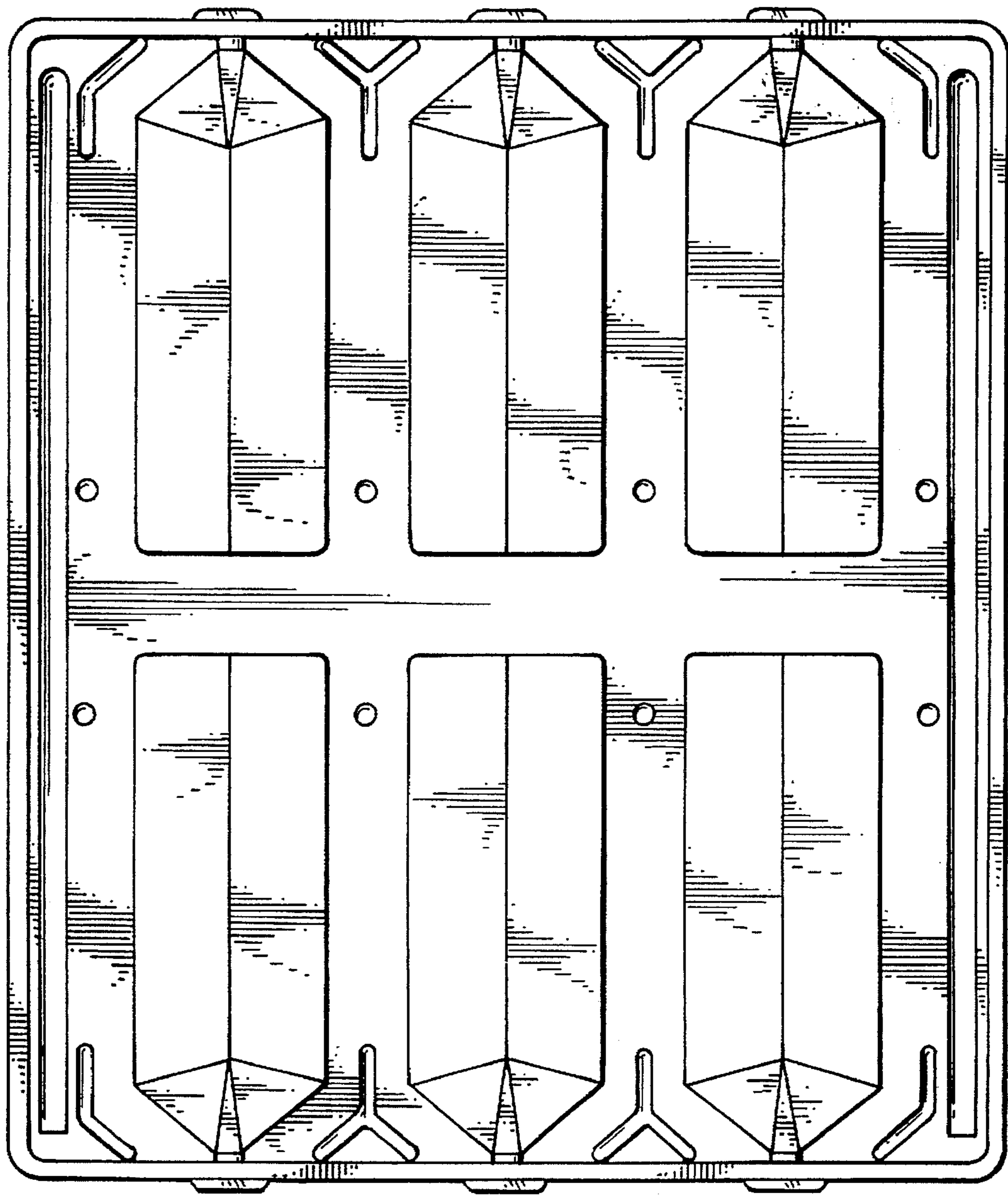




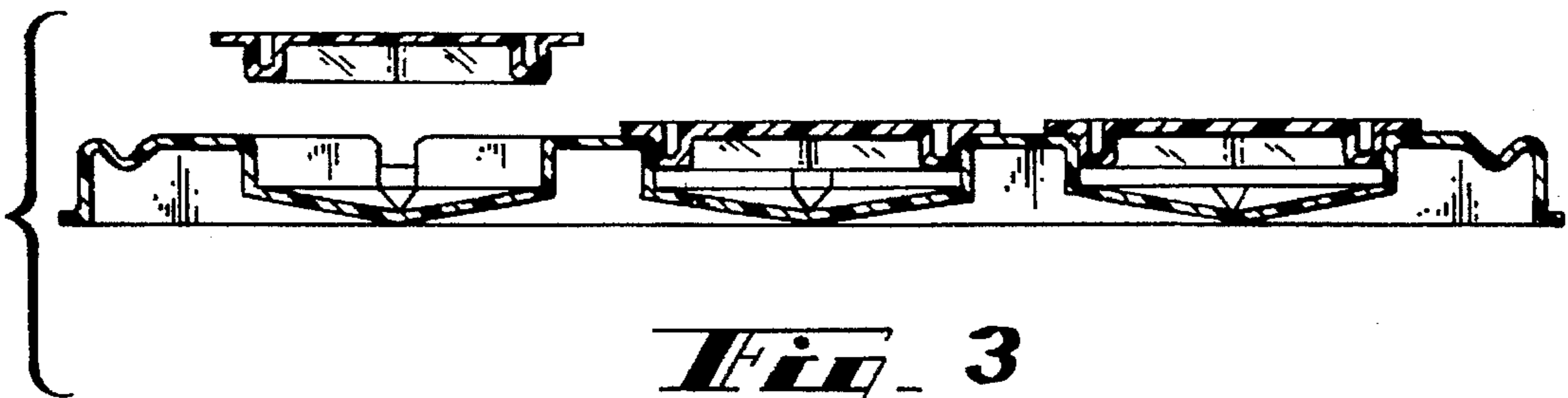
**Fig. 5**



**Fig. 2**



*Fig.* 6



*Fig.* 3